

# Haier



## User Manual

### Refrigerator- Freezer

HSW59F18DIMM

HSW79F18DIPT

**WARNING: Risk of fire/flammable material****EN**

The symbol indicates there is a risk of fire since flammable materials are used. Take care to avoid causing a fire by igniting flammable material.

**VAROVÁNÍ: Nebezpečí Požáru/Hořlavého Materiálu****CZ**

Symbol označuje riziko požáru, protože byly použity hořlavé materiály. Dbejte na to, aby nedošlo ke vzniku požáru zapálením hořlavého materiálu.

**WARNUNG: Brandgefahr/brennbares Material****DE**

Das Symbol weist auf Brandgefahr hin, da brennbare Materialien verwendet werden. Verhindern Sie die Entstehung von Branden, die durch entflammbare Materialien verursacht werden.

**ADVERTENCIA: Riesgo de incendio o material inflamable****ES**

El símbolo indica que existe riesgo de incendio, dado que se utilizan materiales inflamables. Se debe procurar evitar incendios mediante la combustión de materiales inflamables.

**ATTENTION : Risque d'incendie ou de matières inflammables****FR**

Le symbole montre qu'il y'a le risque de matériaux inflammables sont utilisés. Prendre soin d'éviter de provoquer un incendie en ingérant des matières inflammables.

**FIGYELEM: Tűz / gyúlékony anyag veszélye****HU**

A szimbólum azt jelzi, hogy tűzveszély áll fenn, mivel gyúlékony anyagokat használnak. Ügyeljen arra, hogy ne tegyen rá tűzveszélyes gyúlékony anyagot.

**ATTENZIONE: Rischio di incendio/materiale infiammabile****IT**

Il simbolo indica il rischio di incendio nel caso d'utilizzo di materiali infiammabili. Fare attenzione ed evitare l'insorgere di incendi a causa della combustione di materiali infiammabili.

**WAARSCHUWING: Brandrisico/ brandbaar materiaal****NL**

Het systeem geeft aan dat er een brandrisico bestaat aangezien brandbaar materiaal wordt gebruikt. Zorg ervoor dat er geen brand wordt veroorzaakt door brandbaar materiaal te ontsteken.

**OSTRZEZENIE: Ryzyko pożaru/materiał łatwopalny****PL**

Symbol wskazuje, że istnieje ryzyko pożaru, ponieważ używane są materiały łatwopalne. Dbaj o to, aby uniknąć pożaru poprzez zapale nie łatwopalnego materiału.

**AVISO: Risco de incêndio e material inflamável****PT**

O símbolo indica que existe um risco de incêndio, uma vez que são utilizados materiais inflamáveis. Tenha cuidado para evitar provocar um incêndio acendendo material inflamável.

**AVERTISMENT: Risc de incendiu/material inflamabil****RO**

Simbolul indica ca exista risc de incendiu deoarece sunt folosite materiale inflamabile. Aveți grijă si evitați incendiile aprinzând materiale inflamabile.

**ADVARSSEL: Brandfare/brændbart materiale****DA**

Symbolet viser, at der er brandfare, da der er anvendt brændbart materiale. Sørg for at undgå en brand som følge af antændelse af brændbart materiale.

**ΠΡΟΕΙΔΟΠΟΙΗΣΗ: Κίνδυνος πυρκαγιάς/εύφλεκτα υλικά** **EL**

Το σύμβολο υποδεικνύει ότι υπάρχει κίνδυνος πυρκαγιάς, καθώς χρησιμοποιούνται εύφλεκτα υλικά. Επιδείξτε προσοχή για την αποτροπή της πρόκλησης πυρκαγιάς εξαιτίας των εύφλεκτων υλικών.

**HOIATUS! Kohalduvad tulekahju / tuleohtlike materjalidega seotud ohud** **ET**

Sümbol näitab tuleohtu, kuna kasutatakse tuleohtlikke materjale. Pöörake tähelepanu tuleohtlike materjalide süttimisega kaasnevale tulekahju ohule.

**VAROITUS: Tulipalon vaara / syttyvää materiaalia** **FI**

Symboli osoittaa tulipalon vaaraa, joka johtuu käytetyistä syttyvistä materiaaleista. Varo, ettet aiheuta tulipaloa sytyttämällä syttyvää materiaalia.

**ĮSPĖJIMAS. Gaisro / degių medžiagų pavojus** **LT**

Šis simbolis rodo, kad yra gaisro pavojus, nes naudojami degios medžiagos. Saugokitės, kad nekiltų gaisras užsidegus degioms medžiagoms.

**BRĪDINĀJUMS. Aizdeģšanās risks / uzliesmojoši materiāli** **LV**

Šis simbols norāda, ka pastāv aizdegšanās risks, jo tiek izmantoti uzliesmojoši materiāli. Nepieļaujiet uzliesmojoša materiāla aizdegšanos, lai netiktu izraisīts ugunsgrēks.

**ADVARSEL: Fare for brann/brennbart materiale** **NO**

Symbolet angir at det er fare for brann siden brannfarlige materialer er brukt. Vær forsiktig så du unngår å forårsake brann ved å isolere brannfarlige materialer.

**VARNING: Risk för brand/brandfarliga material** **SV**

Symbolen indikerar att det finns en brandrisk eftersom brandfarliga material används. Var försiktig för att undvika att brandfarliga material fattar eld.







# Contents

---

Safety information .....	6
Intended use .....	11
Product description .....	12
Control panel .....	13
Use .....	14
Equipment.....	27
Care and cleaning .....	29
Troubleshooting .....	34
Installation .....	38
Technical data .....	43
Customer service.....	45



Thank you



## Thank you for purchasing a Haier Product.

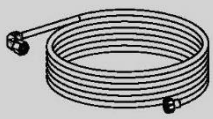
Please read these instructions carefully before using this appliance. The instructions contain important information which will help you get the best out of the appliance and ensure safe and proper installation, use and maintenance.

Keep this manual in a convenient place so you can always refer to it for the safe and proper use of the appliance.

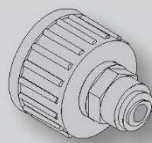
If you sell the appliance, give it away, or leave it behind when you move house, make sure you also pass this manual so that the new owner can become familiar with the appliance and safety warnings.

## Accessories

Check the accessories and literature in accordance with this list:



\*Water pipe



\*Water connector



Energy lable



Warranty card



Quick guide



**WARNING - Important Safety information**



**NOTICE-General information and tips**



**Environmental information**



**Disposal**

Help protect the environment and human health. Put the packaging in applicable containers to recycle it. Help to recycle waste of electrical and electronic appliances. Do not dispose appliances marked with this symbol with the household waste. Return the product to your local recycling facility or contact your municipal office.



**WARNING!**

Risk of injury or suffocation!

Refrigerants and gases must be disposed of professionally. Ensure that the tubing of the refrigerant circuit is not damaged before being properly disposed of. Disconnect the appliance from the mains supply. Cut off the mains cable and dispose of it. Remove the trays and drawers as well as the door catch and seals, to prevent children and pets to get closed in the appliance.



## Before switching on the appliance for the first time read the following safety hints!:



### WARNING!

#### Before first use

- ▶ Make sure there is no transport damage.
- ▶ Remove all packaging and keep out of children's reach.
- ▶ Wait at least two hours before installing the appliance in order to ensure the refrigerant circuit is fully efficient.
- ▶ Handle the appliance always with at least two persons because it is heavy.

#### Installation

- ▶ The appliance should be placed in a well-ventilated place. Ensure a space of at least 10 cm above and around the appliance.
- ▶ Never place the appliance in a damp area or location where it might be splashed with water. Clean and dry water splashes and stains with a soft clean cloth.
- ▶ Do not install the appliance in direct sunlight or in the near of heat sources (e.g. stoves, heaters).
- ▶ Install and level the appliance in an area suitable for its size and use.
- ▶ Keep ventilation openings in the appliance or in the in-built structure clear of obstruction.
- ▶ Make sure that the electrical information on the rating plate agrees with the power supply. If it does not, contact an electrician.
- ▶ The appliance is operated by a 220-240 VAC/50 Hz power supply. Abnormal voltage fluctuation may cause the appliance to fail to start, or damage to the temperature control or compressor, or there may be an abnormal noise when operating. In such case, an automatic regulator shall be mounted.
- ▶ Do not use multi-plug adapters and extension cables.
- ▶ Do not locate multiple portable socket-outlets or portable power supplies at the rear of the appliance.
- ▶ Ensure that the power cable is not trapped by the refrigerator. Do not step on the power cable.



## WARNING!

- ▶ Use a separate earthed socket for the power supply which is easy accessible. The appliance must be earthed.  
Only for UK: The appliance's power cable is fitted with 3-cord (grounding) plug that fits a standard 3-cord (grounded) socket. Never cut off or dismount the third pin (grounding). After the appliance is installed, the plug should be accessible.

- ▶ Do not damage the refrigerant circuit.

### Daily use

- ▶ This appliance can be used by children aged from 8 years and above and persons with reduced physical, sensory or mental capabilities or lack of experience and knowledge if they have been given supervision or instruction concerning use of the appliance in a safe way and understand the hazards involved.
- ▶ Children aged from 3 to 8 years are allowed to load and unload, but not allowed to clean or install the refrigerating appliances.
- ▶ Keep away children under 3 years of age from the appliance unless they are constantly supervised.
- ▶ Children shall not play with the appliance.
- ▶ If coal gas or other inflammable gas is leaking in the vicinity of the appliance, turn off the valve of the leaking gas, open the doors and windows and do not unplug a plug in the power cable of the refrigerator or any other appliance.
- ▶ Notice that the appliance is set for operation at a specific ambient range between 10 and 38°C. The appliance may not work properly if it is left for a long period at a temperature above or below the indicated range.
- ▶ Do not place unstable articles (heavy objects, containers filled with water) on top of the refrigerator, to avoid personal injury caused by falling or electric shock caused by contact with water.
- ▶ Do not pull on the door shelves. The door may be pulled slant, the bottle rack, may be pulled away, or the appliance may topple.
- ▶ Open and close the doors only with the handles. The gap between the doors and between the doors and the cabinet is very narrow. Do not extend your hands in these areas to avoid pinching your fingers. Open or close the refrigerator doors only when there are no children standing within the range of door movement.



### WARNING!

- ▶ Do not store or use inflammable, explosive or corrosive materials in the appliance or in the vicinity.
- ▶ Do not store medicines, bacteria or chemical agents in the appliance. This appliance is a household appliance. It is not recommended to store materials that require strict temperatures.
- ▶ Never store liquids in bottles or cans (besides high percentage spirits) especially carbonated beverages in the freezer, as these will burst during freezing.
- ▶ Check the condition of food if a warming in the freezer has taken place.
- ▶ Do not set unnecessarily low temperature in the refrigerator compartment. Minus temperatures may occur at high settings. Attention: Bottles can burst
- ▶ Do not touch frozen goods with wet hands (wear gloves). Especially do not eat ice lollies immediately after removal from the freezer compartment. There is the risk to freeze or the formation of frost blisters. FIRST aid: keep immediately under running cold water. Do not pull away!
- ▶ Do not touch the inside surface of the freezer storage compartment when in operation, especially with wet hands, as your hands may freeze onto the surface.
- ▶ Unplug the appliance in the event of a power interruption or before cleaning. Allow at least 7 minutes before restarting the appliance, as frequent starting may damage the compressor.
- ▶ Do not use electrical devices inside the food storage compartments of the appliance, unless they are of the type recommended by the manufacturer. Maintenance / cleaning
- ▶ Make sure children are supervised if they carry out cleaning and maintenance.
- ▶ Disconnect the appliance from the electrical supply before undertaking any routine maintenance. Allow at least 5 minutes before restarting the appliance, as frequent starting may damage the compressor.



### WARNING!

- ▶ Hold the plug, not the cable, when unplugging the appliance.
- ▶ Do not clean the appliance with hard brushes, wire brushes, detergent powder, petrol, amyl acetate, acetone and similar organic solutions, acid or alkaline solutions. Please clean with special refrigerator detergent to avoid damage.
- ▶ Do not scrape off frost and ice with sharp objects. Do not use sprays, electric heaters like heater, hair dryer, steam cleaners or other sources of heat in order to avoid damage to the plastic parts.
- ▶ Do not use mechanical devices or other means to accelerate the defrosting process, other than those recommended by the manufacturer.
- ▶ If the supply cord is damaged, it must be replaced by the manufacturer, its service agent or similarly qualified persons in order to avoid a hazard.
- ▶ Do not try to repair, disassemble or modify the appliance by yourself. In case of repair please contact our customer service.
- ▶ Eliminate the dust on the back of the unit at least once in the year to avoid hazard by fire, as well as increased energy consumption.
- ▶ Do not spray or flush the appliance during cleaning.
- ▶ Do not use water spray or steam to clean the appliance.
- ▶ Do not clean the cold glass shelves with hot water. Sudden temperature change may cause the glass to break.

## Refrigerant gas information



### WARNING!

The appliance contains the flammable refrigerant ISOBUTANE (R600a). Make sure the refrigerant circuit is not damaged during transportation or installation. Leaking refrigerant may cause eye injuries or ignite. If a damage has occurred, keep away open fire sources, thoroughly ventilate the room, do not plug or unplug the power cords of the appliance or any other appliance. Inform the customer service.

In case of eyes get into contact with the refrigerant, rinse immediately it under running water and call immediately the eye specialist.



## Intended use

This appliance is intended for cooling and freezing food. It has been designed exclusively for use in household and similar applications such as staff kitchen areas in shops, offices and other working environments; farm houses and by clients in hotels, motels and other residential type environments as well as in bed-and-breakfast and catering business. It is not intended for commercial or industrial use.

Changes or modifications to the device are not allowed. Unintended use may cause hazards and loss of warranty claims.

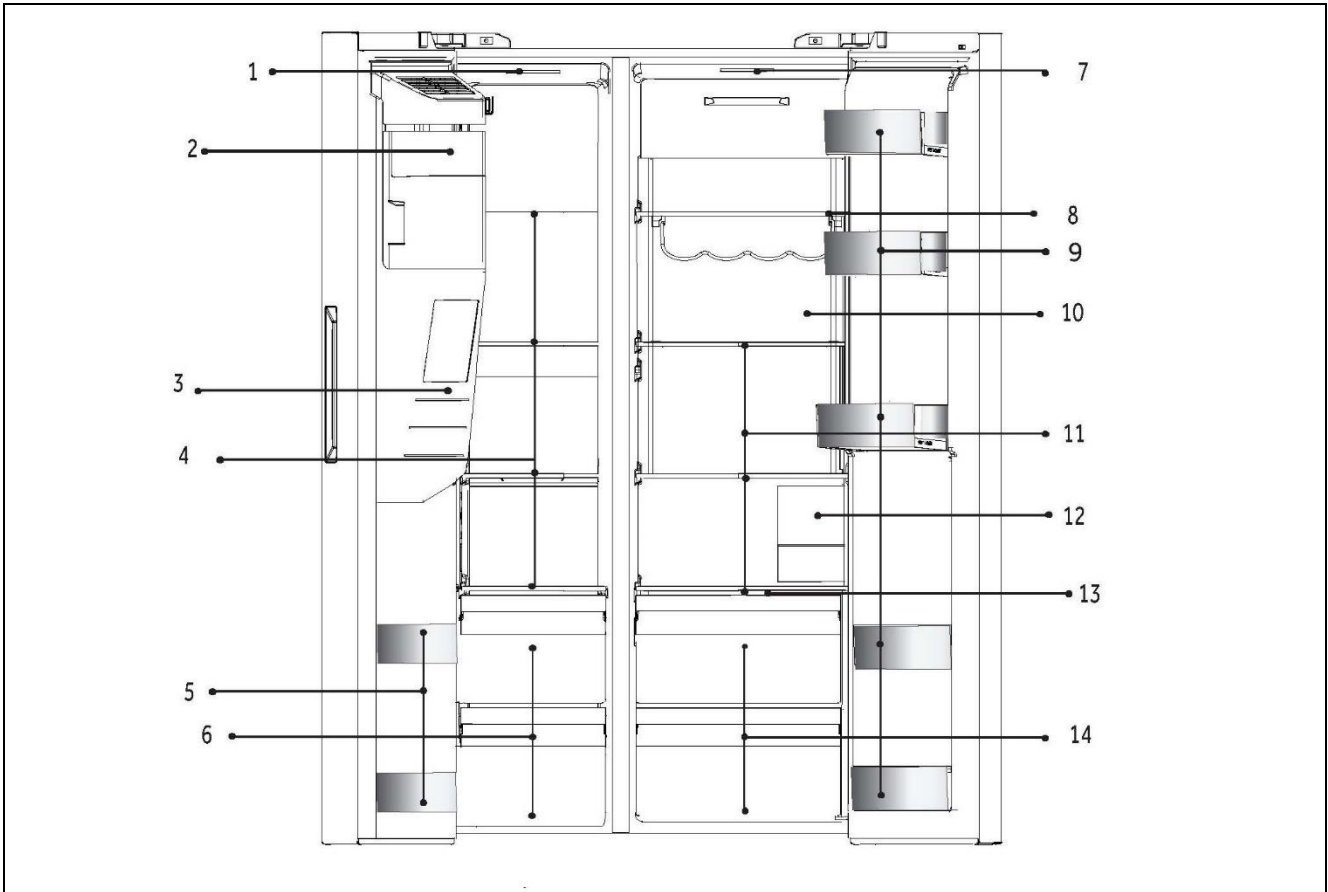
## Standards and directives and

This product meets the requirements of all applicable EC directives with the corresponding harmonised standards and UK standards, which provide for CE and UKCA marking.



## **i** Notice

Due to technical changes and different models, some of the illustrations in this manual may differ from your model.



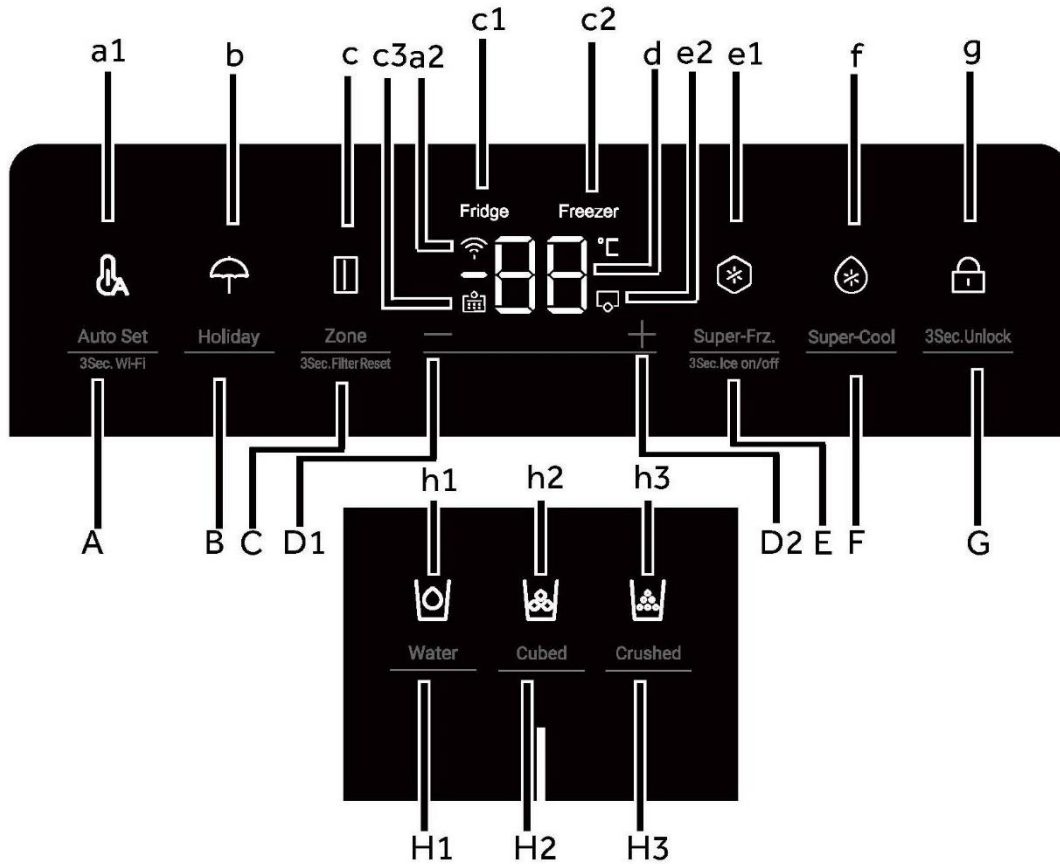
A: Freezer compartment

- 1 Ceiling lamp
- 2 Ice maker with ice container
- 3 Water and ice dispenser
- 4 Glass shelves
- 5 Bottle holder
- 6 Drawers

B: Refrigerator compartment

- 7 Ceiling lamp
- 8 Wine rack
- 9 Bottle holder
- 10 Back lamp(HSW79F18DIPT)
- 11 Glass shelves
- 12 Water filter
- 13 Wet zone cover plate
- 14 Drawers

## Control panel



### Keys:

- A Auto Set function/3Sec.Wi-Fi
- B Holiday function
- C Zone selection/3Sec.Filter Reset
- D1 Temperature adjustment button
- D2 Temperature adjustment button "+"
- E Super-Freeze function/3Sec. Ice on/ off
- F Super-Cool function
- G Panel lock selector
- H1 Water intake function selector
- H2 Cubed ice function selector
- H3 Crushed ice function selector

### Indicators:

- a1 Auto Set mode
- a2 Wi-Fi function
- b Holiday mode
- c Zone indicator
- c1 Fridge indicator
- c2 Freezer indicator
- c3 Filter reset function
- d Temperature display
- e1 Super-Freeze mode
- e2 Ice Maker mode
- f Super-Cool mode
- g Panel lock
- h1 Water intake function
- h2 Cubed ice function
- h3 Crushed ice function



## Before first use

- ▶ Remove all packaging materials, keep them out of children's reach and dispose them in an environmentally friendly manner.
- ▶ Clean the inside and outside of the appliance with water and a mild detergent before putting any food in it.
- ▶ After the appliance has been levelled and cleaned, wait for at least 2-5 hours before connecting it to the power supply. See Section INSTALLATION.
- ▶ Precool the compartments at high settings before loading with food. The function Power- Freeze helps to cool down the compartments quickly.
- ▶ The refrigerator temperature and freezer temperature are automatically set to 5°C and -18°C respectively. These are the recommended settings. If desired, you can change these temperatures manually. Please see ADJUST THE TEMPERATURE.

## Sensor keys

The buttons on the control panel are sensor keys, which already respond when lightly touched with the finger.

## Switch on /of the appliance

The appliance is in operation as soon as it is connected to the power supply.

The temperatures displayed will show the setting temperatures in the compartment.

Maybe the panel lock is active.



### Notice

When the appliance is switched on after disconnection from the main power supply, it may take up to 12 hours for the correct temperatures to be reached.

Empty the appliance before switching off. To switch off the appliance, pull the power cord out off the power socket.

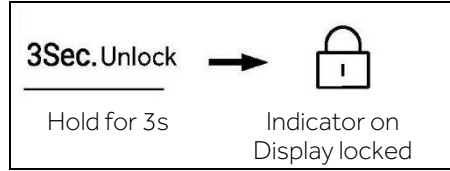


### NOTICE

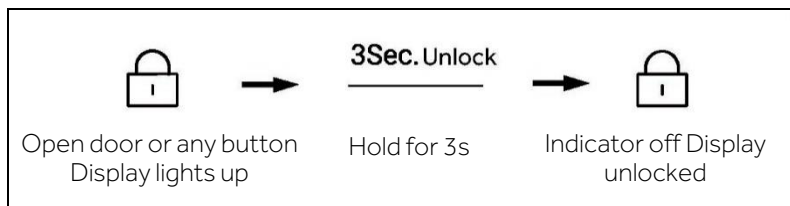
When the refrigerator is first powered on, the indicator illuminates. The fridge temperature and freezer temperature are automatically set to 5° C and -18° C respectively.

## Lock/unlock panel

1. Automatic lock: When the fridge door, freezer door are closed and there is no key operation within 30 seconds, the display screen will be automatically extinguished and locked



2. Manual lock: When the display screen is unlocked, press the button "G" (Panel lock selector) and hold for 3 seconds, the buzzer rings once, the indicator "g" (Panel lock) illuminates, and the display is locked.



## Adjust the temperature

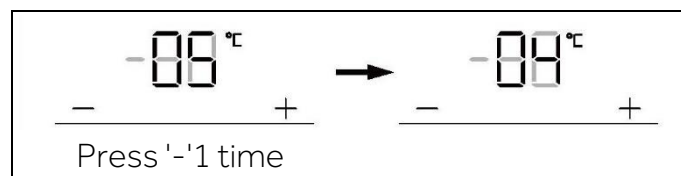
The indoor temperatures are influenced by the following factors:

- ▶ Ambient temperature
- ▶ Frequency of door opening
- ▶ Amount of stored foods
- ▶ Installation of the appliance

## Adjust the temperature for fridge

1. When the display screen is unlocked, press the button "C" (Zone selector). The buzzer rings once, the indicator "c1" (Fridge indicator) flashes, and then here comes the temperature setting mode of the fridge.

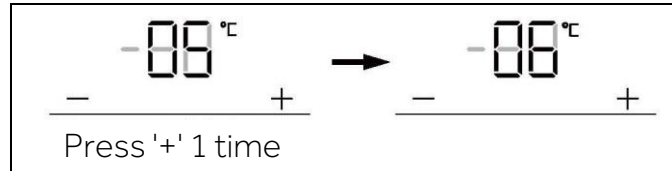
2. Press the button "D1" (Temperature adjustment button "-") every time, the buzzer rings once, the set temperature of the fridge will be reduced by 1. The fridge temperature will display in the sequence of "9°C > 8°C > 7°C > 6°C > 5°C > 4°C > 3°C > 2°C > 1 °C".





### Adjust the temperature for fridge

3. Press the button "D2" (Temperature adjustment button "+") every time, the buzzer rings once, the set temperature of the fridge will be increased by 1. The fridge temperature will display in the sequence of "1°C > 2°C > 3°C > 4°C > 5°C > 6°C > 7°C > 8°C > 9°C"



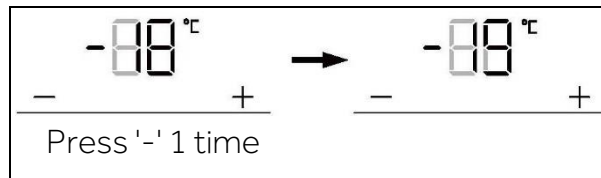
### Notice

After setting the temperature, if there is no operation within 5 seconds, the system will be automatically determined and save the set temperature.

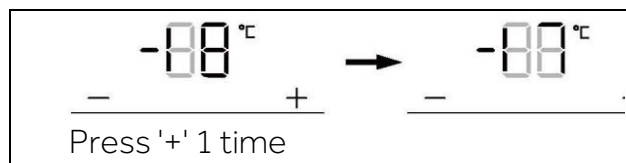
### Adjust the temperature for freezer

1. When the display screen is unlocked, press the button "C" (Zone selector). The buzzer rings once, the indicator "c2" (Freezer indicator) flashes, and then here comes the temperature setting mode of the freezer.

2. Press the button "D1" (Temperature adjustment button "-") every time, the buzzer rings once, the set temperature of the freezer will be reduced by 1. The freezer temperature will display in the sequence of "-14°C > -15°C > -16°C > -17°C > -18°C > -19°C > -20°C > -21°C > -22°C > -23°C > -24°C".



3. Press the button "D2" (Temperature adjustment button "+") every time, the buzzer rings once, the set temperature of the freezer will be increased by 1. The freezer temperature will display in the sequence of "-24°C > -23°C > -22°C > -21°C > -20°C > -19°C > -18°C > -17°C > -16°C > -15°C > -14°C".

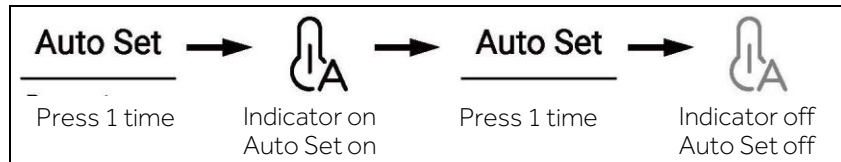


### Notice

After setting the temperature, if there is no operation within 5 seconds, the system will be automatically determined and save the set temperature.

## Auto Set mode

1. When the display screen is unlocked, press the button "A" (Auto Set mode selector), the buzzer rings once, the indicator "a1" (Auto Set mode) illuminates, and then the Auto Set function will be turned on.
2. When the indicator "a1" (Auto Set mode) illuminates, press the button "A" (Auto Set mode selector), the buzzer rings once, the indicator "a1" (Auto Set mode) goes off, and then the Auto Set function will be turned off



## Notice

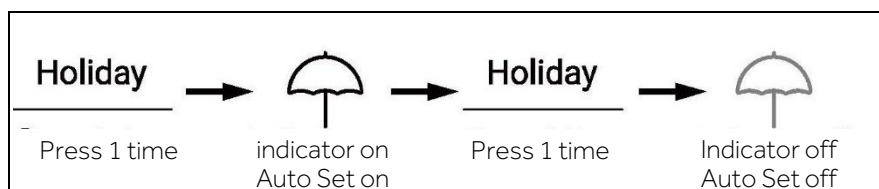
In Auto Set mode, the fridge or freeze temperature cannot be adjusted. If either button "D1" (Temperature adjustment button "-") or button "D2" (Temperature adjustment button "+") is pressed to adjust the temperature of fridge or freezer, the indicator "a1" (Auto Set indicator) will flash with a prompt sound to indicate that this operation cannot be carried out.

In Auto Set mode, due to different control methods, if the "Super-Cool", "Super-Freeze" or "Holiday function is set, the indicator "a1" (Auto Set mode) goes off, and then the Auto Set function will automatically exit.

## Holiday mode

Holiday mode is designed for not using the fridge for a long time. When the Holiday mode is turned on, the freezer is under normal control, and the temperature of fridge is automatically set to be 17°C. The actual temperature is not higher than 17°C, which prevents peculiar smell caused by overtemperature, and helps reduce energy consumption at the same time.

1. When the display screen is unlocked, press the button "B" (Holiday mode selector), the buzzer rings once, the indicator "b" (Holiday mode) illuminates, and then the Holiday function will be turned on.
2. When the indicator "b" (Holiday mode) illuminates, press the button "B" (Holiday mode selector), the buzzer rings once, the indicator "b" (Holiday mode) goes off, and then the Holiday function will be turned off





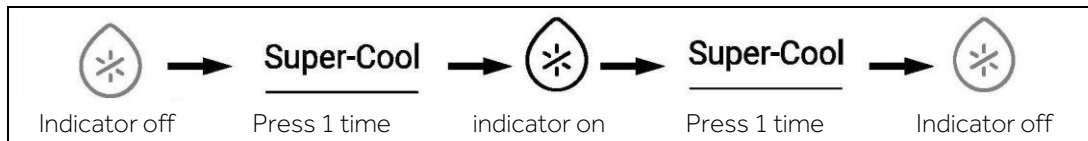
## **i** Notice

Under Holiday state, the fridge temperature cannot be adjusted. If either button "D1" (Temperature adjustment button or button "D2" (Temperature adjustment button "+") is pressed to adjust the temperature of fridge, the indicator "b" (Holiday indicator) will flash with a prompt sound to indicate that this operation cannot be carried out.

Before using the Holiday function, please empty the fridge to prevent food goes bad in it. When the Holiday function is turned on, either "Auto Set" function or "Super-Cool" function cannot be turned on at the same time.

### Super-Cool function

1. When the display screen is unlocked, press the button "F" (Super-Cool selector), the buzzer rings once, the indicator "f" (Super-Cool function) illuminates, and then the Super-Cool function will be turned on.
2. When the indicator "f" (Super-Cool function) illuminates, press the button "F" (Super-Cool selector), the buzzer rings once, the indicator "f" (Super-Cool function) goes off and then the Super-Cool function will be turned off.
3. After the Super-Cool function is turned on, the refrigerator will automatically turn off the function when it reaches the set condition. If you want to exit manually, you can press the button "F" (Super-Cool selector) to turn it off.



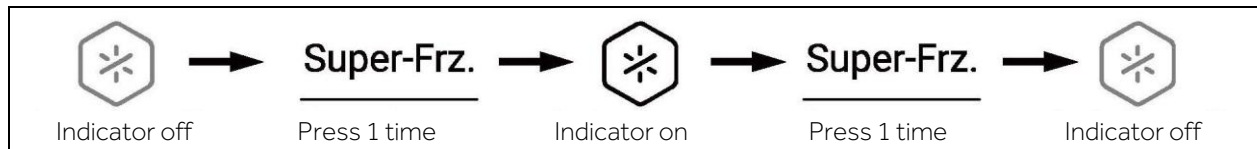
## **i** Notice

Under Super-cool state, the fridge temperature cannot be adjusted. If either button "D1" (Temperature adjustment button "-") or button "D2" (Temperature adjustment button "+") is pressed to adjust the temperature of fridge, the indicator "f" (Super-Cool indicator) will flash with a prompt sound to indicate that this operation cannot be carried out.

In the state of Super-cool function, the Auto-set function or Holiday function cannot be turned on at the same time due to different control modes. When you choose one function that conflicts with another function, the original function will automatically exit.

### Super-Freeze function (Super-Frz)

1. When the display screen is unlocked, press the button "E" (Super-Frz. selector), the buzzer rings once, the indicator "e1" (Super-Freeze function) illuminates, and then the Super-Freeze function will be turned on.
2. When the indicator "e1" (Super-Freeze function) illuminates, press the button "E" (Super-Frz. selector), the buzzer rings once, the indicator "e1" (Super-Freeze function) goes off and then the Super-Freeze function will be turned off
3. After the Super-Freeze function is turned on, the refrigerator will automatically turn off the function when it reaches the set condition. If you want to exit manually, you can press the button "E" (Super-Frz. selector) to turn it off.



### Notice

Under Super-Freeze state, the freezer temperature cannot be adjusted. If either button "D1" (Temperature adjustment button "-") or button "D2" (Temperature adjustment button "+") is pressed to adjust the temperature of freezer, the indicator "e1" (Super-Frz. indicator) will flash with a prompt sound to indicate that this operation cannot be carried out.

In the state of Super-Freeze function, the Auto-set function cannot be turned on at the same time due to different control modes. When you choose one function that conflicts with another function, the original function will automatically exit.

### Filter function

When the refrigerator operates for six months, the reminder indicator "c3" (Filter Reset function) will light up to remind users to replace with a new filter. When filter is replaced, hold the button "C" (Filter Reset function selector) for 3 seconds to cancel the reminder, the timing will reset with buzzer ringing.



### Notice

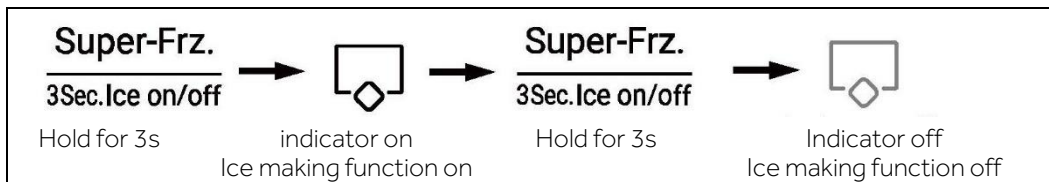
The normal service life of filter is six months. It is recommended to replace the filter every six months.





### Ice maker mode

1. Under unlocked state, press the button "E" (Ice maker mode selector) and hold for 3 seconds, the buzzer rings once, the indicator "e2" (Ice maker mode) illuminates, and then the ice maker mode will be turned on.
2. When the indicator "e2" (Ice maker mode) illuminates, press the button "E" (Ice maker mode selector) and hold for 3 seconds, the buzzer rings once, the indicator "e2" (Ice maker mode) goes off, and then the ice maker mode will be turned off

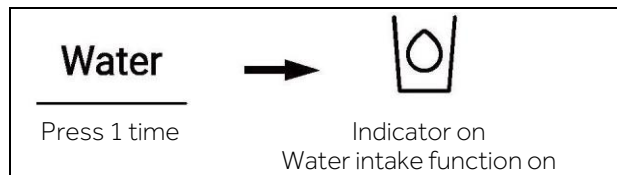


### Notice

When the application is powered on, the ice maker is off by default.  
 When you don't need ice cubes for a long period of time, please turn off the Ice Maker function, empty the container and insert the cleaned container.  
 The Icemaker can only be configured with manufacturer or purchased from its service agent.

### Water intake function

Under any state (locked or unlocked), press the button "H1" (Water intake function selector), the buzzer rings once, the indicator "h1" (Water intake function) illuminates, and then the water intake function will be turned on.

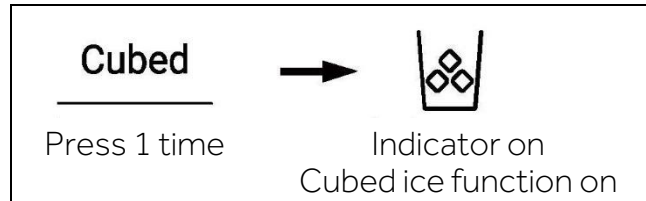


### Notice

1. When the indicator "h1" (Water intake function) illuminates, the indicator "h2" (Cubed ice function) and the indicator "h3" (Crushed ice function) go off. After the dispenser paddle is pressed, water will flow out of the intake port.
2. When the water intake time reaches 150s, the refrigerator will beep and keep water until the time reaches 180s, the water will be cut off and the water valve will enter the 200s protection time, and then water intake can be carried out again.
3. When the cumulative water intake time reaches 5min within 10min, the water valve enters the 10min protection time, and then water intake can be carried out again.

## Cubed ice function

Under any state (locked or unlocked), press the button "H2" (Cubed ice function selector), the buzzer rings once, the indicator "h2" (Cubed ice function) illuminates, and then the Cubed ice function will be turned on.

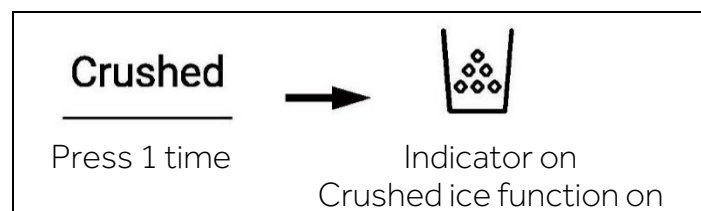


## Notice

1. When the indicator "h2" (Cubed ice function) illuminates, the indicator "h1" (Water intake function) and the indicator "h3" (Crushed ice function) go off. After the micro-switch of distributor is pressed, cubed ice will flow out of the intake port.
2. When the ice maker is firstly connected to electricity to operate, the Cubed ice function is turned off by default.
3. Press the micro-switch of dispenser, the light of it turns on with the cover of it open. Then, the motor of crushing ice starts to rotate anticlockwise to push ice cubes. Loosen the micro-switch of dispenser, the motor of crushing ice stops, the cover of dispenser will close and the light will go off after 5 seconds.
4. Under the state of Cubed ice, when Cubed ice time is longer than 50 seconds, there will be buzzer starting to alert (knocking) to notice users to shut it down. When the time reaches 1 minute, it is forced to stop Cubed ice, and it is effective when the switch is pressed next time.
5. During Cubed ice, if the fridge door is opened, the motor that delivering ice will stop, with the cover of dispenser closed, light of dispenser off and Cubed ice will be stopped.
6. it is forbidden to get ice with the fridge door open.

## Crushed ice function

Under any state (locked or unlocked), press the button "H3" (Crushed ice function selector), the buzzer rings once, the indicator "h3" (Crushed ice function) illuminates, and then the Crushed ice function will be turned on.



## Notice

When the indicator "h3" (Crushed ice function) illuminates, the indicator "h1" (Water intake function) and the indicator "h2" (Cubed ice function) go off. After the micro-switch of distributor is pressed, crushed ice will flow out of the intake port.

Press the micro-switch of dispenser, the light of it turns on with the cover of it open. Then, the motor of crushing ice starts to rotate clockwise to push ice cubes. Loosen the micro-switch of dispenser; the motor of crushing ice stops, the cover of dispenser will close and the light will go off after 5 seconds.

Under the state of Crushed ice, when Crushed ice time is longer than 50 seconds, there will be buzzer starting to alert (knocking) to notice users to shut it down. When the time reaches 1 minute, it is forced to stop Crushed ice, and it is effective when the switch is pressed next time.

During Crushed ice, if the fridge door is opened, the motor that delivering ice will stop, with the cover of dispenser closed, light of dispenser off, and Crushed ice will be stopped. It is forbidden to crush ice with the fridge door open.

### Door opening alarm

If any door is kept open too long or the door is not closed well, the refrigerator will raise beep alarm at set intervals to remind you to close the door in time.

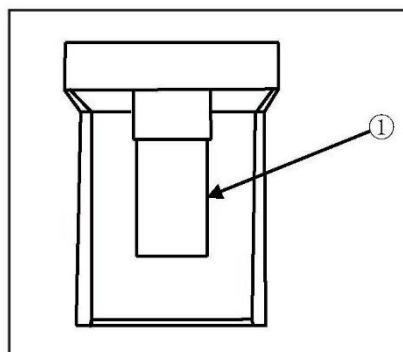
### Power off memory

The instantaneous working state of power off is remembered. After power on again, it still works according to the setting before power off

### Using the ice and water dispenser

Press the dispenser selection button repeatedly until the light above the indicator that you want illuminates.

Press the dispenser paddle (1) with a glass or other container to dispense cubed ice, water or crushed ice.



## TIPS ON STORING FRESH FOOD

### Storing into the fridge compartment

1. Keep your fridge temperature below 5°C.
2. Hot food must be cooled to room temperature before storing in the appliance.
3. Foods stored in the fridge should be washed and dried before storing.
4. Food to be stored should be properly sealed to avoid odour or taste alterations.
5. Do not store excessive quantities of food. Leave spaces between foods to allow cold air flowing around them, for a better and more homogeneous cooling
6. Foods eaten daily should be stored at the front of the shelf.
7. Leave a gap between foods and the inner walls, allowing air flow. Especially don 't store foods against the rear wall: foods could freeze against rear wall. Avoid direct contact of food (especially oily or acidic food) with the inner liner, as oil / acid can erode the inner liner. Clean away oily / acid dirt whenever it is found.
8. Defreeze frozen food in the fridge storage compartment. This way, you can use the frozen food to decrease the temperature in the compartment and save energy.
9. The ageing process of fruit and vegetables such as courgettes, melons, papaya, banana, pineapple, etc. can be accelerated in the fridge. The refore, it is not advisable to store them in the fridge. However, the ripening of strongly green fruits can be promoted for a certain period. Onions, garlic, ginger and other root vegetables should also be stored at room temperature.
10. Unpleasant odours inside the fridge are a sign that something has spilled and cleaning is required. See CARE AND CLEANING.
11. Different kinds of food should be placed in different areas according to their properties:

1-Butter, cheese etc.

2-Eggs, canned food, spices etc.

3/4/5-Drinks and bottled foods.

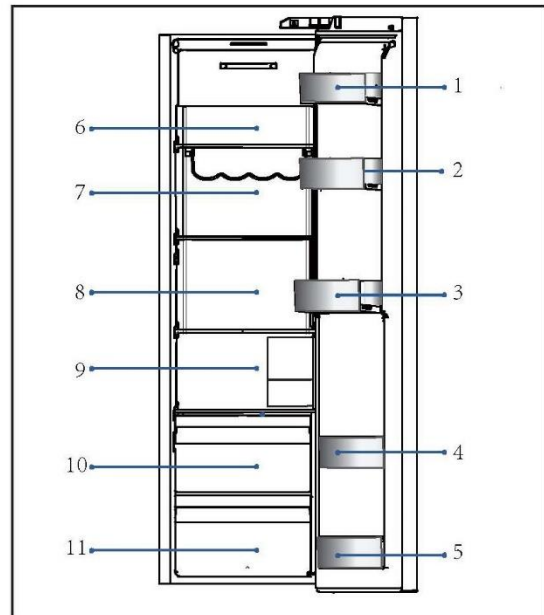
6-Pickled foods, canned food, etc

7/8-Meat products, fish, raw food

9-Cans, dairy products etc.

10-Fruits, vegetables, lettuce, etc

11-Cooked meat, sausages, etc.



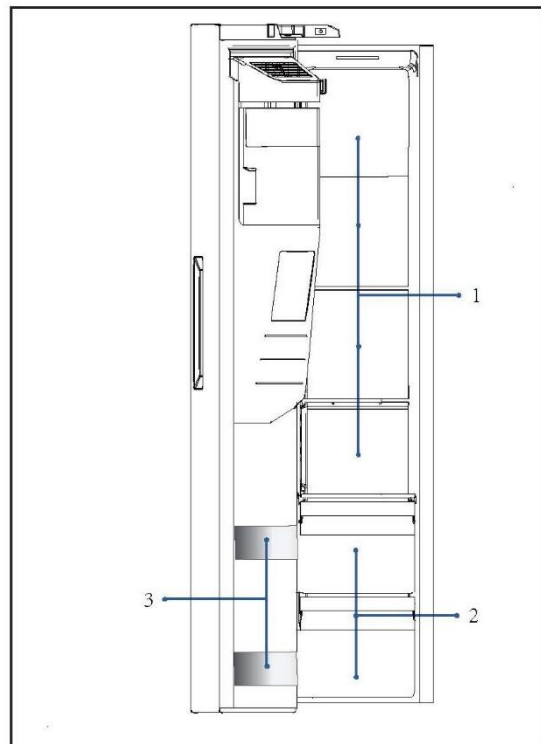


## TIPS ON STORING FRESH FOOD

### Storage into the freezer compartment

1. Keep the freezer temperature at  $-18^{\circ}\text{C}$ .
2. 12 hours before freezing additional items switch on the Super - Freeze function; for small quantities of food 4-6 hours are sufficient.
3. Hot food must be cooled to room temperature before storing in the freezer compartment.
4. Food cut into small portions will freeze faster and is easier to defrost and cook. The recommended weight for each portion is less than 2.5 kg.
5. It is better to pack food before putting it into the freezer. The outside of the packaging must be dry to avoid bags sticking together. Packaging materials should be odour - free, airtight, non - poisonous and nontoxic.
6. In order to avoid expiration of storage periods, please note the freezing date, time limit and name of the food on the packaging according to the storage periods of different foods.
7. **WARNING !:** Acid, alkali and salt etc. could erode the internal surface of the freezer. Do not place the food having these substances (e.g. sea fish) directly on the internal surface. Salt water in the freezer should be cleaned up immediately.
8. Do not exceed the food storage times recommended by the manufacturers. Only take the required amount of food out of the freezer.
9. Different kinds of food should be placed in different areas according to their properties:

- 1- Less weighty items, such as ice cream, vegetables, bread etc.
- 2- Large / heavier portions of food, such as meat joints for roasting
- 3- Pizza etc.





## NOTICE: STORAGE

1. Please keep a distance of more than 10 mm between the food and the sensor to ensure the cooling effect.
2. Please leave the lowest drawer in the appliance when it is working in order to ensure the cooling effect.
3. Food items that include ice (like ice cream etc.) should be stored inside the freezer compartment instead of in the bottle holders. The temperature changes the bottle holders are exposed to, caused by opening and closing the door, may thaw the food.
4. Consume defrosted food quickly. Defrosted food cannot be refrozen unless it is firstly cooked, otherwise it may become inedible.
5. Do not load excessive quantities of fresh food in the freezer compartment. Refer to the freezing capacity of the freezer - See TECHNICAL DATA or data at the type plate.
6. Food can be stored in the freezer at a temperature of at least  $-18^{\circ}\text{C}$  for 2 to 12 months, depending on its properties (e.g., meat:3-12 months, vegetables:6-12 months)
7. When freezing fresh food, avoid bringing it in contact with already frozen food. Risk of thawing!
8. Defreeze frozen food in the fridge. This way, you can use the frozen food to decrease the temperature in the compartment and save energy.

### **When storing commercially frozen foods, please follow these guidelines:**

1. Always follow manufacturers' guidelines for the length of time you should store food for. Do not exceed these guidelines !
2. Try to keep the length of time between purchase and storage as short as possible to preserve food quality.
3. Buy frozen foods, which have been stored at a temperature of  $-18^{\circ}\text{C}$  or below.
4. Avoid buying food which has ice or frost on the packaging - This indicates that the products might have been partially defrosted and refrozen at some point - temperature rises affect the quality of food.

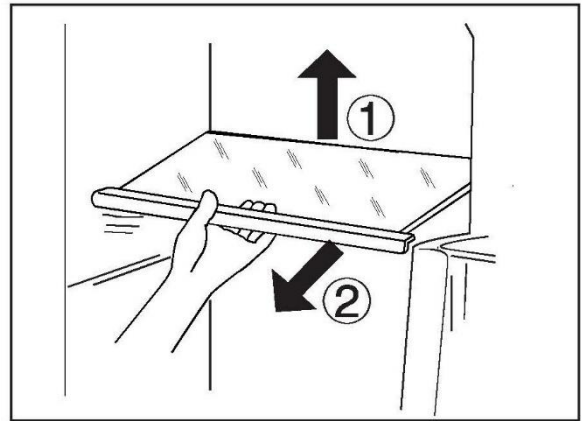


## Energy saving tips

- ▶ Make sure the appliance is properly ventilated (see INSTALLATION).
- ▶ Do not install the appliance in direct sunlight or in the near of heat sources (e.g. stoves, heaters).
- ▶ Avoid unnecessarily low temperature in the appliance. The energy consumption increases the lower the temperature in the appliance is set.
- ▶ Functions like POWER- FREEZE consume more energy.
- ▶ Allow warm food to cool down before placing it in the appliance.
- ▶ Open the appliance door as little and as briefly as possible.
- ▶ Do not overfill the appliance to avoid obstructing the air flow.
- ▶ Avoid air within the food packaging.
- ▶ Keep door seals clean so that the door always closes correctly
- ▶ Defreeze frozen food in the fridge storage compartment.
- ▶ The most energy-saving configuration requires the appliance keep drawers, food box and shelves on factory-fresh condition, and food should be places as far as possible without blocking the air outlet of the duct.

### Adjustable shelves

1. The height of the shelves can be adjusted to fit your storage needs.
2. To relocate a shelf, remove it first by uplifting its hind edge ① and pulling it out ②.
3. To reinstall it, put it on the lugs on both sides and push it to the most rearward position until the rear of the shelf is fixed inside the slots in the sides

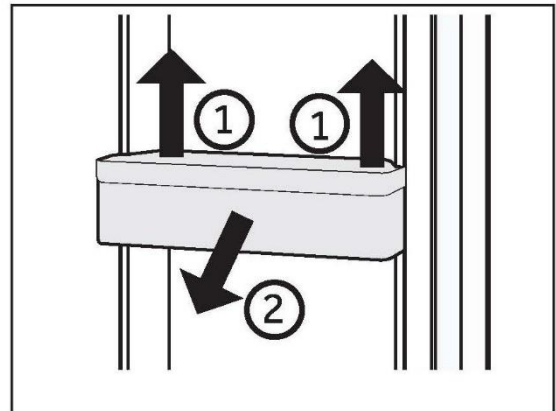


### **i** NOTICE

Ensure that all ends of a shelf are level.

### Removable door racks/bottle holder

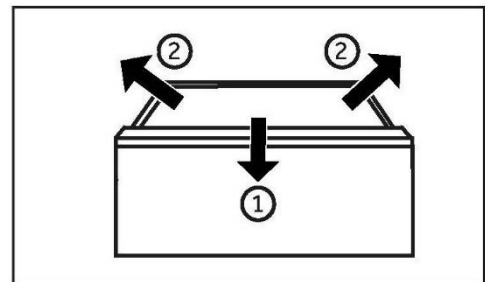
1. The door racks/bottle holder can be removed for cleaning:
2. Place hands on each side of the racks/ bottle holder, lift it upwards ① and pull it out ②.
3. In order to insert the door racks/bottle holder, the above steps are carried out in reverse order



### Removable drawer

To remove the drawer out, pull out to the maximum extent ①, lift and remove ②.

In order to insert the drawer, the above steps are carried out in reverse order.



### Ice container

#### Stopping the production of ice

If no ice or water is needed over a long period of time, the valve between the water supply and the appliance can be turned off.

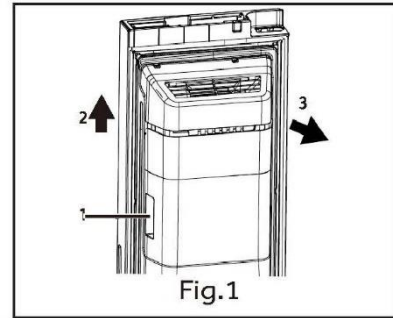
The ice box should be cleaned, dried and put back into the appliance to prevent the emergence of odours.





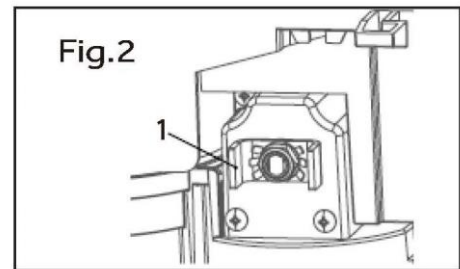
### Removing the ice container

1. Grip both side handles.
2. Lift the container up.
3. Pull the container out.



### Reinstalling the ice container

To reinstall the ice container, the U - shaped bracket behind the ice container (1 in Fig.2) must be aligned with the corresponding metal structure. Follow the steps from Fig. 1 in the reverse order.



## NOTICE

Moisture can condense and freeze the ice box in place.



## WARNING!

Disconnect the appliance from the power supply before cleaning.

### Cleaning

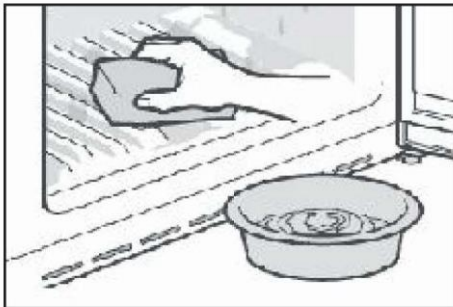
Clean the appliance when only little or no food is stored.

The appliance should be cleaned every four weeks for good maintenance and to prevent bad stored food odors.



## WARNING!

- ▶ Do not clean the appliance with hard brushes, wire brushes, detergent powder, petrol, amyl acetate, acetone and similar organic solutions, acid or alkaline solutions. Please clean with special refrigerator detergent to avoid damage.
- ▶ Do not spray or flush the appliance during cleaning.
- ▶ Do not use water spray or steam to clean the appliance.
- ▶ Do not clean the cold glass shelves with hot water. Sudden temperature change may cause the glass to break.
- ▶ Do not touch the inside surface of the freezer storage compartment, especially with wet hands, as your hands may freeze onto the surface.
- ▶ In case of heating check the condition of frozen goods.



- ▶ Always keep the door gasket clean.
  - ▶ Clean the inside and housing of the appliance with a sponge dampened in warm water and neutral detergent.
1. Please scrub the interior and exterior of the refrigerator, including door sealing, door rack, glass shelves, boxes and so on, with a soft towel or sponge dipped in warm water (you may add neutral detergent into the warm water).
  2. If there is liquid spilled, remove all the contaminated parts, directly rinse with the flow water, dry and place it back into the fridge.
  3. If there is spilled cream (such as the cream, melting ice cream), please remove all the contaminated parts, put into the warm water with about 40°C for some time, then rinse with the flow water, dry and place it back into the fridge.
  4. In case some small part or component gets stuck inside of the fridge (between shelves or drawers), use small soft brush to release it. If you could not reach the part, please contact Haier service
- ▶ Rinse and dry with soft cloth.
  - ▶ Do not clean any of the parts of the appliance in a dishwasher.
  - ▶ Allow at least 5 minutes before restarting the appliance as frequent starting may damage the compressor.

### Defrosting

The defrosting of the refrigerator and the freezer compartment are done automatically; no manual operation is needed.



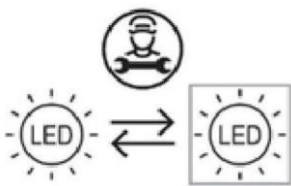
## Replacing the LED-lamps



### WARNING!

Do not replace the LED lamp yourself, it must only be replaced by either the manufacturer or the authorised service agent.

The lamps adopts LED as its light source, featuring low energy consumption and long service life. If there is any abnormality, please contact the customer service. See CUSTOMER SERVICE.



Replaceable (LED only) light source by a professional.

This product contains a light source of energy efficiency class G.

Compartment	Voltage	Energy efficiency class	Model
Refrigerator	12V	G	HSW59F18DIMM
Freezer	12V	G	HSW79F18DIPT
Back lamp	12V	G	HSW79F18DIPT

### Cleaning the ice container

Clean the ice container periodically with warm water, especially if ice cubes get older and stale. Dry the container well before putting it back into the appliance in order to prevent ice cubes from sticking to the walls.

### Non-use for a longer period

If the appliance is not used for an extended period of time, and you will not use the Holiday-function for the refrigerator:

- ▶ Take out the food.
- ▶ Unplug the power cord.
- ▶ Clean the appliance as described above.
- ▶ Keep the doors open to prevent the creation of bad odours inside.



### NOTICE

Turn the appliance off only if strictly necessary.



### Moving the appliance

1. Remove all food and unplug the appliance.
2. Secure shelves and other moveable parts in the fridge and the freezer with adhesive tape.
3. Do not tilt the refrigerator more than 45° to avoid damaging the refrigerating system.



### WARNING!

- ▶ Do not lift the appliance by its handles.
- ▶ Never place the appliance horizontally on the ground.

### Replacing the filter

The water filter has to be changed approximately every 6 months, when the indicator "c3" (Filter Reset function) lights up.

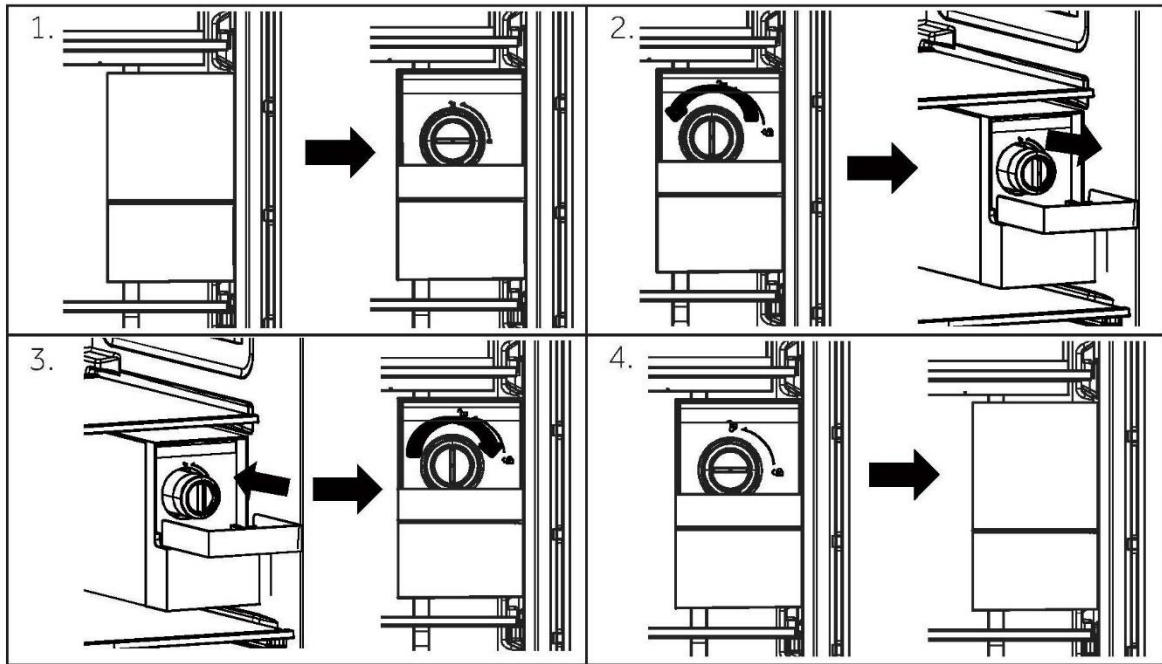
To purchase a replacement water filter:

- Use replacement cartridge: HRXWF,
- Visit your local dealer or distributor. For further assistance, visit our website at [www.haierespares.eu](http://www.haierespares.eu)



### Notice

- ▶ Replacing the water filter causes a small amount of water (around 1 oz. or 25 cc) to drain.
  - ▶ Wrap a cloth around the front end of the water filter cover to collect any leaking water. Hold the water filter upright, once it is removed, to prevent any remaining water from spilling out of the water filter.
1. Press down the middle of the upper cover and turn down.
  2. Remove the disposable water filter.
  3. Replace with a new water filter. Insert the new filter into the filter head and rotate it clockwise until the arrow on the new filter lines up with the arrow on the filter head. Swing the filter back into the compartment.
  4. Close the water filter cover.



5. Press and hold the 3Sec. Filter Reset button for 3 seconds.
6. Dispense water for approximately 5 minutes to remove trapped air and contaminants.



## CAUTION!

- ▶ Failure to replace filters when required or using non Haier authorised water filters can cause the filter cartridge to leak and result in property damage.

### Water Filter

#### Model: Haier HRXWF

- ▶ System certified by IAPMO R&T against NSF/ANSI Standards 42, 53, 401 and P473 for the reduction of claims specified on the performance data sheet and at [iapmort.org](http://iapmort.org).
- ▶ Actual performance may vary with local water conditions.

### Application Guidelines/Water Supply Parameters

Service Flow: 0.5 gpm (1.89 lpm)

Water Supply: Potable Water

Water Pressure: 25-120 psi (172-827 kPa)

Water Temperature: 0.6°C-38°C

Capacity: 170 gallons (643.5 liter)



It is essential that the manufacturer's recommended installation, maintenance and filter replacement requirements be carried out for the product to perform as advertised. See Installation Manual for Warranty information.

### Notice

While the testing was performed under standard laboratory conditions, actual performance may vary. Replacement Cartridge: HRXWF For estimated costs of replacement elements please visit our website at [www.haierparts.eu](http://www.haierparts.eu).

### WARNING!

- ▶ To reduce the risk associated with ingestion of contaminants:
- ▶ Do not use with water that is microbiologically unsafe or of unknown quality without adequate disinfection before and after the system. Systems certified for cyst reduction may be used on disinfected water that may contain filterable cysts.

### Notice

#### **To reduce the risk of water leakage or flooding, and to ensure optimal filter performance:**

- ▶ Read and follow use instructions before installation and use of this system.
- ▶ Installation and use MUST comply with all state and local plumbing codes.
- ▶ Do not install if water pressure exceeds 120 psi (827 kPa). If your water pressure exceeds 80 psi (552 kPa), you must install a pressure-limiting valve. Contact a plumbing professional if you are uncertain how to check your water pressure.
- ▶ Do not install where water hammer conditions may occur. If water hammer conditions exist you must install a water hammer arrester. Contact a plumbing professional if you are uncertain how to check for this condition.
- ▶ Do not install on hot water supply lines. The maximum operating water temperature of this filter system is 38°C.
- ▶ Protect filter from freezing. Drain filter when temperatures drop below 0.6°C.
- ▶ Change the disposable filter cartridge every six months or sooner if you observe a noticeable reduction in water flow rate.
- ▶ Failure to replace the disposable filter cartridge at recommended intervals may lead to reduced filter performance and cracks in the filter housing, causing water leakage or flooding.
- ▶ This System has been tested according to NSF/ANSI 42, 53, 401 and P473 for the reduction of the substances listed below. The concentration of the indicated substances in water entering the system was reduced to a concentration less than or equal to the permissible limit for water leaving the system, as specified in NSF/ANSI 42, 53, 401 and P473.



Many occurring problems could be solved by yourself without specific expertise. In case of a problem please check all shown possibilities and follow below instructions before you contact an after sales service. See CUSTOMER SERVICE.



## WARNING!

- ▶ Before maintenance, deactivate the appliance and disconnect the mains plug from the mains socket.
- ▶ Electrical equipment should be serviced only by qualified electrical experts, because improper repairs can cause considerable consequential damages.
- ▶ A damaged supply should only be replaced by the manufacturer, its service agent or similarly qualified persons in order to avoid a hazard.

Problem	Possible Cause	Possible Solution
The compressor does not work.	<ul style="list-style-type: none"> <li>• Mains plug is not connected in the mains socket.</li> <li>• The appliance is in the defrosting cycle</li> </ul>	<ul style="list-style-type: none"> <li>• Connect the mains plug.</li> <li>• This is normal for an automatic defrosting</li> </ul>
The appliance runs frequently or runs for a too long period of time.	<ul style="list-style-type: none"> <li>• The indoor or outdoor temperature is too high.</li> <li>• The appliance has been off power for a period of time.</li> <li>• A door of the appliance is not tightly closed.</li> <li>• The door has been opened too frequently or for too long.</li> <li>• The temperature setting for the freezer compartment is too low.</li> <li>• The door gasket is dirty, worn, cracked or mismatched.</li> <li>• The required air circulation is not guaranteed.</li> </ul>	<ul style="list-style-type: none"> <li>• In this case, it is normal for the appliance to run longer.</li> <li>• Normally, it takes 8 to 12 hours for the appliance to cool down completely.</li> <li>• Close the door/drawer and ensure the appliance is located on a level ground and there is no food or container jarring the door.</li> <li>• Do not open the door/drawer too frequently.</li> <li>• Set the temperature higher until a satisfactory refrigerator temperature is obtained. It takes 24 hours for the refrigerator temperature to become stable.</li> <li>• Clean the door/drawer gasket or replace them by the customer service.</li> <li>• Ensure adequate ventilation.</li> </ul>
The inside of the refrigerator is dirty and/ or smells.	<ul style="list-style-type: none"> <li>• The inside of the refrigerator needs cleaning.</li> <li>• Food of strong odour is stored in the refrigerator.</li> </ul>	<ul style="list-style-type: none"> <li>• Clean the inside of the refrigerator.</li> <li>• Wrap the food thoroughly.</li> </ul>



Problem	Possible Cause	Possible Solution
The appliance makes abnormal sounds.	<ul style="list-style-type: none"><li>• The appliance is not located on level ground.</li><li>• The appliance touches some object around it.</li></ul>	<ul style="list-style-type: none"><li>• Adjust the feet to level the appliance.</li><li>• Remove objects around the appliance.</li></ul>
It is not cold enough inside the appliance.	<ul style="list-style-type: none"><li>• The temperature is set too high. Too warm goods has been stored.</li><li>• Too much food has been stored at one time.</li><li>• The goods are too close to each other.</li><li>• A door/drawer of the appliance is not tightly closed.</li><li>• The door/drawer has been opened too frequently or for too long.</li></ul>	<ul style="list-style-type: none"><li>• Reset the temperature.</li><li>• Always cool down goods before storing them.</li><li>• Always store small quantities of food.</li><li>• Leave a gap between several foods allowing air flowing.</li><li>• Close the door/drawer.</li><li>• Do not open the door/drawer too frequently.</li></ul>
It is too cold inside the appliance.	<ul style="list-style-type: none"><li>• The temperature is set too low. The Super-Frz/Super-Coolfunction is activated or is running too long.</li></ul>	<ul style="list-style-type: none"><li>• Reset the temperature.</li><li>• Switch off the Super-Frz/Super-Cool function</li></ul>
Moisture formation on the inside of the refrigerator compartment.	<ul style="list-style-type: none"><li>• The climate is too warm and toodamp.</li><li>• A door/drawer of the appliance is not tightly closed.</li><li>• The door/drawer has been opened too frequently or for too long.</li><li>• Food containers or liquids are left open.</li></ul>	<ul style="list-style-type: none"><li>• Increase the temperature.</li><li>• Close the door/drawer.</li><li>• Do not open the door/drawer too frequently.</li><li>• Let hot foods cool to room temperature and cover foods and liquids.</li></ul>
Moisture accumulates on the refrigerators outside surface or between the doors/door and drawer.	<ul style="list-style-type: none"><li>• The climate is too warm and too damp.</li><li>• The door is not closed tightly. The cold air in the appliance and the warm air outside it conden sates.</li></ul>	<ul style="list-style-type: none"><li>• This is normal in damp climate and will change when the humidity decreases.</li><li>• Ensure that he door/drawer is tightly shut.</li></ul>





## Troubleshooting

Problem	Possible Cause	Possible Solution
Strong ice and frost in the freezer compartment.	<ul style="list-style-type: none"><li>• The goods were not adequately packaged.</li><li>• A door/drawer of the appliance is not tightly closed.</li><li>• The door/drawer has been opened too frequently or for too long.</li><li>• The door/drawer gasket is dirty, worn, cracked or mismatched.</li><li>• Something on the inside prevents the door/drawer to close properly.</li></ul>	<ul style="list-style-type: none"><li>• Always pack the goods well.</li><li>• Close the door/drawer.</li><li>• Do not open the door/drawer too frequently.</li><li>• Clean the door/drawer gasket or replace them by new ones.</li><li>• Reposition the shelves, door racks, or internal containers to allow the door/drawer to close.</li></ul>
The sides of the cabinet and door strip get warm.	<ul style="list-style-type: none"><li>• -</li></ul>	<ul style="list-style-type: none"><li>• This is normal.</li></ul>
The appliance makes abnormal sounds.	<ul style="list-style-type: none"><li>• The appliance is not located on level ground.</li><li>• The appliance touches some object around it.</li></ul>	<ul style="list-style-type: none"><li>• Adjust the feet to level the appliance.</li><li>• Remove objects around the appliance.</li></ul>
A slight sound is to be heard similar to that of flowing water.	<ul style="list-style-type: none"><li>• -</li></ul>	<ul style="list-style-type: none"><li>• This is normal.</li></ul>
You will hear an alarm beep.	<ul style="list-style-type: none"><li>• The fridge storage compartment door is open.</li></ul>	<ul style="list-style-type: none"><li>• Close the door.</li></ul>
You will hear a faint hum.	<ul style="list-style-type: none"><li>• The anti-condensation system is working</li></ul>	<ul style="list-style-type: none"><li>• This prevents condensation and is normal</li></ul>
The interior lighting or cooling system does not work.	<ul style="list-style-type: none"><li>• Mains plug is not connected in the mains socket.</li><li>• The power supply is not intact.</li><li>• The LED-lamp is out of order.</li></ul>	<ul style="list-style-type: none"><li>• Connect the mains plug.</li><li>• Check the electrical supply to the room. Call the local electricity company!</li><li>• Please call the service for changing the lamp.</li></ul>
Water leaking or dripping from the water dispenser spout.	<ul style="list-style-type: none"><li>• The water tank is not installed correctly</li><li>• The water dispenser spout is not screwed tight to the tank.</li><li>• The white silicon O ring is missing from the water spout.</li></ul>	<ul style="list-style-type: none"><li>• Refit the water tank into the fridge door, ensure it is pushed fully into the door.</li><li>• The water spout is screwed in firmly to the water tank.</li><li>• Check the water spout has a white silicon O ring at the tank end before fitting the water spout to the water tank.</li></ul>



To contact the technical assistance, visit our website: <https://corporate.haier-europe.com/en/>  
Under the section "website", choose the brand of your product and your country. You will be redirected to the specific website where you can find the telephone number and form to contact the technical assistance.

### Power interruption

In the event of a power cut, food should remain safely cold for about 5 hours. Follow these tips during a prolonged power interruption, especially in summer:

- ▶ Open the door/drawer as few times as possible.
- ▶ Do not put additional food into the appliance during a power interruption.
- ▶ If prior notice of a power interruption is given and the interruption duration is longer than 5 hours, make some ice and put it in a container in the top of the refrigerator compartment.
- ▶ An inspection of the goods is required immediately after the interruption.
- ▶ As temperature in the refrigerator will rise during a power interruption or other failure, the storage period and edible quality of food will be reduced. Any food that defrosts should be either consumed, or cooked and refrozen (where suitable) soon afterwards in order to prevent health risks.



### **NOTICE: Memory function during power interruption**

After restoration of power the appliance continues with the settings that were set before the power failure.

## Unpacking



### WARNING!

- ▶ The appliance is heavy. Always handle with at least two persons.
- ▶ Keep all packaging materials out of children's reach and dispose them in an environmentally friendly manner.
- ▶ Take the appliance out of the packaging.
- ▶ Remove all packaging materials.

## Environmental conditions

The room temperature should always be between 10°C and 43°C, since it can influence the temperature inside the appliance and its energy consumption. Do not install the appliance near other heat-emitting appliances (ovens, refrigerators) without isolation.

- Extended temperate (SN): this refrigerating appliance is intended to be used at ambient temperatures ranging from 10°C to 32°C;
- Temperate (N): this refrigerating appliance is intended to be used at ambient temperatures ranging from 16°C to 32°C;
- Subtropical (ST): this refrigerating appliance is intended to be used at ambient temperatures ranging from 16°C to 38°C;

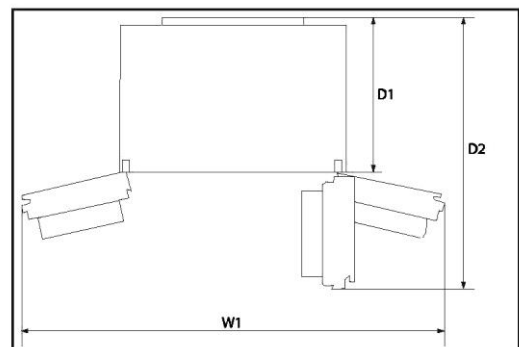
## Space requirement

Required space when door is opened:

W1 = 157.8 cm

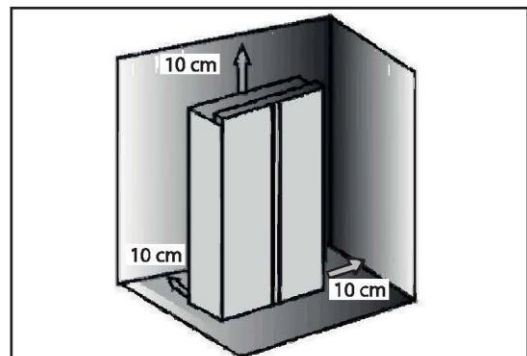
D1 = 62.9 cm

D2 = 117.5 cm



## Ventilation cross-section

To achieve sufficient ventilation of the appliance for safety reasons, the information of the required ventilation cross sections must be observed.

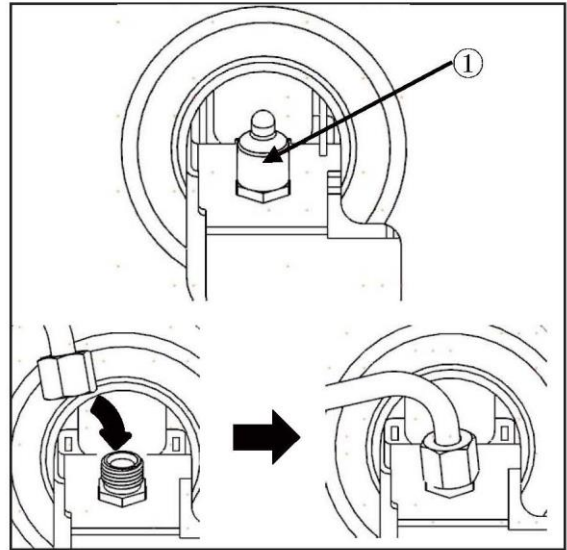


### NOTICE

For a free standing appliance: this refrigerating appliance is not intended to be used as a built-in appliance.

## Connecting water to the appliance

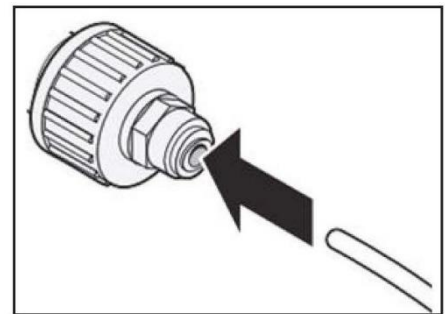
1. Remove the rubber plug (1) from the water inlet valve.
2. Firmly push the water tube onto the water inlet valve and tighten up the collar nut. This water pipe needs to be cut from the middle and used, and the other section is used as a spare part.



## Connecting to the water tap

This feature is only available on some models.

1. Push the water tube into the hole of the tap connector supplied in the accessories. The pipe should be held firmly whilst the connector is pushed onto the pipe.
  2. Ensure that the rubber washer is fitted to the inside of the tap connector before screwing it onto the tap.
- ▶ A separate connector or adaptor may need to be purchased if your tap fitting does not match the thread size of the connector provided.



## Checking the Water Connection

This feature is only available on some models.

- ▶ Turn on the water supply and switch on the appliance. Carefully check all fittings for possible leaks due to poorly fitted hoses.
- ▶ Press and hold the 3Sec. Filter Reset button for three seconds. The new water filter has been activated.
- ▶ Place a cup under the water dispenser to verify that water is flowing through the appliance.
- ▶ Check the connecting tube and joints for leaks once again.



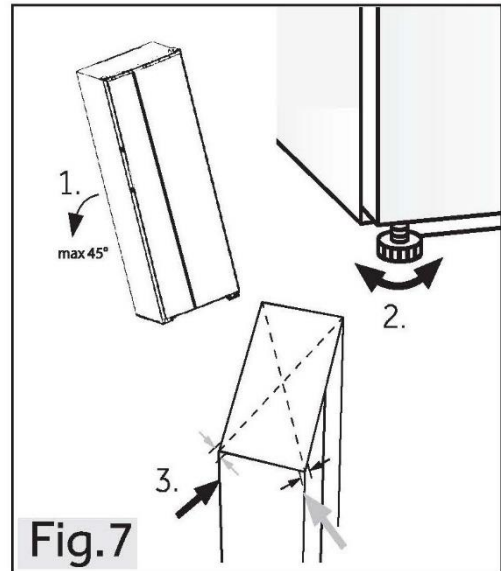
**WARNING!**

- ▶ Ensure that the connections are always firm, dry and leak free.
- ▶ Make sure the hose is never crushed, kinked, or twisted.

**Aligning the appliance**

The appliance should be placed on a flat and solid surface.

1. Tit the appliance slightly backwards (Fig.7).
2. Set the feet to the desired level. Make sure the distance to the wall on the hinge sides is at least 10 cm.
3. The stability can be checked by alternately bumping on the diagonals. The slightly swaying should be the same in both directions. Otherwise the frame can warp possible leaking door seals are the result. A low tendency to the rear facilitates the closing of the doors.

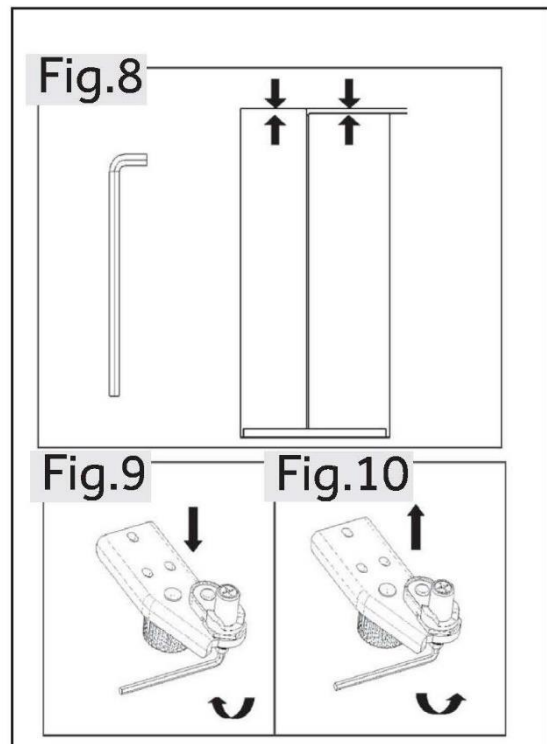


**Fine tuning of the doors**

If the doors are still not in one level after levelling the doors by the feet, this mismatch can be remedied by turning the hinge lifting shaft at the right bottom corner of refrigerating door with a spanner (Fig.8)

Clockwise turn lifting shaft with spanner to lower door height (Fig.9).

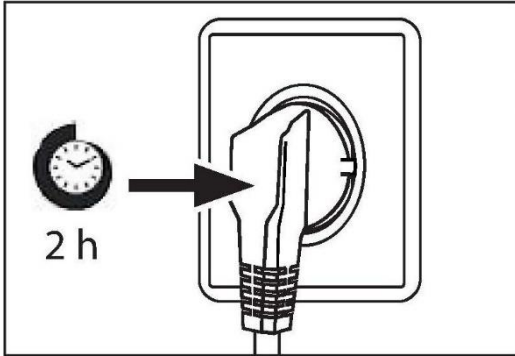
Anticlockwise turn lifting shaft with spanner to lift door height (Fig.10).





## WARNING!

Do not adjust the hinge lifting shaft excessively to a height which might cause the shaft to leave its original locked position. (Adjustable height range: 3 mm)



### Waiting time

To the maintenance-free lubrication oil is located in the capsule of the compressor. This oil can get through the closed pipe system during slanting transport. Before connecting the appliance to the power supply you have to wait at least 2 hours so that the oil runs back into the capsule.

### Electrical connection

#### Before each connection check if:

- ▶ power supply, socket and fusing are appropriate to the rating plate.
- ▶ the power socket is earthed and no multi-plug or extension.
- ▶ the power plug and socket are strictly according.

Connect the plug to a properly installed household socket.



## WARNING!

To avoid risks a damaged power cord must be replaced by the customer service (see warranty card).

### Removing and installing the doors

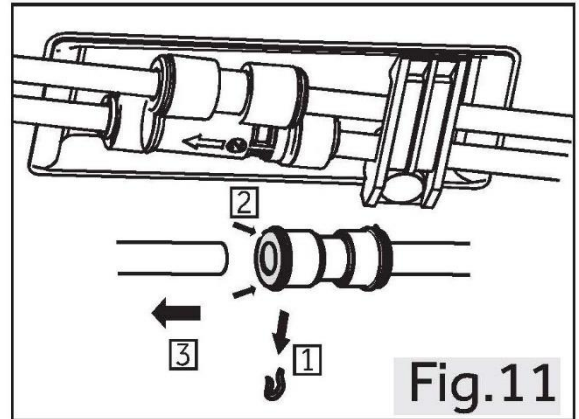
In the event that you need to remove the appliance doors, please follow the door removal and installation instructions below.



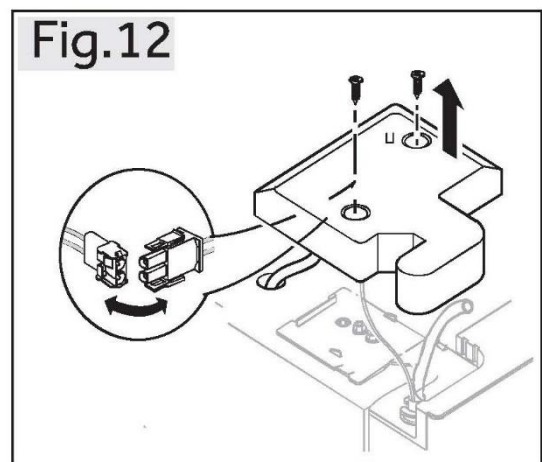
## WARNING!

- ▶ Before any operation, deactivate the appliance and disconnect the mains plug from the mains socket.
- ▶ Block the water supply.
- ▶ The appliance is heavy. Always handle with at least two persons.
- ▶ Do not tilt the appliance more than 45° or place it horizontally on the ground.
- ▶ The door may fall over and hurt people, or get damaged during these steps, please pay more attention when removing and installing doors.

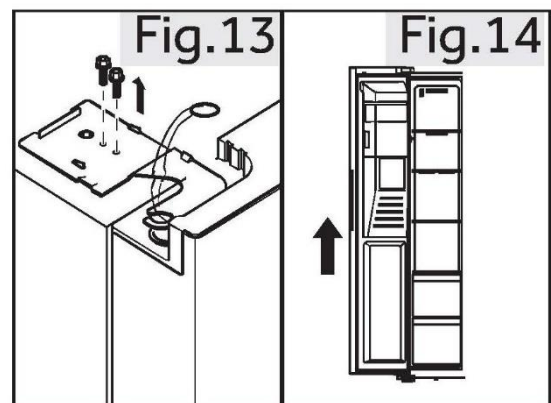
1. Release the left side of two water couplers on the front left corner at the bottom of appliance: press and hold in the collar as shown and remove the water pipe. (Fig.11).



2. Undo the hinge cover screw and remove the cover (Fig.12). When removing the freezer door, disconnect all wires except for the grounding wire.



3. Undo the screws holding the upper hinge in position and then remove the hinge(Fig.13).
4. Lift the door to remove it (Fig. 14). When removing the freezer door, lift it high enough to pull out the water connection from the bottom of the appliance.
5. Refit the door by reversing the removal steps. Ensure that the grounding cable will be fixed by the screw.
6. Refit the water connection.




## NOTICE: Fridge door

The pictures show the removing of the freezer compartment door. For the fridge door please use the corresponding parts on the other side.



## Technical data

Product fiche according to regulation EU No. 2019/2016

Brand	Haier
Model name / identifier	HSW59F18DIMM HSW79F18DIPT
Category of the model	Refrigerator-freezer
Energy efficiency class	D
Annual energy consumption(kWh/year) <sup>(1)</sup>	267
Total volume(L)	601
Volume refrigerator(L)	391
Volume freezer(L)	206
Volume Ice Storage bin(2-Star)(L)	4
Star rating	
Temperature of other compartments >14°C	Non applicable
Frost-free system	Yes
Freezing capacity(kg/24h)	10
Climate rating <sup>(2)</sup>	SN-N-ST
Noise emission class and airborne acoustical noise emissions(db(A) re 1pW)	C(36)
Temperature rise time (h)	5
Ice making capacity	0.8 kg/24h
Type of appliance	freestanding





## Technical data

Explanations:

• Yes, featured

(1) Based on the results of the standards conformance test over 24 hours. The actual consumption depends on the use and the location of the appliance.

(2) Climate rating SN: This appliance is intended for use in an ambient temperature of between +10°C and +32°C

Climate rating N: This appliance is intended for use in an ambient temperature of between +16°C and +32°C

Climate rating ST: This appliance is intended for use in an ambient temperature of between +16°C and +38°C

### Additional technical data

Voltage / Frequency	220-240V~/50Hz
Input current (A)	1.8
Defrosting input power (W)	220
Main fuse (A)	15
Coolant	R600a
Dimensions (H/W/D in mm)	1775/905/726



We recommend our Haier Customer Service and the use of original spare parts.  
If you have a problem with your appliance, please first check section TROUBLESHOOTING.

If you cannot find a solution there, please contact

- ▶ your local dealer or
- ▶ our European Call Service-Center (see listed phone numbers below) or
- ▶ the Service & Support area at [www.haier.com](http://www.haier.com) where you can activate the service claim and also find FAQs.

To contact our Service, ensure that you have the following data available.  
The information can be found on the rating plate.

Model \_\_\_\_\_

Serial No. \_\_\_\_\_

Also check the Warranty Card supplied with the product in case of warranty.

European Call Service-Center		
Country*	Phone number	Costs
Haier Italy (IT)	199 100912	
Haier Spain (ES)	902 509 123	
Haier Germany (DE)	0180539 39 99	<ul style="list-style-type: none"><li>• 14 Ct/Min Landline</li><li>• max 42 Ct/Min Mobile</li></ul>
Haier Austria (AT)	0820 001 205	<ul style="list-style-type: none"><li>• 14,53 Ct/Min Landline</li><li>• max 20 Ct/Min all others</li></ul>
Haier United Kingdom (UK)	0333 003 8122	
Haier France (FR)	0980 406 409	



## Customer service

\* For other countries please refer to [www.haier.com](http://www.haier.com)

Haier Europe Trading S.r.l

Branch UK

Westgate House, Westgate, Ealing

London, W5 1YY

\*Duration of the guarantee of the refrigerating appliance:

Minimum guarantee is: 2 years for EU Countries, 3 years for Turkey, 1 year for UK, 1 year for Russia, 3 years for Sweden, 2 years for Serbia, 5 years for Norway, 1 year for Morocco, 6 months for Algeria, Tunisia no legal warranty required.

\*The period of spare parts for the repair of the appliance:

Thermostats, temperature sensors, printed circuit boards and light sources are available for a minimum period of seven years after placing the last unit of the model on the market.

Door handles, door hinges, trays and baskets for a minimum period of seven years and door gaskets for a minimum period of 10 year, after placing the last unit of the model on the market.

\*For further information about the product, please consult <https://eprel.ec.europa.eu/> or scan the QR on the energy label supplied with the appliance.

# Haier

Benutzerhandbuch



Kühl-Gefrierkombination

HSW59F18DIMM

HSW79F18DIPT



**WARNING:Risk of fire/flammable material**

**EN**

The symbol indicates there is a risk of fire since flammable materials are used. Take care to avoid causing a fire by igniting flammable material.

**WARNUNG: Brandgefahr/brennbares Material**

**DE**

Das Symbol zeigt an, dass Brandgefahr besteht, da brennbare Materialien verwendet werden. Achten Sie darauf, dass kein Feuer entstehen kann, indem brennbares Material sich entzündet.





## Inhalt

---

Sicherheitsinformationen .....	50
Bestimmungsgemäße Verwendung .....	55
Produktbeschreibung.....	56
Bedienfeld.....	57
Verwendung .....	58
Ausstattung .....	71
Pflege und Reinigung .....	73
Fehlerbehebung.....	78
Installation .....	82
Technische Daten.....	87
Kundendienst .....	89



Vielen Dank



## Vielen Dank für den Kauf eines Haier-Produkts.

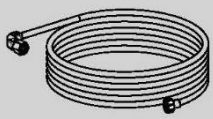
Bitte lesen Sie diese Anweisungen sorgfältig durch, bevor Sie dieses Gerät benutzen. Die Anleitung enthält wichtige Informationen, die Ihnen helfen, das Gerät optimal zu nutzen und eine sichere und ordnungsgemäße Installation, Verwendung und Wartung zu gewährleisten.

Bewahren Sie diese Anleitung an einem geeigneten Ort auf, damit Sie jederzeit für die sichere und ordnungsgemäße Verwendung des Geräts darauf zurückgreifen können.

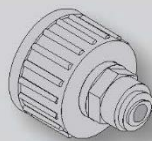
Wenn Sie das Gerät verkaufen, weggeben oder bei einem Umzug zurücklassen, vergewissern Sie sich, dass diese Anleitung auch beigelegt wird, damit sich der neue Besitzer mit dem Gerät und den Sicherheitshinweisen vertraut machen kann.

## Zubehör

Überprüfen Sie das Zubehör und die Dokumentation gemäß dieser Liste:



\*Wasserleitung



\*Wasseranschluss



Energie-  
Kennzeichnung



Garantiekarte



Kurzanleitung





**WARNUNG - Wichtige Sicherheitsinformationen**



**HINWEIS - Allgemeine Informationen und Tipps**



**Umweltinformationen**



**Entsorgung**

Tragen Sie zum Schutz der Umwelt und der menschlichen Gesundheit bei. Die Verpackung zum Recyceln in die entsprechenden Behälter entsorgen. Unterstützen Sie das Recycling von Elektro- und Elektronik-Altgeräten. Entsorgen Sie Geräte, die mit diesem Symbol gekennzeichnet sind, nicht mit dem Hausmüll. Geben Sie das Produkt an Ihre lokale Recyclinganlage zurück oder wenden Sie sich an Ihre Stadtverwaltung.



**WARNUNG!**

Verletzungs- oder Erstickungsgefahr!

Kältemittel und Gase müssen fachgerecht entsorgt werden. Überprüfen Sie, dass der Schlauch des Kühlkreislaufs nicht beschädigt ist, bevor er ordnungsgemäß entsorgt wird. Trennen Sie das Gerät von der Stromversorgung. Trennen Sie das Netzkabel und entsorgen Sie es. Entfernen Sie die Fächer und Schubladen sowie die Türöffnung und die Dichtungen, um zu verhindern, dass Kinder und Haustiere im Gerät eingeschlossen werden.



## Lesen Sie vor dem ersten Einschalten des Geräts folgende Sicherheitshinweise:



### WARNUNG!

#### Vor der ersten Inbetriebnahme

- ▶ Vergewissern Sie sich, dass keine Transportschäden vorliegen.
- ▶ Entfernen Sie alle Verpackungsteile und bewahren Sie sie außerhalb der Reichweite von Kindern auf.
- ▶ Warten Sie vor dem Einschalten des Geräts mindestens zwei Stunden, damit der Kühlkreislauf auch sicher und effektiv arbeitet.
- ▶ Das Gerät immer mit mindestens zwei Personen transportieren, da es schwer ist.

#### Installation

- ▶ Das Gerät sollte an einem gut belüfteten Ort aufgestellt werden. Idealerweise müssen mindestens 10 cm rund um das Gerät frei bleiben.
- ▶ Stellen Sie das Gerät niemals in einem feuchten Bereich oder an einem Ort auf, wo es mit Wasser nassgespritzt werden könnte. Reinigen Sie Wasserspritzer und Flecken mit einem weichen, sauberen Tuch.
- ▶ Stellen Sie das Gerät nicht in direktem Sonnenlicht oder in der Nähe von Hitzequellen (z. B. Herden, Heizungen) auf.
- ▶ Installieren und richten Sie das Gerät in einem Bereich ein, der für seine Größe und Verwendung geeignet ist.
- ▶ Lüftungsschlitze am Gerät oder in der Einbaustruktur freihalten.
- ▶ Stellen Sie sicher, dass die elektrischen Informationen auf dem Typenschild der Stromversorgung entsprechen. Ist dies nicht der Fall, wenden Sie sich an einen Elektriker.
- ▶ Das Gerät wird über eine 220-240 V Wechselspannung/50 Hz betrieben. Abnormale Spannungsschwankungen könnten dazu führen, dass das Gerät nicht angeht, der Temperaturregler oder Kompressor beschädigt wird, oder dass während des Betriebs ein abnormales Geräusch auftritt. In einem solchen Fall ist ein automatischer Regler anzubringen.
- ▶ Verwenden Sie keine Mehrfachsteckadapter und Verlängerungskabel.
- ▶ Keine Mehrfachsteckdosen oder Verlängerungen hinter dem Gerät platzieren.
- ▶ Stellen Sie sicher, dass das Netzkabel nicht durch den Kühlschrank eingeklemmt wird. Nicht auf das Netzkabel treten.



## WARNUNG!

- ▶ Verwenden Sie eine separate, geerdete Steckdose für eine leicht zugängliche Stromversorgung. Das Gerät muss geerdet werden.  
Nur für Großbritannien: Das Gerätenetzkabel ist mit einem 3-adrigen Stecker (Erdungsstecker) ausgestattet, der in eine 3-adrige Norm-Buchse (geerdet) passt. Den dritten Stift (Erdung) auf keinen Fall kappen oder entfernen. Das Gerät muss so installiert werden, dass der Stecker erreichbar ist.
- ▶ Den Kühlkreislauf nicht beschädigen.

### Täglicher Gebrauch

- ▶ Dieses Gerät kann von Kindern ab 8 Jahren und Personen mit eingeschränkten körperlichen, sensorischen oder geistigen Fähigkeiten oder mangelnder Erfahrung und mangelndem Wissen benutzt werden, wenn diese in die sichere Bedienung des Geräts eingewiesen wurden oder beaufsichtigt werden und die damit verbundenen Gefahren verstanden haben.
- ▶ Kinder im Alter von 3 bis 8 Jahren dürfen Kühlschränke be- und entladen, aber nicht reinigen und installieren.
- ▶ Kinder unter 3 Jahren vom Gerät fernhalten, es sei denn, sie werden ständig beaufsichtigt.
- ▶ Kinder dürfen nicht mit dem Gerät spielen.
- ▶ Wenn Kohlegas oder ein anderes brennbares Gas in der Nähe des Geräts austritt, drehen Sie das Ventil des austretenden Gases ab. Öffnen Sie die Türen und Fenster, und ziehen Sie nicht den Netzstecker des Kühlschranks oder eines anderen Haushaltsgeräts.
- ▶ Beachten Sie, dass das Gerät für den Betrieb bei einer bestimmten Umgebungstemperatur zwischen 10 und 38°C eingestellt ist. Das Gerät funktioniert möglicherweise nicht ordnungsgemäß, wenn es über einen längeren Zeitraum bei einer Temperatur oberhalb oder unterhalb des angegebenen Bereichs betrieben wird.
- ▶ Stellen Sie keine instabilen Gegenstände (schwere Gegenstände, mit Wasser gefüllte Behälter) auf den Kühlschrank, um Verletzungen durch Herunterfallen oder elektrische Schläge durch Kontakt mit Wasser zu vermeiden.
- ▶ Ziehen Sie nicht an den Türfächern. Die Tür kann schief verzogen werden, das Flaschenregal kann herausgezogen werden, oder das Gerät kann umkippen.
- ▶ Die Tür nur mit den Griffen öffnen und schließen. Der Spalt zwischen den Türen sowie zwischen den Türen und dem Schrank ist sehr schmal. Stecken Sie nicht Ihre Hände in diese Bereiche, um zu vermeiden, dass Sie Ihre Finger eingeklemmt werden. Die Kühlschranktüren nur dann öffnen oder schließen, wenn keine Kinder im Bewegungsbereich der Tür stehen.



### WARNUNG!

- ▶ Keine brennbaren, explosionsfähigen oder korrosiven Substanzen im Gerät oder in der Nähe verwenden.
- ▶ Keine Arzneimittel, Bakterien oder Chemikalien im Gerät lagern. Dieses Gerät ist ein Haushaltsgerät. Es wird davon abgeraten, Materialien zu lagern, die extreme Temperaturen erfordern.
- ▶ Lagern Sie niemals Flüssigkeiten in Flaschen oder Dosen (außer hochprozentige Spirituosen), insbesondere kohlenstoffhaltige Getränke, im Gefrierschrank, da diese beim Einfrieren platzen können.
- ▶ Überprüfen Sie den Zustand der Lebensmittel, wenn die Temperatur im Gefrierschrank angestiegen ist.
- ▶ Keine unnötig niedrigen Temperaturen im Kühlschrank einstellen. Bei hohen Einstellungen kann es zu Minustemperaturen kommen. Achtung: Flaschen können platzen.
- ▶ Berühren Sie Gefriergut nicht mit nassen Händen (Handschuhe tragen). Verzehren Sie insbesondere Eis am Stiel nicht sofort nach der Entnahme aus dem Gefrierfach. Es besteht die Gefahr des Erfrierens oder der Bildung von Frostblasen an Mund und Zunge. ERSTE HILFE: Sofort unter fließend kaltes Wasser halten. Nicht mit Gewalt abziehen!
- ▶ Berühren Sie nicht die Innenfläche des Gefrierfachs, insbesondere nicht mit nassen Händen, da Ihre Hände an der Oberfläche festfrieren könnten.
- ▶ Ziehen Sie den Gerätestecker aus der Steckdose, falls die Stromversorgung unterbrochen wird oder bevor Sie das Gerät reinigen. Warten Sie vor dem Neustart mindestens 7 Minuten, da durch häufiges Einschalten der Kompressor beschädigt werden kann.
- ▶ Im Inneren des Haushaltsgeräts keine elektrischen Geräte benutzen, es sei denn, sie sind vom Hersteller empfohlen. Wartung / Reinigung
- ▶ Kinder müssen beaufsichtigt werden, wenn sie das Gerät reinigen und warten.
- ▶ Trennen Sie das Gerät von der Stromversorgung, bevor Sie eine routinemäßige Wartung durchführen. Warten Sie vor dem Neustart mindestens 5 Minuten, da durch häufiges Einschalten der Kompressor beschädigt werden kann.



### WARNUNG!

- ▶ Fassen Sie beim Herausziehen des Gerätesteckers aus der Steckdose, den Stecker und nicht das Kabel an.
- ▶ Reinigen Sie das Gerät nicht mit harten Bürsten, Drahtbürsten, Reinigungspulver, Benzin, Amylacetat, Aceton und ähnlichen organischen Lösungen, Säure oder Alkalilösungen. Reinigen Sie das Gerät mit einem speziellen Reinigungsmittel für Kühlgeräte, um Beschädigungen zu vermeiden.
- ▶ Kratzen Sie Frost und Eis nicht mit scharfkantigen Gegenständen ab. Verwenden Sie keine Sprays, elektrischen Heizgeräte, Haartrockner zum Abtauen oder Dampfreiniger im Gerät, um Beschädigungen der Kunststoffteile zu vermeiden.
- ▶ Keine mechanischen oder sonstigen Hilfsmittel verwenden, um den Abtauvorgang zu beschleunigen, es sei denn, dies ist vom Hersteller so empfohlen.
- ▶ Wenn das Stromkabel beschädigt ist, muss es vom Hersteller, von seinem Service-Mitarbeiter oder einer gleichwertig qualifizierten Person ausgetauscht werden, um jegliches Risiko zu vermeiden.
- ▶ Versuchen Sie nicht, das Gerät selbst zu reparieren, zu zerlegen oder zu verändern. Im Falle einer Reparatur wenden Sie sich bitte an unseren Kundendienst.
- ▶ Entfernen Sie den Staub auf der Geräterückseite mindestens einmal im Jahr, um Brandgefahr und einen erhöhten Energieverbrauch zu vermeiden.
- ▶ Das Gerät während der Reinigung nicht besprühen oder mit Wasser beschütten.
- ▶ Das Gerät nicht mit Wasser besprühen oder mit Dampf reinigen.
- ▶ Die kalten Einlegeböden aus Glas nicht mit heißem Wasser reinigen. Plötzliche Temperaturschwankungen können dazu führen, dass das Glas zerspringt.

## Information zu Kältemittelgas



### WARNUNG!

Das Gerät enthält das entzündliche Kältemittel ISOBUTAN (R600a). Stellen Sie sicher, dass der Kühlkreislauf während des Transports oder der Installation nicht beschädigt wird. Auslaufendes Kältemittel kann Augenverletzungen verursachen oder sich entzünden. Falls Schäden aufgetreten sind, halten Sie sich von offenen Brandquellen fern, lüften Sie den Raum gründlich, stecken Sie die Netzkabel des Geräts oder eines anderen Geräts nicht ein oder aus. Informieren Sie den Kundendienst.

Falls die Augen mit dem Kältemittel in Kontakt kommen, sofort unter fließendem Wasser ausspülen und den Augenarzt verständigen.



### Bestimmungsgemäße Verwendung

Dieses Gerät ist zum Kühlen und Gefrieren von Lebensmitteln bestimmt. Es ist ausschließlich für den Einsatz in Haushalten und ähnlichen Bereichen konzipiert, wie z. B. in Personalküchen in Geschäften, Büros und anderen Arbeitsumgebungen, auf Bauernhöfen und in Hotels, Motels und anderen wohnähnlichen Umgebungen sowie in Bed-and-Breakfasts und fürs Catering. Das Gerät ist nicht für die kommerzielle oder industrielle Nutzung bestimmt.

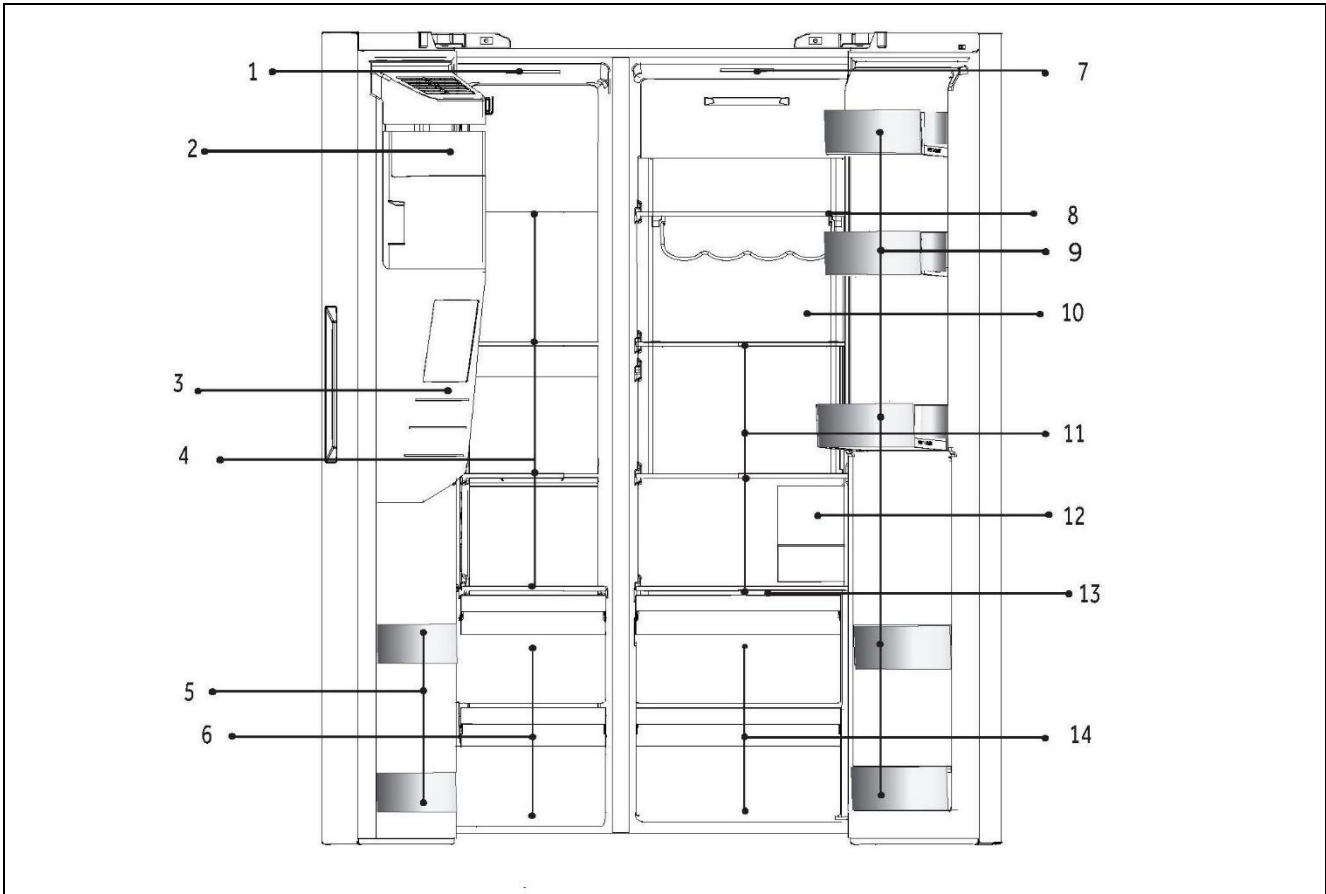
Änderungen oder Anpassungen am Gerät sind nicht erlaubt. Eine unsachgemäße Verwendung kann zu Gefahren und zum Verlust von Garantieansprüchen führen.

### Normen und Richtlinien und

Dieses Produkt erfüllt die Anforderungen aller geltenden EG-Richtlinien mit den entsprechenden harmonisierten Normen und Standards Großbritanniens, die eine CE- und UKCA-Kennzeichnung vorsehen.

**i Hinweis**

Aufgrund von technischen Änderungen und unterschiedlichen Modellen können einige der Abbildungen in dieser Anleitung von Ihrem Modell abweichen.



A: Gefrierfach

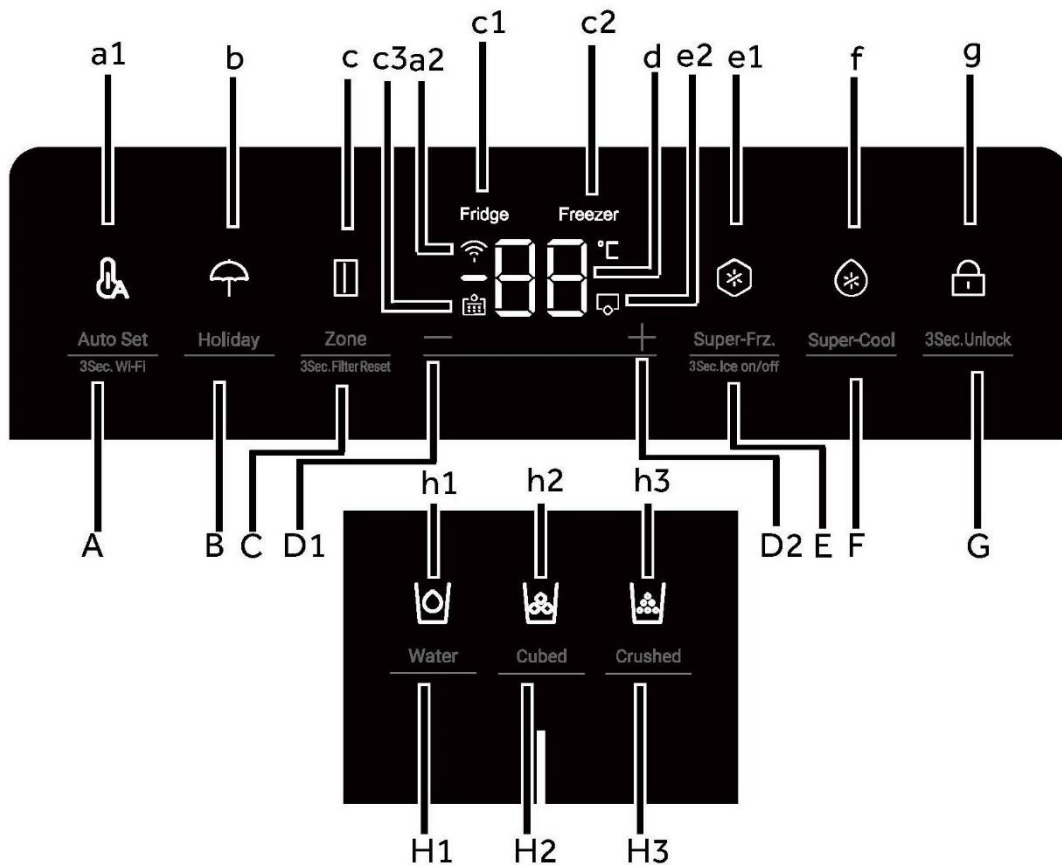
- 1 Deckenleuchte
- 2 Eismaschine mit Eisbehälter
- 3 Wasser- und Eisspender
- 4 Einlegeböden aus Glas
- 5 Flaschenhalter
- 6 Schubladen

B: Kühlfach des Kühlschranks

- 7 Deckenleuchte
- 8 Weinablage
- 9 Flaschenhalter
- 10 Hintere Leuchte(HSW79F18DIPT)
- 11 Einlegeböden aus Glas
- 12 Wasserfilter
- 13 Abdeckungsplatte Wet Zone
- 14 Schubladen



## Bedienfeld



Tasten:

- A Auto Set-Funktion/3Sec.Wi-Fi
- B Holiday-Funktion
- C Zonenauswahl/3Sec.Filter Reset
- D1 Temperatureinstellung Taste „-“
- D2 Temperatureinstellung Taste „+“
- E Super-Freeze-Funktion/3Sek. Eis an/aus
- F Super-Cool-Funktion
- G Wahlschalter für die Bedienfeldsperre
- H1 Auswahl Wassereinlass-Funktion
- H2 Auswahl Würfeis-Funktion
- H3 Auswahl Gecrushtes-Eis-Funktion

Anzeigen:

- a1 Auto Set-Modus
- a2 WLAN-Funktion
- b Holiday-Modus
- c Zone-Anzeige
- c1 Kühlschrank-Anzeige
- c2 Gefrierschrankanzeige
- c3 Filterrücksetzfunktion
- d Temperaturanzeige
- e1 Super-Freeze-Modus
- e2 Eiswürfelbereiter-Modus
- f Super-Cool-Modus
- g Bedienfeldsperre
- h1 Wassereinlass-Funktion
- h2 Würfeis-Funktion
- h3 Gecrushtes-Eis-Funktion





### Vor der ersten Inbetriebnahme

- ▶ Entfernen Sie sämtliches Verpackungsmaterial, bewahren Sie es außerhalb der Reichweite von Kindern auf und entsorgen Sie es umweltfreundlich.
- ▶ Reinigen Sie das Gerät innen und außen mit Wasser und einem milden Reinigungsmittel, bevor Sie Lebensmittel hineinlegen.
- ▶ Warten Sie nach dem Nivellieren und Reinigen mindestens 2-5 Stunden, bevor Sie das Gerät an die Stromversorgung anschließen. Siehe Abschnitt INSTALLATION.
- ▶ Kühlen Sie die Fächer auf hoher Stufe vor, bevor Sie die Lebensmittel einlegen. Die Power-Freeze-Funktion sorgt für eine schnelle Abkühlung des Gefrierfachs.
- ▶ Die Kühlschranktemperatur und die Gefrierschranktemperatur werden automatisch auf 5°C bzw. -18°C eingestellt. Dies sind die empfohlenen Einstellungen. Falls gewünscht, können Sie diese Temperatur manuell ändern. Siehe EINSTELLEN DER TEMPERATUR.

### Sensortasten

Die Tasten auf dem Bedienfeld sind Sensortasten, die schon bei leichter Berührung mit dem Finger ansprechen.

### Gerät ein-/ausschalten

Das Gerät ist sofort in Betrieb, wenn es an die Stromversorgung angeschlossen wird.

Die angezeigten Temperaturen zeigen die eingestellten Temperaturen im Fach an.

Möglicherweise ist die Bedienfeldsperre aktiv.



### Hinweis

Wenn das Gerät, nachdem es von der Hauptstromversorgung getrennt wurde, eingeschaltet wird, kann es bis zu 12 Stunden dauern, bis die richtigen Temperaturen erreicht sind.

Räumen Sie das Gerät vor dem Ausschalten aus. Schalten Sie das Gerät aus, indem Sie den Netzstecker aus der Steckdose ziehen.



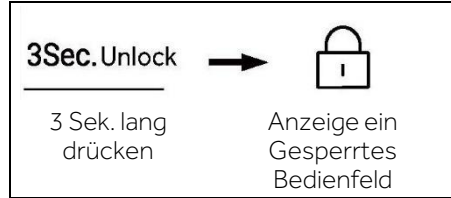
### HINWEIS

Wenn der Kühlschrank zum ersten Mal eingeschaltet wird, leuchtet die Anzeige auf. Kühl- und Gefriertemperatur werden automatisch auf 5°C bzw. -18°C eingestellt.

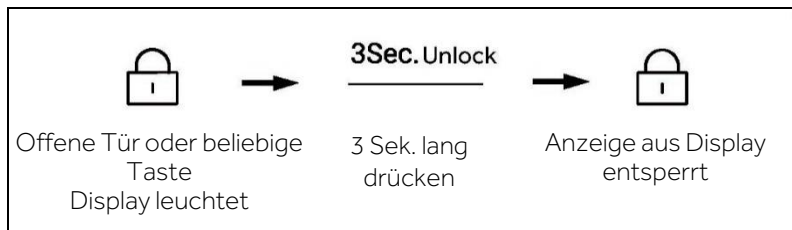


## Bedienfeld sperren/entsperren

1. Automatische Sperre: Wenn die Kühlschranktür und die Gefrierschranktür geschlossen sind und innerhalb von 30 Sekunden keine Tastenbetätigung erfolgt, wird der Bildschirm automatisch gelöscht und gesperrt.



2. Manuelle Sperre: Wenn der Bildschirm entsperrt ist, drücken Sie die Taste „G“ (Auswahl der Bedienfeldsperre) und halten Sie sie 3 Sekunden lang gedrückt; der Summer ertönt einmal, die Anzeige „g“ (Bedienfeldsperre) leuchtet auf und das Display ist gesperrt.



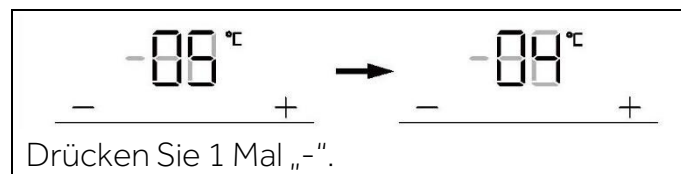
## Temperatur einstellen

Die Temperaturen im Inneren werden durch folgende Faktoren beeinflusst:

- ▶ Umgebungstemperatur
- ▶ Häufigkeit der Türöffnung
- ▶ Menge der gelagerten Lebensmittel
- ▶ Geräteinstallation

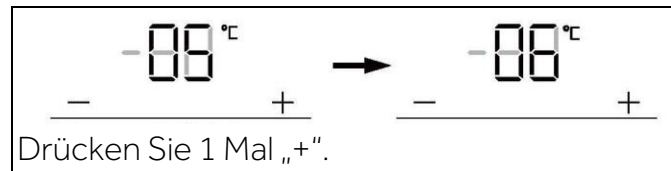
## Temperatur für Kühlschrank einstellen

1. Wenn der Bildschirm entsperrt ist, drücken Sie die Taste „C“ (Zonenauswahl). Der Summer ertönt einmal, die Anzeige „c1“ (Kühlschrankanzeige) blinkt, und dann wird der Temperatureinstellungsmodus des Kühlschranks aktiviert.
2. Drücken Sie die Taste „D1“ (Temperatureinstellungstaste „-“); der Summer ertönt einmal, die eingestellte Temperatur des Kühlschranks wird um 1 reduziert. Die Temperatur des Kühlschranks wird in der Reihenfolge „9°C > 8°C > 7°C > 6°C > 5°C > 4°C > 3°C > 2°C > 1°C“ angezeigt.



### Einstellen der Temperatur für den Kühlschrank

3. Drücken Sie die Taste „D2“ (Temperatureinstellungstaste „+“). Der Summer ertönt einmal, die eingestellte Temperatur des Kühlschranks wird um 1 erhöht. Die Temperatur des Kühlschranks wird in der Reihenfolge „1°C > 2°C > 3°C > 4°C > 5°C > 6°C > 7°C > 8°C > 9°C“ angezeigt.



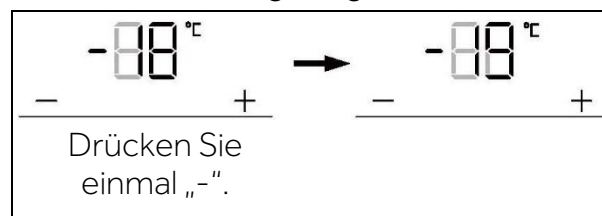
### **i** Hinweis

Wenn nach dem Einstellen der Temperatur innerhalb von 5 Sekunden kein Betätigungsvorgang erfolgt, ermittelt und speichert das System automatisch die eingestellte Temperatur.

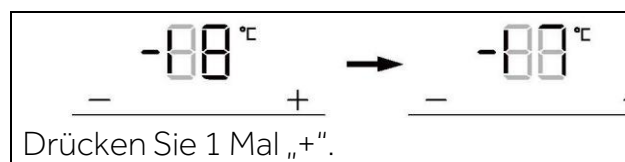
### Temperatur für Gefrierschrank einstellen

1. Wenn der Bildschirm entsperrt ist, drücken Sie die Taste „C“ (Zonenauswahl). Der Summer ertönt einmal, die Anzeige „c2“ (Gefrierschrankanzeige) blinkt, und dann wird der Temperatureinstellungsmodus des Gefrierschranks aktiviert.

2. Drücken Sie die Taste „D1“ (Temperatureinstellungstaste „-“); der Summer ertönt einmal, die eingestellte Temperatur des Gefrierschranks wird um 1 reduziert. Die Temperatur des Gefrierschranks wird in der Reihenfolge „-14°C > -15°C > -16°C > -17°C > -18°C > -19°C > -20°C > -21°C > -22°C > -23°C > -24°C“ angezeigt.



3. Drücken Sie die Taste „D2“ (Temperatureinstellungstaste „+“). Der Summer ertönt einmal, die eingestellte Temperatur des Gefrierschranks wird um 1 erhöht. Die Temperatur des Gefrierschranks wird in der Reihenfolge „-24°C > -23°C > -22°C > -21°C > -20°C > -19°C > -18°C > -17°C > -16°C > -15°C > -14°C“ angezeigt.



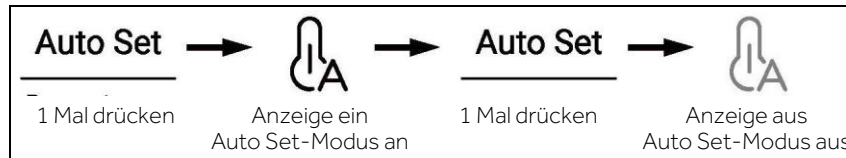
### **i** Hinweis

Wenn nach dem Einstellen der Temperatur innerhalb von 5 Sekunden kein Betätigungsvorgang erfolgt, ermittelt und speichert das System automatisch die eingestellte Temperatur.



### Auto Set-Modus

1. Wenn der Bildschirm entsperrt ist, drücken Sie die Taste „A“ (Auswahl des Auto Set-Modus), der Summer ertönt einmal, die Anzeige „a1“ (Auto Set-Modus) leuchtet auf, und die Auto Set-Funktion wird eingeschaltet.
2. Wenn die Anzeige „a1“ (Auto Set-Modus) aufleuchtet, drücken Sie die Taste „A“ (Wahlschalter für den Auto Set-Modus), der Summer ertönt einmal, die Anzeige „a1“ (Auto Set-Modus) erlischt, und die Auto Set-Funktion wird ausgeschaltet.



### Hinweis

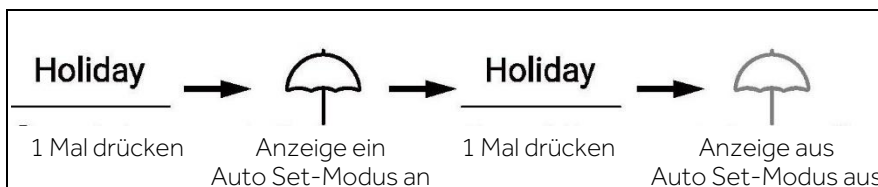
Im Auto Set-Modus kann die Kühl- oder Gefriertemperatur nicht eingestellt werden. Wenn entweder die Taste „D1“ (Temperatureinstellungstaste „-“) oder die Taste „D2“ (Temperatureinstellungstaste „+“) gedrückt wird, um die Temperatur des Kühl- oder Gefrierschranks einzustellen, blinkt die Anzeige „a1“ (Auto Set-Anzeige) und es ertönt ein Hinweis darauf, dass dieser Vorgang nicht durchgeführt werden kann.

Wenn im Auto Set-Modus die Funktion „Super-Cool“, „Super-Freeze“ oder „Holiday“ eingestellt ist, erlischt die Anzeige „a1“ (Auto Set-Modus), und die Auto Set-Funktion wird automatisch beendet.

### Holiday-Modus

Der Holiday-Modus ist dafür gedacht, den Kühlschrank über einen längeren Zeitraum nicht zu benutzen. Wenn der Holiday-Modus eingeschaltet ist, wird der Gefrierschrank normal gesteuert, und die Temperatur des Kühlschranks wird automatisch auf 17 °C eingestellt. Die tatsächliche Temperatur ist nicht höher als 17 °C, wodurch ein durch Übertemperatur verursachter Geruch vermieden und gleichzeitig der Energieverbrauch gesenkt wird.

1. Wenn der Bildschirm entsperrt ist, drücken Sie die Taste „B“ (Auswahl des Holiday-Modus), der Summer ertönt einmal, die Anzeige „b“ (Holiday-Modus) leuchtet auf, und die Holiday-Funktion wird eingeschaltet.
2. Wenn die Anzeige „b“ (Holiday-Modus) leuchtet, drücken Sie die Taste „B“ (Auswahl des Holiday-Modus), der Summer ertönt einmal, die Anzeige „b“ (Holiday-Modus) erlischt, und die Holiday-Funktion wird ausgeschaltet.



## Hinweis

Im Holiday-Status kann die Kühlschranktemperatur nicht eingestellt werden. Wenn entweder die Taste „D1“ (Temperatureinstellungstaste „-“) oder die Taste „D2“ (Temperatureinstellungstaste „+“) gedrückt wird, um die Temperatur des Kühlschranks einzustellen, blinkt die Anzeige „b“ (Holiday-Anzeige) und es ertönt ein Hinweis darauf, dass dieser Vorgang nicht durchgeführt werden kann.

Bevor Sie die Holiday-Funktion nutzen, leeren Sie bitte den Kühlschrank, um zu verhindern, dass Lebensmittel darin verderben. Wenn die Holiday-Funktion eingeschaltet ist, kann die Funktion „Auto Set“ oder die Funktion „Super-Cool“ nicht gleichzeitig eingeschaltet werden.

### „Super-Cool“-Funktion

1. Wenn der Bildschirm entsperrt ist, drücken Sie die Taste „F“ (Super-Cool-Auswahl), der Summer ertönt einmal, die Anzeige „f“ (Super-Cool-Funktion) leuchtet auf und die Super-Cool-Funktion wird eingeschaltet.
2. Wenn die Anzeige „f“ (Super-Cool-Funktion) aufleuchtet, drücken Sie die Taste „F“ (Super-Cool-Auswahl), der Summer ertönt einmal, die Anzeige „f“ (Super-Cool-Funktion) erlischt und die Super-Cool-Funktion wird ausgeschaltet.
3. Nach dem Einschalten der Super-Cool-Funktion schaltet der Kühlschrank die Funktion automatisch aus, wenn die gewählte Gradzahl erreicht ist. Wenn Sie die Funktion manuell verlassen möchten, können Sie die Taste „F“ (Super-Cool-Auswahl) drücken, um sie auszuschalten.



## Hinweis

Im Super-Cool-Status kann die Kühlschranktemperatur nicht eingestellt werden. Wenn entweder die Taste „D1“ (Temperatureinstellungstaste „-“) oder die Taste „D2“ (Temperatureinstellungstaste „+“) gedrückt wird, um die Temperatur des Kühlschranks einzustellen, blinkt die Anzeige „f“ (Super-Cool-Anzeige) und es ertönt ein Hinweis darauf, dass dieser Vorgang nicht durchgeführt werden kann.

Im Status der Super-Cool-Funktion kann die Auto-Set-Funktion oder die Holiday-Funktion aufgrund der unterschiedlichen Steuerungsmodi nicht gleichzeitig eingeschaltet werden. Wenn Sie eine Funktion wählen, die mit einer anderen Funktion in Konflikt steht, wird die ursprüngliche Funktion automatisch beendet.

## Super-Freeze-Funktion (Super-Frz)

1. Wenn der Bildschirm entsperrt ist, drücken Sie die Taste „E“ (Super-Frz-Auswahl), der Summer ertönt einmal, die Anzeige „e1“ (Super-Freeze-Funktion) leuchtet auf, und die Super-Freeze-Funktion wird eingeschaltet.
2. Wenn die Anzeige „e1“ (Super-Freeze-Funktion) aufleuchtet, drücken Sie die Taste „E“ (Super-Frz-Auswahl), der Summer ertönt einmal, die Anzeige „e1“ (Super-Freeze-Funktion) erlischt, und die Super-Freeze-Funktion wird ausgeschaltet.
3. Nach dem Einschalten der Super-Freeze-Funktion schaltet der Kühlschrank die Funktion automatisch ab, wenn die ausgewählte Temperatur erreicht ist. Wenn Sie die Funktion manuell verlassen möchten, können Sie die Taste „E“ (Super-Frz-Auswahl) drücken, um sie auszuschalten.



### Hinweis

Im Super-Freeze-Status kann die Gefriertemperatur nicht eingestellt werden. Wenn entweder die Taste „D1“ (Temperatureinstellungstaste „-“) oder die Taste „D2“ (Temperatureinstellungstaste „+“) gedrückt wird, um die Temperatur des Gefrierschranks einzustellen, blinkt die Anzeige „e1“ (Super-Frz-Anzeige) und es ertönt ein Hinweis darauf, dass dieser Vorgang nicht durchgeführt werden kann.

Im Status der Super-Freeze-Funktion kann die Auto-Set-Funktion aufgrund der unterschiedlichen Steuerungsmodi nicht gleichzeitig eingeschaltet werden. Wenn Sie eine Funktion wählen, die mit einer anderen Funktion in Konflikt steht, wird die ursprüngliche Funktion automatisch beendet.

## Filterfunktion

Wenn der Kühlschrank sechs Monate lang in Betrieb ist, leuchtet die Erinnerungsanzeige „c3“ (Filterrücksetzfunktion) auf, um den Benutzer daran zu erinnern, einen neuen Filter einzusetzen. Wenn der Filter ausgetauscht wird, halten Sie die Taste „C“ (Auswahl der Filterrücksetzfunktion) 3 Sekunden lang gedrückt, um die Erinnerung zu löschen; die Zeitmessung wird mit einem Signalton zurückgestellt.



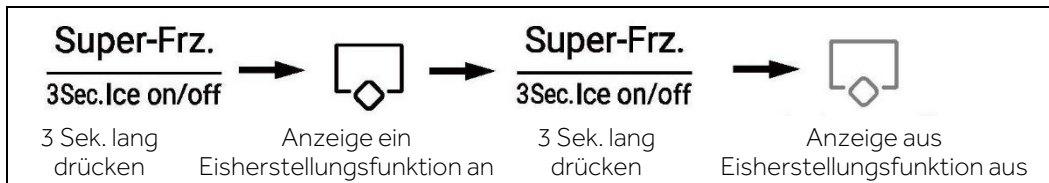
### Hinweis

Die normale Nutzungsdauer des Filters beträgt sechs Monate. Es wird empfohlen, den Filter alle sechs Monate auszutauschen.



### Eismaschinen-Modus

1. Drücken Sie im entsperrten Status die Taste „E“ (Auswahl des Eiswürfelbereiter-Modus) und halten sie für 3 Sekunden gedrückt. Der Summer ertönt einmal, die Anzeige „e2“ (Eiswürfelbereiter-Modus) leuchtet auf, und der Eiswürfelbereiter-Modus wird eingeschaltet.
2. Wenn die Anzeige „e2“ (Eiswürfelbereiter-Modus) aufleuchtet, drücken Sie die Taste „E“ (Auswahl des Eiswürfelbereiter-Modus) und halten sie für 3 Sekunden gedrückt. Der Summer ertönt einmal, die Anzeige „e2“ (Eiswürfelbereiter-Modus) erlischt, und der Eiswürfelbereiter-Modus wird ausgeschaltet.



### Hinweis

Wenn die Anwendung eingeschaltet wird, ist der Eiswürfelbereiter standardmäßig ausgeschaltet.

Wenn Sie über einen längeren Zeitraum keine Eiswürfel benötigen, schalten Sie den Eisbereiter aus, leeren Sie den Behälter und setzen Sie den gereinigten Behälter ein.

Der Eiswürfelbereiter kann nur beim Hersteller konfiguriert oder von dessen Kundendienst erworben werden.

### Wassereinlass-Funktion

Drücken Sie in einem beliebigen Status (gesperrt oder entsperrt) die Taste „H1“ (Auswahl der Wassereinlass-Funktion). Der Summer ertönt einmal, die Anzeige „h1“ (Wassereinlass-Funktion) leuchtet auf, und die Wassereinlass-Funktion wird eingeschaltet.



### Hinweis

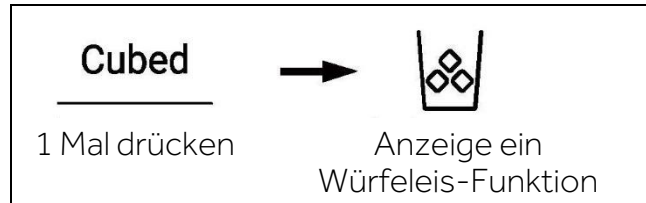
1. Wenn die Anzeige „h1“ (Wassereinlass-Funktion) aufleuchtet, erlöschen die Anzeige „h2“ (Eiswürfelfunktion) und die Anzeige „h3“ (Funktion „Gecrushtes Eis“). Nach dem Drücken des Spenderhebels fließt Wasser aus der Einlassöffnung.
2. Wenn die Wasserzulaufzeit 150 Sekunden erreicht, gibt der Kühlschrank einen Piepton ab und behält das Wasser bei, bis 180 Sekunden erreicht sind. Dann wird das Wasser abgeschaltet und das Wasserventil schaltet auf die 200-Sekunden-Schutzzeit. Danach kann wieder Wasser eingelassen werden.
3. Wenn die kumulierte Wasserzulaufzeit innerhalb von 10 Minuten 5 Minuten erreicht, schaltet das Wasserventil auf die 10-Minuten Schutzzeit; danach ist erneut der Wasserzulauf möglich.





## Eiswürfel-Funktion

Drücken Sie in einem beliebigen Status (gesperrt oder entsperrt) die Taste „H2“ (Auswahl der Eiswürfel-Funktion). Der Summer ertönt einmal, die Anzeige „h2“ (Eiswürfel-Funktion) leuchtet auf, und die Eiswürfel-Funktion wird eingeschaltet.

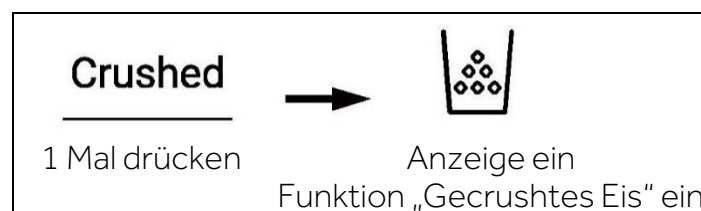


## Hinweis

1. Wenn die Anzeige „h2“ (Eiswürfel-Funktion) aufleuchtet, erlöschen die Anzeige „h1“ (Wassereinlass-Funktion) und die Anzeige „h3“ (Funktion „Gecrushtes Eis“). Wenn der Mikroschalter des Verteilers gedrückt wird, werden die Eiswürfel aus der Zulauföffnung ausgegeben.
2. Wenn der Eisbereiter zum ersten Mal an das Stromnetz angeschlossen wird, ist die Eiswürfel-Funktion standardmäßig ausgeschaltet.
3. Drücken Sie den Mikroschalter des Spenders. Das Licht schaltet sich bei geöffnetem Deckel ein. Dann beginnt sich der Motor des Eiszerkleinerers gegen den Uhrzeigersinn zu drehen, um die Eiswürfel zu schieben. Lösen Sie den Mikroschalter des Spenders. Der Motor des Eiszerkleinerers stoppt. Der Deckel des Spenders schließt sich nach 5 Sekunden und das Licht geht aus.
4. Wenn die Eiswürfel-Zeit im Eiswürfel-Status mehr als 50 Sekunden beträgt, ertönt ein akustisches Signal (Klopfen), um den Benutzer darauf hinzuweisen, das Gerät abzuschalten. Wenn die Zeit 1 Minute erreicht, wird die Eiswürfelbereitung zwangsweise gestoppt. Die Funktion wird beim nächsten Drücken des Schalters wirksam.
5. Wenn die Kühlschranktür im Status „Eiswürfel“ geöffnet wird, stoppt der Motor, der das Eis ausgibt, der Deckel des Spenders wird geschlossen, die Beleuchtung des Spenders wird ausgeschaltet und die Eiswürfelproduktion wird gestoppt.
6. Es ist verboten, bei geöffneter Kühlschranktür Eiswürfel auszugeben.

## Funktion „Gecrushtes Eis“

Drücken Sie in einem beliebigen Status (gesperrt oder entsperrt) die Taste „H3“ (Auswahl der Funktion „Gecrushtes Eis“). Der Summer ertönt einmal, die Anzeige „h3“ (Funktion „Gecrushtes Eis“) leuchtet auf und die Funktion „Gecrushtes Eis“ wird eingeschaltet.





## Hinweis

Wenn die Anzeige „h3“ (Funktion „Gecrushtes Eis“) aufleuchtet, erlöschen die Anzeige „h1“ (Wassereinlass-Funktion) und die Anzeige „h2“ (Eiswürfel-Funktion). Wenn der Mikroschalter des Verteilers gedrückt wird, wird zerstoßenes Eis aus der Zulauföffnung ausgegeben.

Drücken Sie den Mikroschalter des Spenders. Das Licht schaltet sich bei geöffnetem Deckel ein. Dann beginnt sich der Motor des Eiszerkleinerers im Uhrzeigersinn zu drehen, um die Eiswürfel zu schieben. Lösen Sie den Mikroschalter des Spenders. Der Motor des Eiszerkleinerers stoppt. Der Deckel des Spenders schließt sich nach 5 Sekunden und das Licht geht aus.

Wenn die Zeit der Eiszerkleinerung im Status „Gecrushtes Eis“ mehr als 50 Sekunden beträgt, ertönt ein akustisches Signal (Klopfen), um den Benutzer darauf hinzuweisen, das Gerät abzuschalten. Wenn die Zeit 1 Minute erreicht, wird die Eiszerkleinerung zwangsweise gestoppt. Die Funktion wird beim nächsten Drücken des Schalters wirksam.

Wenn die Kühlschranktür im Status „Gecrushtes Eis“ geöffnet wird, stoppt der Motor, der das Eis ausgibt, der Deckel des Spenders wird geschlossen, die Beleuchtung des Spenders wird ausgeschaltet und die Eiszerkleinerung wird gestoppt.

Es ist verboten, Eis bei geöffneter Kühlschranktür zu zerkleinern.

## Türöffnungsalarm

Wenn eine Tür zu lange offen bleibt oder nicht richtig geschlossen wird, gibt der Kühlschrank in bestimmten Abständen einen Alarmton ab, um Sie daran zu erinnern, die Tür rechtzeitig zu schließen.

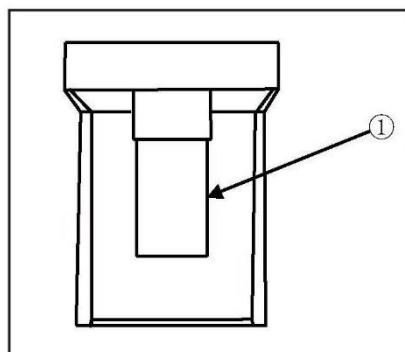
## Ausschaltspeicher

Der momentane Betriebsstatus des Geräts bei Ausschaltung wird gespeichert. Nach dem erneuten Einschalten funktioniert das Gerät immer noch so, wie es vor dem Ausschalten eingestellt war.

## Verwendung des Eis- und Wasserspenders

Drücken Sie die Spenderwahltaste so oft, bis die Leuchte über der gewünschten Anzeige leuchtet.

Drücken Sie mit einem Glas oder einem anderen Behälter auf den Spender (1), um Eiswürfel, Wasser oder zerstoßenes Eis auszugeben.

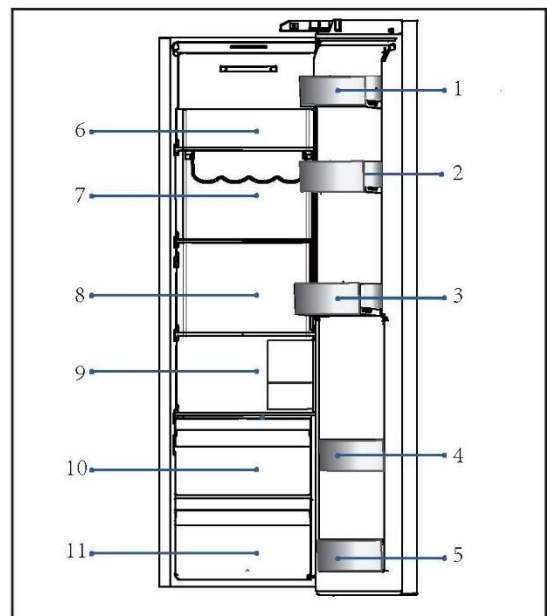


## TIPPS ZUM LAGERN FRISCHER LEBENSMITTEL

### Aufbewahrung im Kühlfach

1. Halten Sie die Temperatur Ihres Kühlschranks unter 5 °C.
2. Heiße Lebensmittel vor der Aufbewahrung im Kühlschrank auf Raumtemperatur abkühlen lassen.
3. Lebensmittel sollten vor der Aufbewahrung im Kühlschrank gewaschen und abgetrocknet werden.
4. Die aufzubewahrenden Lebensmittel sollten gut verschlossen sein, um Geruchs- oder Geschmacksveränderungen zu vermeiden.
5. Lagern Sie keine übermäßigen Mengen an Lebensmittel. Lassen Sie Zwischenräume zwischen den Lebensmitteln, damit die kalte Luft zirkulieren kann, um eine bessere und gleichmäßigere Kühlung zu erreichen.
6. Lebensmittel, die täglich verzehrt werden, sollten im vorderen Teil des Regals gelagert werden.
7. Lassen Sie Platz zwischen den Lebensmitteln und den Innenwänden, damit die Luft zirkulieren kann. Lagern Sie Lebensmittel insbesondere nicht an der Rückwand, da sie dort festfrieren könnten. Vermeiden Sie den direkten Kontakt von Lebensmitteln (insbesondere bei öligen oder säurehaltigen Lebensmitteln) mit der Innenauskleidung, da Öl/Säure diese angreifen kann. Reinigen Sie ölige/saure Verschmutzungen sofort, wenn Sie sie sehen.
8. Tauen Sie gefrorene Lebensmittel im Vorratsfach des Kühlschranks auf. Auf diese Weise können Sie die gefrorenen Lebensmittel verwenden, um die Temperatur im Fach zu senken und Energie zu sparen.
9. Die Reifung von Obst und Gemüse wie Zucchini, Melonen, Papayas, Bananen, Ananas usw. kann im Kühlschrank beschleunigt werden. Daher sollten sie nicht im Kühlschrank aufbewahrt werden. Die Reifung von noch grünem Obst kann im Kühlschrank jedoch auch beschleunigt werden. Zwiebeln, Knoblauch, Ingwer und anderes Wurzelgemüse sollten ebenfalls bei Raumtemperatur gelagert werden.
10. Unangenehme Gerüche im Inneren des Kühlschranks sind ein Zeichen dafür, dass etwas verschüttet wurde und gesäubert werden muss. Siehe PFLEGE UND REINIGUNG.
11. Verschiedene Lebensmittel sollten entsprechend ihrer Eigenschaften an verschiedenen Stellen eingeräumt werden:

- 1-Butter, Käse usw.
- 2-Eier, Konserven, Gewürze usw.
- 3/4/5-Getränke und Lebensmittel in Flaschen.
- 6-Eingelegte Lebensmittel, Konserven usw.
- 7/8-Fleischerzeugnisse, Fisch, Rohkost
- 9-Dosen, Molkereiprodukte usw.
- 10-Obst, Gemüse, Salat usw.
- 11-Gekochtes Fleisch, Würste usw.

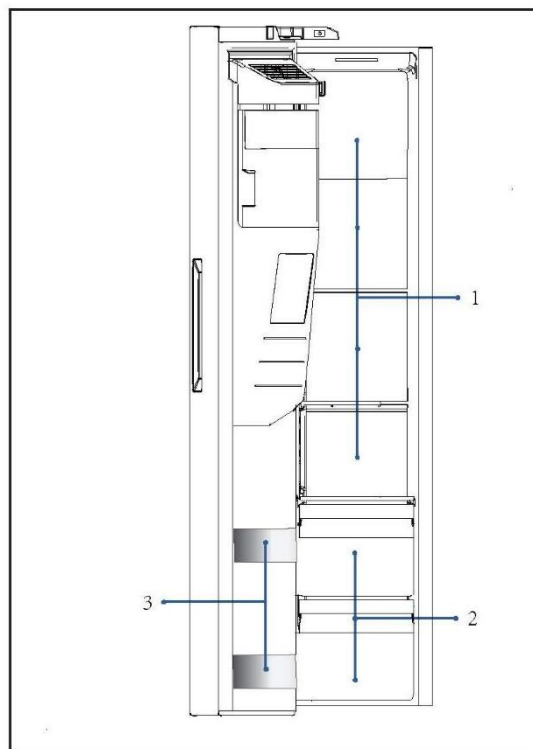


## TIPPS ZUM LAGERN FRISCHER LEBENSMITTEL

### Einlagerung im Gefrierfach

1. Halten Sie die Gefriertemperatur bei  $-18^{\circ}\text{C}$ .
2. 12 Stunden vor dem Einfrieren zusätzlicher Lebensmittel die Super-Freeze-Funktion einschalten; bei kleinen Mengen an Lebensmitteln reichen 4-6 Stunden.
3. Heiße Lebensmittel vor der Lagerung im Gefrierschrank auf Raumtemperatur abkühlen lassen.
4. In kleine Portionen geschnittene Lebensmittel frieren schneller ein und lassen sich leichter auftauen und garen. Das empfohlene Gewicht für jede Portion beträgt höchstens 2,5 kg.
5. Lebensmittel verpacken, bevor Sie sie in den Gefrierschrank legen. Die Außenseite der Verpackung muss trocken sein, damit die Gefrierbeutel nicht aneinander kleben. Verpackungsmaterialien sollten geruchsfrei, luftdicht, lebensmittelecht und ungiftig sein.
6. Damit das Verfallsdatum nicht abläuft, notieren Sie sich das Einfrierdatum, das Verfallsdatum und den Namen des Lebensmittels auf der Verpackung. Unterschiedliche Lebensmittel können unterschiedlich lange gelagert werden.
7. **WARNUNG!:** Säuren, Laugen und Salze usw. könnten die Innenfläche des Gefrierschranks erodieren. Legen Sie die Lebensmittel, die diese Stoffe enthalten (z. B. Seefisch), nicht direkt auf die Innenfläche. Ausgetropftes Salzwasser im Gefrierschrank sollte sofort beseitigt werden.
8. Überschreiten Sie nicht die von den Herstellern empfohlene Haltbarkeitsdauer der Lebensmittel. Nehmen Sie nur die benötigte Menge an Lebensmitteln aus dem Gefrierschrank.
9. Verschiedene Lebensmittel sollten entsprechend ihrer Eigenschaften an verschiedenen Stellen eingeräumt werden:

- 1- Leichtere Produkte wie Eis, Gemüse, Brot usw.
- 2- Große/schwere Lebensmittelportionen, wie z. B. Fleischstücke zum Braten
- 3- Pizza usw.





## HINWEIS: LAGERUNG

1. Halten Sie einen Abstand von mehr als 10 mm zwischen den Lebensmitteln und dem Sensor ein, um die Kühlwirkung zu gewährleisten.
2. Lassen Sie die unterste Schublade im Gerät, wenn es in Betrieb ist, um die Kühlwirkung zu gewährleisten.
3. Lebensmittel wie Eiscreme usw., sollten im Gefrierfach und nicht in den Flaschenhaltern gelagert werden. Die Temperaturschwankungen, denen die Flaschenhalter durch das Öffnen und Schließen der Tür ausgesetzt sind, können die Lebensmittel auftauen.
4. Verbrauchen Sie aufgetaute Lebensmittel schnell. Aufgetaute Lebensmittel können nur dann wieder eingefroren werden, wenn sie vorher gekocht werden, da sie sonst ungenießbar werden.
5. Legen Sie keine übermäßigen Mengen an frischen Lebensmitteln in das Gefrierfach. Informieren Sie sich über die Gefrierkapazität des Gefrierschranks. - Siehe TECHNISCHE DATEN oder Daten auf dem Typenschild.
6. Lebensmittel können im Gefrierschrank bei einer Temperatur von mindestens  $-18\text{ °C}$  je nach Beschaffenheit 2 bis 12 Monate gelagert werden (z. B. Fleisch: 3-12 Monate, Gemüse: 6-12 Monate)
7. Vermeiden Sie beim Einfrieren frischer Lebensmittel den Kontakt mit bereits gefrorenen Lebensmitteln. Es besteht die Gefahr, dass diese auftauen!
8. Tauen Sie gefrorene Lebensmittel im Kühlschrank auf. Auf diese Weise können Sie die gefrorenen Lebensmittel verwenden, um die Temperatur im Fach zu senken und Energie zu sparen.

### **Beachten Sie bei der Lagerung von handelsüblicher Tiefkühlware diese Richtlinien:**

1. Befolgen Sie immer die Richtlinien der Hersteller, die angeben, wie lange die Lebensmittel aufbewahrt werden können. Überschreiten Sie die Haltbarkeitsdaten nicht.
2. Versuchen Sie, die Zeitspanne zwischen Einkauf und Lagerung so kurz wie möglich zu halten, um die Lebensmittelqualität zu erhalten.
3. Kaufen Sie Tiefkühlkost, die bei einer Temperatur von  $-18\text{ °C}$  oder darunter gelagert wurde.
4. Vermeiden Sie den Kauf von Lebensmitteln, die Eis oder Reif auf der Verpackung haben. Dies deutet darauf hin, dass die Produkte möglicherweise teilweise aufgetaut und irgendwann wieder eingefroren wurden. Temperaturerhöhungen beeinträchtigen die Qualität der Lebensmittel.



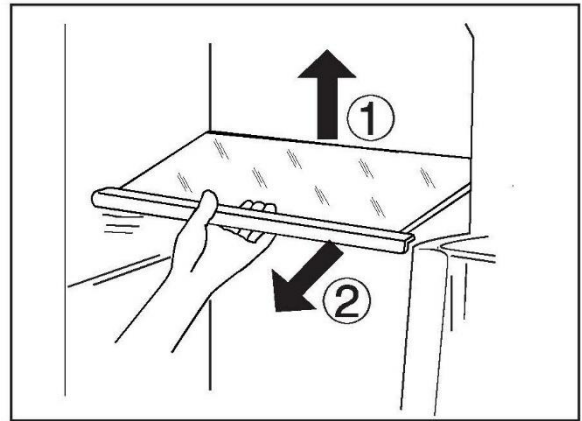
## Energiespartipps

- ▶ Stellen Sie sicher, dass das Gerät ordnungsgemäß belüftet ist (siehe INSTALLATION).
- ▶ Stellen Sie das Gerät nicht in direktem Sonnenlicht oder in der Nähe von Hitzequellen (z. B. Herden, Heizungen) auf.
- ▶ Vermeiden Sie unnötig niedrige Temperaturen im Gerät. Je niedriger die im Gerät eingestellte Temperatur, umso höher der Energieverbrauch.
- ▶ Funktionen wie POWER- FREEZE verbrauchen mehr Energie.
- ▶ Lassen Sie warme Mahlzeiten abkühlen, bevor Sie diese in den Kühlschrank stellen.
- ▶ Öffnen Sie die Gerätetür so wenig und so kurz wie möglich.
- ▶ Achten Sie darauf, das Gerät nicht zu überladen, um den Luftstrom nicht zu behindern.
- ▶ Vermeiden Sie Luft innerhalb der Lebensmittelverpackung.
- ▶ Halten Sie die Türdichtungen sauber, damit die Tür immer richtig schließt.
- ▶ Tauen Sie gefrorene Lebensmittel im Vorratsfach des Kühlschranks auf.
- ▶ Die energiesparendste Konfiguration erfordert, dass das Gerät Schubladen, Lebensmittelboxen und Einlegeböden in fabriksauberem Zustand enthält, und die Lebensmittel sollten so weit wie möglich von den Auslässen des Luftkanals eingeräumt werden und diesen nicht blockieren.



### Verstellbare Einlegeböden

1. Die Höhe der Einlegeböden kann an Ihren Lagerbedarf angepasst werden.
2. Um einen Einlegeboden zu versetzen, heben Sie ihn an der Hinterkante an ① und ziehen Sie ihn heraus ②.
3. Um ihn wieder einzubauen, setzen Sie ihn auf die Träger an beiden Seiten und schieben sie ihn ganz nach hinten, bis die Rückseite des Einlegebodens in den Schlitzen an den Seiten steckt.

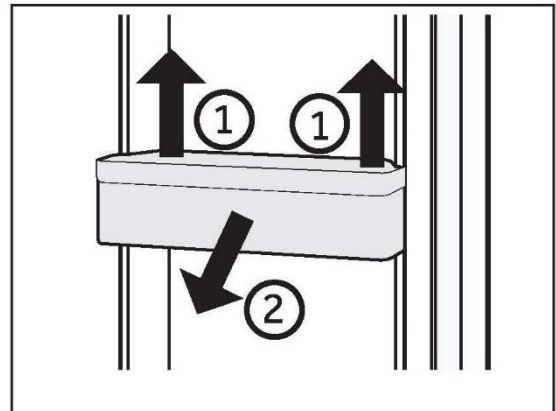


### HINWEIS

Prüfen Sie, ob alle Seiten des Einlegebodens waagrecht sind.

### Abnehmbare Türfächer/Flaschenhalter

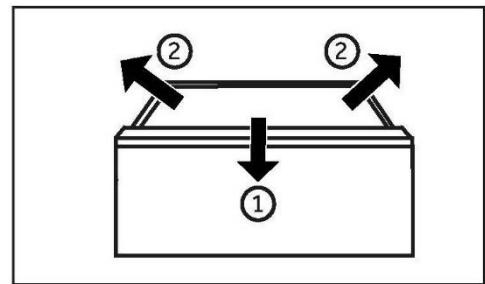
1. Die Türablagen/Flaschenhalter können zur Reinigung herausgenommen werden:
2. Halten Sie dazu die Ablage/Flaschenhalter mit beiden Händen fest, heben Sie sie nach oben ① und ziehen Sie sie heraus ②.
3. Um die Ablage/Flaschenhalter wieder einzusetzen, werden die oben genannten Schritte in umgekehrter Reihenfolge durchgeführt.



### Herausnehmbare Schublade

Um die Schublade herauszunehmen, diese bis zum Anschlag herausziehen ①, anheben und herausnehmen ②.

Um die Schublade wieder einzusetzen, werden die oben genannten Schritte in umgekehrter Reihenfolge durchgeführt.



### Eisbehälter

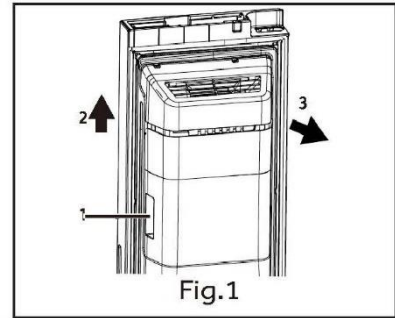
#### Stoppen der Eisproduktion

Wenn über einen längeren Zeitraum kein Eis oder Wasser benötigt wird, kann das Ventil zwischen der Wasserzufuhr und dem Gerät abgestellt werden.

Der Eisbehälter sollte gereinigt, getrocknet und wieder in das Gerät eingesetzt werden, um die Entstehung von Gerüchen zu vermeiden.

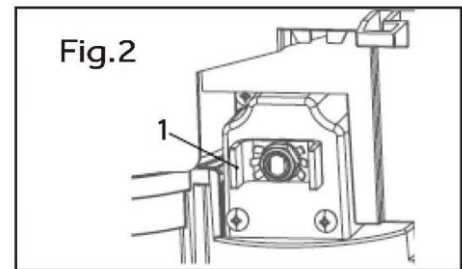
### Herausnehmen des Eisbehälters

1. Greifen Sie in beide Seitenbügel.
2. Heben Sie den Behälter an.
3. Ziehen Sie den Behälter heraus.



### Wiedereinbau des Eisbehälters

Um den Eisbehälter wieder einzubauen, muss die U-förmige Halterung hinter dem Eisbehälter (1 in Abb.2) auf das entsprechende Metallteil gesetzt werden. Führen Sie die Schritte aus Abb.1 in umgekehrter Reihenfolge aus.



### HINWEIS

Feuchtigkeit kann kondensieren und den Eisbehälter festfrieren lassen.



### WARNUNG!

Trennen Sie das Gerät vor der Reinigung von der Stromversorgung.

### Reinigung

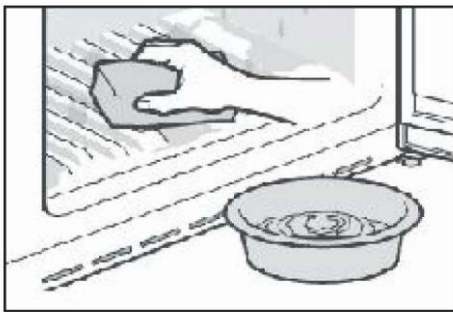
Reinigen Sie das Gerät, wenn nur wenig oder keine Lebensmittel gelagert werden.

Das Gerät sollte alle vier Wochen gereinigt werden, um eine gute Wartung zu gewährleisten und um schlechte Gerüche von gelagerten Lebensmitteln zu vermeiden.



### WARNUNG!

- ▶ Reinigen Sie das Gerät nicht mit harten Bürsten, Drahtbürsten, Reinigungspulver, Benzin, Amylacetat, Aceton und ähnlichen organischen Lösungen, Säure oder Alkalilösungen. Reinigen Sie das Gerät mit einem speziellen Reinigungsmittel für Kühlgeräte, um Beschädigungen zu vermeiden.
- ▶ Das Gerät während der Reinigung nicht besprühen oder mit Wasser beschütten.
- ▶ Das Gerät nicht mit Wasser besprühen oder mit Dampf reinigen.
- ▶ Die kalten Einlegeböden aus Glas nicht mit heißem Wasser reinigen. Plötzliche Temperaturschwankungen können dazu führen, dass das Glas zerspringt.
- ▶ Berühren Sie nicht die Innenfläche des Gefrierschranks, insbesondere nicht mit nassen Händen, da Ihre Hände an der Oberfläche festfrieren könnten.
- ▶ Überprüfen Sie bei eventuellem Temperaturanstieg den Zustand des Gefrierguts.



- ▶ Die Türdichtung immer sauber halten.
  - ▶ Reinigen Sie das Innere und das Gehäuse des Geräts mit einem Schwamm, der mit warmem Wasser und einem neutralen Reinigungsmittel angefeuchtet wurde.
1. Säubern Sie den Kühlschrank außen und innen, einschließlich Türdichtungen, Türablage, Einlegeböden aus Glas, Schubladen usw., gründlich mit einem weichen Geschirrtuch oder einem Schwamm mit warmem Wasser (eventuell mit etwas neutralem Reinigungsmittel im Wasser).
  2. Wenn Flüssigkeit verschüttet wurde, nehmen Sie alle verschmutzten Teile heraus, spülen Sie sie unter fließendem Wasser ab, trocknen Sie sie ab und setzen Sie sie wieder in den Kühlschrank.
  3. Bei verschütteten Milchprodukten (z. B. Sahne, schmelzendes Eis) entfernen Sie die verunreinigten Teile, legen Sie sie für eine Weile in ca. 40 °C warmes Wasser, spülen Sie sie dann unter fließendem Wasser ab, trocknen Sie sie ab, und setzen Sie sie wieder in den Kühlschrank ein.
  4. Falls ein kleines Teil oder Krümel im Inneren des Kühlschranks (zwischen die Ablagen oder Schubladen) festsitzen, lösen Sie die Verunreinigung mit einer weichen Zahnbürste. Wenn Sie die Verunreinigung nicht entfernen konnten, wenden Sie sich bitte an den Haier-Kundendienst.
- ▶ Wischen Sie den Kühlschrank mit einem feuchten Tuch gründlich aus und trocknen Sie ihn mit einem weichen Tuch ab.
  - ▶ Reinigen Sie Geräteteile nicht in einer Geschirrspülmaschine.





- ▶ Warten Sie vor dem Neustart des Geräts mindestens 5 Minuten, da ein häufiger Neustart den Kompressor beschädigen kann.

### Abtauen

Das Abtauen des Kühl- und Gefrierschranks erfolgt automatisch, es ist keine manuelle Tätigkeit erforderlich.

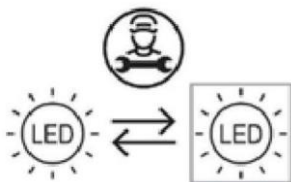
Austausch der LED-Leuchten



### WARNUNG!

Wechseln Sie die LED nicht selbst. Sie darf nur vom Hersteller oder von einem autorisierten Service-Mitarbeiter ausgetauscht werden.

Die Leuchte nutzt als Lichtquelle eine LED mit geringem Energieverbrauch und langer Lebensdauer. Bei Anomalien wenden Sie sich bitte an den Kundenservice. Siehe KUNDENSERVICE.



Lichtquelle (nur LED), die durch einen Fachmann ausgetauscht werden muss.

Dieses Produkt enthält eine Lichtquelle der Energieeffizienzklasse G.

Gerätech	Spannung	Energieeffizienzklasse	Modell
Kühlschrank	12V	G	HSW59F18DIMM
Gefrierschrank	12V	G	HSW79F18DIPT
Hintere Leuchte	12V	G	HSW79F18DIPT

### Reinigung des Eisbehälters

Reinigen Sie den Eisbehälter regelmäßig mit warmem Wasser, vor allem, wenn die Eiswürfel alt und abgestanden sind. Trocknen Sie den Behälter gut ab, bevor Sie ihn wieder in das Gerät einsetzen, damit die Eiswürfel nicht an den Wänden haften bleiben.

### Nichtverwendung für einen längeren Zeitraum

Wenn das Gerät über einen längeren Zeitraum nicht benutzt wird und Sie die Holiday-Funktion für den Kühlschrank nicht verwenden:

- ▶ Nehmen Sie die Lebensmittel heraus.
- ▶ Ziehen Sie das Netzkabel ab.
- ▶ Reinigen Sie das Gerät wie oben beschrieben.
- ▶ Lassen Sie die Türen auf, um die Bildung von schlechten Gerüchen zu verhindern.



### HINWEIS

Schalten Sie das Gerät nur aus, wenn es unbedingt nötig ist.



### Verstellen des Geräts

1. Nehmen Sie alle Lebensmittel heraus und ziehen Sie den Gerätestecker aus der Steckdose.
2. Fixieren Sie die Einlegeböden und andere bewegliche Teile im Kühlschrank und im Gefrierschrank mit Klebeband.
3. Den Kühlschrank um maximal 45° kippen, um eine Beschädigung des Kühlsystems zu vermeiden.



### WARNUNG!

- ▶ Heben Sie das Gerät nicht an seinen Griffen an.
- ▶ Stellen Sie das Gerät niemals waagrecht auf den Boden.

### Auswechseln des Filters

Der Wasserfilter muss ca. alle 6 Monate gewechselt werden, wenn die Anzeige „c3“ (Filter Reset Funktion) aufleuchtet.

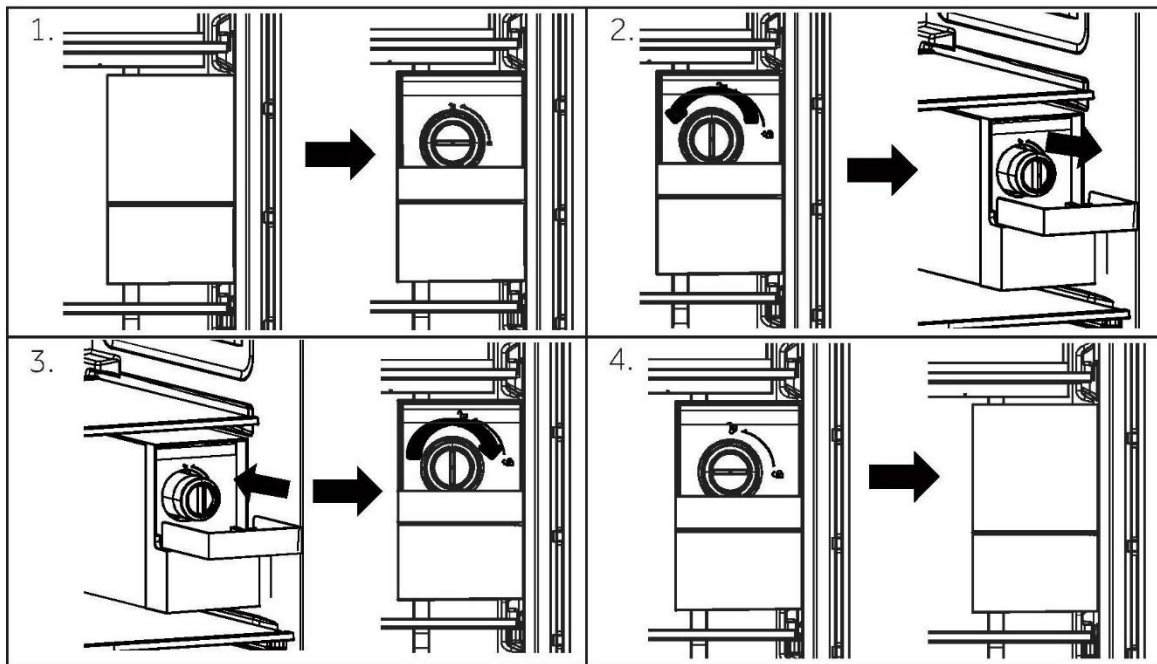
Zum Kauf eines Ersatz-Wasserfilters:

- Verwenden Sie eine Ersatzpatrone: HRXWF,
- Besuchen Sie Ihren Vertreter oder Händler vor Ort. Weitere Informationen finden Sie auf unserer Website [www.haiersparses.eu](http://www.haiersparses.eu)



### Hinweis

- ▶ Beim Auswechseln des Wasserfilters läuft eine kleine Menge Wasser (ca. 25 cm<sup>3</sup> (1 oz)) aus.
  - ▶ Wickeln Sie ein Tuch um das vordere Ende des Wasserfilterdeckels, um eventuell auslaufendes Wasser aufzufangen. Halten Sie den Wasserfilter nach dem Herausnehmen aufrecht, um zu verhindern, dass Restwasser aus dem Wasserfilter ausläuft.
1. Drücken Sie die Mitte der oberen Abdeckung nach unten und klappen Sie sie um.
  2. Entfernen Sie den Einweg-Wasserfilter.
  3. Ersetzen Sie ihn durch einen neuen Wasserfilter. Setzen Sie den neuen Filter in den Filterkopf ein und drehen Sie ihn so lange im Uhrzeigersinn, bis der Pfeil auf dem neuen Filter mit dem Pfeil auf dem Filterkopf übereinstimmen. Schwenken Sie den Filter zurück in das Fach.
  4. Schließen Sie den Wasserfilterdeckel.



5. Halten Sie die Taste 3Sec.Filter Reset 3 Sekunden lang gedrückt.
6. Lassen Sie etwa 5 Minuten lang Wasser laufen, um eingeschlossene Luft und Verunreinigungen zu entfernen.



## VORSICHT!

- ▶ Wenn Sie die Filter nicht rechtzeitig austauschen oder nicht von Haier zugelassene Wasserfilter verwenden, kann die Filterpatrone undicht werden und zu Sachschäden führen.

### Wasserfilter

#### Modell: Haier HRXWF

- ▶ Das System ist von IAPMO R&T gemäß den NSF/ANSI-Normen 42, 53, 401 und P473 für die im Leistungsdatenblatt und unter [iapmort.org](http://iapmort.org) angegebene Reduzierung der Ansprüche zertifiziert.
- ▶ Die tatsächliche Leistung kann je nach den örtlichen Wasserbedingungen variieren.

#### Anwendungsrichtlinien/Wasserversorgungsparameter

Durchfluss im Betrieb: 1,89 lpm (0,5 gpm)

Wasserversorgung: Trinkwasser

Wasserdruck: 172-827 kPa (25-120 psi)

Wassertemperatur: 0,6°C-38°C

Leistung: 643,5 l (170 gal)

Es ist wichtig, dass die vom Hersteller empfohlenen Installations-, Wartungs- und Filterwechselanforderungen eingehalten werden, damit das Produkt die angegebene Leistung erbringen kann. Siehe Installationshandbuch für Informationen zur Garantie.



### Hinweis

Obwohl die Tests unter Standard-Laborbedingungen durchgeführt wurden, kann die tatsächliche Leistung abweichen. Ersatzpatrone: HRXWF Kostenvoranschläge für Ersatzelemente finden Sie auf unserer Website unter [www.haierspars.eu](http://www.haierspars.eu).



### WARNUNG!

- ▶ Zur Verringerung des mit der Aufnahme von Schadstoffen verbundenen Risikos:
- ▶ Verwenden Sie kein Wasser, das mikrobiologisch unsicher oder von unbekannter Qualität ist, ohne eine angemessene Desinfektion vor und nach dem System. Systeme, die für die Zystenreduzierung zertifiziert sind, können für desinfiziertes Wasser verwendet werden, das filtrierbare Zysten enthalten kann.

### Hinweis

#### **Zur Verringerung des Risikos von Wasserlecks oder Überschwemmungen und zur Gewährleistung einer optimalen Filterleistung:**

- ▶ Lesen und befolgen Sie die Gebrauchsanweisung, bevor Sie dieses System installieren und benutzen.
- ▶ Installation und Verwendung MÜSSEN allen staatlichen und örtlichen Vorschriften für Sanitärinstallationen entsprechen.
- ▶ Installieren Sie das System nicht, wenn der Wasserdruck über 827 kPa (120 psi) liegt. Wenn der Wasserdruck 552 kPa (80 psi) übersteigt, müssen Sie ein Druckbegrenzungsventil installieren. Wenden Sie sich an einen Sanitärfachmann, wenn Sie unsicher sind, wie Sie Ihren Wasserdruck überprüfen können.
- ▶ Vermeiden Sie die Installation an Orten, an denen Wasserschläge auftreten können. Wenn Wasserschläge auftreten, müssen Sie einen Wasserschlagschutz installieren. Wenden Sie sich an einen Sanitärfachmann, wenn Sie nicht sicher sind, wie Sie diesen Zustand feststellen können.
- ▶ Vermeiden Sie die Installation an Warmwasserleitungen. Die maximale Betriebswassertemperatur dieses Filtersystems beträgt 38°C.
- ▶ Schützen Sie den Filter vor dem Einfrieren. Entleeren Sie den Filter, wenn die Temperatur unter 0,6°C fällt.
- ▶ Wechseln Sie die Einweg-Filterpatrone alle sechs Monate oder früher, wenn Sie eine merkliche Verringerung der Wasserdurchflussmenge feststellen.
- ▶ Wird die Einweg-Filterpatrone nicht in den empfohlenen Intervallen ausgetauscht, kann dies zu einer verminderten Filterleistung und zu Rissen im Filtergehäuse führen, die Wasserlecks oder Überschwemmungen verursachen.
- ▶ Dieses System wurde gemäß NSF/ANSI 42, 53, 401 und P473 auf die Reduzierung der unten aufgeführten Stoffe getestet. Die Konzentration der angegebenen Stoffe im Wasser, das im System zugeführt wird, wurde auf eine Konzentration reduziert, die kleiner oder gleich dem zulässigen Grenzwert für das Wasser ist, das das System verlässt, wie in NSF/ANSI 42, 53, 401 und P473 angegeben.



Viele auftretende Probleme können von Ihnen selbst ohne spezifische Fachkenntnisse gelöst werden. Bei Problemen prüfen Sie bitte alle angezeigten Möglichkeiten und befolgen Sie die nachstehenden Anweisungen, bevor Sie einen Kundendienst kontaktieren. Siehe KUNDENSERVICE.



## WARNUNG!

- ▶ Das Gerät vor der Wartung deaktivieren und den Netzstecker aus der Steckdose ziehen.
- ▶ Elektrische Geräte sollten nur von qualifizierten Fachelektrikern repariert werden, da unsachgemäße Reparaturen erhebliche Folgeschäden verursachen können.
- ▶ Eine beschädigte Lieferung sollte nur vom Hersteller, von seinem Service-Mitarbeiter oder einer gleichwertig qualifizierten Person ausgetauscht werden, um jegliches Risiko zu vermeiden.

Problem	Mögliche Ursache	Mögliche Behebung
Der Kompressor funktioniert nicht.	<ul style="list-style-type: none"> <li>• Der Netzstecker ist nicht an die Steckdose angeschlossen.</li> <li>• Das Gerät befindet sich im Abtauvorgang.</li> </ul>	<ul style="list-style-type: none"> <li>• Den Netzstecker anschließen.</li> <li>• Dies ist normal für eine automatische Abtauung.</li> </ul>
Das Gerät läuft häufig oder zu lange.	<ul style="list-style-type: none"> <li>• Die Innen- oder Außentemperatur ist zu hoch.</li> <li>• Das Gerät wurde über einen längeren Zeitraum ausgeschaltet.</li> <li>• Eine Gerätetür wurde nicht richtig geschlossen.</li> <li>• Die Tür wurde zu häufig oder zu lange geöffnet.</li> <li>• Die Temperatur für den Gefrierschrank ist zu niedrig.</li> <li>• Die Türdichtungen sind verschmutzt, verschlissen, gerissen oder verrutscht.</li> <li>• Die erforderliche Luftzirkulation ist nicht gewährleistet.</li> </ul>	<ul style="list-style-type: none"> <li>• In diesem Fall ist es normal, dass das Gerät länger läuft.</li> <li>• Normalerweise dauert es 8 bis 12 Stunden, bis das Gerät vollständig abgekühlt ist.</li> <li>• Die Tür/Schublade schließen und sicherstellen, dass das Gerät auf einem ebenem Untergrund steht und dass keine Lebensmittel oder Behälter gegen die Tür stoßen.</li> <li>• Die Tür/Schublade nicht zu häufig öffnen.</li> <li>• Die Temperatur höher einstellen, bis eine zufriedenstellende Kühlschranktemperatur erreicht ist. Es dauert 24 Stunden, bis sich die Kühlschranktemperatur stabilisiert hat.</li> <li>• Die Tür-/Schubladendichtungen reinigen oder vom Kundendienst ersetzen lassen.</li> <li>• Für ausreichende Belüftung sorgen.</li> </ul>
Das Innere des Kühlschranks ist schmutzig und/oder übelriechend.	<ul style="list-style-type: none"> <li>• Das Innere des Kühlschranks muss gereinigt werden.</li> <li>• Lebensmittel mit starkem Geruch werden im Kühlschrank gelagert.</li> </ul>	<ul style="list-style-type: none"> <li>• Das Innere des Kühlschranks reinigen.</li> <li>• Packen Sie die Lebensmittel sorgfältig ein.</li> </ul>



Problem	Mögliche Ursache	Mögliche Behebung
Das Gerät macht abnormale Geräusche.	<ul style="list-style-type: none"><li>• Das Gerät befindet sich nicht auf einem ebenen Untergrund.</li><li>• Das Gerät berührt einige Gegenstände um es herum.</li></ul>	<ul style="list-style-type: none"><li>• Die Füße entsprechend einstellen, um das Gerät zu nivellieren.</li><li>• Die Gegenstände um das Gerät herum entfernen.</li></ul>
Das Innere des Geräts ist nicht kalt genug.	<ul style="list-style-type: none"><li>• Die Temperatur ist zu hoch eingestellt. Es wurden zu warme Lebensmittel eingelagert.</li><li>• Es wurden zu viele Lebensmittel auf einmal hineingelegt.</li><li>• Die Lebensmittel liegen zu dicht beieinander.</li><li>• Eine Tür/Schublade wurde nicht richtig geschlossen.</li><li>• Die Tür/Schublade wurde zu häufig oder zu lange geöffnet.</li></ul>	<ul style="list-style-type: none"><li>• Die Temperatur zurücksetzen.</li><li>• Die Lebensmittel immer erst abkühlen lassen, bevor Sie sie hineinlegen.</li><li>• Nur kleinere Mengen an Lebensmitteln hineinlegen.</li><li>• Zwischen mehreren Lebensmitteln einen Abstand lassen, damit die Luft zirkulieren kann.</li><li>• Die Tür/Schublade schließen.</li> <li>• Die Tür/Schublade nicht zu häufig öffnen.</li></ul>
Das Innere des Geräts ist zu kalt.	<ul style="list-style-type: none"><li>• Die Temperatur ist zu niedrig eingestellt. Die Super-Frz/Super-Cool-Funktion ist aktiviert oder läuft zu lange.</li></ul>	<ul style="list-style-type: none"><li>• Die Temperatur zurücksetzen.</li><li>• Die Super-Frz/Super-Cool-Funktion ausschalten.</li></ul>
Feuchtigkeitsbildung im Innern des Kühlfachs.	<ul style="list-style-type: none"><li>• Das Klima ist zu warm und zu feucht.</li><li>• Eine Tür/Schublade wurde nicht richtig geschlossen.</li><li>• Die Tür/Schublade wurde zu häufig oder zu lange geöffnet.</li><li>• Lebensmittelbehälter oder Flüssigkeiten werden offen gelassen.</li></ul>	<ul style="list-style-type: none"><li>• Die Temperatur erhöhen.</li><li>• Die Tür/Schublade schließen.</li> <li>• Die Tür/Schublade nicht zu häufig öffnen.</li><li>• Heiße Speisen auf Raumtemperatur abkühlen lassen und Speisen und Flüssigkeiten abdecken.</li></ul>
Feuchtigkeit sammelt sich außen am Kühlschrank oder zwischen der oder den Türen und der Schublade.	<ul style="list-style-type: none"><li>• Das Klima ist zu warm und zu feucht.</li><li>• Tür nicht richtig geschlossen. Die kalte Luft im Gerät und die warme Außenluft kondensieren.</li></ul>	<ul style="list-style-type: none"><li>• Das ist bei feuchtem Klima normal und ändert sich, wenn die Feuchtigkeit abnimmt.</li><li>• Prüfen Sie, ob die Tür/Schublade fest geschlossen ist.</li></ul>
Starke Eisbildung und Frost im Gefrierfach.	<ul style="list-style-type: none"><li>• Die Lebensmittel sind nicht angemessen verpackt.</li><li>• Eine Tür/Schublade wurde nicht richtig geschlossen.</li><li>• Die Tür/Schublade wurde zu häufig oder zu lange geöffnet.</li><li>• Die Tür-/Schubladendichtungen sind verschmutzt, verschlissen, gerissen oder verrutscht.</li><li>• Etwas im Inneren verhindert, dass die Tür/Schublade richtig schließt.</li></ul>	<ul style="list-style-type: none"><li>• Die Lebensmittel immer gut verpacken.</li><li>• Die Tür/Schublade schließen.</li> <li>• Die Tür/Schublade nicht zu häufig öffnen.</li><li>• Die Tür-/Schubladendichtungen reinigen oder austauschen.</li><li>• Die Einlegeböden, Türfächer oder Behälter so versetzen, dass die Tür/Schublade richtig schließt.</li></ul>



## Fehlerbehebung

Problem	Mögliche Ursache	Mögliche Behebung
Die Seitenwände des Geräts und die Türleiste werden warm.	<ul style="list-style-type: none"><li>• -</li></ul>	<ul style="list-style-type: none"><li>• Das ist normal.</li></ul>
Das Gerät macht abnormale Geräusche.	<ul style="list-style-type: none"><li>• Das Gerät befindet sich nicht auf einem ebenen Untergrund.</li><li>• Das Gerät berührt einige Gegenstände um es herum.</li></ul>	<ul style="list-style-type: none"><li>• Die Füße entsprechend einstellen, um das Gerät zu nivellieren.</li><li>• Die Gegenstände um das Gerät herum entfernen.</li></ul>
Es ist ein leichtes Geräusch zu hören, ähnlich wie dem von fließendem Wasser.	<ul style="list-style-type: none"><li>• -</li></ul>	<ul style="list-style-type: none"><li>• Das ist normal.</li></ul>
Sie hören einen Signalton.	<ul style="list-style-type: none"><li>• Die Kühlschrantür ist offen.</li></ul>	<ul style="list-style-type: none"><li>• Die Tür schließen.</li></ul>
Sie hören ein schwaches Brummen.	<ul style="list-style-type: none"><li>• Das Antikondensationssystem arbeitet.</li></ul>	<ul style="list-style-type: none"><li>• Dies verhindert Kondensation und ist normal.</li></ul>
Die Innenbeleuchtung oder das Kühlsystem funktioniert nicht.	<ul style="list-style-type: none"><li>• Der Netzstecker ist nicht an die Steckdose angeschlossen.</li><li>• Die Stromversorgung ist nicht intakt.</li><li>• Die LED-Leuchte ist defekt.</li></ul>	<ul style="list-style-type: none"><li>• Den Netzstecker anschließen.</li><li>• Die Stromversorgung des Raums überprüfen. Den örtlichen Stromversorger anrufen!</li><li>• Den Kundenservice kontaktieren, um die Leuchte auszutauschen.</li></ul>
Wasser läuft aus oder tropft aus dem Auslauf des Wasserspenders.	<ul style="list-style-type: none"><li>• Der Wassertank ist nicht korrekt installiert</li><li>• Der Auslauf des Wasserspenders ist nicht fest mit dem Tank verschraubt.</li><li>• Am Wasserauslauf fehlt der weiße O-Ring aus Silikon.</li></ul>	<ul style="list-style-type: none"><li>• Den Wassertank wieder in die Kühlschrantür einsetzen und darauf achten, dass er vollständig in die Tür geschoben wird.</li><li>• Der Wasserauslauf ist fest mit dem Wassertank verschraubt.</li><li>• Sicherstellen, dass der Wasserauslauf am Tankende einen weißen O-Ring aus Silikon hat, bevor Sie den Wasserauslauf am Wassertank anbringen.</li></ul>





Um den technischen Kundendienst zu kontaktieren, besuchen Sie unsere Website:  
<https://corporate.haier-europe.com/en/>

Wählen Sie im Abschnitt „Website“ die Marke Ihres Produkts und Ihr Land aus. Sie werden auf die entsprechende Website weitergeleitet, auf der Sie die Telefonnummer und das Formular zur Kontaktaufnahme mit dem technischen Kundendienst finden.

### **Stromunterbrechung**

Bei Stromausfall sollten die gelagerten Lebensmittel noch 5 Stunden lang frisch gekühlt bleiben. Beachten Sie diese Tipps bei einer längeren Stromunterbrechung, insbesondere im Sommer:

- ▶ Öffnen Sie die Tür/Schublade so selten wie möglich.
- ▶ Legen Sie während eines Stromausfalls keine weiteren Lebensmittel in das Gerät.
- ▶ Wenn der Stromausfall vorher angekündigt wurde und die Unterbrechungsdauer länger als 5 Stunden ist, frieren Sie im Voraus ein paar Eiswürfel oder Kühlakkus ein, und legen Sie diese beim Stromausfall oben in das Kühlfach.
- ▶ Prüfen Sie nach dem Stromausfall direkt, ob die Lebensmittel verdorben sind.
- ▶ Da die Temperatur im Kühlschrank während einer Stromunterbrechung oder eines anderen Fehlers ansteigt, werden die Haltbarkeit und die Qualität der Lebensmittel reduziert. Aufgetaute Lebensmittel sollten entweder verzehrt oder gekocht und (sofern geeignet) gleich danach wieder eingefroren werden, um Gesundheitsrisiken zu vermeiden.



### **HINWEIS: Speicherfunktion bei Stromunterbrechung**

Nach Wiederherstellung der Stromversorgung fährt das Gerät mit den Einstellungen fort, die vor dem Stromausfall eingestellt waren.



## Auspacken



### WARNUNG!

- ▶ Das Gerät ist schwer. Transportieren oder bewegen Sie es immer mit mindestens zwei Personen.
- ▶ Bewahren Sie sämtliche Verpackungsmaterialien außerhalb der Reichweite von Kindern auf und entsorgen Sie sie umweltfreundlich.
- ▶ Nehmen Sie das Gerät aus der Verpackung.
- ▶ Entfernen Sie alle Verpackungsmaterialien.

## Umgebungsbedingungen

Die Raumtemperatur sollte immer zwischen 10°C und 43°C liegen, da sie die Temperatur im Inneren des Geräts und dessen Energieverbrauch beeinflussen kann. Das Gerät nicht in der Nähe anderer wärmeemittierender Geräte (Ofen, Kühlschränke) installieren.

- Subnormal (SN): Dieses Kühlgerät ist für die Verwendung bei einer Umgebungstemperatur zwischen 10°C und 32°C ausgelegt.
- Normal (N): Dieses Kühlgerät ist für die Verwendung bei einer Umgebungstemperatur zwischen 16°C und 32°C ausgelegt.
- Subtropisch (ST): Dieses Kühlgerät ist für die Verwendung bei einer Umgebungstemperatur zwischen 16°C und 38°C ausgelegt.

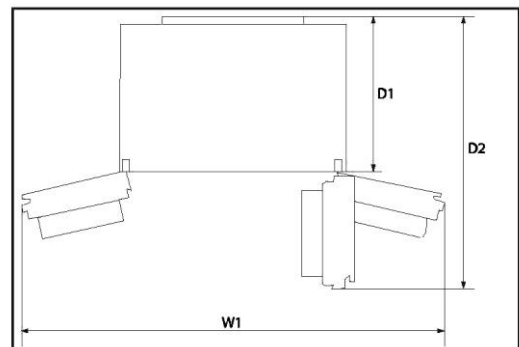
## Platzbedarf

Erforderlicher Abstand bei geöffneter Tür:

$W1=157,8\text{ cm}$

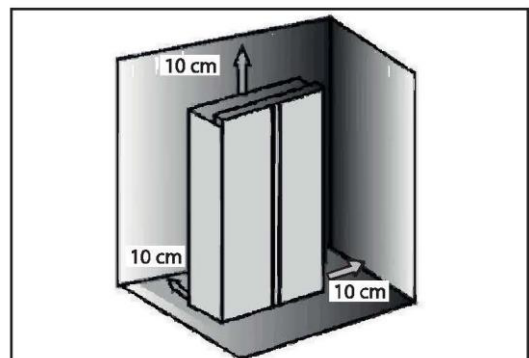
$D1=62,9\text{ cm}$

$D2=117,5\text{ cm}$



## Platzbedarf für ausreichende Belüftung

Damit eine ausreichende Belüftung des Geräts gewährleistet wird, dürfen die Hinweise zum ausreichenden Platzbedarf aus Sicherheitsgründen nicht missachtet werden.

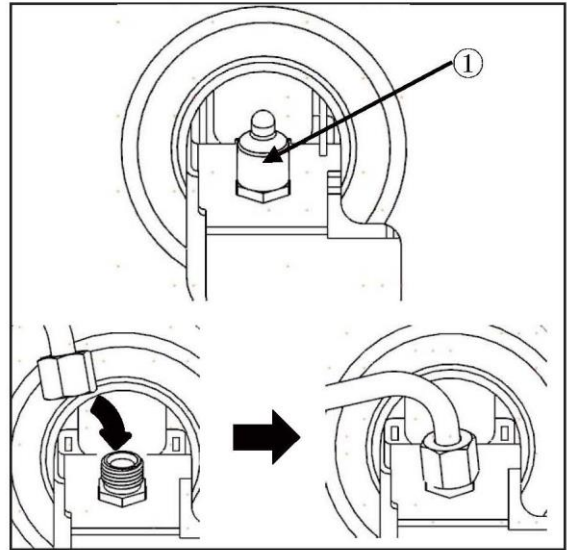


## HINWEIS

Für ein frei stehendes Gerät: Dieses Kühlgerät ist nicht zur Verwendung als Einbaugerät bestimmt.

## Anschluss des Geräts an die Wasserversorgung

1. Entfernen Sie den Gummistopfen (1) vom Wassereinlassventil.

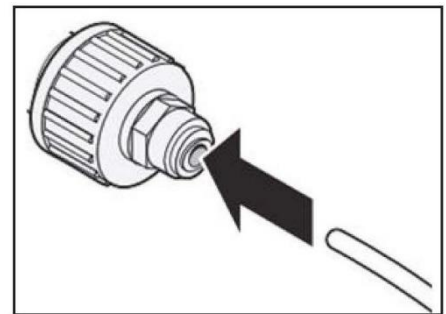


2. Schieben Sie den Wasserschlauch fest auf das Wassereinlassventil und ziehen Sie die Überwurfmutter fest. Diese Wasserleitung muss in der Mitte durchgeschnitten und verwendet werden; der andere Abschnitt dient als Ersatzteil.

## Anschluss an den Wasserhahn

Diese Funktion ist nur bei einigen Modellen verfügbar.

1. Stecken Sie den Wasserschlauch in die Öffnung des im Zubehör enthaltenen Wasseranschlusses. Das Rohr muss festgehalten werden, während der Anschluss auf das Rohr geschoben wird.
2. Vergewissern Sie sich, dass die Unterlegscheibe aus Gummi an der Innenseite des Anschlusses angebracht ist, bevor Sie ihn auf den Hahn schrauben.
  - ▶ Möglicherweise muss ein separater Anschluss oder ein Adapter gekauft werden, wenn Ihre Armatur nicht mit der Gewindegröße des mitgelieferten Anschlusses übereinstimmt.



## Wasseranschluss prüfen

Diese Funktion ist nur bei einigen Modellen verfügbar.

- ▶ Schalten Sie die Wasserversorgung und das Gerät ein. Prüfen Sie alle Anschlüsse sorgfältig auf mögliche Lecks durch nicht ordnungsgemäß montierte Schläuche.
- ▶ Halten Sie die Taste 3Sec.Filter Reset 3 Sekunden lang gedrückt. Der neue Wasserfilter wurde aktiviert.
- ▶ Stellen Sie einen Becher unter den Wasserspender, um zu prüfen, ob das Wasser durch das Gerät fließt.
- ▶ Prüfen Sie die Anschlussleitung und die Verbindungen noch einmal auf Dichtheit.



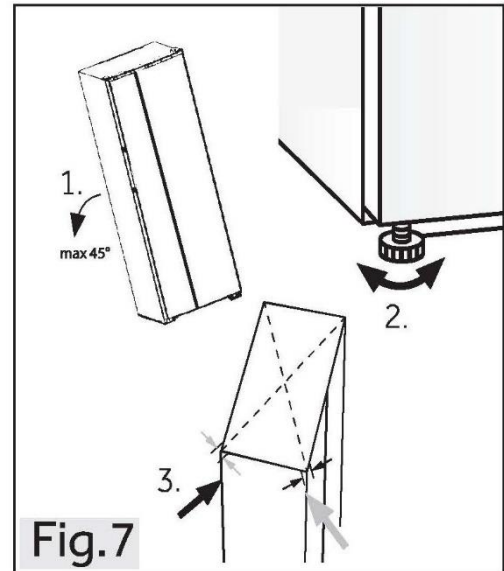
## WARNUNG!

- ▶ Achten Sie darauf, dass die Anschlüsse stets fest, trocken und leckfrei sind.
- ▶ Achten Sie darauf, dass der Schlauch nicht gequetscht, geknickt oder verdreht wird.

### Geräteausrichtung

Das Gerät sollte auf einer flachen und festen Oberfläche aufgestellt werden.

1. Das Gerät leicht nach hinten neigen (Abb.7).
2. Stellfüße auf die gewünschte Höhe justieren. Achten Sie darauf, dass der Abstand zur Wand an den Scharnierseiten mindestens 10 cm beträgt.
3. Die Stabilität kann durch abwechselndes Anschlagen gegen die Diagonalen überprüft werden. Das leichte Schwanken sollte in beide Richtungen gleich sein. Andernfalls kann sich der Rahmen verziehen; mögliche undichte Türdichtungen sind die Folge. Eine geringe Neigung nach hinten erleichtert das Schließen der Türen.

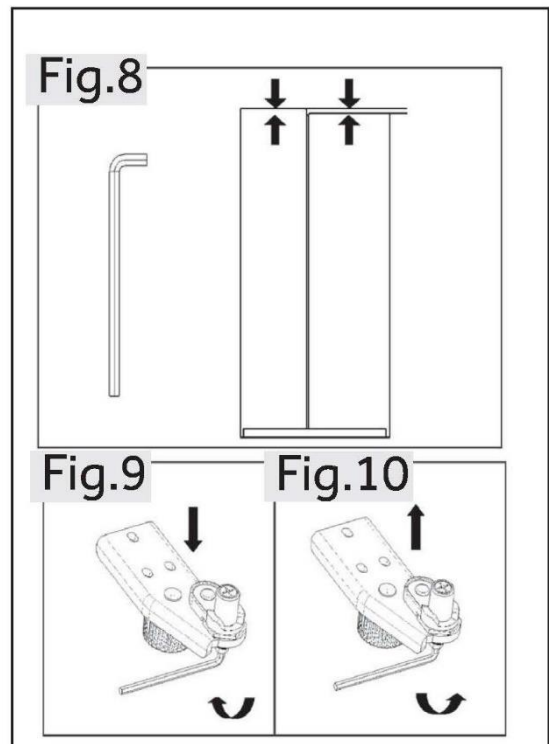


### Feinabstimmung der Türen

Wenn die Türen nach dem Justieren der Stellfüße immer noch nicht in der Waage sind, kann dieses durch Drehen der Scharnierhebewelle an der rechten unteren Ecke der Kühlschranktür mit einem Schraubenschlüssel behoben werden (Abb.8).

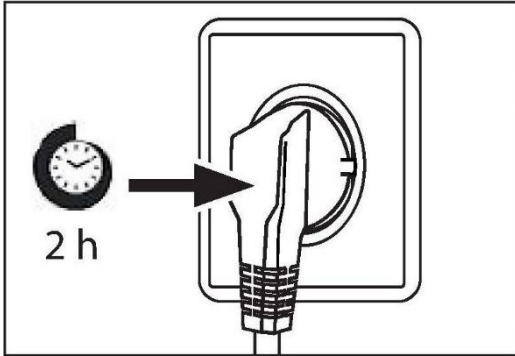
Hebewelle mit Schlüssel im Uhrzeigersinn drehen, um die Türhöhe abzusenken (Abb.9).

Drehen Sie die Hebewelle mit einem Schraubenschlüssel gegen den Uhrzeigersinn, um die Höhe der Tür anzuheben (Abb.10).



**WARNUNG!**

Stellen Sie die Hubwelle des Scharniers nicht so hoch ein, dass die Welle ihre ursprüngliche Verriegelungsposition verlässt (einstellbarer Höhenbereich: 3 mm).

**Wartezeit**

Das wartungsfreie Schmieröl befindet sich in der Kapsel des Kompressors. Dieses Öl kann beim Transport durch das geschlossene Rohrsystem gelangen, wenn das Gerät gekippt wird. Warten Sie mindestens 2 Stunden, bevor Sie das Gerät an die Stromversorgung anschließen, damit das Öl wieder in die Kapsel zurückfließt.

**Elektrischer Anschluss****Stellen Sie vor jedem Anschluss sicher, dass:**

- ▶ die Stromversorgung, Steckdose und Sicherung den Angaben auf dem Typenschild entsprechen.
- ▶ die Steckdose geerdet ist und kein Mehrfachstecker oder Verlängerungskabel vorhanden ist.
- ▶ der Netzstecker und die Steckdose richtig zusammenpassen.

Schließen Sie den Stecker an eine ordnungsgemäß installierte Haushaltssteckdose an.

**WARNUNG!**

Um Gefahren zu vermeiden, muss ein beschädigtes Netzkabel vom Kundendienst ausgetauscht werden (siehe Garantiekarte).

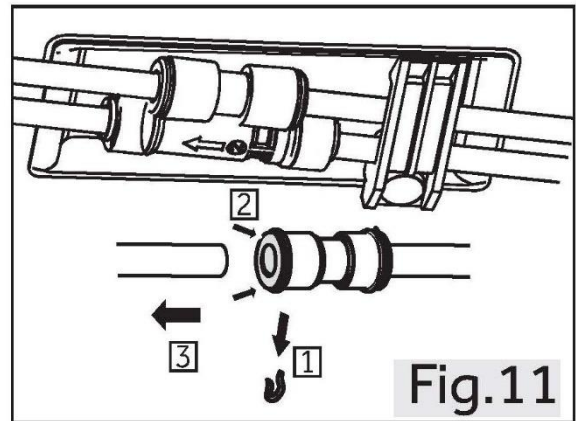
**Ausbauen und Einbauen der Türen**

Falls Sie die Gerätetüren ausbauen müssen, befolgen Sie die nachstehenden Anweisungen zum Aus- und Einbau der Türen.

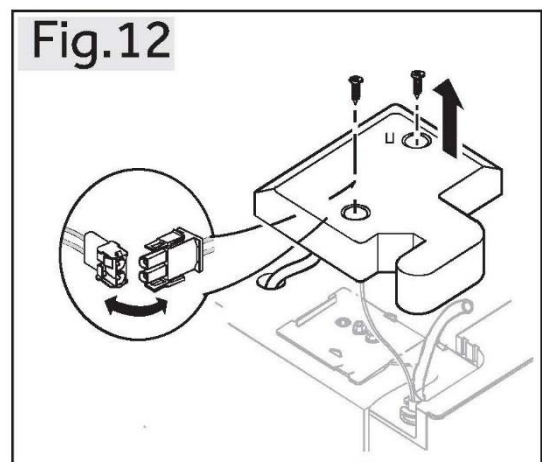
**WARNUNG!**

- ▶ Schalten Sie das Gerät vor der Wartung aus und ziehen Sie den Netzstecker aus der Steckdose.
- ▶ Drehen Sie die Wasserversorgung ab.
- ▶ Das Gerät ist schwer. Transportieren oder bewegen Sie es immer mit mindestens zwei Personen.
- ▶ Neigen Sie das Gerät nicht mehr als 45 Grad und legen Sie es nicht flach auf den Boden.
- ▶ Die Tür kann umfallen und Personen verletzen oder bei diesen Schritten beschädigt werden. Achten Sie bei einem Umzug und beim Abnehmen oder Einsetzen der Türen besonders darauf.

1. Lösen Sie die linke Seite der beiden Wassermuffen am vorderen linken Geräteboden: Drücken und halten Sie den Anschluss wie abgebildet und nehmen Sie die Wasserleitung ab. (Abb. 11).



2. Lösen Sie die Schraube der Scharnierabdeckung und nehmen Sie die Abdeckung ab (Abb. 12). Wenn Sie die Gefrierschranktür abnehmen, trennen Sie alle Drähte mit Ausnahme des Erdungsdrahtes ab.

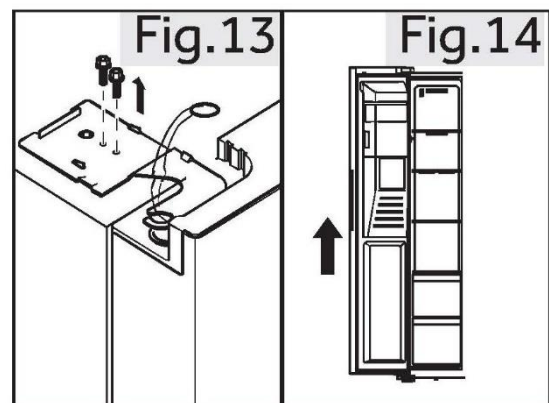


3. Lösen Sie die Schrauben, mit denen das obere Scharnier befestigt ist, und entfernen Sie das Scharnier (Abb. 13).

4. Heben Sie die Tür an, um sie zu entfernen (Abb. 14). Heben Sie die Gefrierschranktür beim Abnehmen hoch genug an, um den Wasseranschluss von der Unterseite des Geräts herauszuziehen.

5. Montieren Sie die Tür in umgekehrter Reihenfolge wie beim Ausbau. Stellen Sie sicher, dass das Erdungskabel mit der Schraube befestigt wird.

6. Schließen Sie den Wasseranschluss wieder an.




## HINWEIS: Kühlschrankschranktür

Die Bilder zeigen den Ausbau der Gefrierfachtür. Für die Kühlschrankschranktür verwenden Sie bitte die entsprechenden Teile auf der anderen Seite.



Produktdatenblatt gemäß der EU-Verordnung Nr. 2019/2016

Marke	Haier
Modellname / Kennung	HSW59F18DIMM HSW79F18DIPT
Kategorie des Modells	Kühl-Gefrierkombination
Energieeffizienzklasse	D
Jährlicher Energieverbrauch (kWh/Jahr) <sup>(1)</sup>	267
Gesamtvolumen (L)	601
Volumen Kühlschrank (L)	391
Volumen Gefrierschrank (L)	206
Volumen-Eisvorratsbehälter (2 Sterne) (L)	4
Sterne-Bewertung	
Temperatur der anderen Fächer >14°C	Nicht anwendbar
Frostfreies System	Ja
Gefrierleistung (kg/24h)	10
Klima-Bewertung <sup>(2)</sup>	SN-N-ST
Geräuschemissionsklasse und Luftschallemissionen (db(A) re 1pW)	C(36)
Temperaturanstiegszeit (h)	5
Leistung des Eiswürfelbereiters	0,8 kg/24h
Gerätetyp	Freistehend

Erläuterungen:

- Ja, vorhanden

- (1) Basierend auf den Ergebnissen des Normenkonformitätstests über 24 Stunden. Der tatsächliche Verbrauch hängt von der Verwendung und dem Standort des Geräts ab.
- (2) Klima-Bewertung SN: Dieses Gerät ist für die Verwendung bei einer Umgebungstemperatur zwischen +10 °C und +32 °C ausgelegt.  
 Klima-Bewertung N: Dieses Gerät ist für die Verwendung bei einer Umgebungstemperatur zwischen +16°C und +32°C ausgelegt.  
 Klima-Bewertung ST: Dieses Gerät ist für die Verwendung bei einer Umgebungstemperatur zwischen +16°C und +38°C ausgelegt.

## Zusätzliche technische Daten

Spannung / Frequenz	220-240V~/50Hz
Eingangsstrom (A)	1,8
Eingangsleistung Abtauen (W)	220
Hauptsicherung (A)	15
Kühlmittel	R600a
Abmessungen (H/B/T in mm)	1775/905/726



Wir empfehlen unseren Haier Kundendienst und die Verwendung von Original-Ersatzteilen. Wenn Sie Probleme mit dem Gerät haben, lesen Sie bitte zuerst den Abschnitt „FEHLERBEHEBUNG“.

Wenn Sie dort keine Lösung finden, wenden Sie sich bitte an

- ▶ Ihren Händler vor Ort oder
- ▶ an unser Europäisches Call-Service-Center (siehe unten aufgeführte Telefonnummern) oder
- ▶ an den Service und Support unter [www.haier.com](http://www.haier.com), wo Sie den Service aktivieren können.
- ▶ Hier finden Sie auch FAQs.

Um unseren Kundendienst zu kontaktieren, stellen Sie sicher, dass Sie die folgenden Daten zur Hand haben.

Die Informationen finden Sie auf dem Typenschild.

Modell \_\_\_\_\_

Seriennummer \_\_\_\_\_

Prüfen Sie im Garantiefall auch die mit dem Produkt mitgelieferte Garantiekarte.

Europäisches Call-Service-Center		
Land*	Telefonnummer	Kosten
Haier Italy (IT)	199 100912	
Haier Spain (ES)	902 509 123	
Haier Germany (DE)	0180539 39 99	<ul style="list-style-type: none"><li>• 14 Ct/Min Festnetz</li><li>• max. 42 Ct/Min Mobil</li></ul>
Haier Austria (AT)	0820 001 205	<ul style="list-style-type: none"><li>• 14,53 Ct/Min Festnetz</li><li>• max. 20 Ct/Min alle anderen</li></ul>
Haier United Kingdom (UK)	0333 003 8122	
Haier France (FR)	0980 406 409	





\* Weitere Informationen finden Sie unter [www.haier.com](http://www.haier.com)

Haier Europe Trading S.r.l

Niederlassung UK

Westgate House, Westgate, Ealing

London, W5 1YY

\*Gewährleistungsdauer des Kühlgeräts:

Die Mindestgarantie beträgt: 2 Jahre für EU-Länder, 3 Jahre für die Türkei, 1 Jahr für Großbritannien, 1 Jahr für Russland, 3 Jahre für Schweden, 2 Jahre für Serbien, 5 Jahre für Norwegen, 1 Jahr für Marokko, 6 Monate für Algerien, Tunesien keine gesetzliche Gewährleistung erforderlich.

\*Der Zeitraum für die Beschaffung von Ersatzteilen für die Reparatur des Geräts:

Thermostate, Temperatursensoren, Leiterplatten und Leuchtmittel sind für einen Zeitraum von mindestens sieben Jahren nach Inverkehrbringen des letzten Gerätes des Modells erhältlich.

Türgriffe, Türscharniere, Ablagen und Schubladen für eine Mindestdauer von sieben Jahren und Türdichtungen für eine Mindestdauer von 10 Jahren, nachdem das letzte Gerät des Modells in Verkehr gebracht wurde.

\*Weitere Informationen zum Produkt finden Sie entweder unter <https://eprel.ec.europa.eu/> oder Sie scannen den QR-Code auf dem Energielabel, das dem Gerät beiliegt.

# Haier

2023 Fassung A



0060535837





# Índice

---

Información de seguridad.....	94
Uso previsto.....	99
Descripción del producto .....	100
Panel de control .....	101
Uso .....	102
Equipamiento .....	115
Cuidado y limpieza.....	117
Solución de problemas.....	122
Instalación .....	126
Datos técnicos .....	131
Atención al cliente .....	133



Gracias



## Gracias por comprar un producto Haier.

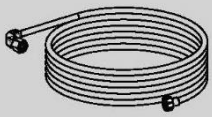
Lea atentamente estas instrucciones antes de utilizar este electrodoméstico. Estas instrucciones contienen información importante que le ayudará a sacar el máximo provecho del electrodoméstico y a garantizar una instalación, uso y mantenimiento seguros y adecuados.

Guarde este manual en un lugar seguro para poder consultarlo en cualquier momento y garantizar un uso seguro y adecuado del electrodoméstico.

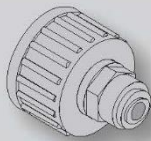
Si vende este electrodoméstico, lo dona o lo deja al mudarse, asegúrese de entregar también este manual para que el nuevo propietario pueda familiarizarse con el electrodoméstico y las advertencias de seguridad.

## Accesorios

Verifique los accesorios y la documentación según la siguiente lista:



\*Tubería de agua



\*Conector de agua



Etiqueta energética



Tarjeta de garantía



Guía rápida



**ADVERTENCIA: Información de seguridad importante**



**AVISO: Información general y consejos**



**Información medioambiental**



### Eliminación

Ayude a proteger el medio ambiente y la salud humana. Tire el embalaje en los contenedores correspondientes para reciclarlo. Ayude a reciclar los residuos de aparatos eléctricos y electrónicos. No deseche los aparatos marcados con este símbolo en la basura doméstica. Lleve el producto a su planta de reciclaje local o póngase en contacto con su oficina municipal.



## ADVERTENCIA

¡Peligro de lesiones o asfixia!

Los refrigerantes y gases deben ser eliminados de forma profesional. Asegúrese de que la tubería del circuito refrigerante no está dañada antes de desecharla adecuadamente.

Desconecte el electrodoméstico de la red eléctrica. Corte el cable de red y deséchelo.

Quite las bandejas y los cajones, así como el asa de la puerta y las juntas, para evitar que los niños y las mascotas se queden encerrados en el electrodoméstico.



## Antes de encender el electrodoméstico por primera vez, lea las siguientes directrices de seguridad:



### ¡ADVERTENCIA!

#### Antes del primer uso

- ▶ Asegúrese de que no haya daños causados por el transporte.
- ▶ Retire todo el embalaje y manténgalo fuera del alcance de los niños.
- ▶ Espere al menos dos horas antes de instalar el electrodoméstico para asegurarse de que el circuito refrigerante sea totalmente eficiente.
- ▶ Este electrodoméstico pesa mucho: manipúlelo con la ayuda de otra persona.

#### Instalación

- ▶ Este electrodoméstico debe colocarse en un lugar bien ventilado. Asegúrese de dejar un espacio libre de al menos 10 cm por encima y alrededor del electrodoméstico.
- ▶ No coloque el electrodoméstico en un área húmeda o en un lugar donde pueda recibir salpicaduras de agua. Limpie y seque las salpicaduras y manchas con un paño suave y limpio.
- ▶ No instale el electrodoméstico bajo la luz directa del sol o cerca de fuentes de calor (p. ej.: fogones, estufas...).
- ▶ Instale y nivele el electrodoméstico en un lugar adecuado para su tamaño y uso.
- ▶ Mantenga libres de obstrucciones los orificios de ventilación del electrodoméstico o de la estructura en la que esté colocado.
- ▶ Asegúrese de que la información eléctrica de la placa de características técnicas coincida con la fuente de alimentación. Si no es así, póngase en contacto con un electricista.
- ▶ Este electrodoméstico funciona mediante una fuente de alimentación de 220-240 V CA/50 Hz. Una fluctuación anormal del voltaje puede provocar que el electrodoméstico no se ponga en marcha o que se dañe el control de temperatura o el compresor, o que se oiga un ruido anormal durante el funcionamiento. En tal caso, se deberá instalar un regulador automático.
- ▶ No utilice adaptadores de múltiples contactos ni cables de extensión.
- ▶ No ubique tomas de corriente múltiples portátiles ni fuentes de alimentación portátiles en la parte trasera del electrodoméstico.
- ▶ Asegúrese de que el cable de alimentación no quede aprisionado por el frigorífico. No oprima el cable de alimentación.

## ¡ADVERTENCIA!

- ▶ Utilice una toma de corriente independiente puesta a tierra como fuente de alimentación, que sea de fácil acceso. Este electrodoméstico debe conectarse a tierra.  
Solo para el Reino Unido: El cable de alimentación de este electrodoméstico está equipado con un enchufe de 3 cables (con puesta a tierra) que se ajusta a una toma de corriente estándar de 3 cables (puesta a tierra). No corte ni desmonte la tercera patilla (toma de tierra). Una vez instalado el electrodoméstico, el enchufe debe ser accesible.
- ▶ No dañe el circuito del refrigerante.

### Uso diario

- ▶ Este electrodoméstico puede ser utilizado por niños a partir de 8 años y por personas con capacidades físicas, sensoriales o mentales reducidas, o sin experiencia o conocimientos previos, siempre y cuando hayan recibido la supervisión y las instrucciones necesarias para utilizar el electrodoméstico de forma segura y comprendan los riesgos que implica.
- ▶ Se permite que los niños de 3 a 8 años llenen y vacíen electrodomésticos de refrigeración, pero no están autorizados a limpiarlos o instalarlos.
- ▶ Mantenga alejados del electrodoméstico a los niños menores de 3 años a menos que estén constantemente supervisados.
- ▶ Los niños no deben jugar con este electrodoméstico.
- ▶ Si hay una fuga de un gas inflamable en las proximidades del electrodoméstico, cierre la válvula de gas que presente la fuga, abra las puertas y ventanas y no desconecte ni conecte el cable de alimentación del frigorífico o de cualquier otro electrodoméstico.
- ▶ Tenga en cuenta que el electrodoméstico está configurado para funcionar en un intervalo de temperatura ambiente específico de entre 10 y 38 °C. El electrodoméstico no puede funcionar correctamente si se deja durante mucho tiempo a una temperatura superior o inferior al intervalo indicado.
- ▶ No coloque artículos inestables (objetos pesados, recipientes llenos de agua) en la parte superior del frigorífico, a fin de evitar lesiones personales causadas por caídas o descargas eléctricas causadas por el contacto con el agua.
- ▶ No tire de los estantes de la puerta. Se puede tirar de la puerta de forma inclinada, el botellero puede retirarse o el electrodoméstico puede volcar.
- ▶ Abra y cierre las puertas solamente usando las asas. El hueco entre las puertas y entre las puertas y el armario es muy estrecho. No ponga las manos en estas áreas para evitar pillarse los dedos. Abra o cierre las puertas del frigorífico solo cuando no haya niños dentro del área de movimiento de la puerta.





### ¡ADVERTENCIA!

- ▶ No almacene ni utilice elementos inflamables, explosivos o corrosivos en el electrodoméstico ni cerca de él.
- ▶ No guarde medicamentos, bacterias ni agentes químicos en el electrodoméstico. Este aparato es un electrodoméstico. No se recomienda almacenar materiales que requieran temperaturas extremas.
- ▶ Nunca almacene líquidos en botellas o latas (aparte de bebidas de alto grado alcohólico), especialmente las bebidas carbonatadas, en el congelador, ya que se romperían durante la congelación.
- ▶ Compruebe el estado de los alimentos si se ha producido un calentamiento en el congelador.
- ▶ No ajuste una temperatura demasiado baja sin necesidad en el compartimento frigorífico. Los ajustes más altos pueden generar temperaturas bajo cero. Atención: Las botellas pueden reventar.
- ▶ No toque los productos congelados con las manos mojadas (use guantes). Sobre todo, no coma hielo inmediatamente después de haberlo sacado del congelador. Existe el riesgo de congelación o de formación de ampollas. **PRIMEROS AUXILIOS:** poner inmediatamente bajo el grifo de agua fría. ¡No tirar!
- ▶ No toque la superficie interior del compartimento de almacenamiento del frigorífico cuando esté en funcionamiento, especialmente con las manos mojadas, ya que las manos pueden congelarse por la superficie.
- ▶ Desenchufe el electrodoméstico en caso de interrupción del suministro eléctrico o antes de limpiarlo. Espere al menos 7 minutos antes de volver a poner en marcha el aparato, ya que un arranque frecuente puede dañar el compresor.
- ▶ No deben utilizarse dispositivos eléctricos dentro de los compartimentos para alimentos del electrodoméstico, salvo que sean del tipo recomendado por el fabricante.  
Mantenimiento / limpieza
- ▶ Asegúrese de que los niños están bajo supervisión si realizan tareas de limpieza y mantenimiento.
- ▶ Desconecte el electrodoméstico de la red eléctrica antes de realizar cualquier mantenimiento rutinario. Deje pasar al menos 5 minutos antes de reiniciar el electrodoméstico, ya que el arranque frecuente puede dañar el compresor.

### ¡ADVERTENCIA!

- ▶ Cuando desenchufe el electrodoméstico, hágalo por la clavija, no por el cable.
- ▶ No limpie el electrodoméstico con cepillos duros, cepillos de alambre, detergente en polvo, gasolina, acetato de amilo, acetona y soluciones orgánicas similares, soluciones ácidas o alcalinas. Limpie con un detergente especial para frigoríficos para evitar daños.
- ▶ No raspe la escarcha y el hielo con objetos afilados. No utilice aerosoles, calentadores eléctricos como secadores de pelo, limpiadores a vapor u otras fuentes de calor para evitar dañar las piezas de plástico.
- ▶ No utilice dispositivos mecánicos ni otros equipos para acelerar el proceso de descongelación, salvo aquellos recomendados por el fabricante.
- ▶ Si el cable de alimentación está dañado, debe ser sustituido por el fabricante, por su servicio técnico o por cualquier profesional cualificado similar para evitar riesgos.
- ▶ No intente reparar, desmontar o modificar el aparato por su cuenta. En caso de requerir una reparación, póngase en contacto con nuestro servicio de atención al cliente.
- ▶ Saque el polvo de la parte posterior de la unidad al menos una vez al año para evitar el riesgo de incendio, así como un mayor consumo de energía.
- ▶ No rocíe ni enjuague el electrodoméstico durante la limpieza.
- ▶ No use agua pulverizada o vapor para limpiar el electrodoméstico.
- ▶ No limpie los estantes de cristal fríos con agua caliente. Un cambio repentino de temperatura puede causar que el cristal se rompa.

## Información sobre el gas refrigerante

### ¡ADVERTENCIA!

Este electrodoméstico contiene el refrigerante inflamable ISOBUTANO (R600a). Asegúrese de no dañar el circuito refrigerante durante el transporte o la instalación. La fuga de refrigerante puede causar lesiones oculares o incendios. Si se produce algún daño, manténgase alejado de llamas abiertas, ventile bien la habitación y no conecte o desconecte los cables de alimentación de este ni de cualquier otro electrodoméstico. Informe al servicio de atención al cliente.

En caso de que los ojos entren en contacto con el refrigerante, enjuáguelos inmediatamente con agua corriente y llame inmediatamente a un oftalmólogo.



## Uso previsto

Este electrodoméstico está diseñado para enfriar y congelar alimentos. Ha sido diseñado exclusivamente para su uso en aplicaciones domésticas y similares, como áreas de cocina para personal de tiendas, oficinas y otros entornos de trabajo; granjas y el uso por clientes en hoteles, moteles y otros entornos de tipo residencial, así como en alojamientos y restauración. No está destinado a un uso comercial o industrial.

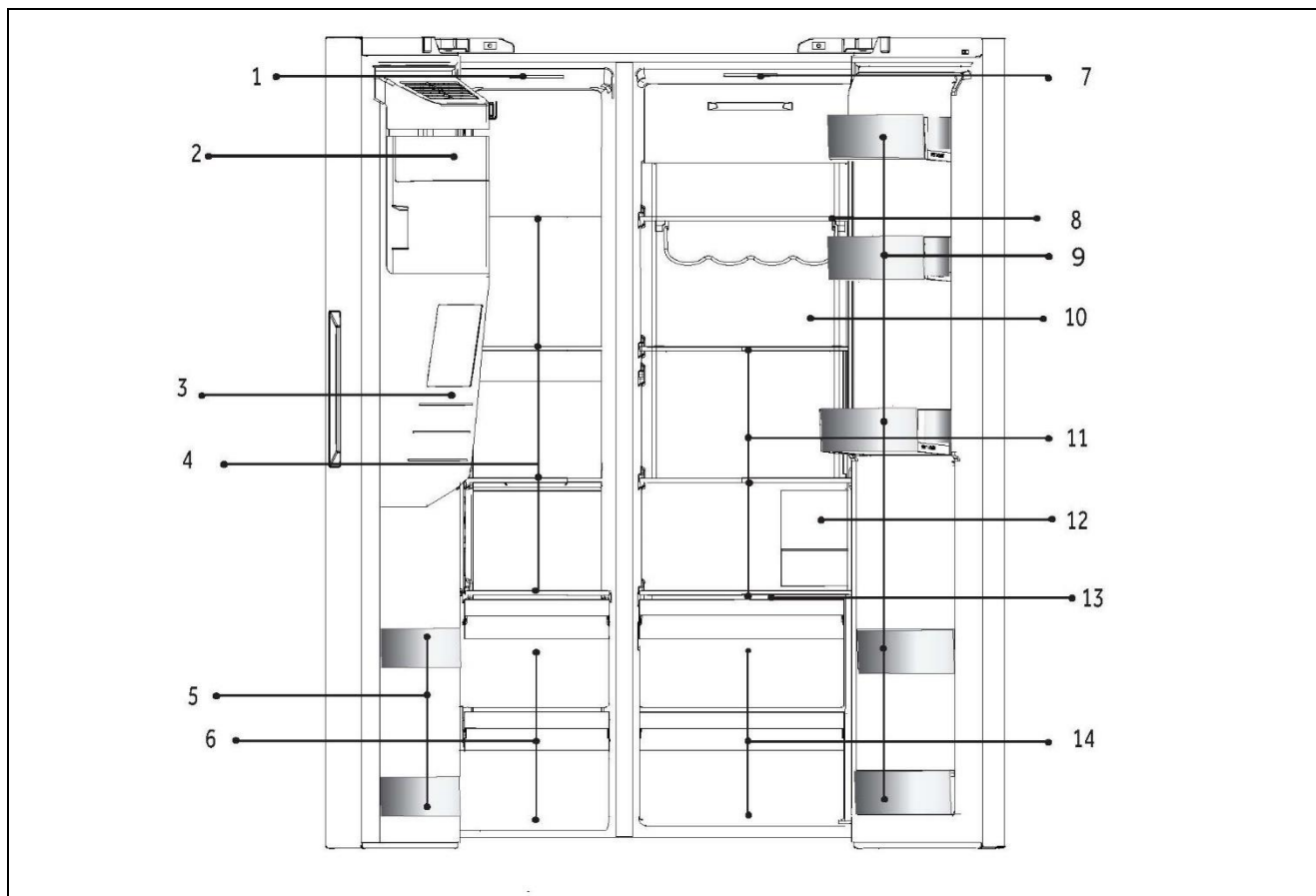
No se permite realizar cambios o modificaciones en el electrodoméstico. Un uso no previsto puede causar riesgos y la pérdida de reclamaciones de garantía.

## Normas y directivas y

Este producto cumple los requisitos de todas las directivas CE aplicables con las correspondientes normas acordadas y normas del RU que establecen el mercado CE y UKCA.

## **i** Aviso

Debido a cambios técnicos y a las diferencias entre modelos, algunas de las ilustraciones de este manual pueden diferir de su modelo.



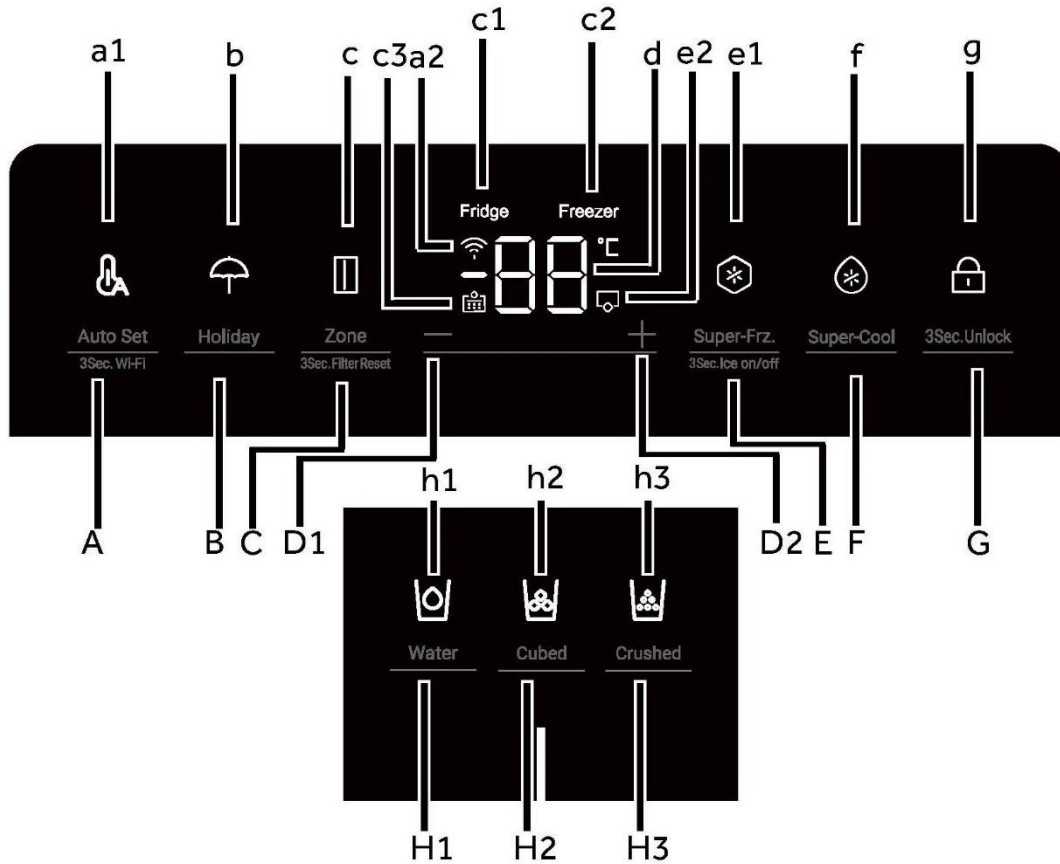
A: Compartimento congelador

- 1 Lámpara de techo
- 2 Fabricador de cubitos de hielo con depósito de hielo
- 3 Dispensador de agua y hielo
- 4 Estantes de cristal
- 5 Soporte para botellas
- 6 Cajones

B: Compartimento frigorífico

- 7 Lámpara de techo
- 8 Estante para el vino
- 9 Soporte para botellas
- 10 Lámpara trasera (HSW79F18DIPT)
- 11 Estantes de cristal
- 12 Filtro de agua
- 13 Placa de cubierta de Wet zone
- 14 Cajones

## Panel de control



### Teclas:

- A Función Auto Set / 3 sec. Wi-Fi
- B Función Holiday
- C Selección de zona/3Sec. Filter Reset
- D1 Botón de ajuste de la temperatura "-"
- D2 Botón de ajuste de la temperatura "+"
- E Función Super-Freeze/3sec. Ice on/off
- F Función Super-Cool
- G Selector de bloqueo del panel
- H1 Selector de la función Water intake
- H2 Selector de la función Cubed ice
- H3 Selector de la función Crushed ice

### Indicadores:

- a1 Modo Auto Set
- a2 Función Wi-Fi
- b Modo Holiday
- c Indicador de zona
- c1 Indicador del frigorífico
- c2 Indicador del congelador
- c3 Función de restablecimiento del filtro
- d Indicador de temperatura
- e1 Modo Super-Freeze
- e2 Modo Ice maker
- f Modo Super-Cool
- g Bloqueo del panel
- h1 Función Water intake
- h2 Función Cubed ice
- h3 Función Crushed ice



## Antes del primer uso

- ▶ Retire todo el material de embalaje, manténgalo fuera del alcance de los niños y deséchelo de forma respetuosa con el medio ambiente.
- ▶ Limpie el interior y el exterior del electrodoméstico con agua y un detergente suave antes de introducir cualquier alimento en él.
- ▶ Después de nivelar y limpiar el electrodoméstico, espere al menos 2-5 horas antes de conectarlo a la fuente de alimentación. Ver sección **INSTALACIÓN**.
- ▶ Enfríe previamente los compartimentos a altas temperaturas antes de cargarlos con alimentos. La función Power-Freeze ayuda a enfriar rápidamente los compartimentos.
- ▶ Las temperaturas del frigorífico y del congelador se ajustan automáticamente a 5 °C y -18 °C respectivamente. Estos son los ajustes recomendados. Si lo desea, puede cambiar estas temperaturas manualmente. Consulte la sección **AJUSTE DE LA TEMPERATURA**.

## Teclas táctiles

Los botones del panel de control son teclas táctiles, que se activan incluso cuando se rozan ligeramente con el dedo.

## Encender/apagar el electrodoméstico

El electrodoméstico se pondrá en marcha en cuanto se conecte a la fuente de alimentación.

Las temperaturas mostradas corresponden a las temperaturas ajustadas en el compartimento.

Puede que el bloqueo del panel esté activo.



### Aviso

Cuando se enciende el electrodoméstico después de desconectarlo de la fuente de alimentación principal, alcanzar las temperaturas correctas puede tomar hasta 12 horas.

Vacíe el electrodoméstico antes de apagarlo. Para apagar el electrodoméstico, retire el cable de alimentación de la toma de corriente.



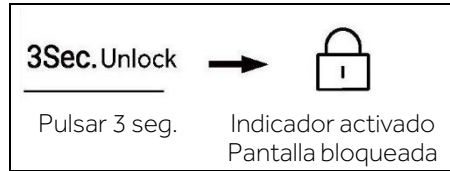
### AVISO

Al encender el frigorífico por primera vez, el indicador se ilumina. La temperatura del frigorífico y la temperatura del congelador se ajustan automáticamente entre 5 °C y -18 °C respectivamente.



## Panel de bloqueo/desbloqueo

1. Bloqueo automático: Cuando las puertas del frigorífico y del congelador están cerradas y no se toca ninguna tecla en 30 segundos, la pantalla se apaga y se bloquea automáticamente.



2. Bloqueo manual: Cuando la pantalla está desbloqueada, pulse el botón "G" (selector de bloqueo del panel) y manténgalo pulsado durante 3 segundos; el zumbador suena una vez, el indicador "g" (bloqueo del panel) se ilumina y la pantalla queda bloqueada.



## Ajuste de la temperatura

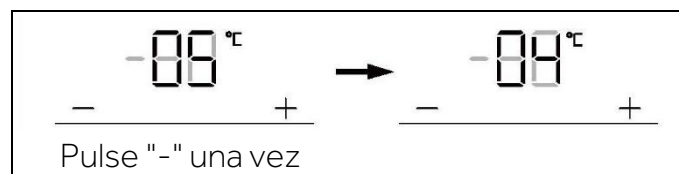
Las temperaturas interiores están influenciadas por los siguientes factores:

- ▶ Temperatura ambiente
- ▶ Frecuencia de apertura de la puerta
- ▶ Cantidad de alimentos almacenados
- ▶ Instalación del electrodoméstico

## Ajustar la temperatura del frigorífico

1. Cuando la pantalla esté desbloqueada, pulse el botón "C" (selector de zona). El zumbador suena una vez, el indicador "c1" (indicador del frigorífico) parpadea y se accede al modo de ajuste de la temperatura del frigorífico.

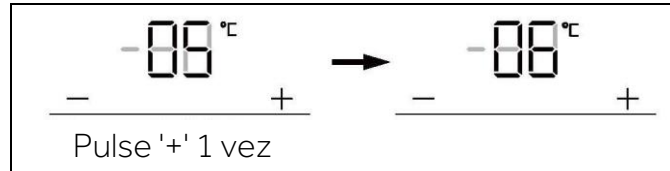
2. Pulse el botón "D1" (botón de ajuste de la temperatura "-"); el zumbador sonará una vez y la temperatura del frigorífico se reducirá en 1 grado. La temperatura del frigorífico se mostrará en la secuencia "9 °C -> 8 °C -> 7 °C -> 6 °C -> 5 °C -> 4 °C -> 3 °C -> 2 °C -> 1 °C".





### Ajuste de la temperatura del frigorífico

3. Pulse el botón "D2" (botón de ajuste de la temperatura "+"); el zumbador suena una vez y la temperatura del frigorífico aumentará en 1 grado. La temperatura del frigorífico se mostrará en la secuencia "1 °C -> 2 °C -> 3 °C -> 4 °C -> 5 °C -> 6 °C -> 7 °C -> 8 °C -> 9 °C".



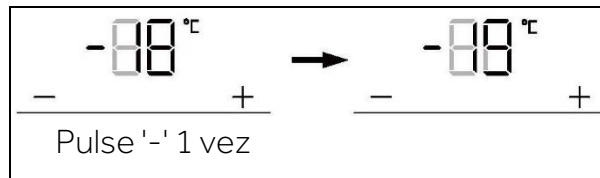
### Aviso

Después de ajustar la temperatura, si no se realiza otra ninguna acción en 5 segundos, el sistema guardará automáticamente la temperatura seleccionada.

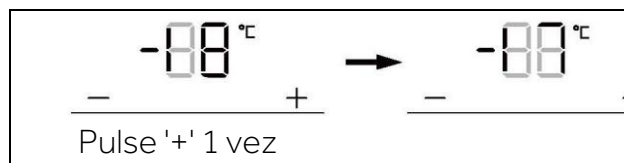
### Ajustar la temperatura del congelador

1. Cuando la pantalla esté desbloqueada, pulse el botón "C" (selector de zona). El zumbador suena una vez, el indicador "c2" (indicador del congelador) parpadea y se accede al modo de ajuste de la temperatura del congelador.

2. Pulse el botón "D1" (botón de ajuste de la temperatura "-"); el zumbador suena una vez y la temperatura del congelador se reducirá en 1 grado. La temperatura del congelador se mostrará en la secuencia "-14 °C -> -15 °C -> -16 °C -> -17 °C -> -18 °C -> -19 °C -> -20 °C -> -21 °C -> -22 °C -> -23 °C -> -24 °C".



3. Pulse el botón "D2" (botón de ajuste de la temperatura "+"); el zumbador suena una vez y la temperatura del congelador aumentará en 1 grado. La temperatura del congelador se mostrará en la secuencia "-24 °C -> -23 °C -> -22 °C -> -21 °C -> -20 °C -> -19 °C -> -18 °C -> -17 °C -> -16 °C -> -15 °C -> -14 °C".



### Aviso

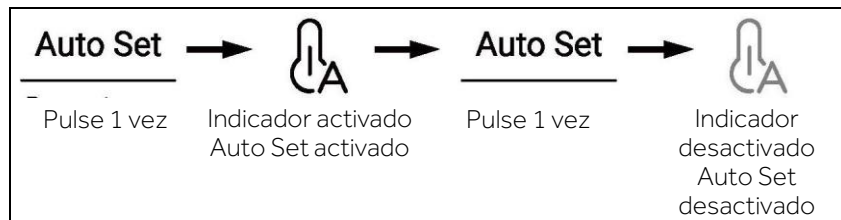
Después de ajustar la temperatura, si no se realiza otra ninguna acción en 5 segundos, el sistema guardará automáticamente la temperatura seleccionada.





## Modo Auto Set

1. Cuando la pantalla esté desbloqueada, pulse el botón "A" (selector del modo Auto Set); el zumbador suena una vez, se ilumina el indicador "a1" (modo Auto Set) y, a continuación, se activa la función Auto Set.
2. Cuando se encienda el indicador "a1" (modo Auto Set), pulse el botón "A" (selector del modo Auto Set); el zumbador suena una vez, se apaga el indicador "a1" (modo Auto Set) y, a continuación, se apaga la función Auto Set.



## Aviso

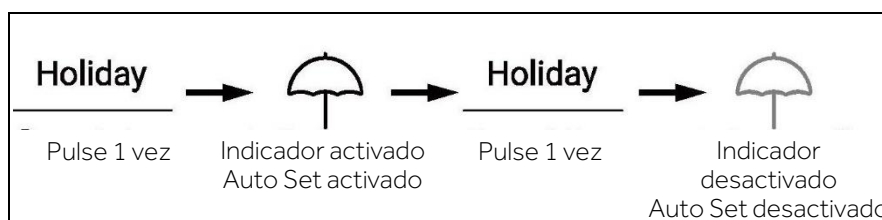
En el modo Auto Set no se puede ajustar la temperatura del frigorífico o del congelador. Si se pulsa el botón "D1" (botón de ajuste de la temperatura "-") o el botón "D2" (botón de ajuste de la temperatura "+") para ajustar la temperatura del frigorífico o del congelador, el indicador "a1" (indicador Auto Set) parpadeará con un sonido de aviso para indicar que esta operación no se puede realizar.

En el modo Auto Set, debido a diferentes métodos de control, si se configura la función "Super-Cool", "Super-Freeze" o "Holiday", el indicador "a1" (modo Auto Set) se apaga y la función Auto Set se desactivará automáticamente.

## Modo Holiday

El modo Holiday está diseñado para no utilizar el frigorífico durante mucho tiempo. Cuando el modo Holiday está encendido, el congelador está en condiciones normales de control, y la temperatura del frigorífico se ajusta automáticamente a 17 °C. La temperatura real no es superior a 17 °C, lo que previene la aparición de olores peculiares causadas por la sobretemperatura, y ayuda a reducir el consumo de energía al mismo tiempo.

1. Cuando la pantalla esté desbloqueada, pulse el botón "B" (selector del modo Holiday); el zumbador suena una vez, se ilumina el indicador "b" (modo Holiday) y, a continuación, se activa la función Holiday.
2. Cuando el indicador "b" (modo Holiday) se ilumina, pulse el botón "B" (selector del modo Holiday); el zumbador suena una vez, se apaga el indicador "b" (modo Holiday) y, a continuación, se desactiva la función Holiday.



## **i** Aviso

En el estado Holiday, la temperatura del frigorífico no se puede ajustar. Si se pulsa el botón "D1" (botón de ajuste de la temperatura "-") o "D2" (botón de ajuste de la temperatura "+") para ajustar la temperatura del frigorífico, el indicador "b" (indicador Holiday) parpadeará con un sonido de aviso para indicar que esta operación no se puede realizar.

Antes de usar la función Holiday, vacíe la nevera para evitar que la comida se eche a perder. Cuando la función Holiday está activada, la función "Auto Set" o "Super-Cool" no se pueden encender al mismo tiempo.

### **Función Super-Cool**

1. Cuando la pantalla esté desbloqueada, pulse el botón "F" (selector de la función Super-Cool); el zumbador suena una vez, se ilumina el indicador "f" (función Super-Cool) y, a continuación, se activa la función Super-Cool.
2. Cuando se encienda el indicador "f" (función Super-Cool), pulse el botón "F" (selector de Super-Cool); el zumbador suena una vez, el indicador "f" (función Super-Cool) se apaga y la función Super-Cool se desactivará.
3. Después de activar la función Super-Cool, el frigorífico desactivará automáticamente la función cuando se alcance la temperatura establecida. Si desea salir de forma manual, puede pulsar el botón "F" (selector de la función Super-Cool) para apagarla.



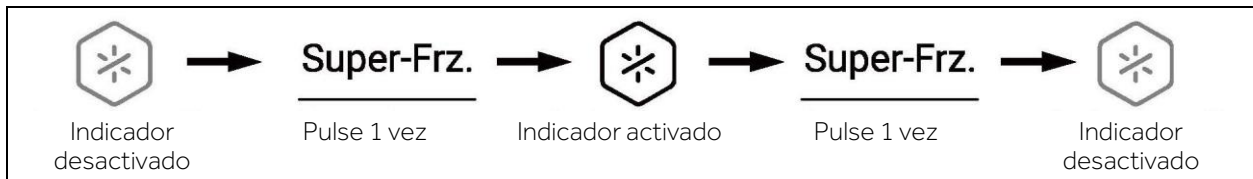
## **i** Aviso

En estado Super-Cool, la temperatura del frigorífico no se puede ajustar. Si se pulsa el botón "D1" (botón de ajuste de la temperatura "-") o "D2" (botón de ajuste de la temperatura "+") para ajustar la temperatura del frigorífico, el indicador "f" (indicador Super-Cool) parpadeará con un sonido de aviso para indicar que esta operación no se puede realizar.

En estado de la función Super-Cool, la función Auto-set o la función Holiday no pueden activarse al mismo tiempo debido a diferentes modos de control. Cuando elija una función que esté en conflicto con otra función, la función original se desactivará automáticamente.

## Función Super-Freeze (Super-Frz)

1. Cuando la pantalla esté desbloqueada, pulse el botón "E" (selector de Super-Frz.); el zumbador suena una vez, el indicador "e1" (función Super-Freeze) se ilumina y, a continuación, la función Super-Freeze se activa.
2. Cuando se encienda el indicador "e1" (función Super-Freeze), pulse el botón "E" (selector de Super-Frz.); el zumbador suena una vez, se apaga el indicador "e1" (función Super-Freeze) y, a continuación, se desactiva la función Super-Freeze.
3. Una vez activada la función Super-Freeze, el frigorífico la desactivará automáticamente cuando alcance la temperatura establecida. Si desea salir de forma manual, puede pulsar el botón "E" (selector de la función Super-Frz.) para apagarla.



## Aviso

En estado Super-Freeze, la temperatura del congelador no se puede ajustar. Si pulsa "D1" (botón de ajuste de la temperatura "-") o "D2" (botón de ajuste de la temperatura "+") para ajustar la temperatura del congelador, el indicador "e1" (indicador Super-Frz.) parpadeará con un sonido de aviso para indicar que esta operación no se puede realizar.

En estado de la función Super-Freeze, la función Auto-set no puede activarse al mismo tiempo debido a diferentes modos de control. Cuando elija una función que esté en conflicto con otra función, la función original se desactivará automáticamente.

## Función de filtro

Cuando el frigorífico lleve en funcionamiento seis meses, se iluminará el indicador de recordatorio "c3" (función de restablecimiento del filtro) para recordar a los usuarios que sustituyan el filtro. Al cambiar el filtro, mantenga pulsado el botón "C" (Selector de la función de restablecimiento del filtro) durante 3 segundos para cancelar el recordatorio, el temporizador se restablecerá y el zumbador emitirá un sonido.



## Aviso

La vida útil normal del filtro es de seis meses. Se recomienda reemplazar el filtro cada seis meses.

## Modo Ice maker

1. En estado de desbloqueo, pulse el botón "E" (selector del modo Ice maker) y manténgalo pulsado durante 3 segundos; el zumbador suena una vez, el indicador "e2" (modo Ice maker) se ilumina, y a continuación el modo Ice maker se activará.
2. Cuando se ilumine el indicador "e2" (modo Ice maker), pulse el botón "E" (selector del modo Ice maker) y manténgalo pulsado durante 3 segundos; el zumbador suena una vez, el indicador "e2" (modo Ice maker) se apaga y el modo Ice maker se desactiva.



## Aviso

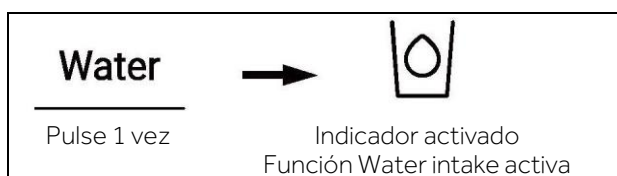
Al encender la aplicación, el fabricante de hielo está apagado por defecto.

Cuando no necesite cubitos de hielo durante un largo periodo de tiempo, apague la función Ice maker, vacíe el recipiente e inserte el recipiente limpio.

El sistema de fabricación de cubitos hielo solo puede configurarse de fábrica o adquirirse en su agente de servicio.

## Función Water intake

En cualquier estado (bloqueado o desbloqueado), pulse el botón "H1" (selector de la función Water intake), el zumbador suena una vez, se ilumina el indicador "h1" (función Water intake) y, a continuación, se activará la función de dispensación de agua.

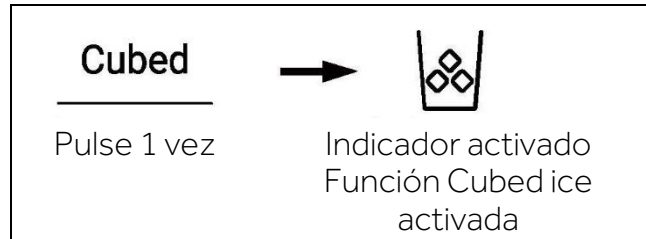


## Aviso

1. Cuando se enciende el indicador "h1" (función Water intake), los indicadores "h2" (función Cubed ice) y "h3" (función Crushed ice) se apagan. Al presionar la paleta dispensadora, saldrá agua por el dispensador.
2. Cuando el tiempo de entrada de agua alcance los 150 s, el frigorífico emitirá un pitido y mantendrá el agua hasta que llegue a 180 s, el agua se cortará y la válvula de agua entrará en el tiempo de protección de 200 s, y luego la entrada de agua puede llevarse a cabo de nuevo.
3. Cuando el tiempo acumulado de dispensación de agua alcanza los 5 minutos en un periodo de 10 minutos, la válvula de agua pasa a un periodo de protección de 10 minutos, transcurrido el cual el sistema volverá a dispensar agua.

## Función Cubed ice

En cualquier estado (bloqueado o desbloqueado), pulse el botón "H2" (selector de la función Cubed ice); el zumbador suena una vez, el indicador "h2" (función Cubed ice) se ilumina y, a continuación, se activará la función Cubed ice.

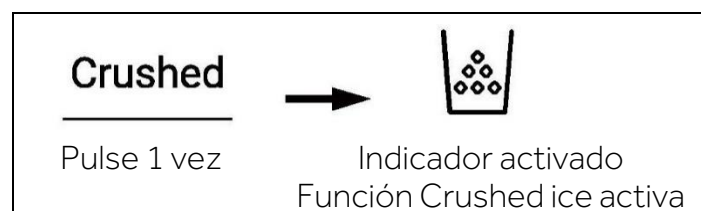


## Aviso

1. Cuando el indicador "h2" (función Cubed ice) se ilumina, los indicadores "h1" (función Water intake) y "h3" (función Crushed ice) se apagan. Después de pulsar el microinterruptor del distribuidor, los cubitos de hielo saldrán por el dispensador.
2. Cuando el fabricante de hielo se conecta por primera vez a la red eléctrica, la función Cubed ice se apaga de forma predeterminada.
3. Pulse el microinterruptor del dispensador, la luz del mismo se enciende con la tapa abierta. Entonces, el motor del hielo picado comienza a girar en sentido antihorario para empujar cubitos de hielo. Suelte el microinterruptor del dispensador; el motor del hielo picado se detiene y la tapa del dispensador se cerrará y la luz se apagará al cabo de 5 segundos.
4. Bajo el estado Cubed ice, cuando el tiempo exceda los 50 segundos, habrá un zumbador que comenzará a alertar (golpeando) para avisar a los usuarios que lo apaguen. Cuando el tiempo llega a 1 minuto, se fuerza a detener Cubed ice y es efectivo cuando se vuelve a pulsar el interruptor.
5. Durante la función Cubed ice, si se abre la puerta del frigorífico, el motor que entrega hielo se detendrá, con la tapa del dispensador cerrada, la luz del dispensador apagada y la función Cubed ice se detendrá.
6. Está prohibido fabricar hielo con la puerta del frigorífico abierta.

## Función Crushed ice

En cualquier estado (bloqueado o desbloqueado), pulse el botón "H3" (selector de la función Crushed ice); el zumbador suena una vez, se ilumina el indicador "h3" (función Crushed ice) y se activa la función Crushed ice.



## Aviso

Cuando el indicador "h3" (función Crushed ice) se ilumina, los indicadores "h1" (función Water intake) y "h2" (función Cubed ice) se apagan. Después de pulsar el microinterruptor del distribuidor, el hielo picado saldrá por el dispensador.

Pulse el microinterruptor del dispensador, la luz del mismo se enciende con la tapa abierta. Entonces, el motor del hielo picado comienza a girar en sentido horario para empujar cubitos de hielo. Suelte el microinterruptor del dispensador; la luz se apaga y el motor del hielo picado se detiene, la tapa del dispensador se cerrará y la luz se apagará al cabo de 5 segundos.

Bajo el estado Crushed ice, cuando el tiempo exceda los 50 segundos, habrá un zumbador que alertará a los usuarios para que lo apaguen. Cuando el tiempo llega a 1 minuto, se fuerza a detener la función Crushed ice y es efectivo cuando se vuelve a pulsar el interruptor.

Durante Crushed ice, si se abre la puerta del frigorífico, el motor que entrega hielo se detendrá, con la tapa del dispensador cerrada, la luz del dispensador apagada y Crushed ice se detendrá.

Está prohibido picar hielo con la puerta del frigorífico abierta.

## Alarma de apertura de la puerta

Si la puerta se mantiene abierta demasiado tiempo o la puerta no está bien cerrada, el frigorífico emitirá una alarma acústica a intervalos establecidos para recordarle que debe cerrar la puerta.

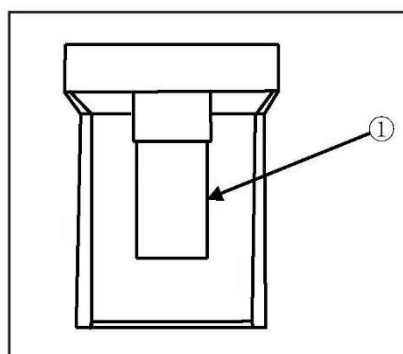
## Memoria de apagado

Se recuerda el estado de funcionamiento instantáneo de apagado. Al volver a encenderlo, sigue funcionando de acuerdo con la configuración previa.

## Uso del dispensador de agua y hielo

Pulse la tecla de selección del dispensador varias veces hasta que la luz sobre el indicador deseado se ilumine.

Presione la paleta del dispensador (1) con un vaso u otro recipiente para dispensar cubitos de hielo, agua o hielo picado.

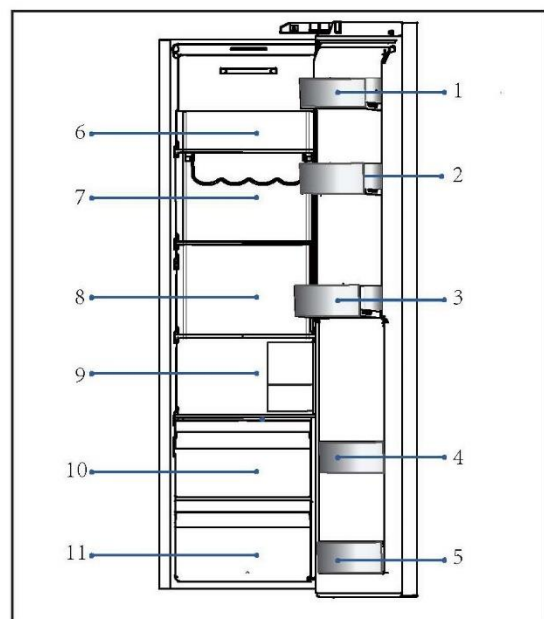


# CONSEJOS PARA ALMACENAR ALIMENTOS FRESCOS

## Almacenamiento en el compartimento frigorífico

1. Mantenga la temperatura de su frigorífico por debajo de los 5° C.
2. Los alimentos calientes deben haberse enfriado a temperatura ambiente antes de ser almacenados en el electrodoméstico.
3. Los alimentos almacenados en el frigorífico deben lavarse y secarse antes de almacenarse.
4. Los alimentos a almacenar deben estar debidamente sellados para evitar olores o alteraciones del sabor.
5. No almacene cantidades excesivas de comida. Deje espacio entre los alimentos para permitir que el aire frío fluya alrededor de ellos y lograr una refrigeración mejor y más homogénea.
6. Los alimentos consumidos diariamente deben almacenarse en la parte frontal del estante.
7. Deje un espacio entre los alimentos y las paredes interiores para permitir que el aire fluya. Se recomienda especialmente que los alimentos no toquen la pared trasera, ya que podrían congelarse adheridos a ella. Evite el contacto directo de los alimentos (especialmente alimentos aceitosos o ácidos) con el revestimiento interno, ya que el aceite/ácido puede erosionarlo. Limpie los restos de aceite/ácido cuando los encuentre.
8. Descongele los alimentos congelados en el compartimento frigorífico. De esta manera, puede utilizar los alimentos congelados para disminuir la temperatura en el compartimento y ahorrar energía.
9. El proceso de maduración de las frutas y verduras como calabacines, melones, papaya, plátano, piña, etc. se puede acelerar en el frigorífico. Por lo tanto, no es aconsejable conservarlos en el frigorífico. Sin embargo, se puede promover la maduración de algunas frutas durante un cierto período. Las cebollas, el ajo, el jengibre y otras raíces también deben almacenarse a temperatura ambiente.
10. Los malos olores en el interior del frigorífico son un signo de que algo se ha derramado y se requiere limpieza. Vea CUIDADO Y LIMPIEZA.
11. Los diferentes alimentos deben colocarse en diferentes áreas según sus propiedades:

- 1-Mantequilla, quesos, etc.
- 2-Huevos, alimentos enlatados, especias, etc.
- 3/4/5-Bebidas y alimentos embotellados.
- 6-Alimentos encurtidos, alimentos enlatados, etc.
- 7/8-Productos cárnicos, pescado, alimentos crudos
- 9-Latas, productos lácteos, etc.
- 10-Frutas, verduras, lechugas, etc.
- 11-Carne cocinada, salchichas, etc.

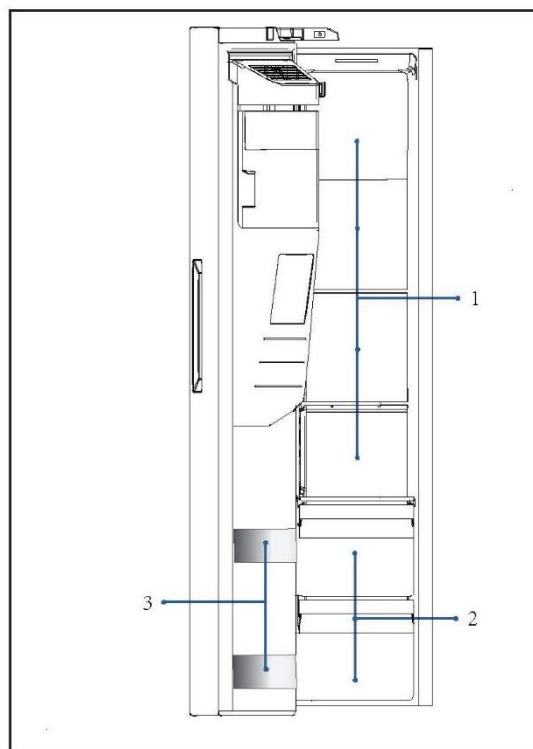


## CONSEJOS PARA ALMACENAR ALIMENTOS FRESCOS

### Conservación en el compartimento congelador

1. Mantenga la temperatura del congelador a  $-18^{\circ}\text{C}$ .
2. 12 horas antes de congelar más alimentos, active la función Super-Freeze (para pequeñas cantidades de alimentos, 4-6 horas son suficientes).
3. Los alimentos calientes deben haberse enfriado a temperatura ambiente antes de ser almacenados en el congelador.
4. Los alimentos cortados en porciones pequeñas se congelarán más rápido y serán más fáciles de descongelar y cocinar. El peso recomendado para cada porción es de menos de 2,5 kg.
5. Es mejor envasar los alimentos antes de introducirlos en el congelador. El exterior del embalaje debe estar seco para evitar que las bolsas se peguen. Los materiales de embalaje deben estar libres de olores y ser herméticos y no tóxicos.
6. Para evitar la expiración de los periodos de conservación, anote la fecha de congelación, el límite de tiempo y el nombre de los alimentos en el envase según los períodos de conservación de los diferentes alimentos.
7. **ADVERTENCIA:** El ácido, la alcalinidad y la sal, etc. podrían erosionar la superficie interna del congelador. No coloque los alimentos que contengan estas sustancias (p.ej.: pescados marinos) directamente sobre la superficie interna. El agua salada en el congelador debe limpiarse inmediatamente.
8. No supere el tiempo de almacenamiento recomendado por los fabricantes. Saque solo la cantidad necesaria de alimentos del congelador.
9. Los diferentes alimentos deben colocarse en diferentes áreas según sus propiedades:

- 1- Artículos menos pesados, como helados, verduras, pan, etc.
- 2- Porciones grandes / pesadas de alimentos, como trozos de carne para asar
- 3- Pizza etc.







## **NOTA: ALMACENAMIENTO**

1. Por favor, mantenga una distancia de más de 10 mm entre el alimento y el sensor para asegurar el efecto de enfriamiento.
2. Por favor, no retire el cajón inferior del aparato durante el funcionamiento para asegurar el efecto de enfriamiento.
3. Los alimentos que incluyan hielo (como helados, etc.) deben guardarse dentro del compartimento del congelador y no en los portabotellas. Los cambios de temperatura a los que están expuestos los portabotellas, provocados por la apertura y cierre de la puerta, pueden descongelar los alimentos.
4. Consuma rápidamente los alimentos descongelados. Los alimentos descongelados no pueden volver a congelarse a no ser que se cocinen previamente, ya que de lo contrario podrían resultar incomedibles.
5. No cargue cantidades excesivas de alimentos frescos en el congelador. Consulte la capacidad de congelación del congelador (Vea los DATOS TÉCNICOS o los datos de la placa).
6. Los alimentos pueden almacenarse en el congelador a una temperatura de al menos  $-18^{\circ}\text{C}$  de 2 a 12 meses, dependiendo de sus propiedades (p.ej. carne: 3 a 12 meses, verduras: 6 a 12 meses)
7. Cuando congele alimentos frescos, evite ponerlos en contacto con alimentos ya congelados. ¡Riesgo de descongelación!
8. Descongele los alimentos congelados en el frigorífico. De esta manera, puede utilizar los alimentos congelados para disminuir la temperatura en el compartimento y ahorrar energía.

### **Cuando guarde alimentos congelados en tienda, siga estas directrices:**

1. Siempre siga las directrices de los fabricantes sobre el tiempo que debe almacenar los alimentos. ¡No ignore estas directrices!
2. Trate de que el tiempo que pasa entre la compra y el almacenamiento sea el menor posible para preservar la calidad de los alimentos.
3. Compre alimentos congelados que se hayan conservado a una temperatura de  $-18^{\circ}\text{C}$  o menos.
4. Evite comprar alimentos que tengan hielo o escarcha en el envase: esto indica que los productos podrían haber sido parcialmente descongelados y recongelados en algún punto (el aumento de la temperatura afecta a la calidad de los alimentos).



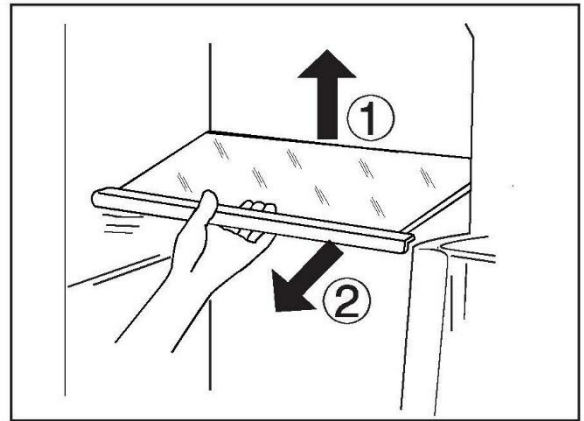
## Consejos de ahorro de energía:

- ▶ Asegúrese de que el electrodoméstico esté bien ventilado (vea INSTALACIÓN).
- ▶ No instale el electrodoméstico bajo la luz directa del sol o cerca de fuentes de calor (p. ej.: fogones, estufas...).
- ▶ Evite una temperatura innecesariamente baja en el electrodoméstico. El consumo de energía aumenta la temperatura del electrodoméstico.
- ▶ Las funciones como POWER-FREEZE consumen más energía.
- ▶ Deje enfriar los alimentos calientes antes de introducirlos en el electrodoméstico.
- ▶ Abra la puerta del electrodoméstico lo menos y lo más brevemente posible.
- ▶ No llene en exceso el electrodoméstico para evitar obstruir la circulación de aire.
- ▶ Evite la presencia de aire dentro del embalaje de los alimentos.
- ▶ Mantenga las juntas de la puerta limpias para que la puerta se cierre siempre correctamente.
- ▶ Descongele los alimentos congelados en el compartimento frigorífico.
- ▶ La configuración de más ahorro energético requiere que el electrodoméstico mantenga los cajones, las cajas de alimentos y los estantes. en condiciones de fábrica, y los alimentos deben colocarse lo más lejos posible sin bloquear la salida de aire del conducto.



### Estantes ajustables

1. La altura de los estantes se puede ajustar para adaptarse a sus necesidades de almacenamiento.
2. Para reubicar un estante, retírelo primero levantando su borde posterior ① y extráigalo ②.
3. Para volver a instalarlo, colóquelo en los rieles de ambos lados y empuje hasta que la parte trasera del estante se fije dentro de las ranuras laterales.

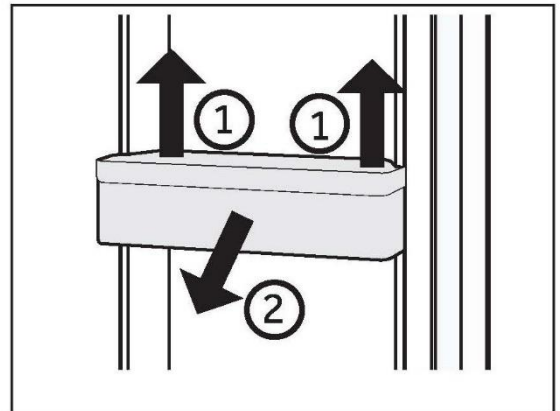


### **i** AVISO

Asegúrese de que todos los extremos del estante estén nivelados.

### Estantes de puerta/soportes para botellas desmontables

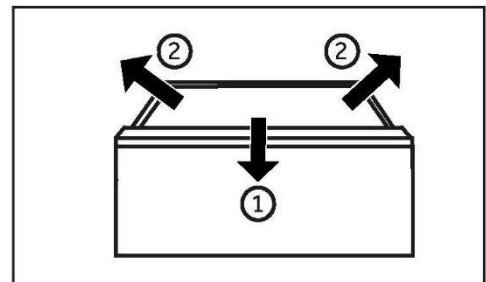
1. Los estantes de la puerta y el portabotellas pueden desmontarse para su limpieza:
2. Coloque las manos a cada lado del estante o el portabotellas, levántelo hacia arriba ① y extráigalo ②.
3. Para insertar los estantes de la puerta o el portabotellas, realice los pasos anteriores en orden inverso.



### Cajón extraíble

Para sacar el cajón, tire al máximo ①, levante y retire ②.

Para insertar el cajón, realice los pasos anteriores en orden inverso.



### Depósito de hielo

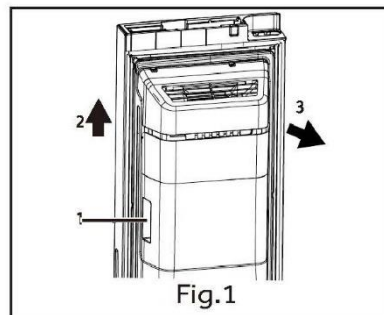
#### Interrupción de la producción de hielo

Si no se necesita hielo o agua durante un largo periodo de tiempo, se puede cerrar la válvula de suministro de agua al aparato.

El depósito de hielo debe limpiarse, secarse y volver a colocarse en el aparato para evitar la aparición de olores.

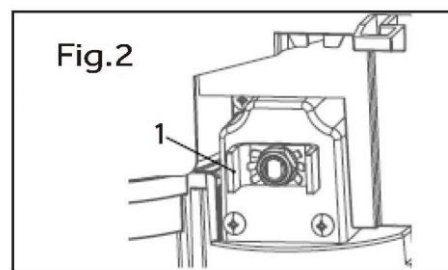
### Extracción del depósito de hielo

1. Sujete ambos ganchos laterales.
2. Levante el depósito.
3. Saque el depósito.



### Reinstalación del depósito de hielo

Para volver a colocar el depósito de hielo, es preciso alinear el soporte en forma de U situado detrás del depósito de hielo (1 en la Fig.2) con la estructura metálica correspondiente. Siga los pasos de la Fig. 1 en orden inverso.



### AVISO

La humedad puede condensarse y congelar la caja de hielo.

**¡ADVERTENCIA!**

Desconecte el electrodoméstico de la fuente de alimentación antes de limpiarlo.

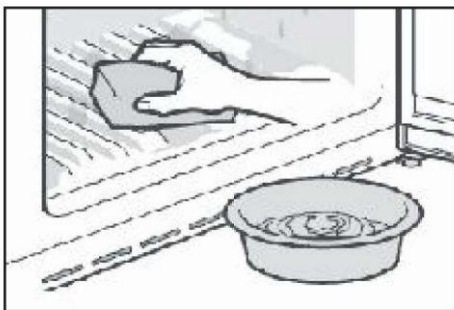
**Limpieza**

Limpie el electrodoméstico solo cuando haya pocos o ningún alimento guardado.

Este electrodoméstico debe limpiarse cada cuatro semanas para realizar un buen mantenimiento y evitar malos olores.

**¡ADVERTENCIA!**

- ▶ No limpie el electrodoméstico con cepillos duros, cepillos de alambre, detergente en polvo, gasolina, acetato de amilo, acetona y soluciones orgánicas similares, soluciones ácidas o alcalinas. Limpie con un detergente especial para frigoríficos para evitar daños.
- ▶ No rocíe ni enjuague el electrodoméstico durante la limpieza.
- ▶ No use agua pulverizada o vapor para limpiar el electrodoméstico.
- ▶ No limpie los estantes de cristal fríos con agua caliente. Un cambio repentino de temperatura puede causar que el cristal se rompa.
- ▶ No toque la superficie interior del compartimento del electrodoméstico, especialmente con las manos mojadas, ya que las manos pueden congelarse en la superficie.
- ▶ En caso de calentamiento, compruebe el estado de los productos congelados.



- ▶ Mantenga siempre limpia la junta de la puerta.
  - ▶ Limpie el interior y el armazón del electrodoméstico con una esponja humedecida en agua tibia y detergente neutro.
1. Frote el interior y el exterior del frigorífico, incluyendo la junta de la puerta, los estantes de la puerta, los estantes de cristal, los cajones, etc., con una toalla suave o una esponja sumergida en agua caliente (se puede añadir detergente neutro).
  2. Si hay líquido derramado, retire todas las piezas contaminadas, enjuague directamente con agua corriente, seque y coloque las piezas de nuevo en el frigorífico.
  3. Si hay productos cremosos derramados (como nata, helado derretido...), retire todas las piezas contaminadas, póngalas en agua caliente a unos 40 °C durante un rato, enjuague con agua corriente, séquelas y colóquelas de nuevo en el frigorífico.
  4. En caso de que alguna parte o componente pequeño quede atascada dentro del frigorífico (entre las estanterías o los cajones), utilice un cepillo suave pequeño para sacarlo. Si no la alcanza, póngase en contacto con el servicio de Haier.
- ▶ Aclare y seque con un paño suave.
  - ▶ No limpie ninguna de las piezas o partes de este electrodoméstico en un lavavajillas.
  - ▶ Deje pasar al menos 5 minutos antes de reiniciar el electrodoméstico, ya que el arranque frecuente puede dañar el compresor.

**Descongelación**

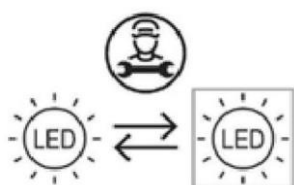
La descongelación de los compartimentos frigorífico y congelador se realiza automáticamente: no se requiere ninguna operación manual.

### Sustitución de las lámparas LED

#### ¡ADVERTENCIA!

No sustituya usted mismo la lámpara LED, solo debe cambiarla el fabricante o un técnico autorizado.

Las lámparas utilizan LED como fuente de luz, con bajo consumo energético y larga vida útil. Si detecta alguna anomalía, póngase en contacto con el servicio de atención al cliente. Vea ATENCIÓN AL CLIENTE.



Fuente de luz reemplazable (solo LED) por un profesional.

Este producto contiene una fuente luminosa de clase de eficiencia energética G.

Compartimento	Tensión	Clase de eficiencia energética	Modelo
Frigorífico	12 V	G	HSW59F18DIMM
Congelador	12 V	G	HSW79F18DIPT
Retroiluminación	12 V	G	HSW79F18DIPT

#### Limpieza del depósito de hielo

Limpie periódicamente el depósito de hielo con agua tibia, sobre todo si los cubitos envejecen y emiten mal olor. Seque bien el depósito antes de volver a colocarlo en el aparato para evitar que los cubitos de hielo se peguen a las paredes.

#### Si no se utiliza durante un período más largo

Si el aparato no se utiliza durante un periodo de tiempo prolongado, y no va a utilizar la función Holiday para el frigorífico:

- ▶ Saque la comida.
- ▶ Desenchufe el cable de la toma de corriente.
- ▶ Limpie el electrodoméstico como se ha descrito anteriormente.
- ▶ Mantenga las puertas abiertas para evitar que se generen malos olores en el interior.

#### AVISO

Apague el electrodoméstico solo si es estrictamente necesario.



### Traslado del electrodoméstico

1. Retire toda la comida y desenchufe el electrodoméstico.
2. Fije los estantes y otras partes móviles en el frigorífico y el congelador con cinta adhesiva.
3. No incline el frigorífico más de 45° para evitar dañar el sistema de refrigeración.



### ¡ADVERTENCIA!

- ▶ No levante el electrodoméstico por las asas.
- ▶ No coloque el electrodoméstico horizontalmente sobre el suelo.

### Sustitución del filtro

El filtro de agua debe cambiarse aproximadamente cada 6 meses, cuando se encienda el indicador "c3" (función de restablecimiento del filtro).

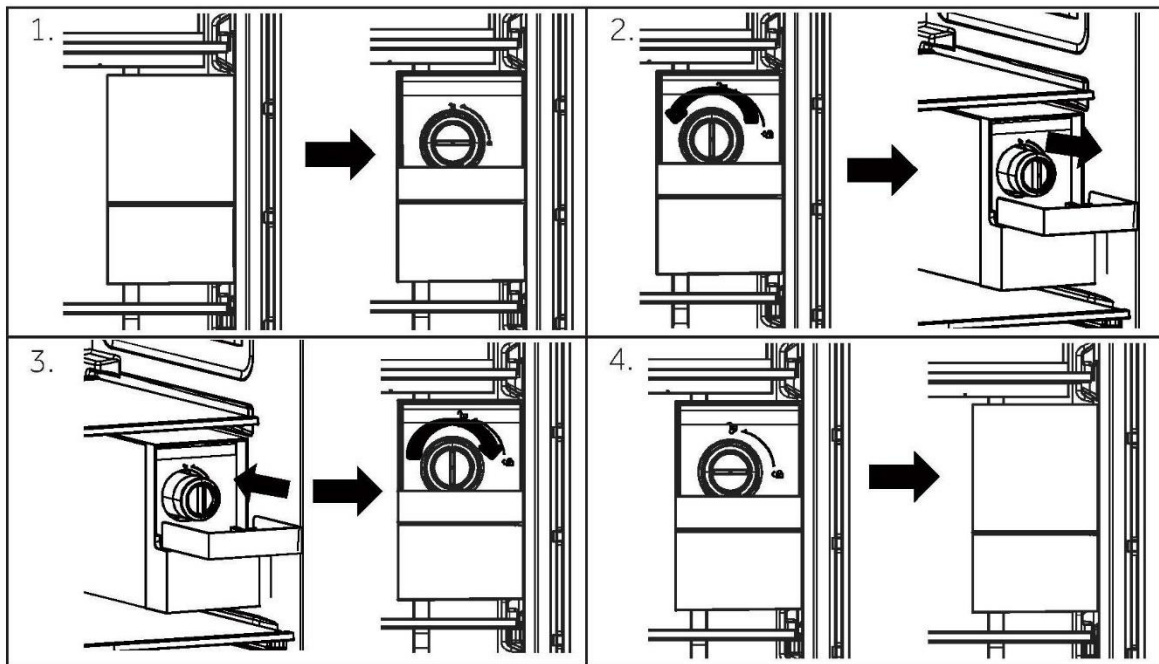
Para adquirir un filtro de agua de recambio:

- Utilice el cartucho de repuesto: HRXWF
- Visite a su distribuidor local. Para obtener más ayuda, visite nuestro sitio web en [www.haierpares.eu](http://www.haierpares.eu)



### Aviso

- ▶ Reemplazar el filtro de agua hace que se drene una pequeña cantidad de agua (alrededor de 1 onza o 25 cc).
  - ▶ Envuelva un paño alrededor del extremo delantero de la tapa del filtro de agua para recoger el agua que se escape. Sujete el filtro de agua en posición vertical, una vez retirado, para evitar que se derrame el agua restante del filtro de agua.
1. Presione el centro de la cubierta superior y gírela hacia abajo.
  2. Retire el filtro de agua desechable.
  3. Reemplace por un nuevo filtro de agua. Inserte el filtro nuevo en el cabezal del filtro y gírelo en el sentido de las agujas del reloj hasta que la flecha del filtro nuevo se alinee con la flecha del cabezal del filtro. Vuelva a girar el filtro en el compartimiento.
  4. Cierre la tapa del filtro de agua.



5. Mantenga pulsado el botón 3Sec. Filter Reset durante 3 segundos.
6. Dispense agua durante aproximadamente 5 minutos para eliminar el aire y los contaminantes atrapados.



## ¡PRECAUCIÓN!

- ▶ Si no se reemplazan los filtros cuando sea necesario o si se usan filtros de agua no autorizados por Haier, el cartucho del filtro puede tener fugas y provocar daños a la propiedad.

### Filtro de agua

#### Modelo: Haier HRXWF

- ▶ Sistema certificado por IAPMO R&T con respecto a las normas NSF/ANSI 42, 53, 401 y P473 con respecto a la reducción de reclamaciones especificadas en la ficha de datos de rendimiento y en [iapmort.org](http://iapmort.org).
- ▶ El rendimiento real puede variar con las condiciones locales del agua.

#### Directrices de aplicación/Parámetros de abastecimiento de agua

Flujo de servicio: 0,5 gpm (1,89 lpm)

Suministro de agua: Agua potable

Presión del agua: 25-120 psi (172-827 kPa)

Temperatura del agua: 0,6 °C-38 °C

Capacidad: 170 galones (643,5 litros)

Es esencial que los requisitos de instalación, mantenimiento y sustitución de filtros recomendados por el fabricante se lleven a cabo para que el producto funcione como se anuncia. Consulte el manual de instalación para obtener información sobre la garantía.





### Aviso

Si bien las pruebas se realizaron bajo condiciones de laboratorio estándar, el rendimiento real puede variar. Cartucho de repuesto: HRXWF Para conocer los costes estimados de las piezas de repuesto, visite nuestro sitio web en [www.haierspares.eu](http://www.haierspares.eu).



### ¡ADVERTENCIA!

- ▶ Para reducir el riesgo asociado a la ingestión de contaminantes:
- ▶ No lo use con agua microbiológicamente insegura o de calidad desconocida sin una desinfección adecuada antes y después del sistema. Los sistemas certificados para la reducción de quistes se pueden usar en agua desinfectada que puede contener quistes filtrables.



### Aviso

#### **Para reducir el riesgo de fuga de agua o inundación, y para garantizar un rendimiento óptimo del filtro:**

- ▶ Lea y siga las instrucciones de uso antes de la instalación y el uso de este sistema.
- ▶ La instalación y el uso DEBEN cumplir con todos los códigos de fontanería estatales y locales.
- ▶ No instale si la presión del agua supera los 120 psi (827 kPa). Si la presión del agua supera los 80 psi (552 kPa), debe instalar una válvula limitadora de presión. Póngase en contacto con un fontanero profesional si no está seguro de cómo controlar la presión del agua.
- ▶ No instale donde puedan ocurrir condiciones de golpe de ariete. Si existen condiciones de golpe de ariete, debe instalar un protector de golpe de ariete. Póngase en contacto con un fontanero profesional si no está seguro de cómo comprobar estas condiciones.
- ▶ No lo instale en líneas de suministro de agua caliente. La temperatura máxima de funcionamiento del agua de este sistema de filtrado es de 38 °C.
- ▶ Evite que el filtro se congele. Drene el filtro cuando las temperaturas desciendan por debajo de 0,6 °C.
- ▶ Cambie el cartucho de filtro desechable cada seis meses o antes si observa una reducción notable en el caudal de agua.
- ▶ Si no se reemplaza el cartucho de filtro desechable en los intervalos recomendados, se puede reducir el rendimiento del filtro y agrietarse la carcasa, lo que provocaría fugas de agua o inundaciones.
- ▶ Este sistema ha sido probado según la NSF/ANSI 42, 53, 401 y P473 para la reducción de las sustancias enumeradas a continuación. La concentración de las sustancias indicadas en el agua que ingresa al sistema se redujo a una concentración menor o igual al límite permisible para el agua que sale del sistema, como se especifica en NSF/ANSI 42, 53, 401 y P473.



Usted mismo puede resolver muchos de los problemas que puedan presentarse sin tener conocimientos específicos. En caso de que se produzca algún problema, compruebe todas las posibilidades ilustradas y siga las instrucciones pertinentes antes de ponerse en contacto con un servicio posventa. Vea ATENCIÓN AL CLIENTE.



## ¡ADVERTENCIA!

- ▶ Antes de realizar tareas de mantenimiento, desactive el electrodoméstico y desconecte el enchufe de la toma de corriente.
- ▶ Los equipos eléctricos solo deben ser revisados y manejados por electricistas expertos cualificados, ya que las reparaciones incorrectas pueden causar daños considerables en consecuencia.
- ▶ Si el sistema de alimentación está dañado, debe ser sustituido por el fabricante, por su servicio técnico o por cualquier profesional cualificado similar para evitar riesgos.

Problema	Causa posible	Solución posible
El compresor no funciona.	<ul style="list-style-type: none"> <li>• El enchufe no está conectado a la toma de corriente.</li> <li>• El electrodoméstico está en el ciclo de descongelación</li> </ul>	<ul style="list-style-type: none"> <li>• Conecte el enchufe.</li> <li>• Esto es normal para una descongelación automática</li> </ul>
El electrodoméstico funciona con frecuencia o funciona durante un período de tiempo demasiado largo.	<ul style="list-style-type: none"> <li>• La temperatura interior o exterior es demasiado alta.</li> <li>• El electrodoméstico ha estado apagado durante cierto de tiempo.</li> <li>• Una puerta del electrodoméstico no está bien cerrada.</li> <li>• La puerta se ha abierto con demasiada frecuencia o durante mucho tiempo.</li> <li>• El ajuste de temperatura del compartimento congelador es demasiado bajo.</li> <li>• La junta de la puerta está sucia, desgastada, agrietada o desaparejada.</li> <li>• La circulación de aire requerida no está garantizada.</li> </ul>	<ul style="list-style-type: none"> <li>• En este caso, es normal que el electrodoméstico funcione más tiempo.</li> <li>• Normalmente, lleva de 8 a 12 horas que el electrodoméstico se enfríe completamente.</li> <li>• Cierre la puerta/cajón y asegúrese de que el electrodoméstico esté ubicado sobre una superficie plana y que no haya alimentos o recipientes que impidan que la puerta se cierre bien.</li> <li>• No abra la puerta/cajón con demasiada frecuencia.</li> <li>• Ajuste una temperatura más alta hasta obtener una temperatura satisfactoria para el frigorífico. Se necesitan 24 horas para que la temperatura del frigorífico se mantenga estable.</li> <li>• Limpie la junta de la puerta/cajón o pídale al servicio de atención al cliente que la cambie.</li> <li>• Garantice una ventilación adecuada.</li> </ul>



Problema	Causa posible	Solución posible
El interior del frigorífico está sucio y/o huele mal.	<ul style="list-style-type: none"><li>• El interior del frigorífico necesita limpieza.</li><li>• Hay alimentos de olor fuerte guardados en el frigorífico.</li></ul>	<ul style="list-style-type: none"><li>• Limpie el interior del frigorífico.</li><li>• Envuelva bien los alimentos.</li></ul>
El electrodoméstico hace sonidos anormales.	<ul style="list-style-type: none"><li>• El electrodoméstico no está ubicado sobre una superficie plana.</li><li>• El electrodoméstico toca algún objeto a su alrededor.</li></ul>	<ul style="list-style-type: none"><li>• Ajuste las patas para nivelar el electrodoméstico.</li><li>• Retire los objetos que haya alrededor del electrodoméstico.</li></ul>
La temperatura del interior del electrodoméstico no es lo suficientemente fría.	<ul style="list-style-type: none"><li>• La temperatura establecida es demasiado alta. Se han almacenado alimentos demasiado calientes.</li><li>• Se ha almacenado demasiada comida a la vez.</li><li>• Los alimentos están demasiado cerca entre sí.</li><li>• Una puerta/cajón del electrodoméstico no está bien cerrada.</li><li>• La puerta/cajón se ha abierto con demasiada frecuencia o durante mucho tiempo.</li></ul>	<ul style="list-style-type: none"><li>• Restablezca la temperatura.</li><li>• Enfríe siempre los alimentos antes de guardarlos.</li><li>• Guarde siempre pequeñas cantidades de alimentos.</li><li>• Deje un espacio entre varios alimentos para permitir que el aire fluya.</li><li>• Cierre la puerta/cajón.</li><li>• No abra la puerta/cajón con demasiada frecuencia.</li></ul>
La temperatura del interior del electrodoméstico es demasiado fría.	<ul style="list-style-type: none"><li>• La temperatura establecida es demasiado baja. La función Super-Frz/Super-Cool está activada o funciona demasiado tiempo.</li></ul>	<ul style="list-style-type: none"><li>• Restablezca la temperatura.</li><li>• Apague la función Super-Frz/Super-Cool.</li></ul>
Formación de humedad en el interior del compartimento frigorífico.	<ul style="list-style-type: none"><li>• El clima es demasiado cálido y húmedo.</li><li>• Una puerta/cajón del electrodoméstico no está bien cerrada.</li><li>• La puerta/cajón se ha abierto con demasiada frecuencia o durante mucho tiempo.</li><li>• Hay recipientes de alimentos o líquidos abiertos.</li></ul>	<ul style="list-style-type: none"><li>• Aumente la temperatura.</li><li>• Cierre la puerta/cajón.</li><li>• No abra la puerta/cajón con demasiada frecuencia.</li><li>• Deje que los alimentos calientes se enfríen a temperatura ambiente y cubra los alimentos y líquidos.</li></ul>
Se acumula humedad fuera de la superficie o entre las puertas/puerta y cajón.	<ul style="list-style-type: none"><li>• El ambiente es demasiado cálido y demasiado húmedo.</li><li>• La puerta no está bien cerrada. Se produce condensación por la presencia de aire frío dentro del electrodoméstico y aire caliente en el exterior.</li></ul>	<ul style="list-style-type: none"><li>• Esto es normal en un ambiente húmedo y cambiará cuando la humedad disminuya.</li><li>• Asegúrese de que la puerta/cajón está bien cerrada.</li></ul>

Problema	Causa posible	Solución posible
Hay mucho hielo y escarcha en el compartimento congelador.	<ul style="list-style-type: none"> <li>• Los alimentos no están correctamente embalados.</li> <li>• Una puerta/cajón del electrodoméstico no está bien cerrada.</li> <li>• La puerta/cajón se ha abierto con demasiada frecuencia o durante mucho tiempo.</li> <li>• La junta de la puerta/cajón está sucia, desgastada, agrietada o desparejada.</li> <li>• Algo en el interior impide que la puerta o el cajón se cierren correctamente.</li> </ul>	<ul style="list-style-type: none"> <li>• Embale bien los alimentos.</li> <li>• Cierre la puerta/cajón.</li> <li>• No abra la puerta/cajón con demasiada frecuencia.</li> <li>• Limpie la junta de la puerta/cajón o cámbiela por una nueva.</li> <li>• Vuelva a colocar los estantes, estantes de la puerta o contenedores internos para permitir que la puerta/cajón se cierre.</li> </ul>
Los lados del frigorífico y la tira de la puerta se calientan.	<ul style="list-style-type: none"> <li>• -</li> </ul>	<ul style="list-style-type: none"> <li>• Esto es normal.</li> </ul>
El electrodoméstico hace sonidos anormales.	<ul style="list-style-type: none"> <li>• El electrodoméstico no está ubicado sobre una superficie plana.</li> <li>• El electrodoméstico toca algún objeto a su alrededor.</li> </ul>	<ul style="list-style-type: none"> <li>• Ajuste las patas para nivelar el electrodoméstico.</li> <li>• Retire los objetos que haya alrededor del electrodoméstico.</li> </ul>
Se oye un ligero sonido similar al del flujo de agua.	<ul style="list-style-type: none"> <li>• -</li> </ul>	<ul style="list-style-type: none"> <li>• Esto es normal.</li> </ul>
Oirá un pitido de alarma.	<ul style="list-style-type: none"> <li>• La puerta del compartimento frigorífico está abierta.</li> </ul>	<ul style="list-style-type: none"> <li>• Cierre la puerta.</li> </ul>
Oirá un débil zumbido.	<ul style="list-style-type: none"> <li>• El sistema anticondensación está en marcha</li> </ul>	<ul style="list-style-type: none"> <li>• Esto evita la condensación y es normal</li> </ul>
El sistema de iluminación o refrigeración interior no funciona.	<ul style="list-style-type: none"> <li>• El enchufe no está conectado a la toma de corriente.</li> <li>• La fuente de alimentación presenta alguna alteración.</li> <li>• La lámpara LED no funciona.</li> </ul>	<ul style="list-style-type: none"> <li>• Conecte el enchufe.</li> <li>• Compruebe el suministro eléctrico a la habitación. Llame a la compañía eléctrica local.</li> <li>• Llame al servicio técnico para cambiar la lámpara.</li> </ul>
Fuga o goteo de agua del surtidor del dispensador de agua.	<ul style="list-style-type: none"> <li>• El depósito de agua no está instalado correctamente</li> <li>• El surtidor del dispensador de agua no está bien atornillado al depósito.</li> <li>• Falta la junta tórica de silicona blanca en el surtidor de agua.</li> </ul>	<ul style="list-style-type: none"> <li>• Vuelva a colocar el depósito de agua en la puerta del frigorífico, asegúrese de que quede completamente introducido en la puerta.</li> <li>• El surtidor de agua está firmemente atornillado al depósito de agua.</li> <li>• Compruebe que el surtidor de agua tenga una junta tórica de silicona blanca en el extremo del depósito antes de colocar el surtidor de agua en el depósito de agua.</li> </ul>



Para ponerse en contacto con el servicio de asistencia técnica, visite nuestro sitio web: <https://corporate.haier-europe.com/en/>

En la sección "website", elija la marca de su producto y su país. Se le redirigirá a la página web específica donde podrá encontrar el número de teléfono y el formulario para ponerse en contacto con el servicio de asistencia técnica.

### Interrupción del suministro

En caso de un corte de luz, los alimentos deberían permanecer frescos y a salvo durante 5 horas. Siga estos consejos durante una interrupción prolongada del suministro, especialmente en verano:

- ▶ abra la puerta/cajón lo menos posible.
- ▶ No introduzca más alimentos en el electrodoméstico durante un corte de luz.
- ▶ Si se da el aviso previo de un corte de luz y la duración de la interrupción es superior a 5 horas, fabrique algo de hielo y póngalo en un recipiente en la parte superior del compartimento frigorífico.
- ▶ Inmediatamente después de la interrupción, es necesario llevar a cabo una inspección de los alimentos.
- ▶ Como la temperatura del frigorífico subirá durante una interrupción del suministro eléctrico u otro fallo, el período de conservación y la calidad comestible de los alimentos se reducirán. Cualquier alimento que se descongele debe consumirse, o bien cocinarse y volver a congelarse (cuando proceda) rápidamente para evitar riesgos para la salud.



### NOTA: Función de memoria durante el corte de luz

En cuanto vuelva la luz, el electrodoméstico restablecerá los ajustes establecidos antes del corte de luz.

## Desempaquetado

### ⚠ ¡ADVERTENCIA!

- ▶ Este es un electrodoméstico pesado. Manipúlelo con la ayuda de otra persona.
- ▶ Mantenga todo el material de embalaje fuera del alcance de los niños y deséchelo de forma respetuosa con el medio ambiente.
- ▶ Saque el electrodoméstico de su embalaje.
- ▶ Retire todos los materiales de embalaje.

## Condiciones ambientales

La temperatura ambiente debería encontrarse siempre entre 10 °C y 43 °C, ya que puede influir en la temperatura del interior del electrodoméstico y en su consumo energético. No instale el electrodoméstico cerca de otros electrodomésticos emisores de calor (hornos, neveras) sin aislamiento.

- Templada extendida (SN): este electrodoméstico de refrigeración está diseñado para su uso a una temperatura ambiente comprendida entre 10 °C y 32 °C.
- Templada (N): este electrodoméstico de refrigeración está diseñado para su uso a una temperatura ambiente comprendida entre 16 °C y 32 °C.
- Subtropical (ST): este electrodoméstico de refrigeración está diseñado para su uso a una temperatura ambiente comprendida entre 16 °C y 38 °C.

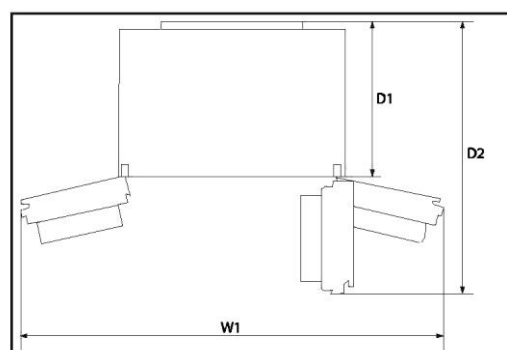
## Requisitos de espacio

Espacio requerido con la puerta abierta:

W1 = 157,8 cm

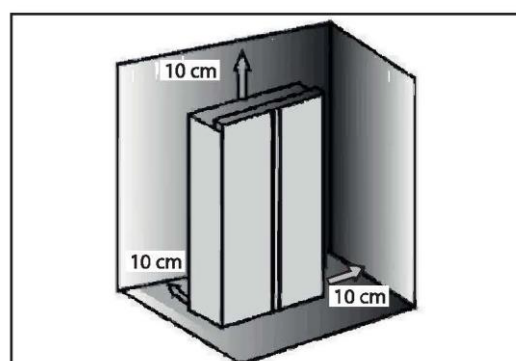
D1 = 62,9 cm

D2 = 117,5 cm



## Sección cruzada de ventilación

Para lograr una ventilación suficiente del electrodoméstico por razones de seguridad, debe observarse la información de las secciones cruzadas de ventilación requeridas.

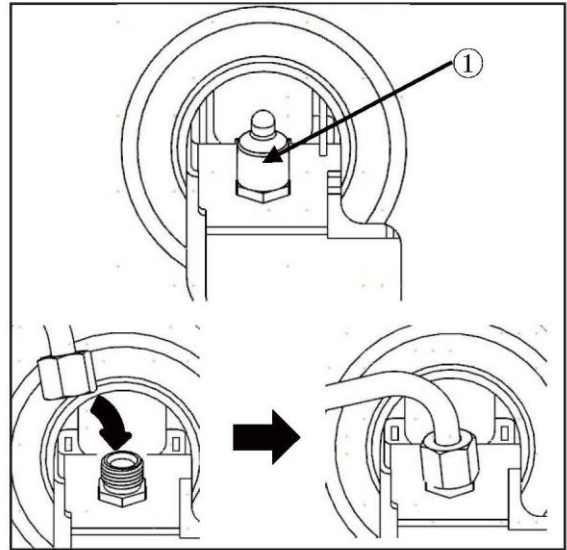


### **i** AVISO

Para un electrodoméstico independiente: este electrodoméstico de refrigeración no está diseñado para ser utilizado como un electrodoméstico empotrado.

## Conexión del agua al electrodoméstico

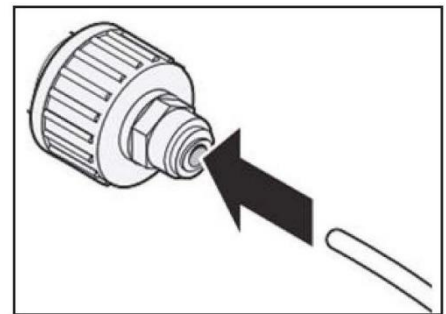
1. Retire el tapón de goma (1) de la válvula de entrada de agua.
2. Empuje firmemente el tubo de agua en la válvula de entrada de agua y apriete la tuerca de la abrazadera. Esta tubería de agua debe cortarse por la mitad antes de usar una de sus secciones; la otra sección se usa como repuesto.



## Conexión al grifo de agua

Esta función solo está disponible en algunos modelos.

1. Introduzca el tubo de agua en el orificio del conector del grifo suministrado en los accesorios. La tubería debe sujetarse firmemente mientras se empuja el conector en la tubería.
  2. Asegúrese de que la arandela de goma esté colocada en el interior del conector del grifo antes de enroscarla en el grifo.
- ▶ Es posible que tenga que comprar un conector o un adaptador separados si su accesorio de grifo no coincide con el tamaño de rosca del conector proporcionado.



## Comprobación de la conexión de agua

Esta función solo está disponible en algunos modelos.

- ▶ Encienda el suministro de agua y encienda el electrodoméstico. Compruebe cuidadosamente todos los accesorios para ver si hay posibles fugas debido a mangueras mal instaladas.
- ▶ Mantenga pulsado el botón 3Sec. Filter Reset durante tres segundos. El nuevo filtro de agua ha sido activado.
- ▶ Coloque una taza bajo el dispensador de agua para verificar que el agua fluye a través del aparato.
- ▶ Compruebe de nuevo el tubo de conexión y las juntas para fugas.



## ¡ADVERTENCIA!

- ▶ Asegúrese de que las conexiones estén siempre firmes, secas y sin fugas.
- ▶ Asegúrese de que la manguera nunca esté aplastada, doblada o retorcida.

### Nivelación del electrodoméstico

Este electrodoméstico debe colocarse sobre una superficie plana y sólida.

1. Incline el electrodoméstico ligeramente hacia atrás (Fig. 7).
2. Ajuste las patas al nivel deseado. Asegúrese de que la distancia a la pared en los lados de las bisagras sea de al menos 10 cm.
3. Puede comprobarse la estabilidad golpeando alternativamente las diagonales. El ligero bamboleo debe ser el mismo en ambas direcciones. De lo contrario, el marco puede deformarse y resultar en fugas en las juntas de la puerta. Una ligerísima inclinación hacia atrás facilita el cierre de las puertas.

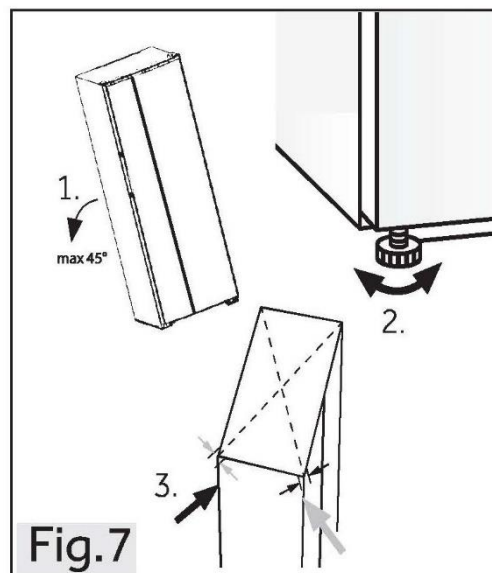


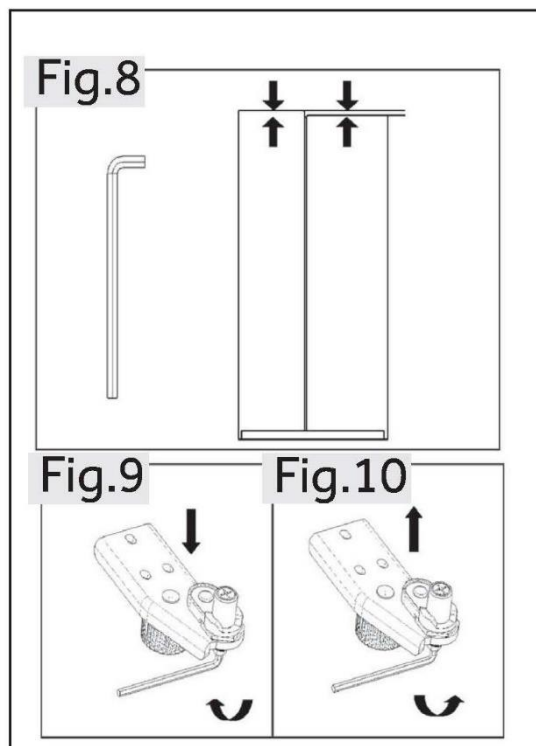
Fig.7

### Ajuste de las puertas

Si después de nivelar las puertas con las patas las puertas siguen sin estar a un mismo nivel, este desajuste puede solucionarse girando con una llave el eje de elevación de la bisagra situado en la esquina inferior derecha de la puerta frigorífica (Fig. 8).

Gire el eje de elevación con la llave en el sentido de las agujas del reloj para bajar la altura de la puerta (Fig. 9).

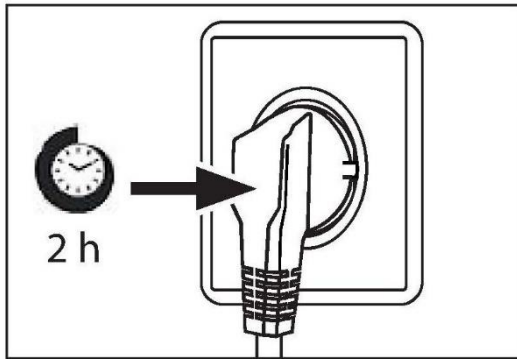
Gire el eje de elevación con la llave en el sentido contrario a las agujas del reloj hasta la altura de la puerta izquierda (Fig. 10).





 ¡ADVERTENCIA!

No ajuste excesivamente el eje de elevación de la bisagra a una altura que pueda hacer que el eje salga de su posición de bloqueo original (rango de altura ajustable: 3 mm).

**Tiempo de espera**

El aceite de lubricación sin mantenimiento se encuentra en la cápsula del compresor. Este aceite puede pasar por el sistema de tuberías cerradas durante el transporte si el electrodoméstico está inclinado. Antes de conectar el electrodoméstico a la fuente de alimentación, espere al menos 2 horas para que el aceite vuelva a entrar en la cápsula.

**Conexión eléctrica****Antes de cada conexión, compruebe si:**

- ▶ La fuente de alimentación, la toma de corriente y el fusible son adecuados para la placa de clasificación.
- ▶ La toma de corriente tiene conexión a tierra y no tiene múltiples contactos ni extensiones.
- ▶ El enchufe y la toma de corriente encajan perfectamente.

Conecte el enchufe a una toma de corriente doméstica correctamente instalada.

 ¡ADVERTENCIA!

Para evitar riesgos, solo el servicio de atención al cliente debe reemplazar un cable de alimentación dañado (ver tarjeta de garantía).

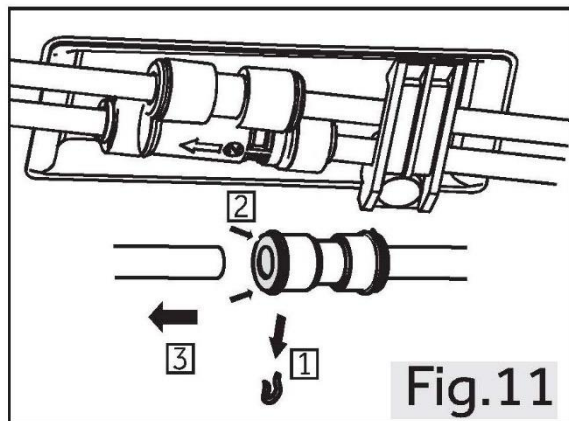
**Desmontaje e instalación de las puertas**

En caso de que necesite retirar las puertas del electrodoméstico, siga las instrucciones de retirada e instalación de las puertas que se indican a continuación.

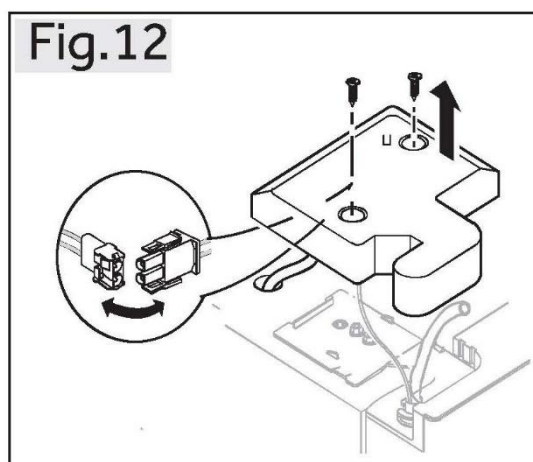
 ¡ADVERTENCIA!

- ▶ Antes de realizar cualquier operación, desactive el electrodoméstico y desconecte el enchufe de la toma de corriente.
- ▶ Bloquee el suministro de agua.
- ▶ El aparato es pesado. Manipúlelo con la ayuda de otra persona.
- ▶ No incline el aparato más de 45° ni lo coloque horizontalmente en el suelo.
- ▶ La puerta puede caerse y herir a las personas, o dañarse durante estos pasos, por favor preste más atención al retirar e instalar las puertas.

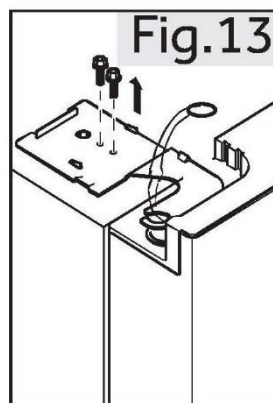
1. Suelte el lado izquierdo de los dos acopladores de agua situados en la esquina delantera izquierda de la parte inferior del aparato: mantenga presionado el collarín como se muestra y retire el tubo de agua. (Fig.11).



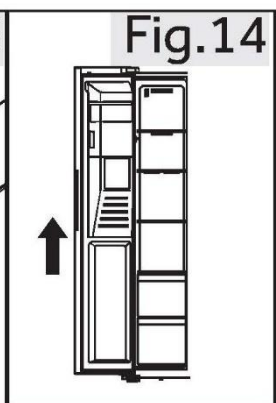
2. Afloje el tornillo de la tapa de la bisagra y retire la tapa (Fig.12). Al retirar la puerta del congelador, desconecte todos los cables excepto el cable de conexión a tierra.



3. Afloje los tornillos que sujetan la bisagra superior en su posición y, a continuación, retire la bisagra (Fig. 13).



4. Levante la puerta para extraerla (Fig.14). Al retirar la puerta del congelador, levántela lo suficiente para extraer la conexión de agua de la parte inferior del aparato.



5. Vuelva a montar la puerta invirtiendo los pasos de desmontaje. Asegúrese de que el cable de toma de tierra quede fijado por el tornillo.

6. Vuelva a colocar la conexión de agua.


## **NOTA: Puerta del frigorífico**

Las imágenes muestran la retirada de la puerta del compartimento congelador. Para la puerta del frigorífico, utilice las piezas correspondientes en el otro lado.



## Datos técnicos

Ficha del producto conforme al Reglamento UE n.º 2019/2016

Marca	Haier
Nombre del modelo / identificador	HSW59F18DIMM HSW79F18DIPT
Categoría del modelo	Frigorífico-congelador
Clase de eficiencia energética	D
Consumo anual de energía (kWh/año) <sup>(1)</sup>	267
Volumen total (L)	601
Volumen del frigorífico (L)	391
Volumen congelador(L)	206
Contenedor de almacenamiento de hielo de volumen (2 estrellas) (L)	4
Estrellas	
Temperatura de otros compartimentos > 14 °C	No aplicable
Sistema Frost-free	Sí
Capacidad de congelación (kg/24 h)	10
Clasificación climática <sup>(2)</sup>	SN-N-ST
Clase de emisión de ruido y emisiones de ruido acústico en el aire (db (A) re 1pW)	C(36)
Tiempo de aumento de la temperatura (h)	5
Capacidad de fabricación de hielo	0,8 kg / 24 h
Tipo de electrodoméstico	Independiente



Explicaciones:

- Sí

- (1) Basado en los resultados de la prueba de conformidad normativa durante 24 horas. El consumo real depende del uso y de la ubicación del electrodoméstico.
- (2) Calificación climática SN: Este electrodoméstico está diseñado para ser utilizado a una temperatura ambiente comprendida entre + 10 °C y +32 °C  
 Calificación climática N: Este electrodoméstico está diseñado para ser utilizado a una temperatura ambiente comprendida entre + 16 °C y +32 °C  
 Calificación climática ST: Este electrodoméstico está diseñado para ser utilizado a una temperatura ambiente comprendida entre +16 °C y +38 °C

### Datos técnicos adicionales

Voltaje / Frecuencia	220-240V~/50Hz
Corriente de entrada (A)	1,8
Potencia de entrada de descongelación (W)	220
Fusible principal (A)	15
Refrigerante	R600a
Tamaño (Al/An/Pr en mm)	1775/905/726



Recomendamos nuestro Servicio de atención al cliente Haier y el uso de repuestos originales. Si tiene algún problema con su electrodoméstico, compruebe primero la sección SOLUCIÓN DE PROBLEMAS.

Si no encuentra una solución allí, póngase en contacto con

- ▶ su distribuidor local o
- ▶ nuestro Centro europeo de atención al cliente (ver números de teléfono listados abajo) o
- ▶ el área de servicio y asistencia en [www.haier.com](http://www.haier.com), donde puede activar la
- ▶ solicitud de servicio y encontrar las Preguntas frecuentes.

Para ponerse en contacto con nuestro Servicio, asegúrese de tener los siguientes datos disponibles.

Puede encontrar la información en la placa de datos.

Modelo \_\_\_\_\_

N.º de serie \_\_\_\_\_

Compruebe también la tarjeta de garantía suministrada con el producto en caso de garantía.

Centro europeo de atención al cliente		
País*	Número de teléfono	Costes
Haier Italy (IT)	199 100912	
Haier Spain (ES)	902 509 123	
Haier Germany (DE)	0180539 39 99	<ul style="list-style-type: none"><li>• 14 ct/min teléfono fijo</li><li>• máx. 42 ct/min móvil</li></ul>
Haier Austria (AT)	0820 001 205	<ul style="list-style-type: none"><li>• 14,53 ct/min teléfono fijo</li><li>• máx. 20 ct/min el resto</li></ul>
Haier United Kingdom (UK)	0333 003 8122	
Haier France (FR)	0980 406 409	



## Atención al cliente

\* Para otros países, consulte [www.haier.com](http://www.haier.com)

Haier Europe Trading S.r.l

Sucursal Reino Unido

Westgate House, Westgate, Ealing

Londres, W5 1YY

\*Duración de la garantía del electrodoméstico de refrigeración:

La garantía mínima es de: 2 años para los países de la UE, 3 años para Turquía, 1 año para el Reino Unido, 1 año para Rusia, 3 años para Suecia, 2 años para Serbia, 5 años para Noruega, 1 año para Marruecos, 6 meses para Argelia, Túnez sin garantía legal, al no requerirse.

\*El período de piezas de repuesto para la reparación del aparato:

Los termostatos, los sensores de temperatura, las placas de circuito impresas y las fuentes de luz están disponibles durante un período mínimo de 7 años después de la comercialización de la última unidad del modelo.

Las asas, bisagras, bandejas y cestas lo están durante un período mínimo de 7 años, y las juntas durante un período mínimo de 10 años después de la comercialización de la última unidad del modelo.

\*Para más información sobre el producto, consulte <https://eprel.ec.europa.eu> o escanee el código QR en la etiqueta energética suministrada con el electrodoméstico.





## Sommaire

---

Informations sur la sécurité .....	138
Utilisation prévue .....	143
Description du produit .....	144
Panneau de commande .....	145
Utilisation .....	146
Matériel .....	159
Entretien et nettoyage .....	161
Dépannage .....	166
Installation .....	170
Données techniques .....	175
Service clientèle .....	177





Merci

## Merci d'avoir acheté un produit Haier.

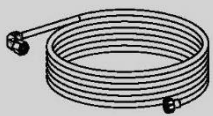
Veuillez lire attentivement ces instructions avant d'utiliser cet appareil. Les instructions contiennent des informations importantes qui vous aideront à tirer le meilleur parti de l'appareil et à assurer l'installation, l'utilisation et l'entretien sûrs et appropriés de celui-ci.

Conservez ce manuel dans un endroit facilement accessible afin que vous puissiez toujours vous y référer pour une utilisation sûre et appropriée de l'appareil.

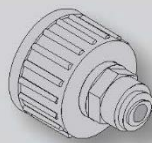
Si vous vendez l'appareil, si vous le donnez ou si vous le laissez lorsque vous déménagez, assurez-vous que vous transmettez également ce manuel pour que le nouveau propriétaire puisse se familiariser avec l'appareil et les consignes de sécurité.

## Accessoires

Vérifiez les accessoires et la littérature conformément à cette liste :



\*Tuyau d'eau



\*Connecteur d'eau



Étiquette  
énergétique



Carte de garantie



Guide rapide



**AVERTISSEMENT : informations importantes sur la sécurité**



**REMARQUE : informations générales et conseils**



**Informations environnementales**

**Mise au rebut**



Contribuez à protéger l'environnement et la santé humaine. Jetez l'emballage dans les bacs correspondants pour le recycler. Participez au recyclage des déchets d'appareils électriques et électroniques. Ne jetez pas les appareils marqués de ce symbole avec les déchets ménagers. Ramenez le produit à votre déchetterie locale ou contactez votre bureau municipal.



**AVERTISSEMENT !**

Risque de blessure ou de suffocation !

Les frigorigènes et les gaz doivent être éliminés par un professionnel. Assurez-vous que le tube du circuit réfrigérant n'est pas endommagé avant d'être correctement éliminé. Débranchez l'appareil du secteur. Coupez le câble d'alimentation et jetez-le. Retirez les clayettes et les tiroirs ainsi que le verrou et les joints de la porte, afin d'éviter que les enfants et les animaux domestiques ne se retrouvent enfermés dans l'appareil.



## Avant d'allumer l'appareil pour la première fois, lisez les conseils de sécurité suivants :



### AVERTISSEMENT !

#### Avant la première utilisation

- ▶ Assurez-vous qu'il n'a pas été endommagé pendant le transport.
- ▶ Retirez tous les emballages et gardez-les hors de portée des enfants.
- ▶ Attendez au moins deux heures avant d'installer l'appareil afin de vous assurer que le circuit réfrigérant fonctionne parfaitement.
- ▶ Manipulez toujours l'appareil avec au moins deux personnes parce qu'il est lourd.

#### Installation

- ▶ L'appareil doit être placé dans un endroit bien ventilé. Garantissez un espace d'au moins 10 cm au-dessus et autour de l'appareil.
- ▶ Ne placez jamais l'appareil dans un endroit humide ou un endroit où il pourrait être éclaboussé d'eau. Nettoyez et séchez les éclaboussures d'eau et les taches avec un chiffon doux et propre.
- ▶ N'installez pas l'appareil en plein soleil ou à proximité de sources de chaleur (par ex. cuisinières, chauffages).
- ▶ Installez et mettez à niveau l'appareil dans une zone adaptée à sa taille et à son utilisation.
- ▶ Maintenez les ouvertures de ventilation situées dans l'appareil ou dans la structure encastrée libres de toute obstruction.
- ▶ Assurez-vous que les informations électriques figurant sur la plaque signalétique sont conformes à l'alimentation électrique. Si ce n'est pas le cas, contactez un électricien.
- ▶ L'appareil est alimenté par une alimentation de 220-240 VCA/50 Hz. Les variations anormales de tension peuvent provoquer l'arrêt de l'appareil ou endommager le régulateur de température ou le compresseur, ou il peut y avoir un bruit anormal lors du fonctionnement. Dans ce cas, un régulateur automatique doit être monté.
- ▶ N'utilisez pas d'adaptateurs multiprises ni de rallonges.
- ▶ Ne placez pas de systèmes multiprises portatifs ou d'alimentations portatives à l'arrière de l'appareil.
- ▶ Assurez-vous que le câble d'alimentation n'est pas coincé par le réfrigérateur. Ne marchez pas sur le câble d'alimentation.



## AVERTISSEMENT !

- ▶ Utilisez une prise de terre séparée pour l'alimentation électrique qui soit facile d'accès. L'appareil doit être mis à la terre.  
Uniquement pour le Royaume-Uni : Le câble d'alimentation de l'appareil est équipé d'une fiche 3 pôles (de mise à la terre) qui s'adapte à une prise standard 3 pôles (de mise à la terre). Ne coupez jamais ou ne démontez jamais la troisième broche (mise à la terre). Une fois l'appareil installé, la fiche doit être accessible.

- ▶ N'endommagez pas le circuit réfrigérant.

### Utilisation quotidienne

- ▶ Cet appareil peut être utilisé par des enfants à partir de 8 ans et par des personnes ayant des capacités physiques, sensorielles ou mentales réduites ou un manque d'expérience et de connaissances, s'ils sont sous surveillance ou si on leur a appris à utiliser l'appareil en toute sécurité et s'ils comprennent les risques courus.
- ▶ Les enfants âgés de 3 à 8 ans sont autorisés à remplir et vider les appareils de réfrigération, mais ne sont pas autorisés à les nettoyer ni à les installer.
- ▶ Gardez les enfants âgés de moins de 3 ans à l'écart de l'appareil à moins qu'ils ne soient constamment surveillés.
- ▶ Les enfants ne doivent pas jouer avec l'appareil.
- ▶ Si du gaz réfrigérant ou tout autre gaz inflammable fuit à proximité de l'appareil, fermez la vanne du gaz qui fuit, ouvrez les portes et les fenêtres et ne débranchez pas le câble d'alimentation du réfrigérateur ou de tout autre appareil.
- ▶ Notez que l'appareil est conçu pour fonctionner dans une plage de température ambiante spécifique comprise entre 10 °C et 38 °C. L'appareil peut ne pas fonctionner correctement s'il est laissé pendant une longue période à une température inférieure ou supérieure à la plage indiquée.
- ▶ Ne placez pas d'objets instables (objets lourds, récipients remplis d'eau) sur le dessus du réfrigérateur, pour éviter les blessures corporelles causées par une chute ou une électrocution causée par le contact avec de l'eau.
- ▶ Ne tirez pas sur les balconnets. La porte peut être tirée en biais, le porte-bouteilles peut être retiré ou l'appareil risque de basculer.
- ▶ Ouvrez et fermez les portes uniquement avec les poignées. L'écart entre les portes et entre les portes et le compartiment est très étroit. Ne mettez pas vos mains dans ces zones pour éviter de vous pincer les doigts. Ouvrez ou fermez les portes du réfrigérateur uniquement lorsqu'il n'y a pas d'enfants dans le rayon de mouvement de la porte.



## AVERTISSEMENT !

- ▶ Ne conservez pas et n'utilisez pas de matières corrosives, explosives ou inflammables dans l'appareil ou à proximité.
- ▶ Ne conservez pas de médicaments, de bactéries ou d'agents chimiques dans l'appareil. Cet appareil est un appareil électroménager. Il n'est pas recommandé pour stocker des produits qui nécessitent des températures strictes.
- ▶ Ne conservez jamais des liquides dans des bouteilles ou des canettes (en dehors des spiritueux avec un degré d'alcool très élevé), en particulier les boissons gazeuses, dans le congélateur car ceux-ci pourraient exploser durant la congélation.
- ▶ Vérifiez l'état des aliments si l'intérieur du congélateur s'est réchauffé.
- ▶ Ne réglez pas une température inutilement basse dans le compartiment du réfrigérateur. Des températures inférieures peuvent se produire à des réglages élevés. Attention : les bouteilles peuvent éclater
- ▶ Ne touchez pas les produits surgelés avec les mains mouillées (portez des gants). Ne mangez surtout pas les sucettes glacées juste après les avoir sorties du compartiment congélateur. Vous risquez de vous blesser ou de vous brûler à cause du froid. Premiers secours : mettez immédiatement sous l'eau froide. Ne retirez pas !
- ▶ Ne touchez pas la surface intérieure du compartiment congélateur lorsqu'il est en fonctionnement, en particulier avec les mains mouillées, car vos mains peuvent geler sur la surface.
- ▶ Débranchez l'appareil en cas de coupure de courant ou avant de le nettoyer. Attendez au moins 7 minutes avant de redémarrer l'appareil, car des démarrages trop fréquents risqueraient d'endommager le compresseur.
- ▶ N'utilisez pas des appareils électriques à l'intérieur des compartiments de conservation des aliments de l'appareil, sauf s'ils correspondent aux modèles recommandés par le fabricant. Entretien/nettoyage
- ▶ Veillez à superviser les enfants s'ils effectuent le nettoyage et l'entretien.
- ▶ Débranchez l'appareil du secteur avant d'effectuer tout entretien courant. Attendez au moins 5 minutes avant de redémarrer l'appareil, car des démarrages trop fréquents risqueraient d'endommager le compresseur.



## AVERTISSEMENT !

- ▶ Tenez la fiche, pas le câble, lorsque vous débranchez l'appareil.
- ▶ Ne nettoyez pas l'appareil à l'aide de brosses dures, de brosses métalliques, de détergents en poudre, d'essence, d'acétate d'amyle, d'acétone et de solutions organiques similaires, d'acides ou de solutions alcalines. Nettoyez-le avec un détergent spécial pour réfrigérateur afin d'éviter de l'endommager.
- ▶ Ne raclez pas le givre et la glace avec des objets tranchants. N'utilisez pas de pulvérisateurs ni de réchauffeurs électriques comme des nettoyeurs à vapeur, des sèche-cheveux ou d'autres sources de chaleur pour éviter d'endommager les pièces en plastique.
- ▶ N'utilisez pas de dispositifs mécaniques ou d'autres moyens pour accélérer le processus de dégivrage, hormis ceux recommandés par le fabricant.
- ▶ Si le cordon d'alimentation est endommagé, faites-le remplacer par le fabricant, le service clientèle ou un électricien qualifié pour éviter tout risque d'accident.
- ▶ N'essayez pas de réparer, de démonter ou de modifier l'appareil vous-même. Pour toute réparation, veuillez contacter notre service clientèle.
- ▶ Éliminez la poussière à l'arrière de l'appareil au moins une fois par an pour éviter tout risque d'incendie, ainsi que l'augmentation de la consommation d'énergie.
- ▶ Ne pulvérisez pas et ne rincez pas l'appareil pendant le nettoyage.
- ▶ N'utilisez pas de jet d'eau ou de vapeur pour nettoyer l'appareil.
- ▶ Ne nettoyez pas les clayettes froides en verre à l'eau chaude. Un changement soudain de température peut casser le verre.

## Informations sur les gaz réfrigérants



### AVERTISSEMENT !

L'appareil contient de l'ISOBUTANE, un réfrigérant inflammable (R600a). Assurez-vous que le circuit du réfrigérant n'est pas endommagé pendant le transport ou l'installation. Les fuites de frigorigène peuvent provoquer des blessures oculaires ou s'enflammer. Si un dommage s'est produit, gardez les sources de feu ouvert à l'écart, aérez complètement la pièce, ne branchez pas ou ne débranchez pas les cordons d'alimentation de l'appareil ou de tout autre appareil. Informez le service clientèle. En cas de contact du réfrigérant avec les yeux, rincez-les immédiatement à l'eau courante et appelez immédiatement un oculiste.



## Utilisation prévue

Cet appareil est destiné à réfrigérer et à congeler les aliments. Il a été conçu exclusivement pour une utilisation dans les habitations et des applications similaires telles que les espaces de cuisine dans les magasins, bureaux et autres environnements de travail ; les habitations rurales et par les clients dans les hôtels, motels et autres environnements de type résidentiel, ainsi que dans les chambres d'hôtes ou B&B et activités de restauration. Il n'est pas destiné à un usage commercial ou industriel.

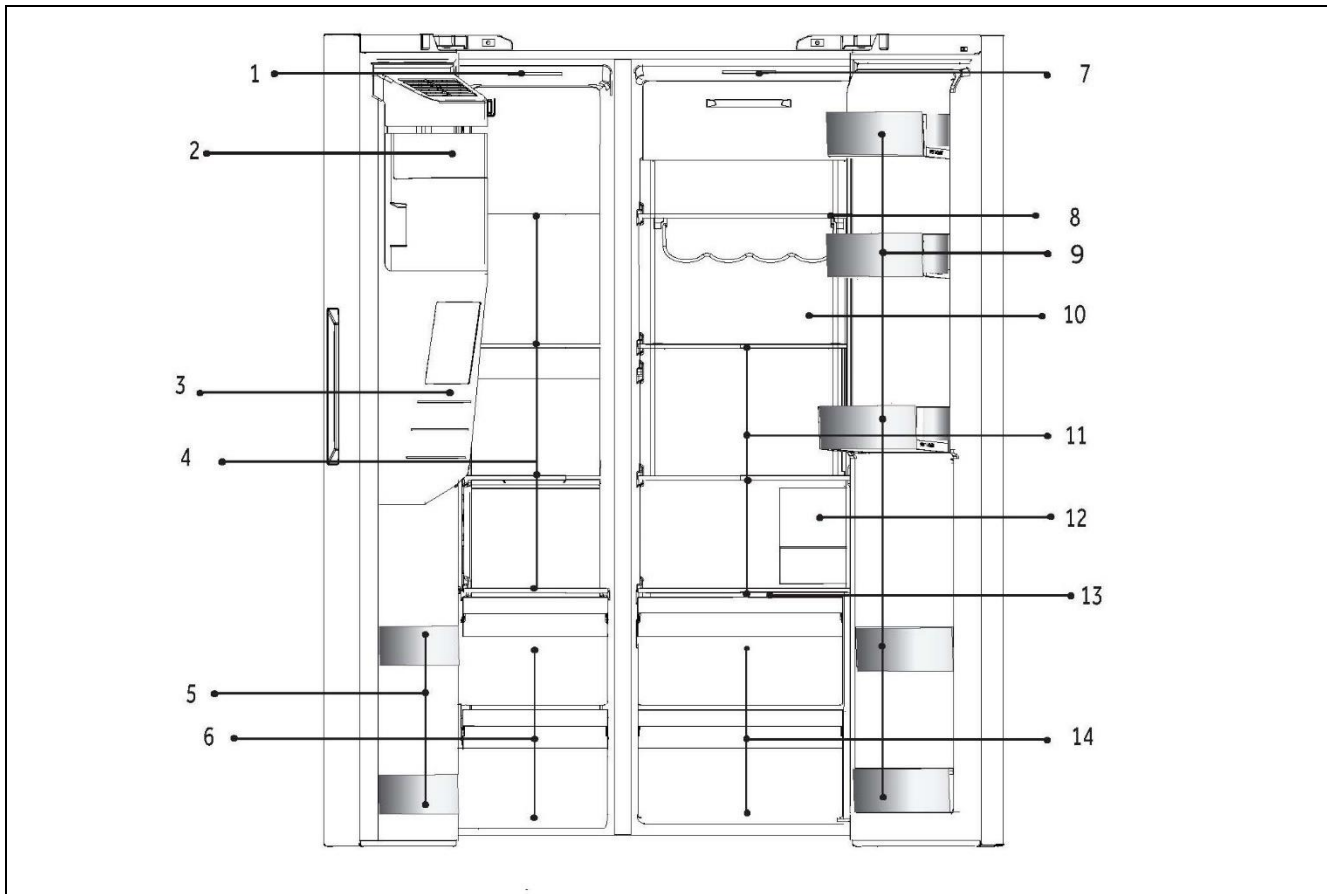
Les changements ou modifications apportés à l'appareil ne sont pas autorisés. Une utilisation non prévue peut entraîner des risques et la perte de garantie.

## Normes et directives et

Ce produit satisfait aux exigences de toutes les directives CE applicables avec les normes harmonisées correspondantes et les normes du Royaume-Uni, qui prévoient le marquage CE et UK.

## **i** Remarque

En raison des changements techniques et de différents modèles, certaines des illustrations de ce manuel peuvent différer de votre modèle.



A : Compartiment congélateur

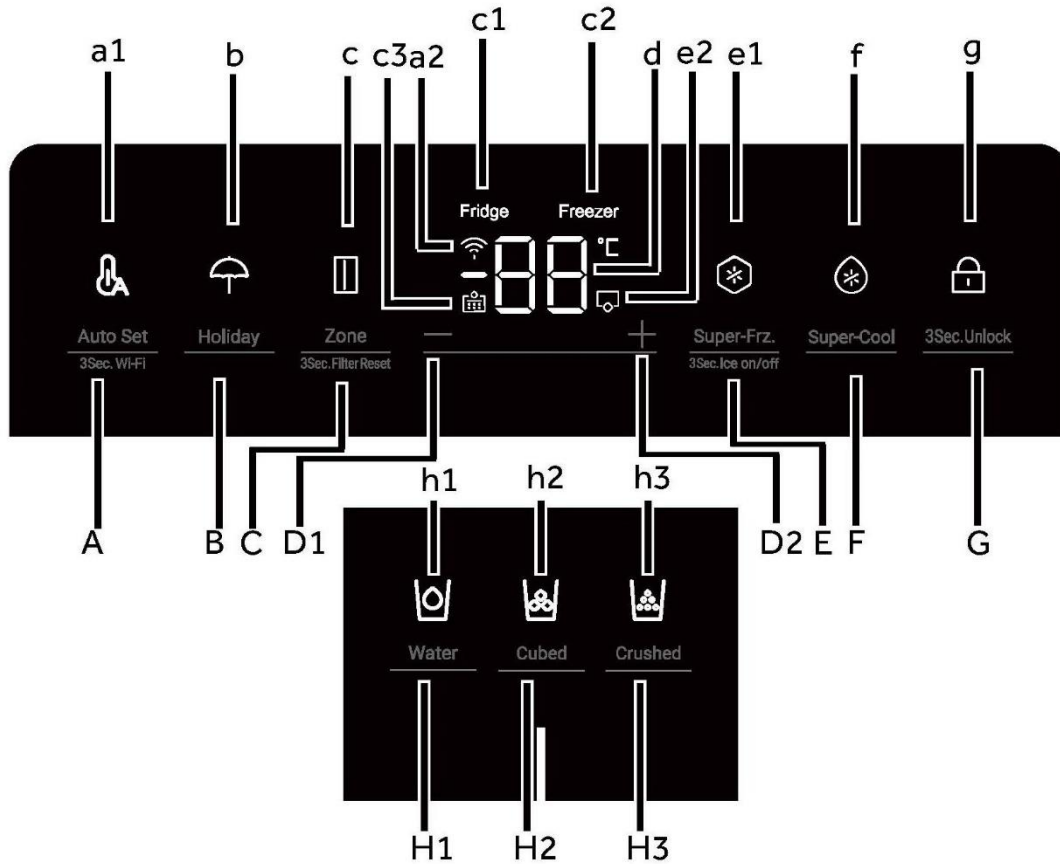
- 1 Lampe de plafond
- 2 Machine à glaçons avec bac à glaçons
- 3 Distributeur d'eau et de glaçons
- 4 Clayettes en verre
- 5 Porte-bouteille
- 6 Tiroirs

B : Compartiment réfrigérateur

- 7 Lampe de plafond
- 8 Porte-vin
- 9 Porte-bouteille
- 10 Lampe arrière (HSW79F18DIPT)
- 11 Clayettes en verre
- 12 Filtre à eau
- 13 Couvercle de zone humide
- 14 Tiroirs



## Panneau de commande



Touches :

- A Fonction Auto Set /3Sec.Wi-Fi
- B Fonction Holiday
- C Sélection de la zone/3Sec.Filter Reset
- D1 Touche de réglage de la température « - »
- D2 Touche de réglage de la température « + »
- E Fonction Super-Freeze/3Sec.Ice on/off
- F Fonction Super-Cool
- G Sélecteur de verrouillage du panneau
- H1 Sélecteur de fonction d'admission d'eau
- H2 Sélecteur de fonction Cubed ice
- H3 Sélecteur de fonction Crushed ice

Indicateurs :

- a1 Mode Auto Set
- a2 Fonction Wi-Fi
- b Mode Holiday
- c Indicateur de zone
- c1 Indicateur du réfrigérateur
- c2 Indicateur du congélateur
- c3 Fonction de réinitialisation du filtre
- d Affichage de la température
- e1 Mode Super-Freeze
- e2 Mode Machine à glaçons
- f Mode Super-Cool
- g Verrouillage du panneau
- h1 Fonction d'admission d'eau
- h2 Fonction Cubed ice
- h3 Fonction Crushed ice

### Avant la première utilisation

- ▶ Retirez tous les emballages, gardez-les hors de la portée des enfants, puis jetez-les d'une manière respectueuse de l'environnement.
- ▶ Nettoyez l'intérieur et l'extérieur de l'appareil avec de l'eau et un détergent doux avant d'y mettre des aliments.
- ▶ Une fois l'appareil à plat et nettoyé, attendez au moins 2 à 5 heures avant de le brancher à l'alimentation électrique. Voir la section INSTALLATION.
- ▶ Pré-réfrigérez les compartiments à des réglages élevés avant de les remplir d'aliments. La fonction Power-Freeze permet de refroidir rapidement les compartiments.
- ▶ La température du réfrigérateur et celle du congélateur sont réglées automatiquement sur 5 °C et -18 °C respectivement. Ce sont les paramètres recommandés. Si vous le souhaitez, vous pouvez modifier ces températures manuellement. Voir RÉGLAGE DE LA TEMPÉRATURE.

### Touches tactiles

Les touches du panneau de commande sont des touches tactiles qui réagissent dès que le doigt les touche légèrement.

### Allumer/éteindre l'appareil

L'appareil fonctionne dès qu'il est branché sur l'alimentation électrique.

Les températures affichées indiquent les températures de réglage dans le compartiment.

Le verrouillage du panneau est peut-être actif.



#### Remarque

Lorsque l'appareil est allumé après avoir été débranché de l'alimentation secteur, il peut falloir jusqu'à 12 heures pour que les températures correctes soient atteintes.

Videz l'appareil avant de l'éteindre. Pour éteindre l'appareil, tirez le cordon d'alimentation pour le sortir de la prise d'alimentation.

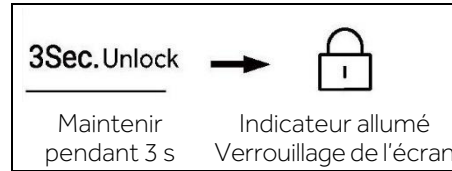


#### REMARQUE

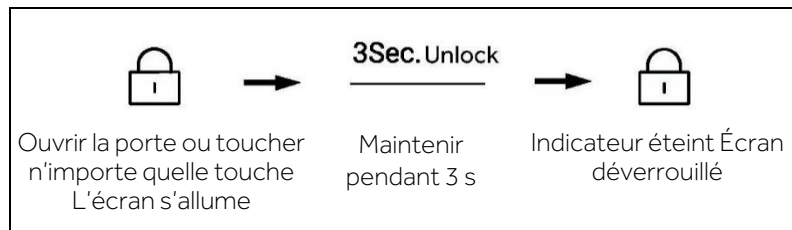
Lorsque le réfrigérateur est mis sous tension pour la première fois, l'indicateur s'allume. La température du réfrigérateur et celle du congélateur sont réglées automatiquement sur 5 °C et -18 °C respectivement.

## Verrouillage/Déverrouillage du panneau

1. Verrouillage automatique : lorsque la porte du réfrigérateur et la porte du congélateur sont fermées et qu'aucune touche n'est actionnée dans les 30 secondes, l'écran s'éteint et se verrouille automatiquement.



2. Verrouillage manuel : lorsque l'écran d'affichage est déverrouillé, appuyez sur la touche « G » (sélecteur de verrouillage du panneau) et maintenez-la enfoncée pendant 3 secondes, le signal sonore retentit une fois, l'indicateur « g » (verrouillage du panneau) s'allume et l'affichage est verrouillé.



## Régler la température

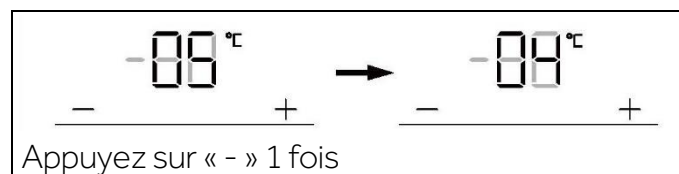
Les températures intérieures sont influencées par les facteurs suivants :

- ▶ Température ambiante
- ▶ Fréquence d'ouverture de la porte
- ▶ Quantité d'aliments stockés
- ▶ Installation de l'appareil

## Réglez la température du réfrigérateur

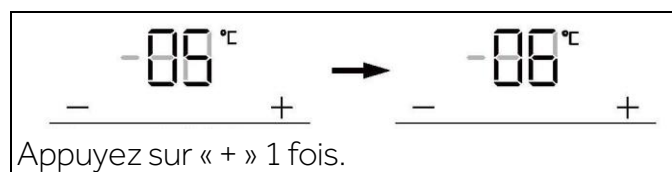
1. Lorsque l'écran d'affichage est déverrouillé, appuyez sur la touche « C » (sélecteur de zone). Le signal sonore retentit une fois, l'indicateur « c1 » (indicateur du réfrigérateur) clignote, puis vient le mode de réglage de la température du réfrigérateur.

2. Appuyez sur la touche « D1 » (touche de réglage de la température « - ») à chaque fois, le signal sonore retentit une fois, la température définie du réfrigérateur sera réduite de 1. La température du réfrigérateur s'affiche selon la séquence « 9 °C -> 8 °C -> 7 °C -> 6 °C -> 5 °C -> 4 °C -> 3 °C -> 2 °C -> 1 °C ».



### Réglage de la température du réfrigérateur

3. Appuyez sur la touche « D2 » (touche de réglage de la température « + ») à chaque fois, le signal sonore retentit une fois, la température définie du réfrigérateur sera augmentée de 1. La température du réfrigérateur s'affiche selon la séquence « 1 °C -> 2 °C -> 3 °C -> 4 °C -> 5 °C -> 6 °C -> 7 °C -> 8 °C -> 9 °C ».

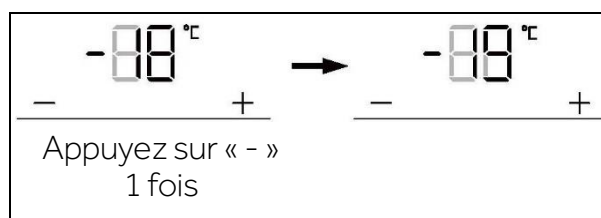


### **i** Remarque

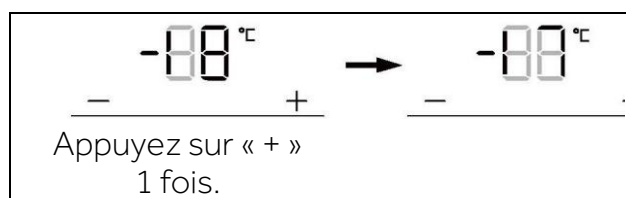
Après avoir réglé la température, s'il n'y a pas d'opération dans les 5 secondes, le système enregistrera automatiquement la température définie.

### Régler la température du congélateur

1. Lorsque l'écran d'affichage est déverrouillé, appuyez sur la touche « C » (sélecteur de zone). Le signal sonore retentit une fois, l'indicateur « c2 » (indicateur du congélateur) clignote, puis vient le mode de réglage de la température du congélateur.
2. Appuyez sur la touche « D1 » (touche de réglage de la température « - ») à chaque fois, le signal sonore retentit une fois, la température définie du congélateur sera réduite de 1. La température du congélateur s'affiche selon la séquence « -14 °C -> -15 °C -> -16 °C -> -17 °C -> -18 °C -> -19 °C -> -20 °C -> -21 °C -> -22 °C -> -23 °C -> -24 °C ».



3. Appuyez sur la touche « D2 » (touche de réglage de la température « + ») à chaque fois, le signal sonore retentit une fois, la température définie du congélateur sera augmentée de 1. La température du congélateur s'affiche selon la séquence « -24 °C -> -23 °C -> -22 °C -> -21 °C -> -20 °C -> -19 °C -> -18 °C -> -17 °C -> -16 °C -> -15 °C -> -14 °C ».

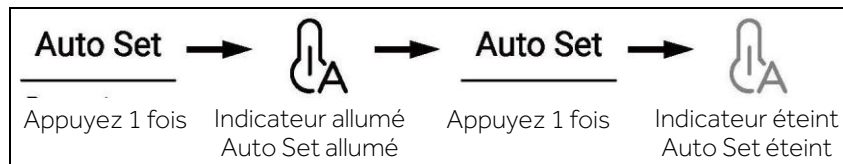


### **i** Remarque

Après avoir réglé la température, s'il n'y a pas d'opération dans les 5 secondes, le système enregistrera automatiquement la température définie.

## Mode Auto Set

1. Lorsque l'écran d'affichage est déverrouillé, appuyez sur la touche « A » (sélecteur de mode Auto Set), le signal sonore retentit une fois, l'indicateur « a1 » (mode Auto Set) s'allume, puis la fonction Auto Set est activée.
2. Lorsque l'indicateur « a1 » (mode Auto Set) s'allume, appuyez sur la touche « A » (sélecteur de mode Auto Set), le signal sonore retentit une fois, l'indicateur « a1 » (mode Auto Set) s'éteint, puis la fonction Auto Set est désactivée.



## Remarque

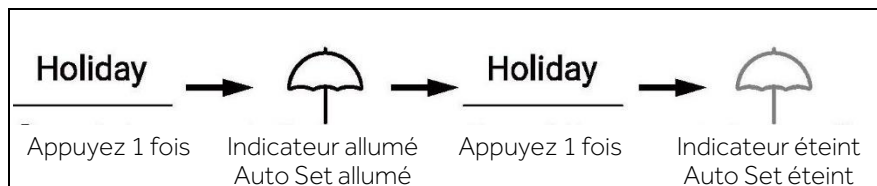
En mode Auto Set, la température du réfrigérateur ou du congélateur ne peut pas être réglée. Si vous appuyez sur la touche « D1 » (touche de réglage de la température « - ») ou sur la touche « D2 » (touche de réglage de la température « + ») pour régler la température du congélateur ou du réfrigérateur, l'indicateur « a1 » (indicateur Auto Set) clignote avec un son rapide pour indiquer que cette opération ne peut pas être effectuée.

En mode Auto Set, en raison de différentes méthodes de contrôle, si la fonction « Super-Cool », « Super-Freeze » ou « Holiday » est activée, l'indicateur « a1 » (mode Auto Set) s'éteint, puis la fonction Auto Set est automatiquement désactivée.

## Mode Holiday

Le mode Holiday est conçu pour ne pas utiliser le réfrigérateur pendant une période prolongée. Lorsque le mode Holiday est activé, le congélateur est sous contrôle normal et la température du réfrigérateur est automatiquement réglée sur 17 °C. La température réelle n'est pas supérieure à 17 °C, ce qui empêche les odeurs particulières causées par une température trop élevée et contribue à réduire la consommation d'énergie en même temps.

1. Lorsque l'écran d'affichage est déverrouillé, appuyez sur la touche « B » (sélecteur de mode Holiday), le signal sonore retentit une fois, l'indicateur « b » (mode Holiday) s'allume, puis la fonction Holiday est activée.
2. Lorsque l'indicateur « b » (mode Holiday) s'allume, appuyez sur la touche « B » (sélecteur de mode Holiday), le signal sonore retentit une fois, l'indicateur « b » (mode Holiday) s'éteint, puis la fonction Holiday est désactivée.



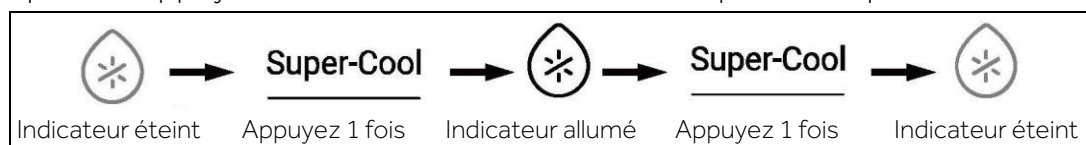
## Remarque

En mode Holiday, la température du réfrigérateur ne peut pas être réglée. Si vous appuyez sur la touche « D1 » (touche de réglage de la température « - ») ou sur la touche « D2 » (touche de réglage de la température « + ») pour régler la température du réfrigérateur, l'indicateur « b » (indicateur Holiday) clignote avec un son rapide pour indiquer que cette opération ne peut pas être effectuée.

Avant d'utiliser la fonction Holiday, veuillez vider le réfrigérateur pour éviter que des aliments y pourrissent. Lorsque la fonction Holiday est activée, la fonction « Auto Set » ou « Super-Cool » ne peut pas être activée en même temps.

### Fonction Super-Cool

1. Lorsque l'écran d'affichage est déverrouillé, appuyez sur la touche « F » (sélecteur Super-Cool), le signal sonore retentit une fois, l'indicateur « f » (fonction Super-Cool) s'allume, puis la fonction Super-Cool est activée.
2. Lorsque l'indicateur « f » (fonction Super-Cool) s'allume, appuyez sur la touche « F » (sélecteur Super-Cool), le signal sonore retentit une fois, l'indicateur « f » (fonction Super-Cool) s'éteint, puis la fonction Super-Cool est désactivée.
3. Une fois la fonction Super-Cool activée, le réfrigérateur arrêtera automatiquement la fonction lorsqu'il atteindra la condition définie. Si vous souhaitez quitter manuellement, vous pouvez appuyer sur la touche « F » (sélecteur Super-Cool) pour l'éteindre.



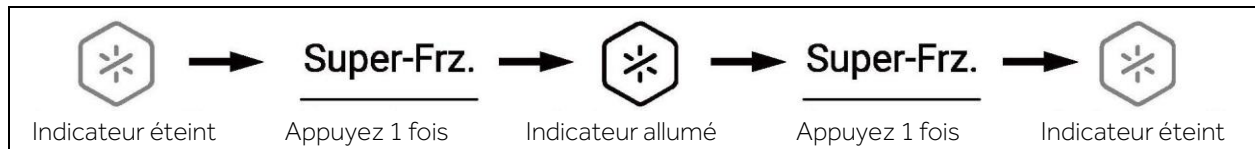
## Remarque

En mode Super-Cool, la température du réfrigérateur ne peut pas être réglée. Si vous appuyez sur la touche « D1 » (touche de réglage de la température « - ») ou sur la touche « D2 » (touche de réglage de la température « + ») pour régler la température du réfrigérateur, l'indicateur « f » (indicateur Super-Cool) clignote avec un son rapide pour indiquer que cette opération ne peut pas être effectuée.

En mode Super-Cool, la fonction Auto-set ne peut pas être activée en même temps que la fonction Holiday en raison des différents modes de contrôle. Lorsque vous choisissez une fonction qui entre en conflit avec une autre, la fonction d'origine est automatiquement désactivée.

## Fonction Super-Freeze (Super-Frz)

1. Lorsque l'écran est déverrouillé, appuyez sur la touche « E » (sélecteur Super-Frz.), le signal sonore retentit une fois, l'indicateur « e1 » (fonction Super-Freeze) s'allume, puis la fonction Super-Freeze est activée.
2. Lorsque l'indicateur « e1 » (fonction Super-Freeze) s'allume, appuyez sur la touche « E » (sélecteur Super-Frz.), le signal sonore retentit une fois, l'indicateur « e1 » (fonction Super-Freeze) s'éteint, puis la fonction Super-Freeze est désactivée.
3. Une fois la fonction Super-Freeze activée, le réfrigérateur arrêtera automatiquement la fonction lorsqu'il atteindra la condition définie. Si vous souhaitez quitter manuellement, vous pouvez appuyer sur la touche « E » (sélecteur Super-Frz.) pour l'éteindre.



## Remarque

En mode Super-Freeze, la température du congélateur ne peut pas être réglée. Si vous appuyez sur la touche « D1 » (touche de réglage de la température « - ») ou sur la touche « D2 » (touche de réglage de la température « + ») pour régler la température du congélateur, l'indicateur « e1 » (indicateur Super-Frz.) clignote avec un son rapide pour indiquer que cette opération ne peut pas être effectuée.

En mode Super-Freeze, la fonction Auto-set ne peut pas être activée en même temps en raison des différents modes de contrôle. Lorsque vous choisissez une fonction qui entre en conflit avec une autre, la fonction d'origine est automatiquement désactivée.

## Fonction du filtre

Lorsque le réfrigérateur fonctionne pendant six mois, l'indicateur de rappel « c3 » (fonction de réinitialisation du filtre) s'active pour rappeler aux utilisateurs de remplacer le filtre par un neuf. Lorsque le filtre est remplacé, maintenez la touche « C » (sélecteur de la fonction de réinitialisation du filtre) pendant 3 secondes pour annuler le rappel, le compteur se réinitialise avec l'anneau sonore.

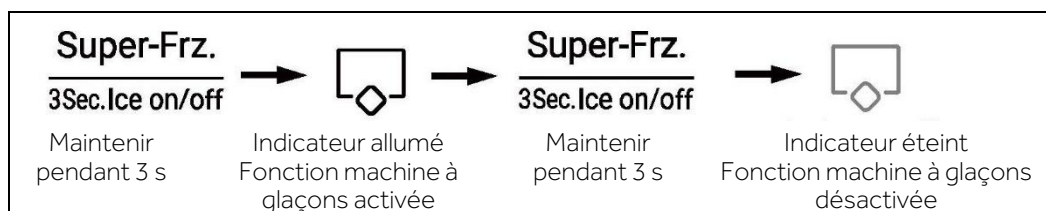


## Remarque

La durée de vie normale du filtre est de six mois. Il est recommandé de remplacer le filtre tous les six mois.

## Mode Machine à glaçons

1. En mode déverrouillé, appuyez sur la touche « E » (sélecteur de mode Machine à glaçons) et maintenez-la enfoncée pendant 3 secondes, le signal sonore retentit une fois, l'indicateur « e2 » (mode Machine à glaçons) s'allume, puis le mode Machine à glaçons est activé.
2. Lorsque l'indicateur « e2 » (mode Machine à glaçons) s'allume, appuyez sur la touche « E » (sélecteur de mode Machine à glaçons) et maintenez-la enfoncée pendant 3 secondes, le signal sonore retentit une fois, l'indicateur « e2 » (mode Machine à glaçons) s'éteint, puis le mode Machine à glaçons est désactivé.

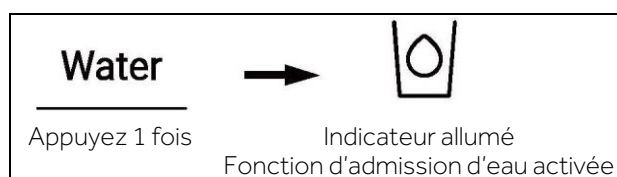


## Remarque

Lorsque l'application est mise sous tension, la machine à glaçons est désactivée par défaut. Si vous n'avez pas besoin de glaçons pendant une longue période, éteignez la fonction Machine à glaçons, videz le récipient et insérez le récipient nettoyé. La machine à glaçons ne peut être configurée qu'avec le fabricant ou achetée auprès de son agent de service.

## Fonction d'admission d'eau

Dans tous les modes (verrouillé ou déverrouillé), appuyez sur la touche « H1 » (sélecteur de fonction d'admission d'eau), le signal sonore retentit une fois, l'indicateur « h1 » (fonction d'admission d'eau) s'allume, puis la fonction d'admission d'eau est activée.



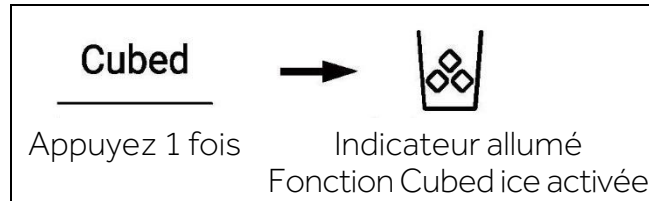
## Remarque

1. Lorsque l'indicateur « h1 » (fonction d'admission d'eau) s'allume, l'indicateur « h2 » (fonction Cubed Ice) et l'indicateur « h3 » (fonction Crushed Ice) s'éteignent. Après avoir appuyé sur la pédale du distributeur, de l'eau s'écoule par l'orifice d'admission d'eau.
2. Lorsque le temps d'arrivée d'eau atteint 150 s, le réfrigérateur émet un bip et conserve l'eau jusqu'à 180 s, l'eau est ensuite coupée et la vanne d'eau passe en mode de protection jusqu'à 200 s, avant qu'une entrée d'eau puisse à nouveau avoir lieu.
3. Lorsque le temps cumulatif d'admission d'eau atteint 5 min dans les 10 min, la vanne d'eau passe en mode de protection pendant 10 min, puis l'admission d'eau est rétablie.



## Fonction Cubed ice

Dans tous les modes (verrouillé ou déverrouillé), appuyez sur la touche « H2 » (sélecteur de la fonction Cubed ice), le signal sonore retentit une fois, l'indicateur « h2 » s'allume (fonction Cubed ice) et la fonction Cubed ice est activée.

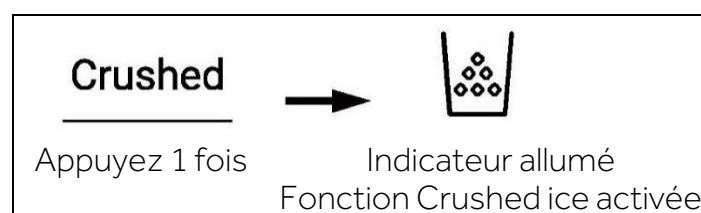


## Remarque

1. Lorsque l'indicateur « h2 » (fonction Cubed ice) s'allume, l'indicateur « h1 » (fonction d'admission d'eau) et l'indicateur « h3 » (fonction Crushed ice) s'éteignent. Lorsque le micro-interrupteur du distributeur est enfoncé, la glace pilée s'écoule de l'orifice d'admission.
2. Lorsque la machine à glaçons est raccordée pour la première fois à l'électricité, la fonction Cubed ice est désactivée par défaut.
3. Appuyez sur le micro-interrupteur du distributeur, la lumière de celui-ci s'allume avec le couvercle de celui-ci ouvert. Ensuite, le moteur du système de glace pilée commence à tourner dans le sens inverse des aiguilles d'une montre afin de pousser les glaçons. Desserrez le micro-interrupteur du distributeur, le moteur s'arrête, le couvercle du distributeur se ferme et la lumière s'éteint au bout de 5 secondes.
4. En mode Cubed ice, lorsque la durée d'utilisation de la fonction Cubed Ice est supérieure à 50 secondes, un signal sonore se déclenche pour signaler aux utilisateurs de l'arrêter. Lorsque la durée atteint 1 minute, l'arrêt de la fonction Cubed ice est forcé, et son utilisation ne reprendra qu'au prochain actionnement de l'interrupteur.
5. En mode Cubed ice, si la porte du réfrigérateur est ouverte, le moteur qui émet de la glace s'arrête, le couvercle du distributeur se ferme, la lumière du distributeur s'éteint et l'écoulement des glaçons s'arrête.
6. Il est interdit de prendre de la glace avec la porte du réfrigérateur ouverte.

## Fonction Crushed ice

Dans tous les modes (verrouillés ou déverrouillés), appuyer sur la touche « H3 » (sélecteur de fonction Crushed ice), le signal sonore retentit une fois, l'indicateur « h3 » (fonction Crushed ice) s'allume, puis la fonction Crushed ice est activée.



## Remarque

Lorsque l'indicateur « h3 » (fonction Crushed ice) s'allume, l'indicateur « h1 » (fonction d'admission d'eau) et l'indicateur « h2 » (fonction Cubed ice) s'éteignent. Lorsque le micro-interrupteur du distributeur est enfoncé, les glaçons s'écoulent de l'orifice d'admission.

Appuyez sur le micro-interrupteur du distributeur, la lumière de celui-ci s'allume avec le couvercle de celui-ci ouvert. Ensuite, le moteur du système de glace pilée commence à tourner dans le sens des aiguilles d'une montre afin de pousser les glaçons. Desserrez le micro-interrupteur du distributeur, le moteur s'arrête, le couvercle du distributeur se ferme et la lumière s'éteint au bout de 5 secondes.

En mode Crushed ice, lorsque la durée est supérieure à 50 secondes, un signal sonore se déclenche pour signaler aux utilisateurs de l'arrêter. Lorsque la durée atteint 1 minute, l'arrêt de la fonction Crushed ice est forcé, et son utilisation ne reprendra qu'au prochain actionnement de l'interrupteur.

En mode Crushed ice, si la porte du réfrigérateur est ouverte, le moteur qui émet de la glace s'arrête, le couvercle du distributeur se ferme, la lumière du distributeur s'éteint et l'écoulement de la glace pilée s'arrête.

Il est interdit de prendre de la glace pilée avec la porte du réfrigérateur ouverte.

### Alarme d'ouverture de porte

Si une porte est maintenue ouverte trop longtemps ou si la porte n'est pas bien fermée, le réfrigérateur émettra un signal sonore à l'intervalle défini pour vous rappeler de fermer la porte.

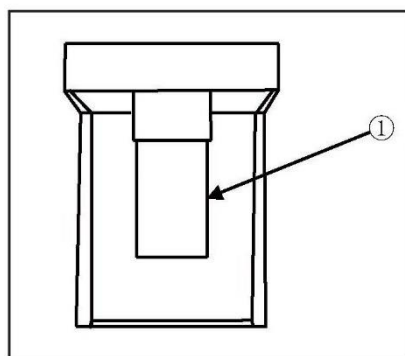
### Mémoire de coupure de courant

L'état de fonctionnement instantané est mémorisé lors d'une coupure de courant. Une fois le courant rétabli, les fonctions activées avant la coupure de courant seront à nouveau fonctionnelles.

### Utilisation du distributeur de glaçons et d'eau

Appuyez plusieurs fois sur la touche de sélection du distributeur jusqu'à ce que la lumière située au-dessus de l'indicateur souhaité s'allume.

Appuyez sur la pédale du distributeur (1) avec un verre ou un autre récipient pour prendre de la glace, de l'eau ou de la glace pilée.

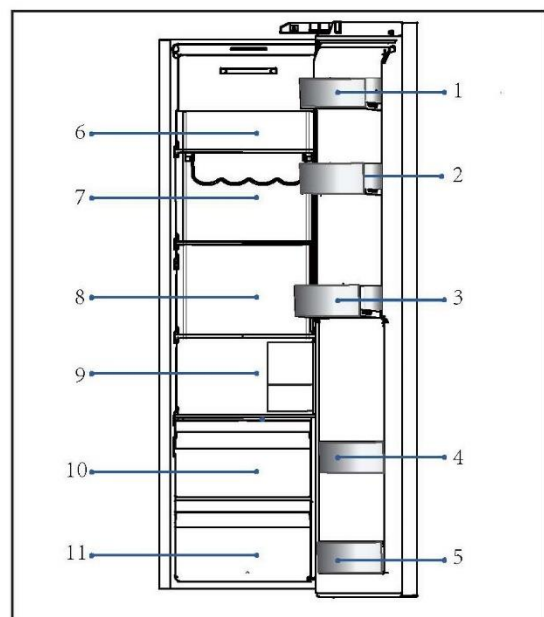


## CONSEILS POUR CONSERVER DES ALIMENTS FRAIS

### Stockage dans le compartiment réfrigérateur

1. Conservez la température de votre réfrigérateur en dessous de 5 °C.
2. Les aliments chauds doivent avoir refroidi à température ambiante avant d'être placés dans l'appareil.
3. Les aliments conservés au réfrigérateur doivent être lavés et séchés avant de les entreposer.
4. Les aliments à conserver doivent être correctement emballés hermétiquement pour éviter les altérations d'odeurs ou de goût.
5. Ne conservez pas des quantités excessives d'aliments. Laissez de la place entre les aliments pour permettre à l'air froid de circuler autour d'eux, pour un refroidissement meilleur et plus homogène.
6. Les aliments consommés quotidiennement doivent être conservés à l'avant de la clayette.
7. Laissez un espace entre les aliments et les parois intérieures, pour permettre la circulation de l'air. En particulier, ne placez pas d'aliments contre la paroi arrière : les aliments peuvent geler contre la paroi arrière. Évitez tout contact direct des aliments (en particulier les aliments gras ou acides) avec le revêtement intérieur, car l'huile/l'acide peut éroder le revêtement intérieur. Nettoyez les saletés grasses/acides chaque fois que vous en découvrez.
8. Décongelez les aliments surgelés dans le compartiment de rangement du réfrigérateur. De cette façon, vous pouvez utiliser les aliments surgelés pour diminuer la température du compartiment et économiser de l'énergie.
9. La maturation des fruits et légumes comme les courgettes, les melons, la papaye, la banane, l'ananas, etc. peut être accélérée au réfrigérateur. Par conséquent, il est déconseillé de les conserver au réfrigérateur. Cependant, la maturation des fruits très verts peut être favorisée pendant une certaine période. Les oignons, l'ail, le gingembre et les autres légumes-racines doivent également être conservés à température ambiante.
10. Les odeurs désagréables à l'intérieur du réfrigérateur sont un signe que quelque chose a été renversé et qu'il faut nettoyer. Voir ENTRETIEN ET NETTOYAGE.
11. Différents aliments doivent être placés dans différents endroits en fonction de leurs propriétés :

- 1-Beurre, fromage, etc.
- 2-Oufs, aliments en conserve, épices, etc.
- 3/4/5-Boissons et aliments en bouteille.
- 6-Aliments marinés, aliments en conserve, etc.
- 7/8-Produits à base de viande, poisson, aliments crus
- 9-Boîtes de conserve, produits laitiers, etc.
- 10-Fruits, légumes, laitue, etc.
- 11-Viande cuite, saucisses, etc.

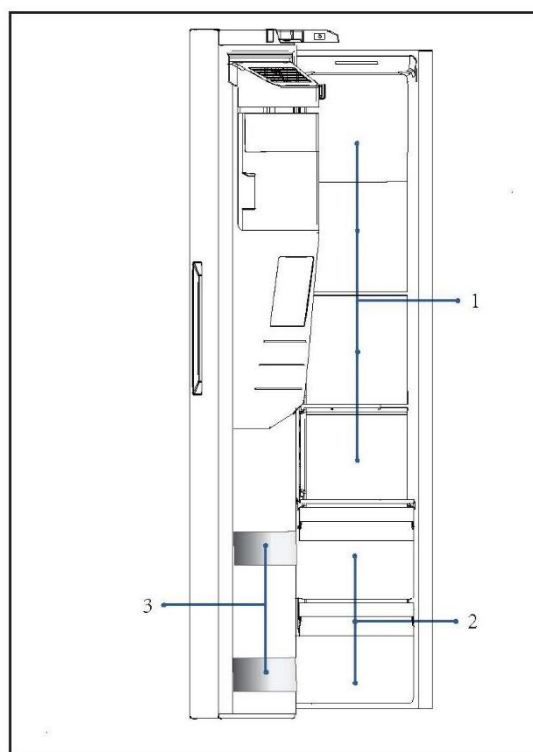


## CONSEILS POUR CONSERVER DES ALIMENTS FRAIS

### Conservation dans le compartiment congélateur

1. Maintenez la température du congélateur à  $-18^{\circ}\text{C}$ .
2. 12 heures avant de congeler d'autres aliments, activez la fonction Super-Freeze ; pour de petites quantités d'aliments de 4 à 6 heures suffisent.
3. Les aliments chauds doivent avoir refroidi à température ambiante avant d'être placés dans le compartiment congélateur.
4. Les aliments coupés en petites portions congèleront plus rapidement et seront plus faciles à décongeler et à cuire. Le poids recommandé pour chaque portion est inférieur à 2,5 kg.
5. Il vaut mieux emballer les aliments avant de les mettre dans le congélateur. L'extérieur de l'emballage doit être sec pour éviter que les sacs ne collent les uns aux autres. Les matériaux d'emballage doivent être exempts d'odeurs, étanches à l'air et non toxiques.
6. Afin d'éviter l'expiration des périodes de conservation, veuillez noter la date de congélation, la limite de temps et le nom des aliments présents sur l'emballage en fonction des périodes de conservation des différents aliments.
7. **AVERTISSEMENT !** : les acides, les alcalins et le sel, etc., pourraient éroder la surface interne du congélateur. Ne placez pas les aliments contenant ces substances (par ex. poissons de mer) directement sur la surface interne. L'eau salée dans le congélateur doit être nettoyée immédiatement.
8. Ne dépassez pas les temps de conservation des aliments recommandés par les fabricants. Ne sortez que la quantité requise d'aliments du congélateur.
9. Différents aliments doivent être placés dans différents endroits en fonction de leurs propriétés :

- 1- Les produits moins lourds, tels que les glaces, les légumes, le pain, etc.
- 2- Portions d'aliments plus grandes/plus lourdes, telles que des morceaux de viande à rôtir, pizza, etc.
- 3- pizza, etc.



## REMARQUE : CONSERVATION

1. Maintenez une distance de plus de 10 mm entre les aliments et le capteur afin d'assurer l'effet de refroidissement.
2. Veuillez laisser le tiroir le plus bas dans l'appareil lorsqu'il fonctionne afin de garantir l'effet de refroidissement.
3. Les aliments contenant de la glace (comme la crème glacée, etc.) doivent être stockés dans le compartiment congélateur plutôt que dans les porte-bouteilles. Les changements de température auxquels les porte-bouteilles sont exposés, causés par l'ouverture et la fermeture de la porte, peuvent décongeler les aliments.
4. Consommez rapidement les aliments décongelés. Les aliments décongelés ne peuvent pas être recongelés à moins qu'ils ne soient d'abord cuits, sans quoi ils risqueraient de devenir impropres à la consommation.
5. Ne mettez pas de quantités excessives d'aliments frais dans le compartiment congélateur. Reportez-vous à la capacité de congélation du congélateur - Voir les DONNÉES TECHNIQUES ou les données sur la plaque signalétique.
6. Les aliments peuvent être conservés au congélateur à une température d'au moins -18 °C pendant 2 à 12 mois, en fonction de leurs propriétés (par ex. viande : 3-12 mois, légumes : 6-12 mois)
7. Lorsque vous congélez des aliments frais, évitez de les mettre en contact avec des aliments déjà congelés. Risque de décongélation !
8. Décongelez les aliments congelés au réfrigérateur. De cette façon, vous pouvez utiliser les aliments surgelés pour diminuer la température du compartiment et économiser de l'énergie.

### **Lorsque vous conservez des aliments surgelés achetés dans le commerce, veuillez suivre ces directives :**

1. Suivez toujours les directives du fabricant pour la durée de conservation des aliments. Ne dépassez pas ces directives !
2. Essayez de garder le temps entre l'achat et le stockage le plus court possible pour préserver la qualité des aliments.
3. Achetez des aliments surgelés, qui ont été conservés à une température de -18 °C ou moins.
4. Évitez d'acheter des aliments qui ont de la glace ou du givre sur l'emballage - cela indique que les produits ont pu être partiellement décongelés et recongelés à un certain moment - les hausses de température affectent la qualité des aliments.

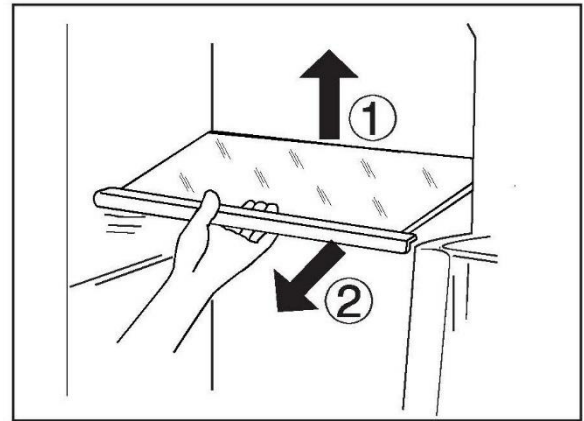


## Conseils d'économie d'énergie

- ▶ Assurez-vous que l'appareil est bien ventilé (voir INSTALLATION).
- ▶ N'installez pas l'appareil en plein soleil ou à proximité de sources de chaleur (par ex. cuisinières, chauffages).
- ▶ Évitez une température inutilement basse dans l'appareil. Plus vous réglez bas la température de l'appareil, plus la consommation d'énergie augmente.
- ▶ Des fonctions comme POWER-FREEZE consomment plus d'énergie.
- ▶ Laissez les aliments chauds refroidir avant de les mettre dans l'appareil.
- ▶ Ouvrez la porte de l'appareil le moins souvent et le plus rapidement possible.
- ▶ Ne remplissez pas trop l'appareil pour éviter de bloquer la circulation de l'air.
- ▶ Évitez l'air dans l'emballage des aliments.
- ▶ Gardez les joints de la porte propres afin que la porte se ferme toujours correctement.
- ▶ Décongelez les aliments surgelés dans le compartiment de rangement du réfrigérateur.
- ▶ La configuration la plus économe en énergie exige que l'appareil conserve les tiroirs, la boîte de rangement et les clayettes en parfait état, et les aliments doivent être placés le plus loin possible des orifices de sortie de la conduite d'air.

### Clayettes réglables

1. La hauteur des clayettes peut être réglée en fonction de vos besoins de rangement.
2. Pour déplacer une clayette, retirez-la d'abord en levant son bord arrière ① et en la tirant ②.
3. Pour la remettre en place, placez-la sur les ergots des deux côtés et poussez-la dans la position la plus reculée jusqu'à ce que l'arrière de la clayette soit fixé à l'intérieur des fentes sur les côtés.

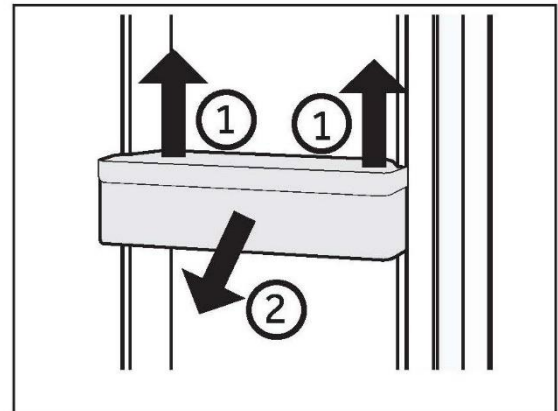


### REMARQUE

Assurez-vous que toutes les extrémités d'une clayette sont au même niveau.

### Balconnets de porte amovibles/Porte-bouteille

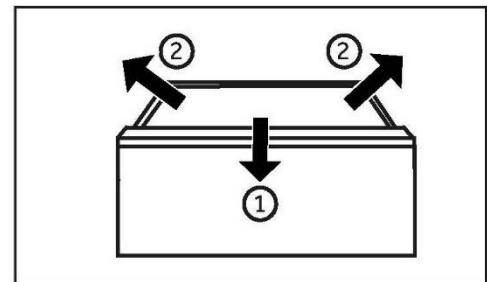
1. Les balconnets de porte/porte-bouteilles peuvent être retirés pour le nettoyage :
2. Placez les mains de chaque côté des balconnets/porte-bouteilles, soulevez-les ① et tirez-les ②.
3. Pour insérer les balconnets de porte/porte-bouteilles, vous devez suivre les étapes ci-dessus dans l'ordre inverse.



### Tiroir amovible

Pour retirer le tiroir, sortez-le au maximum ①, soulevez-le et retirez-le ②.

Pour introduire le tiroir, vous devez effectuer les étapes ci-dessus dans l'ordre inverse.



### Bac à glaçons

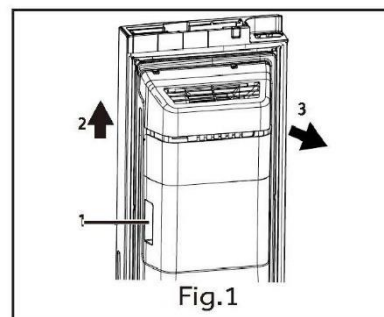
#### Arrêter la production de glace

Si aucune glace ou eau n'est nécessaire pendant une longue période, la vanne entre l'alimentation en eau et l'appareil peut être fermée.

Le bac à glaçons doit être nettoyé, séché et remis en place dans l'appareil pour éviter l'apparition d'odeurs.

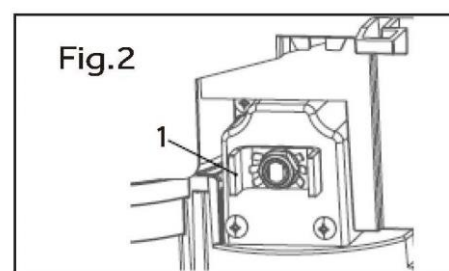
### Retrait du bac à glaçons

1. Saisissez les deux poignées latérales.
2. Soulevez le bac.
3. Retirez le bac.



### Réinstallation du bac à glaçons

Pour réinstaller le bac à glaçons, le support en U situé derrière le bac à glaçons (1 à la Fig. 2) doit être aligné avec la structure métallique correspondante. Suivez les étapes de la Fig. 1 dans l'ordre inverse.



### REMARQUE

L'humidité peut se condenser et geler le bac à glaçons en place.





### AVERTISSEMENT !

Débranchez l'appareil de l'alimentation électrique avant de le nettoyer.

#### Nettoyage

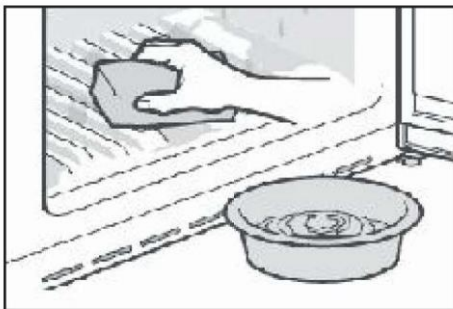
Nettoyez l'appareil lorsqu'il n'y a qu'un peu de nourriture ou qu'il n'y a pas de nourriture à l'intérieur.

L'appareil doit être nettoyé toutes les quatre semaines pour un bon entretien et pour éviter les mauvaises odeurs des aliments conservés à l'intérieur.



### AVERTISSEMENT !

- ▶ Ne nettoyez pas l'appareil à l'aide de brosses dures, de brosses métalliques, de détergents en poudre, d'essence, d'acétate d'amyle, d'acétone et de solutions organiques similaires, d'acides ou de solutions alcalines. Nettoyez-le avec un détergent spécial pour réfrigérateur afin d'éviter de l'endommager.
- ▶ Ne pulvérisez pas et ne rincez pas l'appareil pendant le nettoyage.
- ▶ N'utilisez pas de jet d'eau ou de vapeur pour nettoyer l'appareil.
- ▶ Ne nettoyez pas les clayettes froides en verre à l'eau chaude. Un changement soudain de température peut casser le verre.
- ▶ Ne touchez pas la surface intérieure du compartiment de l'appareil, en particulier avec les mains mouillées, car vos mains peuvent geler sur la surface.
- ▶ En cas de réchauffement, vérifiez l'état des produits surgelés.



- ▶ Gardez toujours le joint de la porte propre.
  - ▶ Nettoyez l'intérieur et le bâti de l'appareil à l'aide d'une éponge imbibée d'eau tiède et de détergent neutre.
1. Veuillez frotter l'intérieur et l'extérieur du réfrigérateur, y compris le joint de porte, le porte-bouteille, les clayettes en verre, les boîtes, etc., avec un torchon doux ou une éponge imbibée d'eau chaude (vous pouvez ajouter un détergent neutre dans l'eau chaude).
  2. S'il y a du liquide renversé, retirez toutes les parties contaminées, rincez-les directement sous l'eau du robinet, séchez-les et remettez-les dans le réfrigérateur.
  3. S'il y a de la crème (par exemple de la crème, de la crème glacée qui fond), retirez toutes les parties contaminées, placez-les dans de l'eau chaude à 40 °C pendant un certain temps, puis rincez-les à l'eau courante, séchez-les et remettez-les dans le réfrigérateur.
  4. Si une petite pièce ou un élément reste coincé à l'intérieur du réfrigérateur (entre les clayettes ou les tiroirs), utilisez une petite brosse souple pour l'éliminer. Si vous ne pouvez pas atteindre la pièce, veuillez contacter le service clientèle Haier
- ▶ Rincez et séchez avec un chiffon doux.
  - ▶ Ne nettoyez aucune des parties de l'appareil au lave-vaisselle.
  - ▶ Attendez au moins 5 minutes avant de redémarrer l'appareil, car le démarrage fréquent risque d'endommager le compresseur.

### Dégivrage

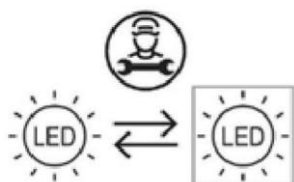
Le dégivrage des compartiments réfrigérateur et congélateur se fait automatiquement ; aucune opération manuelle n'est nécessaire.

Remplacement des lampes LED

### AVERTISSEMENT !

Ne remplacez pas la lampe LED vous-même, elle ne doit être remplacée que par le fabricant ou l'agent de maintenance agréé.

Les lampes utilisent des LED comme source lumineuse, avec une faible consommation d'énergie et une longue durée de vie. En cas d'anomalie, veuillez contacter le service clientèle. Reportez-vous au paragraphe SERVICE CLIENTÈLE.



Source de lumière (LED uniquement) remplaçable par un professionnel.

Ce produit contient une source de lumière appartenant à la classe d'efficacité énergétique G.

Compartiment	Tension	Classe d'efficacité énergétique	Modèle
Réfrigérateur	12 V	G	HSW59F18DIMM
Congélateur	12 V	G	HSW79F18DIPT
Lampe arrière	12 V	G	HSW79F18DIPT

### Nettoyage du bac à glaçons

Nettoyez régulièrement le bac à glaçons avec de l'eau chaude, surtout si les glaçons sont vieux et périmés. Séchez bien le récipient avant de le remettre dans l'appareil afin d'éviter que les glaçons ne collent aux parois.

### Non-utilisation pendant une période prolongée

Si l'appareil n'est pas utilisé pendant une période prolongée et que vous n'utiliserez pas la fonction Holiday pour le réfrigérateur :

- ▶ Sortez les aliments.
- ▶ Débranchez le cordon d'alimentation.
- ▶ Nettoyez l'appareil selon les instructions ci-dessus.
- ▶ Gardez les portes ouvertes pour éviter la formation de mauvaises odeurs à l'intérieur.

### REMARQUE

N'éteignez l'appareil que si cela est strictement nécessaire.



### Déplacement de l'appareil

1. Retirez tous les aliments et débranchez l'appareil.
2. Fixez les clayettes et les autres parties mobiles dans le réfrigérateur et dans le congélateur avec du ruban adhésif.
3. N'inclinez pas le réfrigérateur à plus de 45° pour éviter d'endommager le système de réfrigération.



### AVERTISSEMENT !

- ▶ Ne soulevez pas l'appareil par ses poignées.
- ▶ Ne placez jamais l'appareil à l'horizontale sur le sol.

### Remplacement du filtre

Le filtre à eau doit être remplacé environ tous les 6 mois, lorsque l'indicateur « c3 » (fonction de réinitialisation du filtre) s'allume.

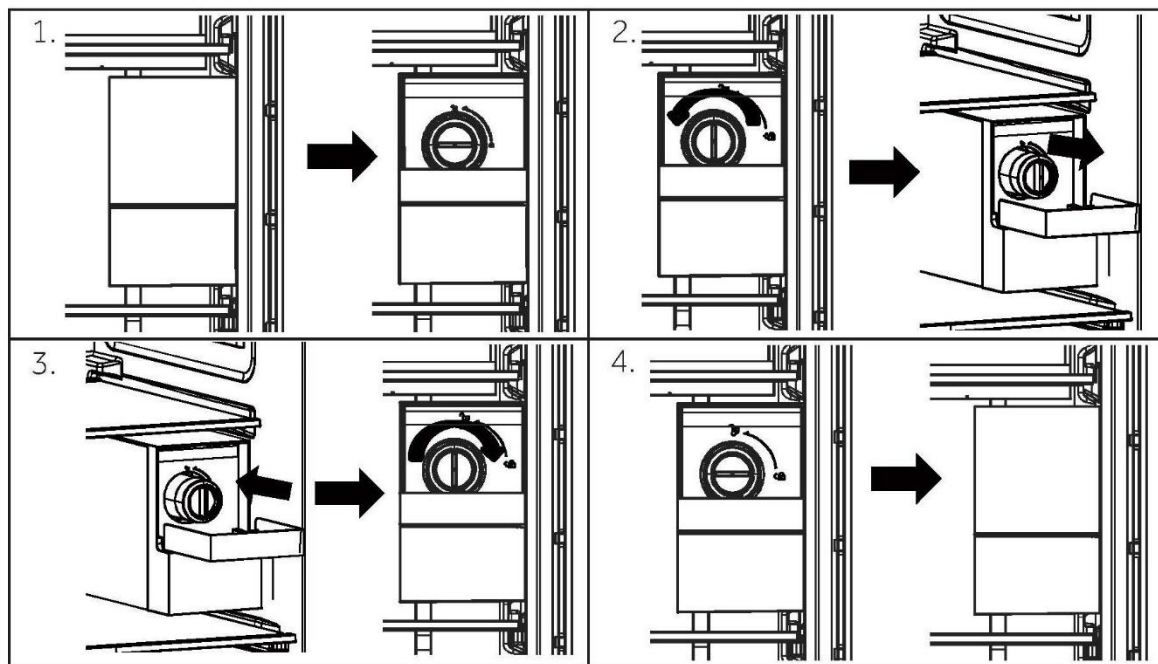
Pour acheter un filtre à eau de remplacement :

- Utilisez la cartouche de remplacement : HRXWF,
- Rendez-vous chez votre revendeur ou distributeur local. Pour obtenir de l'aide, rendez-vous sur notre site Web à l'adresse [www.haierespares.eu](http://www.haierespares.eu)



### Remarque

- ▶ Le remplacement du filtre à eau provoque l'écoulement d'une petite quantité d'eau (environ 25 cc).
  - ▶ Enveloppez un chiffon autour de l'avant du couvercle du filtre à eau pour recueillir toute fuite d'eau éventuelle. Tenez le filtre à eau en position verticale, une fois qu'il est retiré, afin d'éviter que l'eau restante ne s'échappe du filtre à eau.
1. Appuyez sur le milieu du couvercle supérieur et tournez-le vers le bas.
  2. Retirez le filtre à eau jetable.
  3. Remplacez-le par un neuf. Insérez le nouveau filtre dans la tête du filtre et tournez-le dans le sens des aiguilles d'une montre jusqu'à ce que la flèche du filtre neuf soit dans l'alignement de la flèche située sur la tête du filtre. Remplacez le filtre dans le compartiment.
  4. Fermez le couvercle du filtre à eau.



5. Appuyez et maintenez la touche 3Sec. Filter Reset enfoncée pendant 3 secondes.
6. Faites couler l'eau pendant environ 5 minutes pour éliminer l'air emprisonné et les contaminants.



## ATTENTION !

- ▶ Ne pas remplacer les filtres lorsque cela est nécessaire ou l'utilisation de filtres à eau non autorisés par Haier peut entraîner des fuites de la cartouche du filtre et causer des dommages matériels.

### Filtre à eau

#### Modèle : Haier HRXWF

- ▶ Système certifié par IAPMO R&T d'après les normes NSF/ANSI 42, 53, 401 et P473 pour la réduction des revendications spécifiées sur la fiche de performance et sur [iapmort.org](http://iapmort.org).
- ▶ Les performances réelles peuvent varier en fonction des critères d'eau locaux.

#### Directives d'application/Paramètres d'approvisionnement en eau

Débit de service : 1,89 l/min (0,5 g/min)

Approvisionnement en eau : Eau potable

Pression d'eau : 25-120 psi (172-827 kPa)

Température de l'eau : 0,6 °C-38 °C

Capacité : 643,5 litres (170 gallons)

Il est essentiel de respecter les exigences d'installation, d'entretien et de remplacement du filtre recommandées par le fabricant pour que le produit fonctionne comme annoncé. Consultez le manuel d'installation pour obtenir des informations sur la garantie.



### Remarque

Bien que les essais aient été effectués dans des conditions de laboratoire normalisées, les performances réelles peuvent varier. Cartouche de remplacement : HRXWF Pour les coûts estimés des éléments de remplacement, rendez-vous sur notre site Web à l'adresse [www.haiersparses.eu](http://www.haiersparses.eu).

### AVERTISSEMENT !

- ▶ Pour réduire le risque associé à l'ingestion de contaminants :
- ▶ N'utilisez pas de l'eau peu sûre sur le plan microbiologique ou de qualité inconnue sans désinfection adéquate avant ou après le système. Les systèmes certifiés pour l'élimination des kystes peuvent être utilisés sur de l'eau désinfectée susceptible des kystes filtrables.

### Remarque

#### **Pour réduire les risques de fuite ou de dégât des eaux et assurer une performance optimale du filtre :**

- ▶ Lisez et suivez les instructions d'utilisation avant l'installation et l'utilisation de ce système.
- ▶ L'installation et l'utilisation DOIVENT être conformes à tous les codes nationaux et locaux en matière de plomberie.
- ▶ N'installez pas le filtre si la pression de l'eau dépasse 120 psi (827 kPa). Si votre pression d'eau dépasse 80 psi (552 kPa), vous devez installer une soupape à limitation de pression. Si vous ne savez pas comment vérifier la pression de votre eau, contactez un professionnel de la plomberie.
- ▶ N'installez pas le filtre lorsque des coups de bélier peuvent se produire. Si des coups de bélier sont possibles, vous devez installer un dispositif anti-coup de bélier. Si vous ne savez pas comment vérifier cela, contactez un professionnel de la plomberie.
- ▶ N'installez pas le filtre sur des conduites d'arrivée d'eau chaude. La température maximale de fonctionnement de ce système de filtration est de 38 °C.
- ▶ Protégez le filtre de la congélation. Vidangez le filtre lorsque la température baisse en dessous de 0,6 °C.
- ▶ Changez la cartouche filtrante jetable tous les six mois ou plus tôt si vous observez une réduction notable du débit d'eau.
- ▶ Le non-remplacement de la cartouche filtrante jetable à intervalles recommandés peut entraîner une réduction des performances et des fissures dans le boîtier du filtre, causant des fuites ou des dégâts des eaux.
- ▶ Ce système a été testé selon les normes NSF/ANSI 42, 53, 401 et P473 afin de réduire les substances énumérées ci-dessous. La concentration des substances indiquées dans l'eau pénétrant dans le système a été réduite à une concentration inférieure ou égale à la limite admissible pour l'eau quittant le système, conformément aux spécifications des normes NSF/ANSI 42, 53, 401 et P473.



Vous pouvez résoudre de nombreux problèmes vous-même sans expertise spécifique. En cas de problème, veuillez vérifier toutes les possibilités indiquées et suivre les instructions ci-dessous avant de contacter un service clientèle. Reportez-vous au paragraphe SERVICE CLIENTÈLE.



## AVERTISSEMENT !

- ▶ Avant l'entretien, désactivez l'appareil et débranchez la fiche secteur de la prise secteur.
- ▶ L'équipement électrique ne doit être entretenu que par des experts en électricité qualifiés, car des réparations inappropriées peuvent causer des dommages consécutifs considérables.
- ▶ Une alimentation endommagée ne devrait être remplacée que par le fabricant, son agent de maintenance ou des personnes avec une qualification similaire de manière à éviter tout danger.

Problème	Cause possible	Solution possible
Le compresseur ne fonctionne pas.	<ul style="list-style-type: none"> <li>• La fiche secteur n'est pas branchée dans la prise secteur.</li> <li>• L'appareil est en cours de dégivrage</li> </ul>	<ul style="list-style-type: none"> <li>• Branchez la fiche secteur.</li> <li>• C'est normal pour un dégivrage automatique</li> </ul>
L'appareil fonctionne fréquemment ou fonctionne trop longtemps.	<ul style="list-style-type: none"> <li>• La température intérieure ou extérieure est trop élevée.</li> <li>• L'appareil a été hors tension pendant un certain temps.</li> <li>• Une porte de l'appareil n'est pas bien fermée.</li> <li>• La porte a été ouverte trop fréquemment ou trop longtemps.</li> <li>• Le réglage de la température du compartiment congélateur est trop bas.</li> <li>• Le joint de la porte est sale, usé, fissuré ou ne correspond pas.</li> <li>• La circulation de l'air requise n'est pas garantie.</li> </ul>	<ul style="list-style-type: none"> <li>• Dans ce cas, il est normal que l'appareil fonctionne plus longtemps.</li> <li>• Normalement, il faut 8 à 12 heures pour que l'appareil refroidisse complètement.</li> <li>• Fermez la porte/le tiroir et assurez-vous que l'appareil est situé sur un sol à niveau et qu'il n'y a pas d'aliment ou de récipient bloquant la porte.</li> <li>• N'ouvrez pas trop souvent la porte/le tiroir.</li> <li>• Réglez une température plus élevée jusqu'à l'obtention d'une température satisfaisante dans le réfrigérateur. Il faut 24 heures pour que la température du réfrigérateur devienne stable.</li> <li>• Nettoyez le joint de la porte/du tiroir ou faites-le remplacer par le service clientèle.</li> <li>• Assurez une ventilation adéquate.</li> </ul>



Problème	Cause possible	Solution possible
L'intérieur du réfrigérateur est sale et/ou sent.	<ul style="list-style-type: none"><li>• L'intérieur du réfrigérateur a besoin d'être nettoyé.</li><li>• Des aliments à forte odeur sont conservés au réfrigérateur.</li></ul>	<ul style="list-style-type: none"><li>• Nettoyez l'intérieur du réfrigérateur.</li><li>• Enveloppez soigneusement les aliments.</li></ul>
L'appareil émet des sons anormaux.	<ul style="list-style-type: none"><li>• L'appareil n'est pas situé sur un sol plan.</li><li>• L'appareil touche un objet situé à proximité.</li></ul>	<ul style="list-style-type: none"><li>• Réglez le pied pour mettre l'appareil à niveau.</li><li>• Retirez les objets autour de l'appareil.</li></ul>
Il ne fait pas suffisamment froid à l'intérieur de l'appareil.	<ul style="list-style-type: none"><li>• La température réglée est trop élevée. Des produits trop chauds ont été stockés.</li><li>• Trop d'aliments ont été mis à l'intérieur en même temps.</li><li>• Les aliments sont trop proches les uns des autres.</li><li>• Une porte / un tiroir de l'appareil n'est pas bien fermé(e).</li><li>• La porte / le tiroir a été ouvert(e) trop fréquemment ou trop longtemps.</li></ul>	<ul style="list-style-type: none"><li>• Réinitialisez la température.</li><li>• Laissez toujours refroidir les aliments avant de les mettre à l'intérieur.</li><li>• Conservez toujours de petites quantités d'aliments.</li><li>• Laissez de la place entre plusieurs aliments pour permettre la circulation de l'air.</li><li>• Fermez la porte / le tiroir.</li><li>• N'ouvrez pas trop souvent la porte/le tiroir.</li></ul>
Il fait trop froid à l'intérieur de l'appareil.	<ul style="list-style-type: none"><li>• La température réglée est trop basse. La fonction Super-Frz / Super-Cool est activée ou fonctionne trop longtemps.</li></ul>	<ul style="list-style-type: none"><li>• Réinitialisez la température.</li><li>• Éteignez la fonction Super-Frz/Super-Cool.</li></ul>
Formation d'humidité à l'intérieur du compartiment réfrigérateur.	<ul style="list-style-type: none"><li>• Le climat est trop chaud et trop humide.</li><li>• Une porte / un tiroir de l'appareil n'est pas bien fermé(e).</li><li>• La porte / le tiroir a été ouvert(e) trop fréquemment ou trop longtemps.</li><li>• Les récipients contenant des aliments ou des liquides sont laissés ouverts.</li></ul>	<ul style="list-style-type: none"><li>• Augmentez la température.</li><li>• Fermez la porte / le tiroir.</li><li>• N'ouvrez pas trop souvent la porte/le tiroir.</li><li>• Laissez refroidir les aliments chauds à température ambiante et couvrez les aliments et les liquides.</li></ul>
L'humidité s'accumule sur le réfrigérateur à l'extérieur de la surface ou entre les portes / la porte et le tiroir.	<ul style="list-style-type: none"><li>• Le climat est trop chaud et trop humide.</li><li>• La porte n'est pas fermée hermétiquement. L'air froid de l'appareil et l'air chaud à l'extérieur de celui-ci se condensent.</li></ul>	<ul style="list-style-type: none"><li>• C'est normal dans un climat humide et cela va changer lorsque l'humidité diminuera.</li><li>• Assurez-vous que la porte / le tiroir est bien fermé(e).</li></ul>



Problème	Cause possible	Solution possible
Glace dure et givre dans le compartiment congélateur.	<ul style="list-style-type: none"> <li>• Les produits n'ont pas été correctement emballés.</li> <li>• Une porte / un tiroir de l'appareil n'est pas bien fermé(e).</li> <li>• La porte / le tiroir a été ouvert(e) trop fréquemment ou trop longtemps.</li> <li>• Le joint de la porte / du tiroir est sale, usé, fissuré ou ne correspond pas.</li> <li>• Quelque chose à l'intérieur empêche la porte/le tiroir de se fermer correctement.</li> </ul>	<ul style="list-style-type: none"> <li>• Emballez toujours bien les produits.</li> <li>• Fermez la porte / le tiroir.</li> <li>• N'ouvrez pas trop souvent la porte/le tiroir.</li> <li>• Nettoyez le joint de la porte / du tiroir ou remplacez-les par des joints neufs.</li> <li>• Repositionnez les clayettes, les balconnets de porte ou les récipients à l'intérieur pour permettre à la porte / au tiroir de se fermer.</li> </ul>
Les côtés de l'appareil et de la bande de la porte se réchauffent.	<ul style="list-style-type: none"> <li>• -</li> </ul>	<ul style="list-style-type: none"> <li>• Cela est normal.</li> </ul>
L'appareil émet des sons anormaux.	<ul style="list-style-type: none"> <li>• L'appareil n'est pas situé sur un sol plan.</li> <li>• L'appareil touche un objet situé à proximité.</li> </ul>	<ul style="list-style-type: none"> <li>• Réglez le pied pour mettre l'appareil à niveau.</li> <li>• Retirez les objets autour de l'appareil.</li> </ul>
Un léger son doit être entendu comme celui de l'eau courante.	<ul style="list-style-type: none"> <li>• -</li> </ul>	<ul style="list-style-type: none"> <li>• Cela est normal.</li> </ul>
Un bip d'alarme retentit.	<ul style="list-style-type: none"> <li>• La porte du compartiment de rangement du réfrigérateur est ouverte.</li> </ul>	<ul style="list-style-type: none"> <li>• Fermez la porte.</li> </ul>
Vous entendrez un petit hum.	<ul style="list-style-type: none"> <li>• Le système anti-condensation fonctionne.</li> </ul>	<ul style="list-style-type: none"> <li>• Cela empêche la condensation et est normal.</li> </ul>
Le système d'éclairage ou de refroidissement à l'intérieur ne fonctionne pas.	<ul style="list-style-type: none"> <li>• La fiche secteur n'est pas branchée dans la prise secteur.</li> <li>• L'alimentation n'est pas intacte.</li> <li>• La lampe LED est hors service.</li> </ul>	<ul style="list-style-type: none"> <li>• Branchez la fiche secteur.</li> <li>• Vérifiez l'alimentation électrique de la pièce. Appelez la société d'électricité locale !</li> <li>• Veuillez appeler le service technique pour faire changer la lampe.</li> </ul>
De l'eau fuit ou goutte du bec du distributeur d'eau.	<ul style="list-style-type: none"> <li>• Le réservoir d'eau n'est pas installé correctement</li> <li>• Le bec du distributeur d'eau n'est pas vissé à fond au réservoir.</li> <li>• Le joint torique en silicone blanc n'est pas installé sur le bec verseur d'eau.</li> </ul>	<ul style="list-style-type: none"> <li>• Remplacez le réservoir d'eau dans la porte du réfrigérateur, assurez-vous qu'il est complètement enfoncé dans la porte.</li> <li>• Le bec verseur d'eau est vissé à fond sur le réservoir d'eau.</li> <li>• Vérifiez que le bec verseur d'eau est muni d'un joint torique en silicone blanc à l'extrémité du réservoir avant d'installer le bec verseur sur le réservoir d'eau.</li> </ul>





Pour contacter l'assistance technique, visitez notre site web : <https://corporate.haier-europe.com/en/>

Dans la rubrique « site web », choisissez la marque de votre produit et votre pays. Vous serez redirigé vers le site web spécifique où vous trouverez le numéro de téléphone et le formulaire pour contacter l'assistance technique.

### Coupure de courant

En cas de coupure de courant, les aliments devraient rester froids en toute sécurité pendant 5 heures environ. Suivez ces conseils pendant une coupure de courant prolongée, en particulier en été :

- ▶ Ouvrez la porte / le tiroir le moins possible.
- ▶ Ne mettez pas d'aliments supplémentaires dans l'appareil pendant une coupure de courant.
- ▶ Si un préavis de coupure de courant est donné et que la durée de la coupure est supérieure à 5 heures, préparez des glaçons et placez-les dans un récipient en haut du compartiment réfrigérateur.
- ▶ Une inspection des produits est requise immédiatement après la coupure de courant.
- ▶ Étant donné que la température du réfrigérateur augmentera lors d'une coupure de courant ou d'une autre panne, la durée de conservation et la qualité alimentaire des aliments seront réduites. Tout aliment décongelé doit être consommé ou cuit et recongelé (le cas échéant) peu de temps après afin de prévenir les risques pour la santé.



### REMARQUE : Fonction mémoire pendant la coupure de courant

Lorsque le courant revient, l'appareil continue à fonctionner avec les réglages réglés avant la panne de courant.

## Déballage



### AVERTISSEMENT !

- ▶ L'appareil est lourd. Manipulez-le toujours avec au moins deux personnes.
- ▶ Conservez tous les emballages hors de la portée des enfants, puis jetez-les d'une manière respectueuse de l'environnement.
- ▶ Sortez l'appareil de l'emballage.
- ▶ Retirez tous les matériaux d'emballage.

### Conditions environnementales

La température ambiante doit toujours être comprise entre 10 °C et 43 °C, car elle peut influencer la température à l'intérieur de l'appareil et sa consommation d'énergie. N'installez pas l'appareil à proximité d'autres appareils générant de la chaleur (fours, réfrigérateurs) sans isolation.

- Tempéré étendu (SN) : cet appareil de réfrigération est destiné à être utilisé à des températures ambiantes allant de 10 °C à 32 °C.
- Tempéré (N) : cet appareil de réfrigération est destiné à être utilisé à des températures ambiantes allant de 16 °C à 32 °C.
- Subtropical (ST) : « cet appareil de réfrigération est destiné à être utilisé à des températures ambiantes allant de 16 °C à 38 °C.

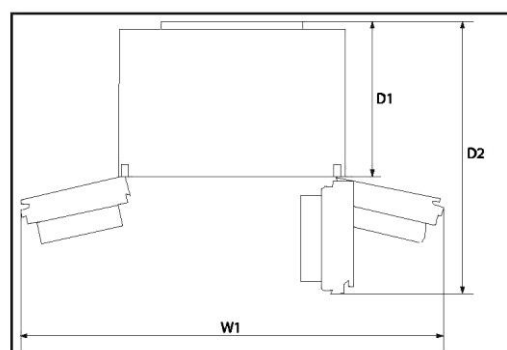
### Espace requis

Espace requis lorsque la porte est ouverte :

L1 = 157,8 cm

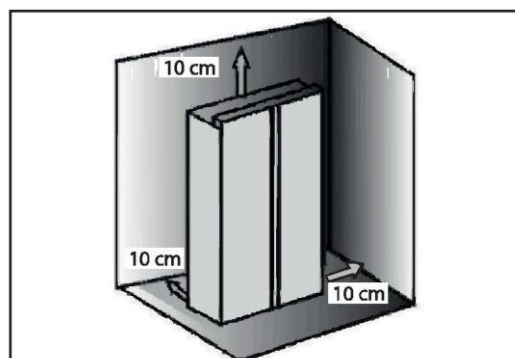
P1 = 62,9 cm

P2 = 117,5 cm



### Coupe transversale de ventilation

Pour obtenir une ventilation suffisante de l'appareil pour des raisons de sécurité, il convient de respecter les informations relatives aux coupes transversales de ventilation requises.

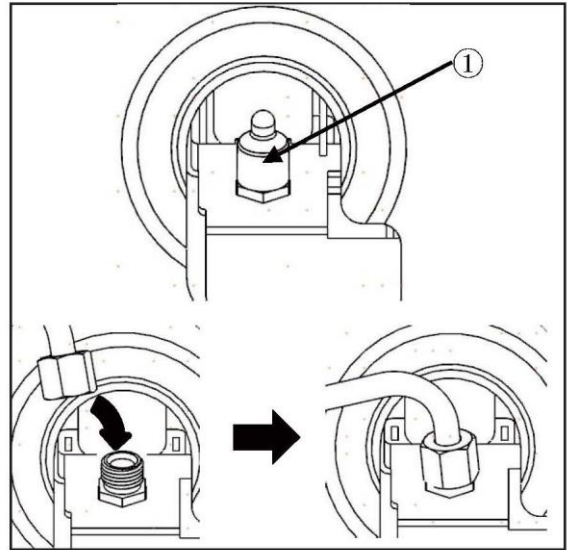


### REMARQUE

Pour un appareil en pose libre : cet appareil de réfrigération n'est pas destiné à être utilisé comme un appareil encastré.

## Raccordement de l'eau à l'appareil

1. Retirez le bouchon en caoutchouc (1) de la vanne d'arrivée d'eau.

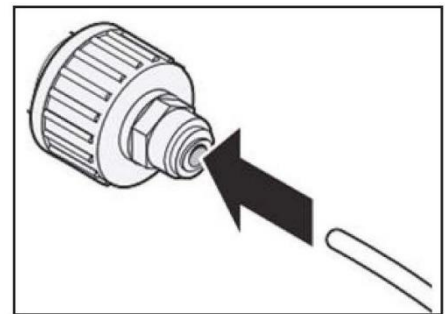


2. Poussez fermement le tube d'eau sur la vanne d'arrivée d'eau et serrez l'écrou à collet. Cette conduite d'eau doit être coupée au milieu et utilisée, et l'autre section servira de pièce de rechange.

## Raccordement au robinet d'eau

Cette fonction n'est disponible que sur certains modèles.

1. Poussez le tube d'eau dans le trou du raccord de robinet fourni dans les accessoires. Le tuyau doit être maintenu fermement pendant que le raccord est enfoncé sur le tuyau.
  2. Assurez-vous que la rondelle en caoutchouc est fixée à l'intérieur du raccord de robinet avant de visser le tout sur le robinet.
- ▶ Vous devrez peut-être acheter un connecteur ou un adaptateur séparé si votre robinet ne correspond pas à la taille du filetage du connecteur fourni.



## Vérification du raccordement d'eau

Cette fonction n'est disponible que sur certains modèles.

- ▶ Mettez en marche l'alimentation en eau et mettez l'appareil sous tension. Vérifiez soigneusement tous les raccords pour déceler des fuites éventuelles dues à des tuyaux mal installés.
- ▶ Appuyez et maintenez la touche 3Sec. Filter Reset enfoncée pendant trois secondes. Le nouveau filtre à eau a été activé.
- ▶ Placez une tasse sous le distributeur d'eau pour vérifier que de l'eau circule dans l'appareil.
- ▶ Vérifiez à nouveau le tube de raccordement et les joints d'étanchéité.



## AVERTISSEMENT !

- ▶ Assurez-vous toujours que les raccordements sont bien serrés, secs et sans fuite.
- ▶ Assurez-vous que le tuyau n'est jamais écrasé, plié ou tordu.

### Alignement de l'appareil

L'appareil doit être placé sur une surface plane et solide.

1. Inclinez légèrement l'appareil vers l'arrière (Fig. 7).
2. Réglez les pieds au niveau souhaité. Veillez à ce que la distance au mur du côté des charnières soit d'au moins 10 cm.
3. La stabilité peut être vérifiée en alternant les diagonales. Le léger flottement doit être le même dans les deux directions. Dans le cas contraire, le cadre peut se déformer ; cela se traduit par des fuites au niveau des joints de la porte. Une faible tendance vers l'arrière facilite la fermeture des portes.

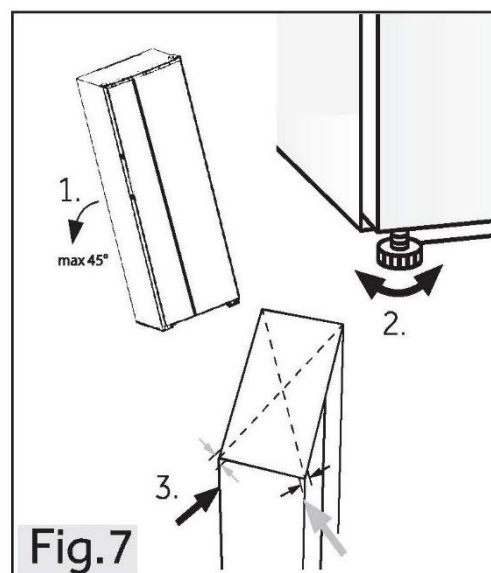


Fig.7

### Réglage fin des portes

Si les portes ne sont toujours pas au même niveau après avoir été mises à niveau par les pieds, il est possible de remédier à ce décalage en tournant l'arbre de levage de la charnière dans le coin inférieur droit de la porte réfrigérante à l'aide d'une clé (Fig.8).

Tournez l'arbre de levage dans le sens des aiguilles d'une montre avec une clé pour abaisser la hauteur de la porte (Fig. 9).

Déverrouillez la porte en tournant l'arbre de levage à l'aide d'une clé pour régler la hauteur de la porte (Fig. 10).

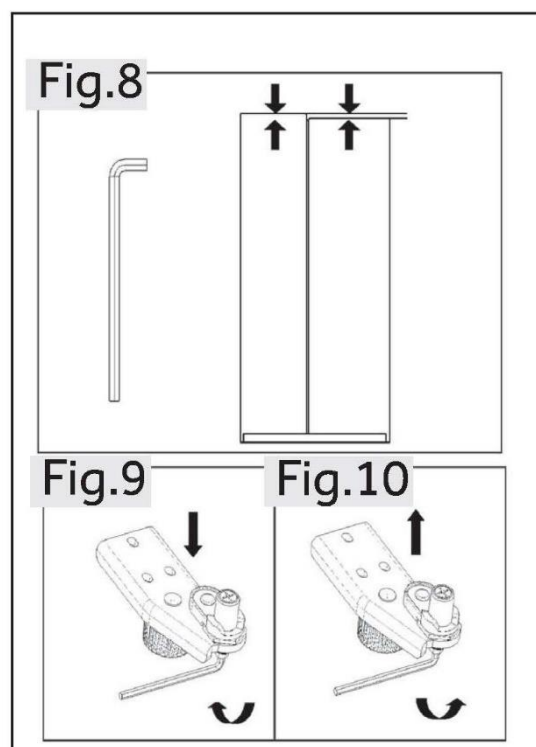


Fig.8

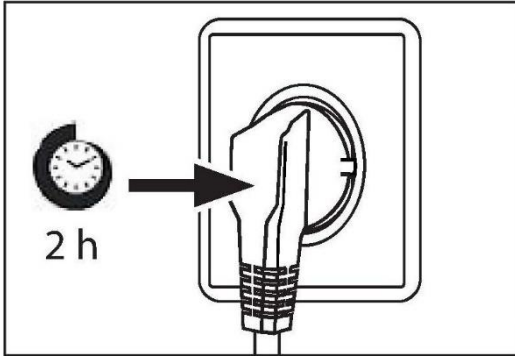
Fig.9

Fig.10



## AVERTISSEMENT !

Ne réglez pas l'arbre de levage à une hauteur excessive qui pourrait faire sortir l'arbre de sa position verrouillée d'origine (plage de réglage en hauteur : 3 mm).



### Temps d'attente

L'huile de lubrification sans entretien se trouve dans la capsule du compresseur. Cette huile peut passer par le système fermé de tuyauterie pendant le transport incliné. Avant de brancher l'appareil sur l'alimentation électrique, attendez au moins 2 heures afin que l'huile revienne dans la capsule.

### Branchement électrique

#### Avant chaque branchement, vérifiez si :

- ▶ l'alimentation, la prise et le fusible sont adaptés à la plaque signalétique.
- ▶ la prise de courant est mise à la terre et sans multiprise ni rallonge.
- ▶ la fiche d'alimentation et la prise sont adaptées l'une à l'autre.

Branchez la fiche sur une prise domestique correctement installée.



## AVERTISSEMENT !

Pour éviter tout risque, un câble d'alimentation endommagé doit être remplacé par le service à la clientèle (voir carte de garantie).

### Démontage et installation des portes

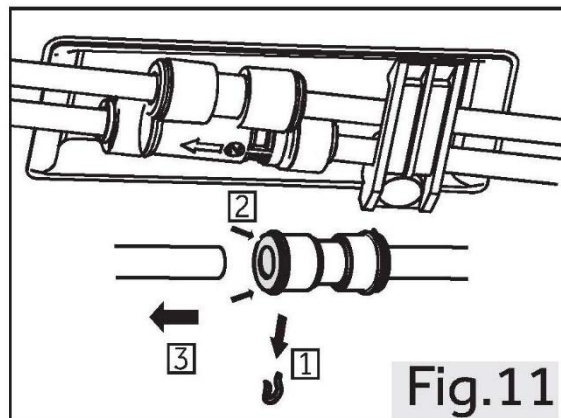
Si vous devez retirer les portes de l'appareil, veuillez suivre les instructions de retrait et d'installation des portes ci-dessous.



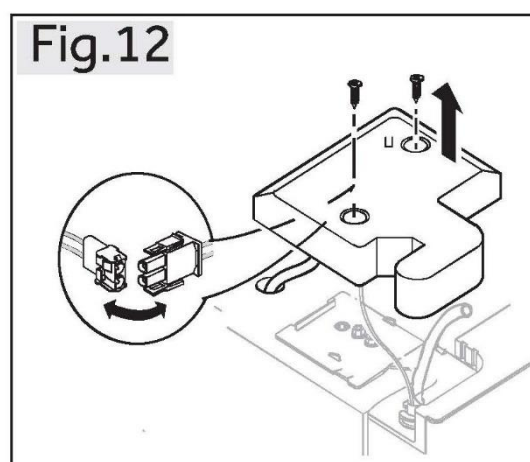
## AVERTISSEMENT !

- ▶ Avant toute opération, désactivez l'appareil et débranchez la fiche secteur de la prise secteur.
- ▶ Fermez l'arrivée d'eau.
- ▶ L'appareil est lourd. Manipulez-le toujours avec au moins deux personnes.
- ▶ N'inclinez pas l'appareil à plus de 45° et ne le posez pas à l'horizontale sur le sol.
- ▶ La porte peut tomber et blesser des personnes, ou être endommagée pendant ces étapes, veuillez faire plus attention lors du déplacement et de l'installation des portes.

1. Libérez le côté gauche des deux raccordements d'eau situés dans le coin avant gauche au bas de l'appareil : appuyez et maintenez le collier comme indiqué et retirez le tuyau d'eau. (Fig. 11).



2. Dévissez la vis du couvercle de la charnière et retirez le couvercle (Fig. 12). Lorsque vous retirez la porte du congélateur, débranchez tous les fils, à l'exception du fil de mise à la terre.

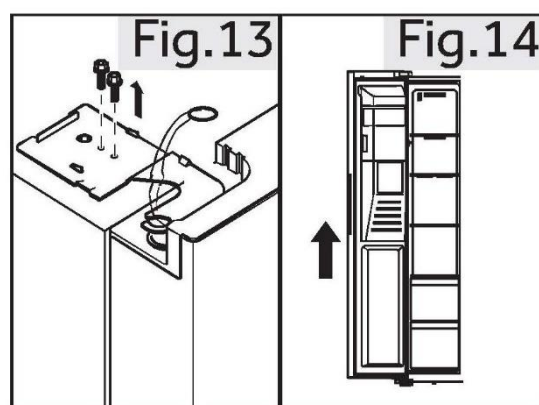


3. Défaites les vis qui maintiennent la charnière supérieure en position, puis retirez la charnière (Fig. 13).

4. Soulevez la porte pour la retirer (Fig. 14). Lorsque vous retirez la porte du congélateur, soulevez-la suffisamment pour pouvoir retirer le raccord d'eau du bas de l'appareil.

5. Remettez la porte en place en inversant les étapes de la dépose. Assurez-vous que le câble de mise à la terre sera fixé par la vis.

6. Remettez le raccord d'eau en place.




## REMARQUE : Porte du réfrigérateur

Les illustrations montrent le démontage de la porte du compartiment congélateur. Pour la porte du réfrigérateur, utilisez les pièces correspondantes de l'autre côté.



Fiche du produit selon la réglementation UE n° 2019/2016

Marque	Haier
Nom du modèle / identifiant	HSW59F18DIMM HSW79F18DIPT
Catégorie du modèle	Réfrigérateur- congélateur
Classe d'efficacité énergétique	D
Consommation d'énergie annuelle (kWh/an) <sup>(1)</sup>	267
Volume total (l)	601
Volume du réfrigérateur (l)	391
Volume du congélateur (L)	206
Volume bac à glace (2 étoiles) (L)	4
Nombre d'étoiles	
Température des autres compartiments > 14 °C	Non applicable
Système sans givre	Oui
Capacité de congélation (kg/24h)	10
Classe climatique <sup>(2)</sup>	SN-N-ST
Classe d'émission de bruit et émissions acoustiques dans l'air (db(A) re 1pW)	C(36)
Temps de montée en température (h)	5
Capacité de fabrication de glaçons	0,8 kg /24h
Type d'appareil	Autonome

Explications :

• Oui, fonction présente

- (1) Sur la base des résultats de l'essai de conformité aux normes pendant plus de 24 heures.  
La consommation réelle dépend de l'utilisation et de l'emplacement de l'appareil.
- (2) Classe climatique SN : cet appareil est destiné à être utilisé à une température ambiante comprise entre +10 °C et +32 °C  
Classe climatique N : cet appareil est destiné à être utilisé à une température ambiante comprise entre +16 °C et +32 °C  
Classe climatique ST : cet appareil est destiné à être utilisé à une température ambiante comprise entre +16 °C et +38 °C

### Données techniques supplémentaires

Tension / Fréquence	220-240 V ~/50 Hz
Courant d'entrée (A)	1,8
Puissance de dégivrage (W)	220
Fusible principal (A)	15
Réfrigérant	R600a
Dimensions (H/L/P en mm)	1775/905/726





Nous recommandons notre service clientèle Haier et l'utilisation de pièces détachées d'origine. Si vous rencontrez un problème avec votre appareil, veuillez d'abord consulter le paragraphe DÉPANNAGE.

Si vous ne trouvez pas de solution, veuillez contacter

- ▶ votre revendeur local ou
- ▶ notre centre de service d'appel européen (voir les numéros de téléphone ci-dessous) ou
- ▶ l'espace Service & Assistance à l'adresse [www.haier.com](http://www.haier.com) où vous pouvez activer la demande
- ▶ de service et trouver également les FAQ.

Pour contacter notre Service, assurez-vous que vous disposez des données suivantes. Les informations se trouvent sur la plaque signalétique.

Modèle \_\_\_\_\_

N° de série \_\_\_\_\_

Vérifiez également la carte de garantie fournie avec le produit en cas de garantie.

Centre de service d'appel européen		
Pays*	Numéro de téléphone	Coûts
Haier Italy (IT)	199 100912	
Haier Spain (ES)	902 509 123	
Haier Germany (DE)	0180539 39 99	<ul style="list-style-type: none"><li>• 14 centimes/min ligne fixe</li><li>• max 42 centimes/min mobile</li></ul>
Haier Austria (AT)	0820 001 205	<ul style="list-style-type: none"><li>• 14,53 centimes/min ligne fixe</li><li>• max 20 centimes/min pour tous les autres</li></ul>
Haier United Kingdom (UK)	0333 003 8122	
Haier France (FR)	0980 406 409	



## Service clientèle

\* Pour d'autres pays, veuillez vous référer à [www.haier.com](http://www.haier.com)

Haier Europe Trading S.r.l

Filiale Royaume-Uni

Westgate House, Westgate, Ealing

Londres, W5 1YY

\*Durée de la garantie de l'appareil de réfrigération :

La garantie minimale est : 2 ans pour les pays de l'UE, 3 ans pour la Turquie, 1 an pour le Royaume-Uni, 1 an pour la Russie, 3 ans pour la Suède, 2 ans pour la Serbie, 5 ans pour la Norvège, 1 an pour le Maroc, 6 mois pour l'Algérie, aucune garantie légale pour la Tunisie.

\*La période des pièces détachées pour la réparation de l'appareil :

Les thermostats, les capteurs de température, les circuits imprimés et les sources de lumière sont disponibles pendant une période minimale de sept ans après la mise sur le marché de la dernière unité du modèle.

Poignées de porte, charnières de porte, bacs et paniers pendant une période minimale de sept ans et joints de porte pendant une période minimale de 10 ans, après la mise sur le marché de la dernière unité du modèle.

\*Pour plus d'informations sur le produit, consultez <https://eprel.ec.europa.eu/> ou scannez le code QR sur l'étiquette énergétique fournie avec l'appareil.





## Indice

---

Informazioni per la sicurezza .....	182
Uso previsto.....	187
Descrizione del prodotto.....	188
Pannello di controllo.....	189
Utilizzo.....	190
Dotazioni .....	203
Cura e pulizia.....	205
Soluzione dei problemi.....	210
Installazione .....	214
Dati tecnici.....	219
Assistenza clienti.....	221



Grazie



## Grazie per aver acquistato un prodotto Haier.

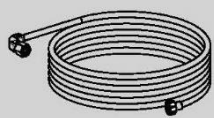
Leggere attentamente queste istruzioni prima di utilizzare l'elettrodomestico. Le istruzioni contengono informazioni importanti per ottimizzare l'uso dell'elettrodomestico e garantire l'installazione, l'uso e la manutenzione sicuri e corretti.

Conservare il presente manuale in un luogo comodo, in modo da poterlo sempre consultare per un uso sicuro e corretto dell'elettrodomestico.

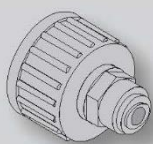
Se l'elettrodomestico viene venduto, ceduto o abbandonato in caso di trasloco, trasferire anche il presente manuale in modo che il nuovo proprietario possa comprendere l'uso dell'elettrodomestico e delle avvertenze di sicurezza.

## Accessori

Controllare gli accessori e la documentazione in base al seguente elenco:



\*Tubo dell'acqua



\*Connettore dell'acqua



Etichetta energetica



Scheda della garanzia



Guida rapida



## AVVERTENZA - Informazioni importanti per la sicurezza



## AVVISO - Informazioni generali e consigli



## Informazioni ambientali



### Smaltimento

Contribuire a proteggere l'ambiente e la salute umana. Collocare l'imballo in appositi contenitori affinché venga riciclato. Contribuire al riciclo dei rifiuti delle apparecchiature elettriche ed elettroniche. Non smaltire gli elettrodomestici contrassegnati con questo simbolo assieme ai rifiuti domestici. Conferire il prodotto presso la struttura di riciclo locale o rivolgersi all'ufficio comunale preposto.



## AVVERTENZA!

Pericolo di lesioni o soffocamento!

I refrigeranti e i gas devono essere smaltiti in maniera professionale. Accertarsi che la tubazione del circuito del refrigerante non sia danneggiata prima di smaltirla correttamente. Scollegare l'elettrodomestico dalla rete elettrica. Tagliare il cavo di alimentazione e smaltirlo. Rimuovere vassoi e cassette, fermaporte e guarnizioni, per evitare che bambini e animali domestici rimangano chiusi nell'elettrodomestico.



## Prima di accendere l'elettrodomestico per la prima volta, leggere i seguenti consigli sulla sicurezza:



### AVVERTENZA!

#### Operazioni preliminari al primo utilizzo

- ▶ Accertarsi dell'assenza di danni dovuti al trasporto.
- ▶ Rimuovere tutti gli elementi di imballo e tenerli fuori dalla portata dei bambini.
- ▶ Per garantire la totale efficienza del circuito del refrigerante, attendere almeno due ore prima di installare l'elettrodomestico.
- ▶ L'elettrodomestico deve essere maneggiato sempre da almeno due persone perché è pesante.

#### Installazione

- ▶ Installare l'elettrodomestico in un luogo asciutto e ben ventilato. Lasciare uno spazio libero di almeno 10 cm sopra e attorno all'elettrodomestico.
- ▶ Non collocare mai l'elettrodomestico in zone umide o soggette a schizzi d'acqua. Pulire e asciugare schizzi e macchie d'acqua con un panno morbido e pulito.
- ▶ Non installare l'elettrodomestico esposto alla luce diretta del sole o in prossimità di fonti di calore (ad es. stufe o radiatori).
- ▶ Installare l'elettrodomestico a livello in un'area adatta alle dimensioni e all'uso.
- ▶ Le aperture di ventilazione nell'elettrodomestico o nella struttura a incasso devono rimanere sempre libere.
- ▶ Accertarsi che i dati elettrici sulla targhetta siano conformi all'alimentazione elettrica. In caso contrario, rivolgersi a un elettricista.
- ▶ L'elettrodomestico funziona con corrente elettrica 220-240 Vca / 50 Hz. Oscillazioni anomale della tensione possono causare il mancato avvio dell'elettrodomestico, danni al controllo della temperatura o al compressore oppure rumori anomali durante il funzionamento. In tal caso, è opportuno montare un regolatore automatico.
- ▶ Non adoperare prese multiple o cavi di prolunga.
- ▶ Non collocare prese multiple o alimentatori portatili nella parte posteriore dell'elettrodomestico.
- ▶ Accertarsi che il cavo di alimentazione non sia intrappolato dal frigorifero. Non calpestare il cavo di alimentazione.



## AVVERTENZA!

- ▶ Per l'alimentazione elettrica utilizzare una presa separata collegata a terra e facilmente accessibile. L'elettrodomestico deve essere collegato a terra.  
Solo per il Regno Unito: il cavo di alimentazione dell'elettrodomestico è dotato di una spina a 3 conduttori (collegata a terra) adatta a una presa standard a 3 conduttori (collegata a terra). Non tagliare né smontare mai il terzo conduttore (collegamento a terra). Dopo l'installazione dell'elettrodomestico, la spina deve essere accessibile.
- ▶ non danneggiare il circuito di refrigerazione.

### Utilizzo quotidiano

- ▶ Questo elettrodomestico può essere utilizzato da bambini di almeno 8 anni, da persone con ridotte capacità fisiche, sensoriali o mentali e da persone inesperte solo sotto stretta sorveglianza o se hanno appreso le modalità di utilizzo sicuro dell'elettrodomestico e sono consapevoli dei relativi pericoli.
- ▶ I bambini di età da 3 a 8 anni possono riempire e svuotare gli elettrodomestici refrigeranti, ma non devono pulirli o installarli.
- ▶ Tenere lontano dall'elettrodomestico i bambini di età inferiore a 3 anni, a meno che non siano costantemente sorvegliati.
- ▶ Impedire ai bambini di giocare con l'elettrodomestico.
- ▶ In caso di perdite di gas refrigerante o altri gas infiammabili in prossimità dell'elettrodomestico, chiudere la valvola del gas che fuoriesce, aprire porte e finestre e non staccare la spina del cavo di alimentazione del frigorifero o di altri elettrodomestici.
- ▶ Si noti che l'elettrodomestico è impostato per il funzionamento in un intervallo ambiente specifico compreso tra 10 e 38 °C. L'elettrodomestico potrebbe non funzionare correttamente se lasciato per un lungo periodo a una temperatura superiore o inferiore all'intervallo indicato.
- ▶ Non collocare elementi instabili (oggetti pesanti, contenitori pieni d'acqua) sopra il frigorifero, per evitare lesioni personali dovute a cadute o scosse elettriche causate dal contatto con l'acqua.
- ▶ Non caricare eccessivamente gli scaffali dello sportello. Lo sportello potrebbe deformarsi, il portabottiglie potrebbe fuoriuscire o l'elettrodomestico potrebbe rovesciarsi.
- ▶ Aprire e chiudere gli sportelli solo adoperando le maniglie. La distanza tra gli sportelli e tra gli sportelli e il vano è molto limitata. Non allungare le mani in queste zone per evitare che le dita rimangano intrappolate. Aprire o chiudere gli sportelli del frigorifero solo quando non ci sono bambini nel raggio di movimento degli sportelli.





### AVVERTENZA!

- ▶ Non conservare né utilizzare materiali esplosivi o corrosivi nell'elettrodomestico o nelle vicinanze.
- ▶ Non conservare medicinali, batteri o sostanze chimiche nell'elettrodomestico. Questo apparecchio è un elettrodomestico. Si sconsiglia di conservare materiali che richiedono temperature rigide.
- ▶ Non riporre liquidi in bottiglie o lattine (né spirito ad elevata gradazione), specialmente bevande gassate, nel congelatore, perché durante il congelamento potrebbero scoppiare.
- ▶ Se la temperatura del congelatore è aumentata, controllare lo stato degli alimenti.
- ▶ Non impostare una temperatura inutilmente bassa nel vano frigorifero. Con impostazioni elevate possono crearsi temperature sotto zero. Attenzione: le bottiglie possono scoppiare.
- ▶ Non toccare i prodotti congelati con le mani bagnate (indossare i guanti). In particolare, non mangiare i ghiaccioli subito dopo averli tolti dal vano congelatore. In caso contrario, potrebbe congelarsi la bocca e potrebbero formarsi vesciche da gelo. PRONTO SOCCORSO: collocare immediatamente la zona congelata sotto l'acqua fredda corrente. Non strappare la zona congelata!
- ▶ Non toccare la superficie interna del comparto congelatore durante il funzionamento, soprattutto con le mani bagnate, poiché le mani potrebbero congelarsi sulla superficie.
- ▶ In caso di blackout o prima della pulizia, scollegare l'elettrodomestico. Attendere almeno 7 minuti prima di riavviare l'elettrodomestico, poiché un avvio frequente può danneggiare il compressore.
- ▶ Non adoperare dispositivi elettrici all'interno dei comparti dell'elettrodomestico destinati alla conservazione degli alimenti, a meno che non siano del tipo consigliato dal produttore. Manutenzione / pulizia
- ▶ Accertarsi che i bambini siano sorvegliati se effettuano la pulizia e la manutenzione.
- ▶ Scollegare l'elettrodomestico dalla rete elettrica prima di effettuare operazioni di manutenzione ordinaria. Attendere almeno 5 minuti prima di riavviare l'elettrodomestico, poiché un avvio frequente può danneggiare il compressore.

## **AVVERTENZA!**

- ▶ Quando si scollega l'elettrodomestico, mantenere la spina e non il cavo.
- ▶ Non pulire l'elettrodomestico con spazzole rigide, spazzole metalliche, detersivi in polvere, benzina, acetato di pentile, acetone e soluzioni organiche simili, soluzioni acide o alcaline. Per la pulizia adoperare un detergente speciale per frigoriferi per evitare danni.
- ▶ Non raschiare via ghiaccio e brina con oggetti appuntiti. Non adoperare spray, riscaldatori elettrici (ad es. asciugacapelli) o altre fonti di calore per evitare danni ai componenti in plastica.
- ▶ Non usare oggetti meccanici o utensili diversi da quelli consigliati dal produttore per accelerare lo sbrinamento.
- ▶ Se il cavo di alimentazione è danneggiato, deve essere sostituito dal produttore, da un tecnico dell'assistenza o da una persona con analogo qualifica per evitare rischi.
- ▶ Non tentare di riparare, smontare o modificare personalmente l'elettrodomestico. Per le riparazioni rivolgersi all'assistenza clienti.
- ▶ Eliminare la polvere sul retro dell'unità almeno una volta all'anno per scongiurare il rischio di incendio e limitare i consumi energetici.
- ▶ Non spruzzare o schizzare liquidi sull'elettrodomestico durante la pulizia.
- ▶ Per pulire questo elettrodomestico non utilizzare apparecchi a vapore.
- ▶ Non pulire i ripiani di vetro freddi con acqua calda. Un'improvvisa variazione della temperatura può causare la rottura del vetro.

## Informazioni sul gas refrigerante

### **AVVERTENZA!**

L'elettrodomestico contiene il refrigerante infiammabile ISOBUTANO (R600a). Accertarsi che il circuito del refrigerante non abbia subito danni durante il trasporto o l'installazione. Eventuali perdite di refrigerante possono causare lesioni oculari o incendi. In caso di danni, tenere lontane fonti di fiamme libere, ventilare perfettamente l'ambiente, non collegare o scollegare i cavi di alimentazione dell'elettrodomestico o di altri elettrodomestici. Informare l'assistenza clienti.

In caso di contatto con gli occhi, sciacquare immediatamente con acqua corrente e rivolgersi immediatamente a un oculista.



## Uso previsto

Questo elettrodomestico è destinato al raffreddamento e al congelamento di alimenti. È stato progettato esclusivamente per l'uso in applicazioni domestiche e simili, ad es. zone cucina del personale in negozi, uffici e altri ambienti di lavoro; in fattorie, da clienti in hotel, motel e altri ambienti di tipo residenziale, nonché in bed-and-breakfast e attività di ristorazione. Non è destinato ad usi commerciali o industriali.

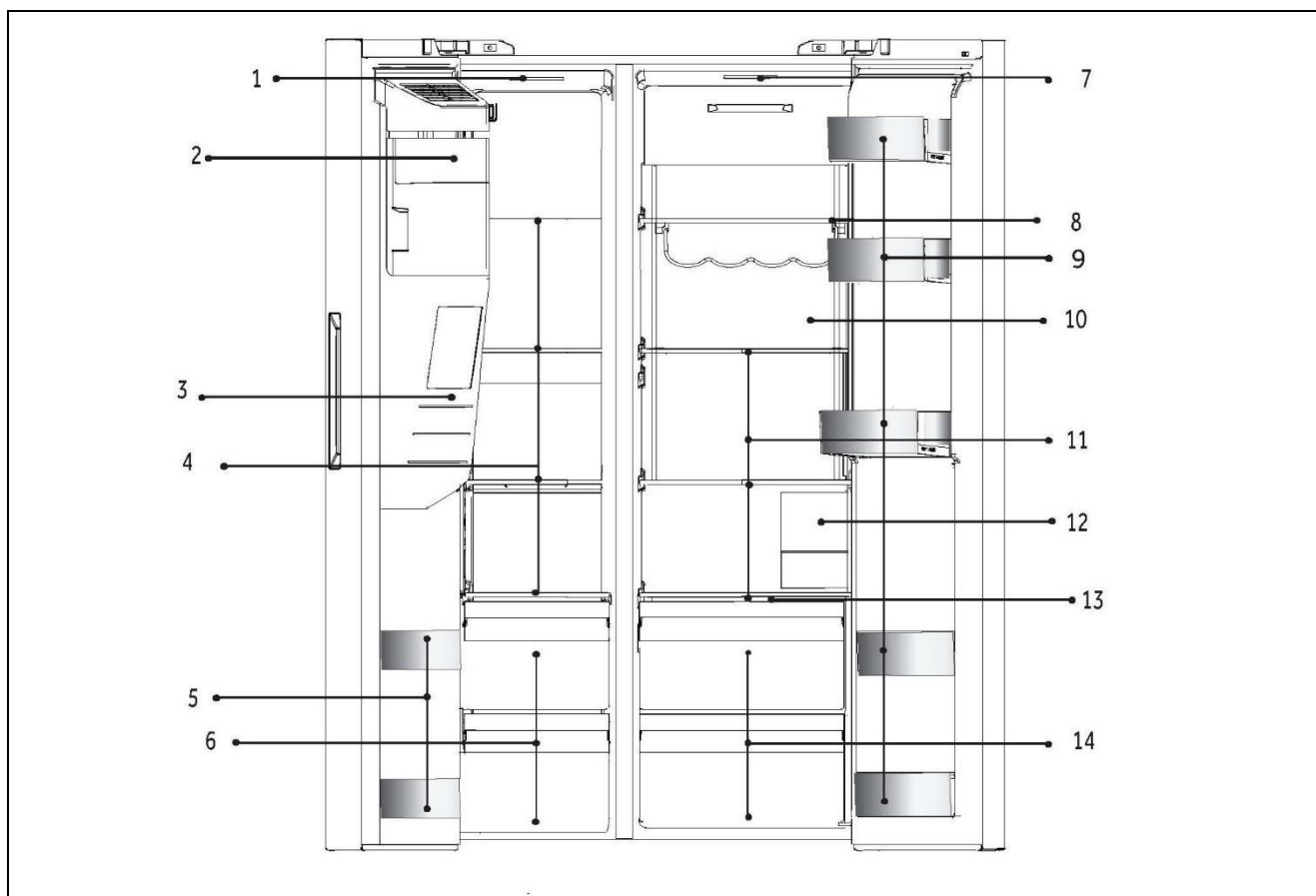
Non sono consentiti cambiamenti o modifiche all'elettrodomestico. Utilizzi errati possono causare pericoli e annullare la garanzia.

## Norme e direttive e

Questo prodotto è conforme ai requisiti di tutte le direttive CE vigenti con le corrispondenti norme armonizzate e le norme del Regno Unito che prevedono il marchio CE e UKCA.

## **i** Avviso

A causa di modifiche tecniche e della varietà dei modelli, alcune illustrazioni riportate nel presente manuale possono essere diverse dall'aspetto reale del modello acquistato.



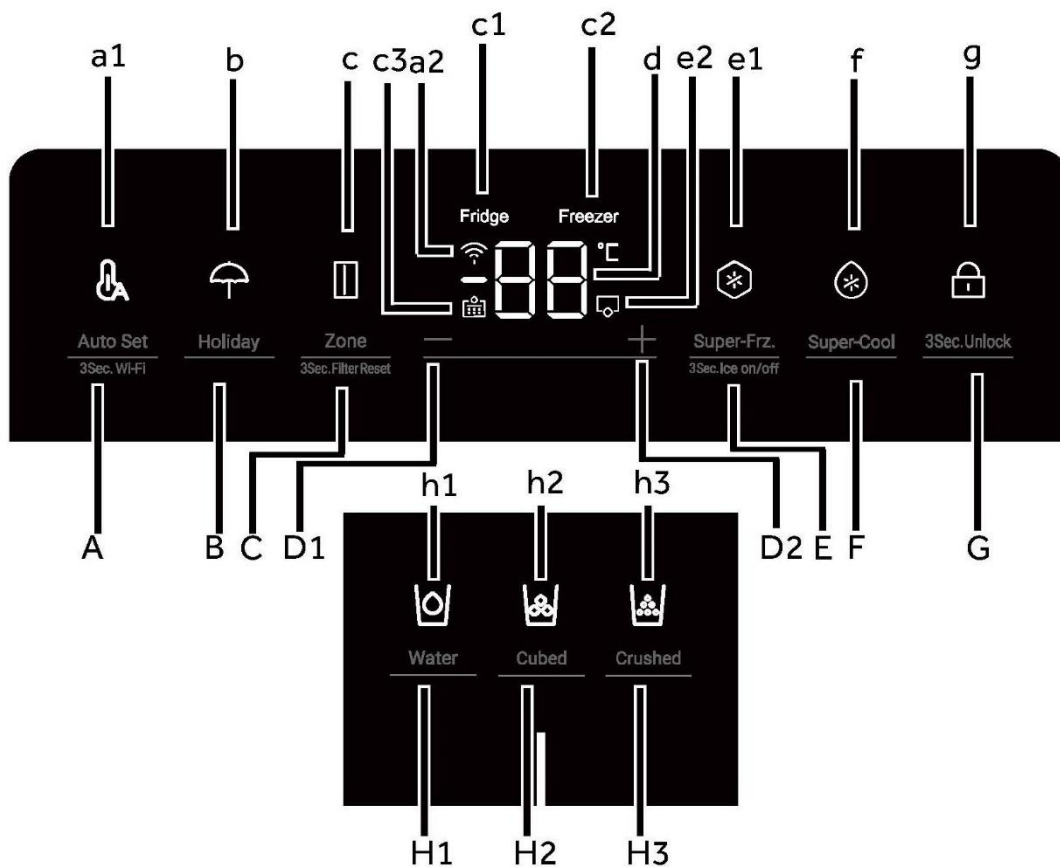
A: Scomparto congelatore

B: Comparto frigorifero

- 1 Lampada da soffitto
- 2 Macchina per il ghiaccio con contenitore per il ghiaccio
- 3 Dispenser di acqua e ghiaccio
- 4 Ripiani in vetro
- 5 Portabottiglie
- 6 Cassetti

- 7 Lampada da soffitto
- 8 Portavini
- 9 Portabottiglie
- 10 Lampada posteriore (HSW79F18DIPT)
- 11 Ripiani in vetro
- 12 Filtro dell'acqua
- 13 Piastra di copertura zona umida
- 14 Cassetti

## Pannello di controllo



Pulsanti:

A Funzione Auto Set/3Sec.Wi-Fi

B Funzione Holiday

C Selezione zona/3Sec.Filter Reset

D1 Tasto di regolazione della temperatura "-"

D2 Tasto di regolazione della temperatura "+"

E Funzione Super-Freeze/Ghiaccio acceso-sposito 3 sec.

F Funzione Super-Cool

G Selettore blocco del pannello

H1 Selettore funzione Water intake

H2 Selettore funzione Cubed ice

H3 Selettore funzione Crushed ice

Indicatori:

a1 Modalità Auto Set

a2 Funzione Wi-Fi

b Modalità Holiday

c Indicatore zona

c1 Indicatore frigorifero

c2 Indicatore congelatore

c3 Funzione reset filtro

d Visualizzazione della temperatura

e1 Modalità Super-Freeze

e2 Modalità macchina per il ghiaccio

f Modalità Super-Cool

g Blocco del pannello

h1 Funzione Water intake

h2 Funzione Cubed ice

h3 Funzione Crushed ice



### Operazioni preliminari al primo utilizzo

- ▶ Rimuovere tutti i materiali di imballo, tenerli fuori dalla portata dei bambini e smaltirli nel rispetto dell'ambiente.
- ▶ Pulire l'interno e l'esterno dell'elettrodomestico con acqua e un detersivo delicato prima di inserire gli alimenti.
- ▶ Dopo l'installazione a livello e la pulizia dell'elettrodomestico, attendere almeno 2-5 ore prima di collegarlo all'alimentazione elettrica. Vedere la sezione **INSTALLAZIONE**.
- ▶ Prima di caricare gli alimenti, preraffreddare i compartimenti con impostazioni elevate. La funzione Power-Freeze serve a raffreddare rapidamente i compartimenti.
- ▶ La temperatura del frigorifero e del congelatore viene impostata automaticamente a 5°C e -18°C rispettivamente. Queste impostazioni sono quelle consigliate. È possibile, tuttavia, cambiare manualmente queste temperature. Vedere **REGOLAZIONE DELLA TEMPERATURA**.

### Tasti a sensore

I tasti del pannello di controllo sono di tipo a sensore che rispondono toccandoli lievemente con un dito.

### Accensione e spegnimento dell'elettrodomestico

L'elettrodomestico entra in funzione non appena viene collegato all'alimentazione elettrica.

Le temperature visualizzate mostreranno le temperature impostate nel comparto.

È possibile che sia attivo il blocco del pannello.



#### Avviso

Quando l'elettrodomestico viene acceso dopo averlo staccato dall'alimentazione elettrica, il raggiungimento delle temperature corrette potrebbe richiedere fino a 12 ore.

Svuotare l'elettrodomestico prima di spegnerlo. Per spegnere l'elettrodomestico, staccare il cavo di alimentazione dalla presa di corrente.



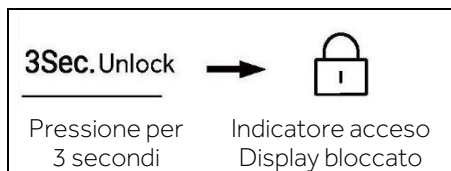
#### AVVISO

Alla prima accensione del frigorifero, l'indicatore si accende. La temperatura del frigorifero e del congelatore viene impostata automaticamente a 5 °C e -18 °C rispettivamente.

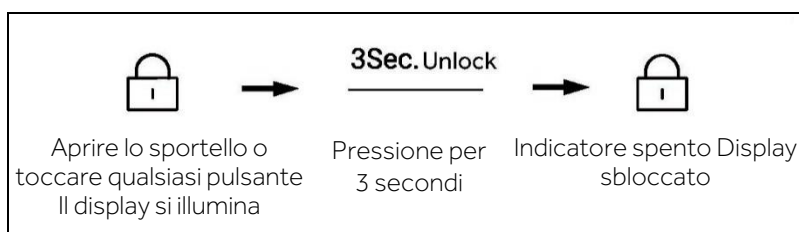


## Blocco e sblocco del pannello

1. Blocco automatico: quando lo sportello del frigorifero e lo sportello del congelatore sono chiusi e non viene eseguita alcuna operazione con i tasti entro 30 secondi, il display si spegne e si blocca automaticamente



2. Blocco manuale: quando lo schermo del display è sbloccato, premere il tasto "G" (selettore blocco pannello) e tenerlo premuto per 3 secondi, il segnalatore acustico suona una volta, l'indicatore "g" (blocco pannello) si accende e il display si blocca.



## Regolazione della temperatura

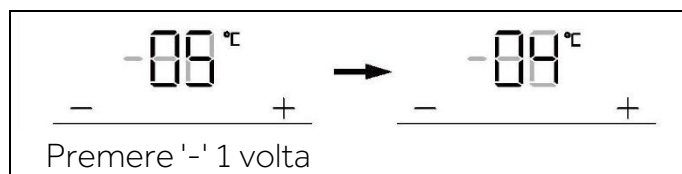
Le temperature interne dipendono dai seguenti fattori:

- ▶ Temperatura ambiente
- ▶ Frequenza di apertura dello sportello
- ▶ Quantità di alimenti conservati
- ▶ Installazione dell'elettrodomestico

## Regolazione della temperatura del frigorifero

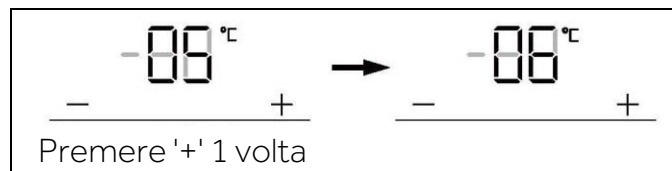
1. Quando lo schermo del display è sbloccato, premere il tasto "C" (selettore zona). Il segnale acustico viene emesso una volta, l'indicatore "c1" (Indicatore frigorifero) lampeggia, quindi si arriva alla modalità di impostazione della temperatura del frigorifero.

2. Premere ogni volta il tasto "D1" (tasto di regolazione della temperatura "-"), viene emesso un segnale acustico, la temperatura impostata del frigorifero si riduce di 1. La temperatura del frigorifero verrà visualizzata nella sequenza "9°C > 8°C > 7°C > 6°C > 5°C > 4°C > 3°C > 2°C > 1°C".



### Regolazione della temperatura del frigorifero

3. Premere ogni volta il tasto "D2" (tasto di regolazione della temperatura "+"), viene emesso un segnale acustico, la temperatura impostata del frigorifero aumenta di 1. La temperatura del frigorifero verrà visualizzata nella sequenza "1°C > 2°C > 3°C > 4°C > 5°C > 6°C > 7°C > 8°C > 9°C



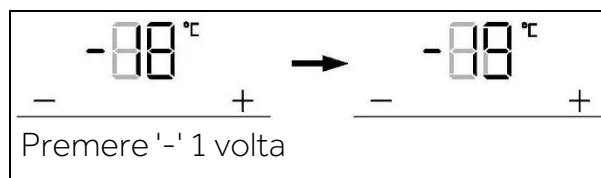
### Avviso

Dopo aver impostato la temperatura, se non viene eseguita alcuna operazione entro 5 secondi, il sistema viene determinato automaticamente e salva la temperatura impostata.

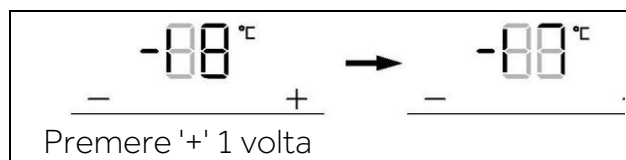
### Regolazione della temperatura del congelatore

1. Quando lo schermo del display è sbloccato, premere il tasto "C" (selettore zona). Il segnale acustico viene emesso una volta, l'indicatore "c2" (Indicatore congelatore) lampeggia, quindi si arriva alla modalità di impostazione della temperatura del congelatore.

2. Premere ogni volta il tasto "D1" (tasto di regolazione della temperatura "-"), viene emesso un segnale acustico, la temperatura impostata del congelatore si riduce di 1. La temperatura del congelatore verrà visualizzata nella sequenza "-14°C > -15°C > -16°C > -17°C > -18°C > -19°C > -20°C > -21°C > -22°C > -23°C > -24°C".



3. Premere ogni volta il tasto "D2" (tasto di regolazione della temperatura "+"), viene emesso un segnale acustico, la temperatura impostata del congelatore aumenta di 1. La temperatura del congelatore verrà visualizzata nella sequenza "-24°C > -23°C > -22°C > -21°C > -20°C > -19°C > -18°C > -17°C > -16°C > -15°C > -14°C.



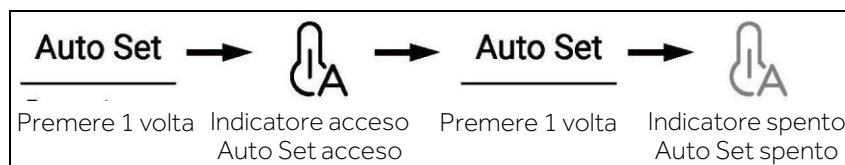
### Avviso

Dopo aver impostato la temperatura, se non viene eseguita alcuna operazione entro 5 secondi, il sistema viene determinato automaticamente e salva la temperatura impostata.



## Modalità Auto Set

1. Quando lo schermo del display è sbloccato, premere il tasto "A" (selettore modalità Auto Set), viene emesso un segnale acustico, l'indicatore "a1" (modalità Auto Set) si accende, quindi la funzione Auto Set si attiva.
2. Quando l'indicatore "a1" (modalità Auto Set) si accende, premere il tasto "A" (selettore modalità Auto Set), viene emesso un segnale acustico, l'indicatore "a1" (modalità Auto Set) si spegne, quindi la funzione Auto Set si disattiva



## Avviso

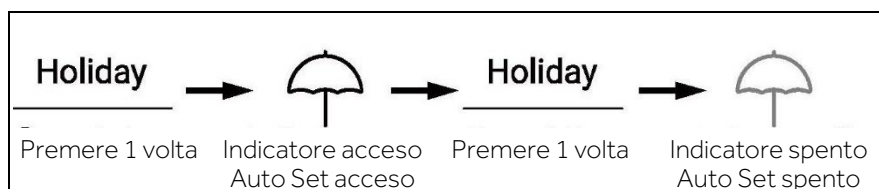
Nella modalità Auto Set, non è possibile regolare la temperatura del frigorifero o del congelatore. Se si preme il tasto "D1" (tasto di regolazione della temperatura "-") o il tasto "D2" (tasto di regolazione della temperatura "+") per regolare la temperatura del frigorifero o del congelatore, l'indicatore "a1" (indicatore Auto Set) lampeggia con un segnale acustico per indicare che questa operazione non può essere eseguita.

Nella modalità Auto Set, a causa dei diversi metodi di controllo, se è impostata la funzione "Super-Cool", "Super-Freeze" o "Holiday", l'indicatore "a1" (modalità Auto Set) si spegne, quindi la funzione Auto Set si disattiva automaticamente.

## Modalità Holiday

La modalità Holiday è progettata per i momenti in cui il frigorifero non viene utilizzato per un tempo prolungato. Quando la modalità Holiday è attivata, il congelatore è sotto controllo normale e la temperatura del frigorifero viene impostata automaticamente su 17°C. La temperatura effettiva non è superiore a 17°C, il che previene il particolare odore causato dalla sovratemperatura consentendo, allo stesso tempo, la riduzione del consumo energetico.

1. Quando lo schermo del display è sbloccato, premere il tasto "B" (selettore modalità Holiday), viene emesso un segnale acustico, l'indicatore "b" (modalità Holiday) si accende, quindi la funzione Holiday si attiva.
2. Quando l'indicatore "b" (modalità Holiday) si accende, premere il tasto "B" (selettore modalità Holiday), viene emesso un segnale acustico, l'indicatore "b" (modalità Holiday) si spegne, quindi la funzione Holiday si disattiva



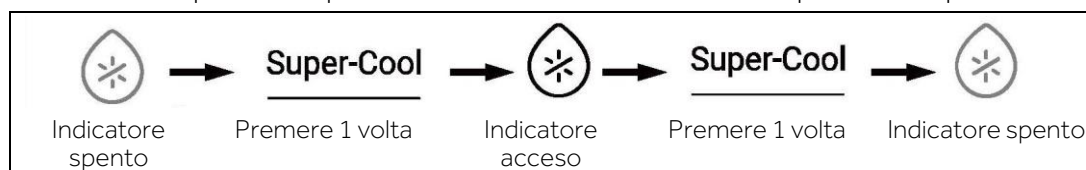
## Avviso

Nello stato Holiday, la temperatura del frigorifero non può essere regolata. Se si preme il tasto "D1" (tasto di regolazione della temperatura "-") o il tasto "D2" (tasto di regolazione della temperatura "+") per regolare la temperatura del frigorifero, l'indicatore "b" (indicatore Holiday) lampeggia con un segnale acustico per indicare che questa operazione non può essere eseguita.

Prima di utilizzare la funzione Holiday, svuotare il frigorifero per evitare che gli alimenti al suo interno vadano a male. Quando la funzione Holiday è attivata, non è possibile attivare contemporaneamente la funzione "Auto Set" o la funzione "Super-Cool".

### Funzione Super-Cool

1. Quando lo schermo del display è sbloccato, premere il tasto "F" (selettore Super-Cool), viene emesso un segnale acustico, la spia "f" (funzione Super-Cool) si accende, quindi la funzione Super-Cool si attiva.
2. Quando l'indicatore "f" (funzione Super-Cool) si accende, premere il tasto "F" (selettore Super-Cool); viene emesso un segnale acustico, l'indicatore "f" (funzione Super-Cool) si spegne e la funzione Super-Cool si disattiva.
3. Dopo l'attivazione della funzione Super-Cool, il frigorifero disattiva automaticamente la funzione quando raggiunge la condizione impostata. Se si desidera uscire manualmente, è possibile premere il tasto "F" (selettore Super-Cool) per disattivarla.



## Avviso

Nello stato Super-Cool, la temperatura del frigorifero non può essere regolata. Se si preme il tasto "D1" (tasto di regolazione della temperatura "-") o il tasto "D2" (tasto di regolazione della temperatura "+") per regolare la temperatura del frigorifero, l'indicatore "f" (indicatore Super-Cool) lampeggia con un segnale acustico per indicare che questa operazione non può essere eseguita.

Nello stato della funzione Super-Cool, la funzione Auto-set o la funzione Holiday non possono essere attivate contemporaneamente a causa delle diverse modalità di controllo. Quando si sceglie una funzione in conflitto con un'altra funzione, la funzione originale si disattiva automaticamente.



## Funzione Super-Freeze (Super-Frz)

1. Quando lo schermo del display è sbloccato, premere il tasto "E" (selettore Super-Frz.), viene emesso un segnale acustico, l'indicatore "e1" (funzione Super-Freeze) si accende, quindi la funzione Super-Freeze si attiva.
2. Quando l'indicatore "e1" (funzione Super-Freeze) si accende, premere il tasto "E" (selettore Super-Frz.), viene emesso un segnale acustico, l'indicatore "e1" (funzione Super-Freeze) si spegne e la funzione Super-Freeze viene disattivata.
3. Dopo l'attivazione della funzione Super-Freeze, il frigorifero disattiva automaticamente la funzione quando raggiunge la condizione impostata. Se si desidera uscire manualmente, è possibile premere il tasto "E" (selettore Super-Frz.) per disattivarla.



## Avviso

Nello stato Super-Freeze, la temperatura del congelatore non può essere regolata. Se si preme il pulsante "D1" (pulsante di regolazione della temperatura "-") o il pulsante "D2" (pulsante di regolazione della temperatura "+") per regolare la temperatura del congelatore, l'indicatore "e1" (indicatore Super-Frz.) lampeggia con un segnale acustico per indicare che questa operazione non può essere eseguita.

Nello stato della funzione Super-Freeze, la funzione Auto-set non può essere attivata contemporaneamente a causa delle diverse modalità di controllo. Quando si sceglie una funzione in conflitto con un'altra funzione, la funzione originale si disattiva automaticamente.

## Funzione filtro

Quando il frigorifero è in funzione per sei mesi, l'indicatore di promemoria "c3" (funzione reset filtro) si accende per ricordare agli utenti di sostituire il filtro con uno nuovo. Quando il filtro viene sostituito, tenere premuto per 3 secondi il tasto "C" (selettore funzione reset filtro) per annullare la promemoria, la temporizzazione si azzerà con il segnale acustico.

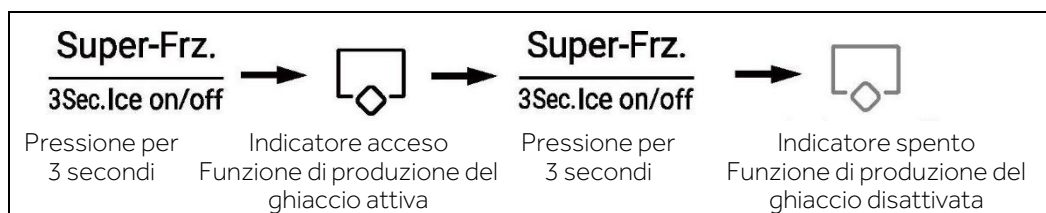


## Avviso

La durata normale del filtro è di sei mesi. Si consiglia di sostituire il filtro ogni sei mesi.

## Modalità macchina per il ghiaccio

1. In stato sbloccato, premere il tasto "E" (selettore della modalità macchina per il ghiaccio) e tenerlo premuto per 3 secondi: viene emesso un segnale acustico, l'indicatore "e2" (modalità macchina per il ghiaccio) si accende e quindi la modalità macchina per il ghiaccio si attiva.
2. Quando il tasto "e2" (modalità macchina per il ghiaccio) si accende, premere il tasto "E" (selettore della modalità macchina per il ghiaccio) e tenerlo premuto per 3 secondi: viene emesso un segnale acustico, l'indicatore "e2" (modalità macchina per il ghiaccio) si spegne e quindi la modalità macchina per il ghiaccio si disattiva



## Avviso

Quando l'elettrodomestico è acceso, la macchina per il ghiaccio è spenta per impostazione predefinita.

Quando non occorrono cubetti di ghiaccio per un periodo di tempo prolungato, disattivare la funzione macchina per il ghiaccio, svuotare il contenitore e inserire il contenitore pulito.

La macchina per il ghiaccio può essere configurata solo con il produttore o acquistata dall'addetto all'assistenza.

## Funzione Water intake

In qualsiasi stato (bloccato o sbloccato), premere il tasto "H1" (selettore funzione Water intake), viene emesso un segnale acustico, l'indicatore "h1" (funzione Water intake) si accende, quindi la funzione Water intake si attiva.



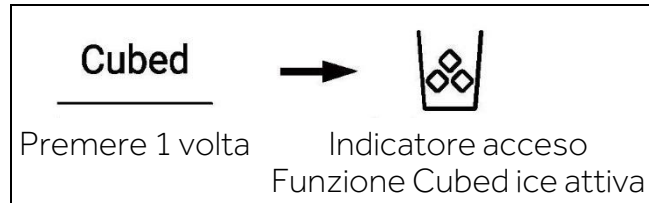
## Avviso

1. Quando l'indicatore "h1" (funzione Water intake) si accende, l'indicatore "h2" (funzione Cubed ice) e l'indicatore "h3" (funzione Crushed ice) si spengono. Dopo aver premuto la pala erogatrice, l'acqua fuoriesce dalla porta di aspirazione.
2. Quando il tempo della presa d'acqua raggiunge 150 secondi, il frigorifero emette un segnale acustico e mantiene l'acqua fino a quando il tempo non raggiunge 180 secondi, l'acqua viene interrotta e la valvola dell'acqua entra nel tempo di protezione di 200 secondi, quindi la presa dell'acqua può essere eseguita nuovamente.
3. Quando il tempo cumulativo di presa dell'acqua raggiunge 5 minuti entro 10 minuti, la valvola dell'acqua entra nel tempo di protezione di 10 minuti, quindi è possibile eseguire nuovamente la presa dell'acqua.



## Funzione Cubed ice

In qualsiasi stato (bloccato o sbloccato), premere il tasto "H2" (selettore funzione Cubed ice), viene emesso un segnale acustico, l'indicatore "h2" (funzione Cubed ice) si accende, quindi la funzione Cubed ice si attiva.

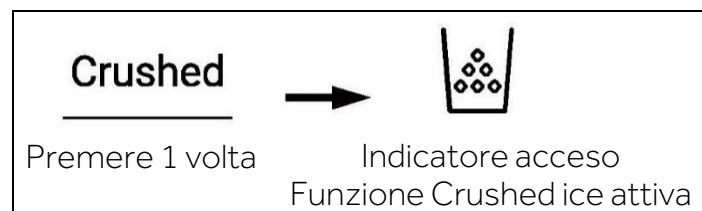


## Avviso

1. Quando l'indicatore "h2" (funzione Cubed ice) si accende, l'indicatore "h1" (funzione Water intake) e l'indicatore "h3" (funzione Crushed ice) si spengono. Dopo aver premuto il microinterruttore del distributore, i cubetti di ghiaccio escono dalla porta di aspirazione.
2. Quando la macchina del ghiaccio viene collegato per la prima volta all'elettricità per funzionare, la funzione Cubed ice è disattivata per impostazione predefinita.
3. Premere il microinterruttore dell'erogatore, la relativa spia si accende con la copertura del microinterruttore aperta. Quindi, il motore del tritaghiaccio inizia a ruotare in senso antiorario per spingere i cubetti di ghiaccio. Allentare il microinterruttore dell'erogatore; il motore del tritaghiaccio si arresta, la copertura dell'erogatore si chiude e la spia si spegne dopo 5 secondi.
4. Nello stato Cubed ice, quando il relativo tempo è superiore a 50 secondi, viene emesso un segnale acustico che inizia ad avvisare gli utenti (con piccoli colpi) di disattivarlo. Quando il tempo raggiunge 1 minuto, la funzione Cubed ice viene forzata a fermarsi ed è efficiente quando l'interruttore viene premuto la volta successiva.
5. Durante la funzione Cubed ice, se si apre lo sportello del frigorifero, il motore che eroga ghiaccio si ferma, con la copertura dell'erogatore chiusa, la spia dell'erogatore spenta e la funzione Cubed ice disattivata.
6. È vietato avviare la produzione del ghiaccio con lo sportello del frigorifero aperto.

## Funzione Crushed ice

In qualsiasi stato (bloccato o sbloccato), premere il tasto "H3" (selettore funzione Crushed ice), viene emesso un segnale acustico, l'indicatore "h3" (funzione Crushed ice) si accende, quindi la funzione Crushed ice si attiva.



## Avviso

Quando l'indicatore "h3" (funzione Crushed ice) si accende, l'indicatore "h1" (funzione Water intake) e l'indicatore "h2" (funzione Cubed ice) si spengono. Dopo aver premuto il microinterruttore del distributore, il ghiaccio tritato esce dalla porta di aspirazione.

Premere il microinterruttore dell'erogatore, la relativa spia si accende con la copertura del microinterruttore aperta. Quindi, il motore per tritare il ghiaccio inizia a ruotare in senso orario per spingere i cubetti di ghiaccio. Allentare il microinterruttore dell'erogatore; il motore del tritaggiaccio si arresta, la copertura dell'erogatore si chiude e la spia si spegne dopo 5 secondi.

Nello stato Crushed ice, quando il relativo tempo è superiore a 50 secondi, viene emesso un segnale acustico che inizia ad avvisare gli utenti (con piccoli colpi) di disattivarlo. Quando il tempo raggiunge 1 minuto, la funzione Crushed ice viene forzata a fermarsi ed è efficiente quando l'interruttore viene premuto la volta successiva.

Durante la funzione Crushed ice, se si apre lo sportello del frigorifero, il motore che eroga ghiaccio si ferma, con la copertura dell'erogatore chiusa, la spia dell'erogatore spenta e la funzione Crushed ice disattivata.

È vietato avviare il tritaggiaccio con lo sportello del frigorifero aperto.

### Allarme sportello aperto

Se uno sportello viene tenuto aperto troppo a lungo o lo sportello non è chiuso completamente, il frigorifero emette un segnale acustico a intervalli prestabiliti per ricordare all'utente di chiudere lo sportello in tempo.

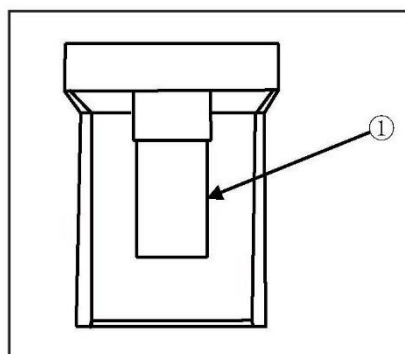
### Memoria spegnimento

Viene ricordato lo stato di funzionamento istantaneo dello spegnimento. Dopo la riaccensione, la funzione si baserà ancora sull'impostazione attiva prima dello spegnimento

### Utilizzo dell'erogatore di ghiaccio e acqua

Premere ripetutamente il tasto di selezione dell'erogatore finché la spia sopra l'indicatore desiderato non si accende.

Premere la paletta erogatrice (1) con un bicchiere o un altro contenitore per erogare ghiaccio a cubetti, acqua o ghiaccio tritato.

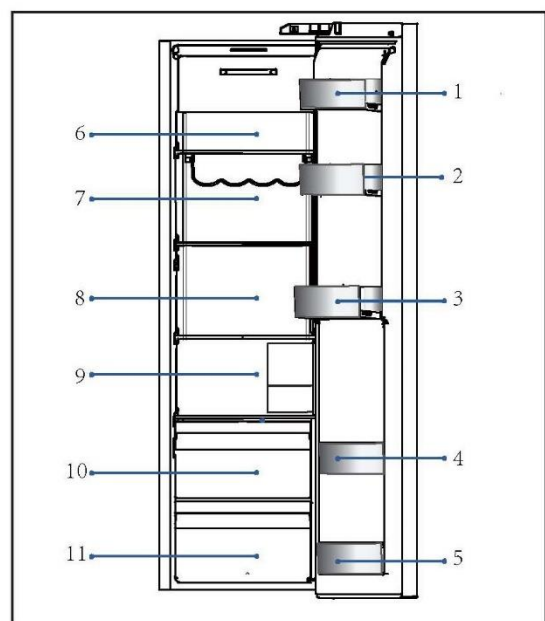


## SUGGERIMENTO PER LA CONSERVAZIONE DI ALIMENTI FRESCHI

### Conservazione nel comparto frigorifero

1. Mantenere nel frigorifero una temperatura inferiore a 5 °C.
2. Lasciare raffreddare gli alimenti caldi fino a quando raggiungono la temperatura ambiente prima di conservarli nell'elettrodomestico.
3. Lavare e asciugare gli alimenti prima di conservarli nel frigorifero.
4. Per evitare alterazioni dell'odore o del sapore, sigillare adeguatamente gli alimenti da conservare.
5. Non conservare alimenti in quantità eccessiva. Per un raffreddamento migliore e più omogeneo, lasciare spazio tra gli alimenti per consentire il passaggio dell'aria fredda.
6. È preferibile conservare nella parte anteriore del ripiano gli alimenti consumati quotidianamente.
7. Lasciare spazio tra gli alimenti e le pareti interne, per facilitare il passaggio dell'aria. In particolare, non riporre alimenti a contatto con la parete posteriore, perché potrebbero congelarsi. Evitare il contatto diretto degli alimenti (specialmente se oleosi o acidi) con il rivestimento interno, poiché l'olio e l'acido possono corroderlo. Pulire immediatamente lo sporco oleoso o acido.
8. Scongelare gli alimenti surgelati nel comparto frigorifero. In questo modo, è possibile utilizzare gli alimenti congelati per ridurre la temperatura nel comparto e risparmiare energia.
9. Il processo di invecchiamento di frutta e verdura come zucchine, meloni, papaia, banane, ananas ecc. può essere accelerato nel frigorifero. Per tale motivo, è sconsigliabile conservare questi alimenti nel frigorifero. Un breve periodo di conservazione in frigorifero, tuttavia, può accelerare la maturazione di frutti molto acerbi. Conservare a temperatura ambiente anche cipolle, aglio, zenzero e altri tuberi.
10. Eventuali odori sgradevoli all'interno del frigorifero indicano che qualcosa si è rovesciato ed è necessario pulire l'elettrodomestico. Vedere CURA E PULIZIA.
11. È preferibile collocare alimenti diversi in aree diverse, a seconda delle loro proprietà:

- 1-Burro, formaggi, ecc.
- 2-Uova, cibo in scatola, spezie, ecc.
- 3/4/5-Bevande e bibite imbottigliate.
- 6-Cibi in salamoia, cibo in scatola, ecc.
- 7/8-Carne, pesce, alimenti crudi
- 9-Lattine, latticini, ecc.
- 10-Frutta, verdura, lattuga, ecc.
- 11-Carne cotta, salsicce ecc.



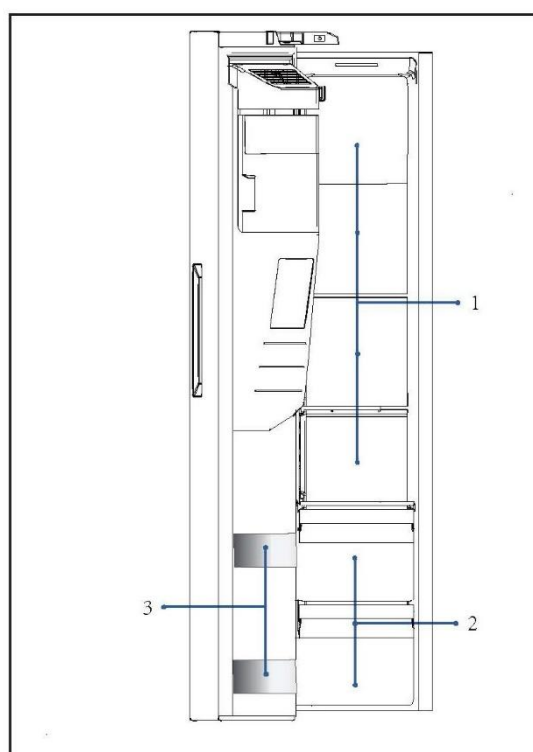


## SUGGERIMENTO PER LA CONSERVAZIONE DI ALIMENTI FRESCI

### Conservazione nel vano congelatore

1. Nel congelatore mantenere la temperatura di  $-18^{\circ}\text{C}$ .
2. Attivare la funzione Super-Freeze 12 ore prima di congelare altri alimenti; per alimenti in quantità limitata, bastano 4-6 ore.
3. Lasciare raffreddare gli alimenti caldi fino a quando raggiungono la temperatura ambiente prima di conservarli nel comparto congelatore.
4. Gli alimenti tagliati in piccole porzioni si congelano e si scongelano più rapidamente. Il peso consigliato per ogni porzione è inferiore a 2,5 kg.
5. È preferibile confezionare gli alimenti prima di collocarli nel congelatore. Per evitare che i sacchetti si attacchino tra loro, la parte esterna della confezione deve essere asciutta. I materiali per il confezionamento devono essere inodori, ermetici, non velenosi e non tossici.
6. Per evitare di superare la scadenza dei periodi di conservazione, annotare sulla confezione la data di congelamento, il limite di tempo e il nome dell'alimento in base ai periodi di conservazione dei vari alimenti.
7. **AVVERTENZA!** Acidi, alcali, sale ecc. potrebbero corrodere la superficie interna del congelatore. Non collocare alimenti contenenti tali sostanze (ad es. pesce di mare) a contatto diretto con la superficie interna. Eliminare immediatamente l'acqua salata dal congelatore.
8. Non superare i tempi di conservazione degli alimenti consigliati dai produttori. Estrarre dal congelatore solo la quantità di alimenti necessaria.
9. È preferibile collocare alimenti diversi in aree diverse, a seconda delle loro proprietà:

- 1- Articoli più leggeri come gelati, verdure, pane, ecc.
- 2- Porzioni di cibo abbondanti/più pesanti come tagli di carne da cuocere
- 3- Pizza, etc.







## AVVISO: CONSERVAZIONE

1. Per ottimizzare il raffreddamento, lasciare uno spazio libero di almeno 10 mm tra gli alimenti e il sensore.
2. Per ottimizzare il raffreddamento, lasciare libero il cassetto più in basso nell'elettrodomestico quando è in funzione.
3. Gli alimenti che contengono ghiaccio (come il gelato) devono essere conservati all'interno del comparto congelatore invece che nei portabottiglie. Gli sbalzi di temperatura a cui sono esposti i portabottiglie, dovuti all'apertura e alla chiusura dello sportello, possono scongelare gli alimenti.
4. Consumare rapidamente gli alimenti scongelati. Gli alimenti scongelati non possono essere ricongelati, a meno che non vengano cotti.
5. Non caricare troppi alimenti freschi nel vano congelatore. Fare riferimento alla capacità di congelamento del congelatore - Vedere DATI TECNICI o controllare i dati sulla targhetta.
6. Gli alimenti possono essere conservati nel congelatore a una temperatura di almeno -18 °C per 2-12 mesi, a seconda delle loro proprietà (ad es. carne: 3-12 mesi, verdure: 6-12 mesi)
7. Quando si congelano alimenti freschi, evitare che entrino a contatto con alimenti già congelati. In caso contrario, potrebbero scongelarsi.
8. Scongelare gli alimenti congelati in frigorifero. In questo modo, è possibile utilizzare gli alimenti congelati per ridurre la temperatura nel comparto e risparmiare energia.

### **Quando si conservano alimenti surgelati, attenersi alle linee guida indicate di seguito:**

1. Per il tempo di conservazione degli alimenti, attenersi sempre alle linee guida dei produttori. Non ignorare queste linee guida!
2. Ridurre il più possibile il tempo tra l'acquisto e la conservazione per preservare la qualità degli alimenti.
3. Acquistare alimenti congelati che devono essere conservati a una temperatura di -18°C o inferiore.
4. Evitare di acquistare alimenti con ghiaccio o brina sulla confezione, in quanto potrebbero essere stati parzialmente scongelati e ricongelati; l'aumento della temperatura riduce la qualità degli alimenti.

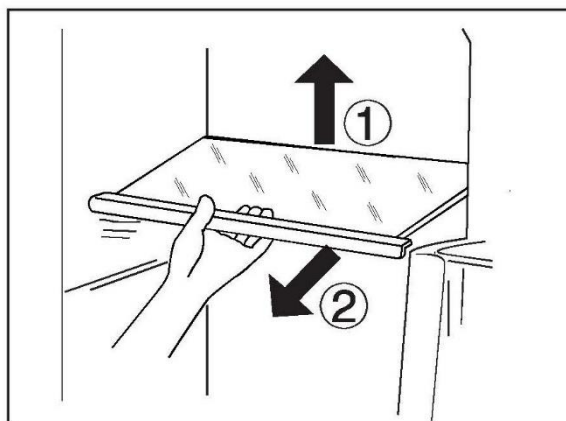


## Suggerimenti per il risparmio energetico

- ▶ Accertarsi che l'elettrodomestico sia adeguatamente ventilato (v. INSTALLAZIONE).
- ▶ Non installare l'elettrodomestico esposto alla luce diretta del sole o in prossimità di fonti di calore (ad es. stufe o radiatori).
- ▶ Evitare che la temperatura dell'elettrodomestico sia inutilmente bassa. Riducendo la temperatura impostata nell'elettrodomestico, il consumo energetico aumenta.
- ▶ Funzioni come POWER-FREEZE consumano più energia.
- ▶ Attendere che gli alimenti caldi si raffreddino prima di collocarli nell'elettrodomestico.
- ▶ Aprire lo sportello dell'elettrodomestico senza spalancarlo e per il più breve tempo possibile.
- ▶ Per evitare ostruzioni del flusso d'aria, non riempire eccessivamente l'elettrodomestico.
- ▶ Evitare l'ingresso di aria nelle confezioni di alimenti.
- ▶ Mantenere pulite le guarnizioni dello sportello in modo che si chiuda sempre perfettamente
- ▶ Scongelare gli alimenti surgelati nel comparto frigorifero.
- ▶ Per ottimizzare il risparmio energetico, lasciare i cassetti, i contenitori per gli alimenti e i ripiani nelle posizioni di fabbrica e collocare gli alimenti il più possibile distanti tra loro senza ostruire l'uscita del condotto.

### Ripiani regolabili

1. L'altezza dei ripiani può essere regolata in base alle esigenze.
2. Per spostare un ripiano, rimuoverlo sollevandone il bordo posteriore ① ed estrarlo ②.
3. Per reinstallarlo, collocarlo sulle alette su entrambi i lati e spingerlo dentro fino in fondo in modo che la parte posteriore del ripiano sia fissata all'interno delle feritoie laterali

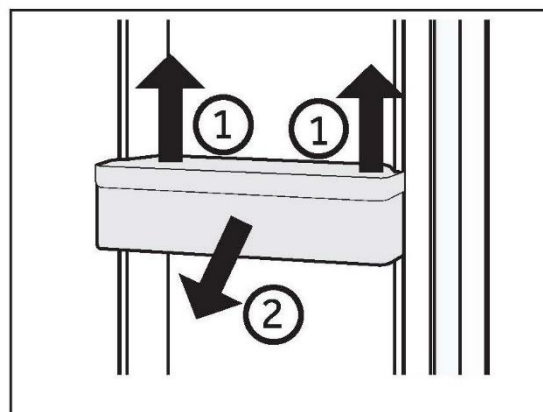


### **i** AVVISO

Accertarsi che tutte le estremità del ripiano siano a livello.

### Portabottiglie/Cassetti incassati nello sportello rimovibili

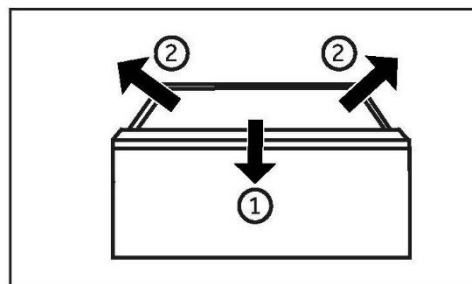
1. I portabottiglie/cassetti incassati nello sportello possono essere rimossi per pulirli:
2. Tenere con le mani entrambi i lati del cassetto incassato/portabottiglie, sollevarlo ① ed estrarlo ②.
3. Per inserire il portabottiglie/cassetto incassato nello sportello, seguire la procedura inversa



### Cassetto rimovibile

Per rimuovere il cassetto, estrarlo al massimo ①, sollevarlo e toglierlo ②.

Per inserire il cassetto, seguire la procedura inversa.



### Contenitore del ghiaccio

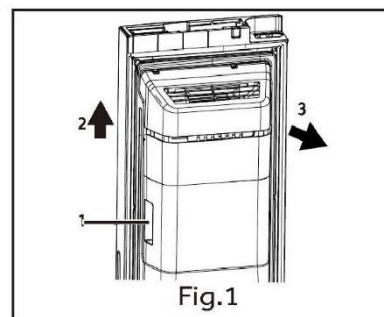
#### Interruzione della produzione di ghiaccio

Se ghiaccio o acqua non sono necessari per un lungo periodo di tempo, è possibile chiudere la valvola tra l'alimentazione idrica e l'elettrodomestico.

La ghiacciaia deve essere pulita, asciugata e riposta nell'elettrodomestico per evitare la formazione di odori.

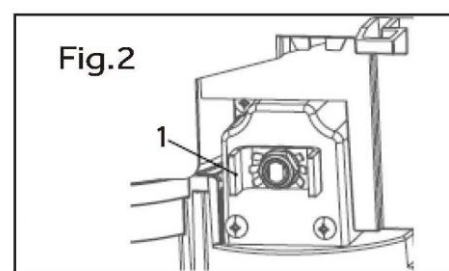
### Rimozione del contenitore del ghiaccio

1. Afferrare entrambe le maniglie laterali.
2. Sollevare il contenitore.
3. Estrarre il contenitore.



### Reinstallazione del contenitore del ghiaccio

Per reinstallare il contenitore del ghiaccio, la staffa a U dietro il contenitore del ghiaccio (1 in Fig.2) deve essere allineata con la corrispondente struttura metallica. Seguire i passaggi della Fig. 1 nell'ordine inverso.



## **i** AVVISO

L'umidità può condensare e congelare la ghiacciaia nella sua posizione.



### AVVERTENZA!

Prima di effettuare la pulizia, staccare la spina di alimentazione dell'elettrodomestico.

#### Pulizia

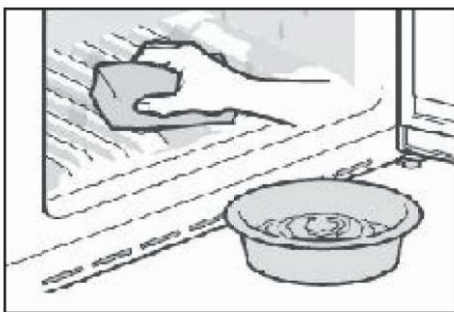
Pulire l'elettrodomestico quando è vuoto o contiene pochi alimenti.

Per una corretta manutenzione e per evitare cattivi odori degli alimenti conservati, pulire l'elettrodomestico ogni quattro settimane.



### AVVERTENZA!

- ▶ Non pulire l'elettrodomestico con spazzole rigide, spazzole metalliche, detersivi in polvere, benzina, acetato di pentile, acetone e soluzioni organiche simili, soluzioni acide o alcaline. Per la pulizia adoperare un detersivo speciale per frigoriferi per evitare danni.
- ▶ Non spruzzare o schizzare liquidi sull'elettrodomestico durante la pulizia.
- ▶ Per pulire questo elettrodomestico non utilizzare apparecchi a vapore.
- ▶ Non pulire i ripiani di vetro freddi con acqua calda. Un'improvvisa variazione della temperatura può causare la rottura del vetro.
- ▶ Non toccare la superficie interna del comparto congelatore, soprattutto con le mani bagnate, poiché le mani potrebbero congelarsi sulla superficie.
- ▶ Se la temperatura aumenta, controllare lo stato degli alimenti congelati.



- ▶ Tenere sempre pulita la guarnizione dello sportello.
  - ▶ Pulire l'interno e l'alloggiamento dell'elettrodomestico con una spugna imbevuta di acqua calda e detersivo neutro.
1. Strofinare l'interno e l'esterno del frigorifero (compresi la guarnizione dello sportello, il cassetto incassato nello sportello, i ripiani di vetro, i comparti ecc.) con un panno morbido o una spugna imbevuta di acqua calda (è possibile aggiungere un detersivo neutro).
  2. In presenza di liquidi versati, rimuovere tutte le parti contaminate, sciacquarle sotto l'acqua corrente, asciugarle e ricollocarle nel frigorifero.
  3. In caso di versamenti di alimenti cremosi (ad es. panna o gelato sciolto), rimuovere tutte le parti contaminate, lasciarle un po' di tempo in acqua calda a circa 40°C, poi sciacquarle sotto l'acqua corrente, asciugarle e ricollocarle nel frigorifero.
  4. Nel caso in cui rimangano intrappolati piccoli oggetti all'interno del frigorifero (tra i ripiani o i cassette), toglierli con una spazzolina morbida. Se non si riesce a raggiungere l'oggetto, rivolgersi all'assistenza Haier
- ▶ Sciacquare e asciugare con un panno morbido.
  - ▶ Non lavare i componenti dell'elettrodomestico in lavastoviglie.
  - ▶ Attendere almeno 5 minuti prima di riavviare l'elettrodomestico, poiché un avvio frequente può danneggiare il compressore.

#### Sbrinamento

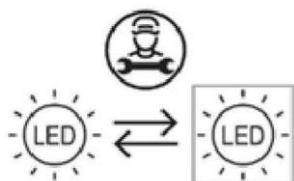
Lo sbrinamento dei vani frigorifero e congelatore avviene automaticamente e non richiede operazioni manuali.

## Sostituzione delle lampade a LED


**AVVERTENZA!**

La lampada a LED deve essere sostituita solo dal produttore o da un tecnico dell'assistenza autorizzato.

La lampada utilizza una sorgente luminosa a LED che riduce i consumi energetici e garantisce una lunga durata. In caso di anomalie, rivolgersi all'assistenza clienti. V. ASSISTENZA CLIENTI.



La sorgente luminosa (solo LED) può essere sostituita esclusivamente da un elettricista professionista.

Questo prodotto contiene una fonte luminosa con efficienza energetica di classe G.

Comparto	Tensione	Classe di efficienza energetica	Modello
Frigorifero	12 V	G	HSW59F18DIMM
Congelatore	12 V	G	HSW79F18DIPT
Lampada posteriore	12 V	G	HSW79F18DIPT

### Pulizia del contenitore del ghiaccio

Pulire periodicamente il contenitore del ghiaccio con acqua calda, in particolare se i cubetti di ghiaccio sono vecchi e stantii. Asciugare bene il contenitore prima di reinserirlo nell'elettrodomestico per evitare che i cubetti di ghiaccio si attacchino alle pareti.

### Inutilizzo per lunghi periodi

Se l'elettrodomestico non verrà adoperato per lunghi periodi e non verrà utilizzata solo la funzione Holiday per il frigorifero:

- ▶ Estrarre gli alimenti.
- ▶ Scollegare il cavo di alimentazione.
- ▶ Pulire l'elettrodomestico come descritto in precedenza.
- ▶ Lasciare aperti gli sportelli per evitare la produzione di cattivi odori all'interno.


**AVVISO**

Spegnere l'elettrodomestico solo se è strettamente necessario.



## Spostamento dell'elettrodomestico

1. Togliere tutti gli alimenti e staccare la spina dell'elettrodomestico.
2. Fissare con nastro adesivo i ripiani e gli altri componenti mobili presenti nel frigorifero e nel congelatore.
3. Non inclinare il frigorifero oltre 45°, altrimenti il sistema di refrigerazione potrebbe danneggiarsi.



### AVVERTENZA!

- ▶ Non sollevare l'elettrodomestico mantenendolo per le maniglie dello sportello.
- ▶ Non collocare mai l'elettrodomestico orizzontalmente a terra.

## Sostituzione del filtro

Il filtro dell'acqua deve essere sostituito ogni 6 mesi circa, quando si accende l'indicatore "c3" (funzione reset filtro).

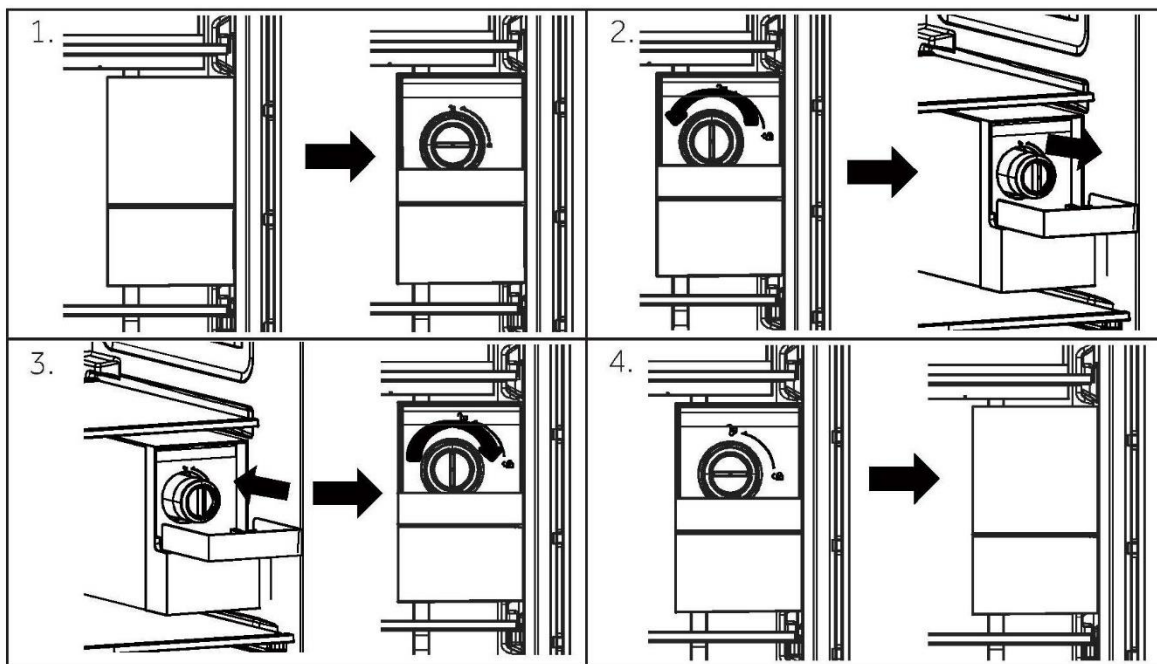
Per acquistare un filtro dell'acqua sostitutivo:

- Utilizzare la cartuccia sostitutiva: HRXWF.
- Recarsi presso il rivenditore o distributore locale. Per ulteriore assistenza, visitare il nostro sito Web all'indirizzo [www.haierspares.eu](http://www.haierspares.eu)



### Avviso

- ▶ La sostituzione del filtro dell'acqua fa defluire una piccola quantità d'acqua (circa 1 oncia o 25 cc).
  - ▶ Avvolgere un panno attorno all'estremità anteriore della copertura del filtro dell'acqua per raccogliere l'acqua che fuoriesce. Tenere il filtro dell'acqua in posizione verticale, una volta rimosso, per evitare che l'acqua residua fuoriesca dal filtro.
1. Premere verso il basso al centro della copertura superiore e abbassare.
  2. Rimuovere il filtro dell'acqua monouso.
  3. Sostituire con un nuovo filtro dell'acqua. Inserire il nuovo filtro nella testa del filtro e ruotarlo in senso orario finché la freccia sul nuovo filtro non si allinea con la freccia sulla testa del filtro. Riportare il filtro nello scomparto.
  4. Chiudere la copertura del filtro dell'acqua.



5. Tenere premuto il tasto 3Sec. Filter Reset per 3 secondi.
6. Erogare acqua per circa 5 minuti per rimuovere l'aria intrappolata e gli agenti contaminanti.



## ATTENZIONE!

- ▶ La mancata sostituzione dei filtri quando necessario o l'utilizzo di filtri dell'acqua non autorizzati da Haier possono causare perdite dalla cartuccia del filtro e provocare danni materiali.

### Filtro dell'acqua

#### Modello: Haier HRXWF

- ▶ Sistema certificato da IAPMO R&T secondo NSF/ANSI Norme 42, 53, 401 e P473 per la riduzione dei reclami specificati sulla scheda tecnica e su [iapmort.org](http://iapmort.org).
- ▶ Le prestazioni effettive possono variare in base alle condizioni idriche locali.

### Linee guida applicative/Parametri di approvvigionamento idrico

Portata di servizio: 0,5 gpm (1,89 giri/min)

Alimentazione dell'acqua: acqua potabile

Pressione dell'acqua: 25-120 psi (172-827 kPa)

Temperatura dell'acqua: 0,6°C-38°C

Capacità: 170 galloni (643,5 litri)





È essenziale che i requisiti di installazione, manutenzione e sostituzione del filtro consigliati dal produttore siano rispettati affinché il prodotto funzioni come indicato. Vedere il Manuale di installazione per informazioni sulla garanzia.

### **Avviso**

Sebbene il test sia stato eseguito in condizioni di laboratorio standard, le prestazioni effettive possono variare. Cartuccia sostitutiva: HRXWF Per i costi stimati degli elementi sostitutivi, visitare il nostro sito Web all'indirizzo [www.haierespares.eu](http://www.haierespares.eu).

### **AVVERTENZA!**

- ▶ Per ridurre il rischio associato all'ingestione di contaminanti:
- ▶ Non utilizzare con acqua microbiologicamente non sicura o di qualità ignota in assenza di un'adeguata disinfezione a monte e a valle dell'impianto. Impianti certificati per riduzione di sporocisti possono essere utilizzati con acqua disinfettata che può contenere sporocisti filtrabili.

### **Avviso**

**Per ridurre il rischio di perdite d'acqua o allagamenti e per garantire prestazioni ottimali del filtro:**

- ▶ Leggere e seguire le istruzioni per l'uso prima dell'installazione e dell'impiego di questo sistema.
- ▶ L'installazione e l'uso DEVONO essere conformi a tutti i codici idraulici statali e locali.
- ▶ Non installare se la pressione dell'acqua supera 120 psi (827 kPa). Se la pressione dell'acqua supera 80 psi (552 kPa), è necessario installare una valvola limitatrice di pressione. In caso di dubbi su come controllare la pressione dell'acqua, contattare un idraulico professionista.
- ▶ Non installare dove possono verificarsi condizioni di colpo d'ariete. Se esistono condizioni di colpo d'ariete è necessario installare un dispositivo di arresto del colpo d'ariete. In caso di dubbi su come controllare tale condizione, contattare un idraulico professionista.
- ▶ Non installare su linee di alimentazione dell'acqua calda. La temperatura massima dell'acqua di esercizio di questo sistema di filtraggio è di 38°C.
- ▶ Proteggere il filtro dal gelo. Scaricare il filtro quando le temperature scendono sotto i 0,6°C.
- ▶ Sostituire la cartuccia del filtro monouso ogni sei mesi o prima se si osserva una notevole riduzione della portata d'acqua.
- ▶ La mancata sostituzione della cartuccia del filtro monouso agli intervalli consigliati può comportare una riduzione delle prestazioni del filtro e crepe nell'alloggiamento del filtro, causando perdite d'acqua o allagamenti.
- ▶ Questo sistema è stato testato secondo NSF/ANSI 42, 53, 401 e P473 per la riduzione delle sostanze elencate di seguito. La concentrazione delle sostanze indicate nell'acqua in ingresso nel sistema è stata ridotta a una concentrazione inferiore o uguale al limite consentito per l'acqua in uscita dal sistema, come specificato in NSF/ANSI 42, 53, 401 e P473.



Molti problemi possono essere risolti personalmente senza particolari competenze. In caso di problemi, consultare tutte le soluzioni possibili indicate e attenersi alle seguenti istruzioni prima di contattare l'assistenza post-vendita. V. ASSISTENZA CLIENTI.



### AVVERTENZA!

- ▶ Prima di effettuare la manutenzione dell'elettrodomestico, spegnerlo e staccare la spina dalla presa di corrente.
- ▶ La manutenzione delle apparecchiature elettriche deve essere effettuata solo da elettricisti qualificati, dal momento che eventuali riparazioni improprie possono causare danni notevoli.
- ▶ Se il cavo di alimentazione è danneggiato, deve essere sostituito unicamente dal produttore, da un tecnico dell'assistenza o da una persona con analogha qualifica per evitare rischi.

Problema	Causa possibile	Soluzione possibile
Il compressore non funziona.	<ul style="list-style-type: none"> <li>• La spina non è collegata alla presa di corrente.</li> <li>• L'elettrodomestico sta effettuando il ciclo di sbrinamento</li> </ul>	<ul style="list-style-type: none"> <li>• Collegare la spina alla presa di corrente.</li> <li>• Ciò è normale per lo sbrinamento automatico</li> </ul>
L'elettrodomestico si aziona frequentemente o per un periodo di tempo troppo lungo.	<ul style="list-style-type: none"> <li>• La temperatura interna o esterna è troppo elevata.</li> <li>• L'elettrodomestico è rimasto spento per un certo periodo di tempo.</li> <li>• Uno sportello dell'elettrodomestico non è chiuso ermeticamente.</li> <li>• Lo sportello è stato aperto troppo spesso o troppo a lungo.</li> <li>• L'impostazione della temperatura del comparto congelatore è troppo bassa.</li> <li>• La guarnizione dello sportello è sporca, usurata, danneggiata o inadeguata.</li> <li>• Non è garantita la circolazione dell'aria necessaria.</li> </ul>	<ul style="list-style-type: none"> <li>• In questo caso è normale che l'elettrodomestico rimanga in funzione più a lungo.</li> <li>• Il raffreddamento completo dell'elettrodomestico normalmente richiede 8-12 ore.</li> <li>• Chiudere lo sportello o il cassetto e accertarsi che l'elettrodomestico sia a livello e che gli alimenti o i contenitori non urtino lo sportello.</li> <li>• Non aprire lo sportello o il cassetto troppo spesso.</li> <li>• Scegliere un'impostazione della temperatura più alta fino a quando la temperatura del frigorifero è soddisfacente. Per stabilizzare la temperatura del frigorifero occorrono 24 ore.</li> <li>• Pulire la guarnizione dello sportello o del cassetto o farla sostituire dall'assistenza clienti.</li> <li>• Garantire un'adeguata ventilazione.</li> </ul>



Problema	Causa possibile	Soluzione possibile
L'interno del frigorifero è sporco e/o si sentono cattivi odori.	<ul style="list-style-type: none"><li>• L'interno del frigorifero deve essere pulito.</li><li>• In frigorifero vengono conservati alimenti che producono un odore intenso.</li></ul>	<ul style="list-style-type: none"><li>• Pulire la parte interna del frigorifero.</li><li>• Avvolgere completamente gli alimenti.</li></ul>
L'elettrodomestico emette suoni anomali.	<ul style="list-style-type: none"><li>• L'elettrodomestico non è a livello.</li><li>• L'elettrodomestico urta qualche oggetto vicino.</li></ul>	<ul style="list-style-type: none"><li>• Regolare i piedini per collocare l'elettrodomestico a livello.</li><li>• Rimuovere gli oggetti attorno all'elettrodomestico.</li></ul>
La temperatura nell'elettrodomestico non è sufficientemente bassa.	<ul style="list-style-type: none"><li>• La temperatura impostata è troppo alta. Sono stati collocati alimenti troppo caldi.</li><li>• Sono stati collocati troppi alimenti contemporaneamente.</li><li>• Gli alimenti sono troppo vicini tra loro.</li><li>• Uno sportello o un cassetto dell'elettrodomestico non è chiuso bene.</li><li>• Lo sportello o il cassetto è stato aperto troppo spesso o troppo a lungo.</li></ul>	<ul style="list-style-type: none"><li>• Reimpostare la temperatura.</li><li>• Gli alimenti devono essere sempre raffreddati prima di conservarli.</li><li>• Non conservare troppi alimenti.</li><li>• Lasciare spazio tra i vari alimenti per consentire il passaggio del flusso d'aria.</li><li>• Chiudere lo sportello o il cassetto.</li><li>• Non aprire lo sportello o il cassetto troppo spesso.</li></ul>
La temperatura nell'elettrodomestico è troppo bassa.	<ul style="list-style-type: none"><li>• La temperatura impostata è troppo bassa. La funzione Super-Frz/Super-Cool è attiva o rimane attiva troppo a lungo.</li></ul>	<ul style="list-style-type: none"><li>• Reimpostare la temperatura.</li><li>• Disattivare la funzione Super-Frz/Super-Cool</li></ul>
Formazione di umidità all'interno del comparto frigorifero.	<ul style="list-style-type: none"><li>• Il clima è troppo caldo e troppo umido.</li><li>• Uno sportello o un cassetto dell'elettrodomestico non è chiuso bene.</li><li>• Lo sportello o il cassetto è stato aperto troppo spesso o troppo a lungo.</li><li>• Contenitori per alimenti o liquidi rimasti aperti.</li></ul>	<ul style="list-style-type: none"><li>• Aumentare la temperatura.</li><li>• Chiudere lo sportello o il cassetto.</li><li>• Non aprire lo sportello o il cassetto troppo spesso.</li><li>• Lasciare raffreddare gli alimenti caldi a temperatura ambiente e coprire cibi e liquidi.</li></ul>
Accumulo di umidità sul frigorifero sulla superficie esterna o tra gli sportelli e il cassetto.	<ul style="list-style-type: none"><li>• Il clima è troppo caldo e troppo umido.</li><li>• Lo sportello non è chiuso ermeticamente. L'aria fredda all'interno dell'elettrodomestico e l'aria calda all'esterno formano condensa.</li></ul>	<ul style="list-style-type: none"><li>• Ciò è normale in un clima umido; la situazione cambia quando l'umidità diminuisce.</li><li>• Accertarsi che lo sportello o il cassetto sia chiuso bene.</li></ul>



Problema	Causa possibile	Soluzione possibile
Presenza di molto ghiaccio e brina nel comparto congelatore.	<ul style="list-style-type: none"> <li>• Gli alimenti non sono stati confezionati adeguatamente.</li> <li>• Uno sportello o un cassetto dell'elettrodomestico non è chiuso bene.</li> <li>• Lo sportello o il cassetto è stato aperto troppo spesso o troppo a lungo.</li> <li>• Le guarnizioni dello sportello o del cassetto sono sporche, usurate, danneggiate o inadeguate.</li> <li>• Qualcosa all'interno impedisce la chiusura corretta dello sportello o del cassetto.</li> </ul>	<ul style="list-style-type: none"> <li>• Confezionare sempre gli alimenti.</li> <li>• Chiudere lo sportello o il cassetto.</li> <li>• Non aprire lo sportello o il cassetto troppo spesso.</li> <li>• Pulire la guarnizione dello sportello o del cassetto oppure sostituirla.</li> <li>• Risistemare i ripiani, i cassetti incassati nello sportello o i contenitori interni per consentire la chiusura dello sportello o del cassetto.</li> </ul>
I lati del vano e la striscia dello sportello si riscaldano.	<ul style="list-style-type: none"> <li>• -</li> </ul>	<ul style="list-style-type: none"> <li>• È normale.</li> </ul>
L'elettrodomestico emette suoni anomali.	<ul style="list-style-type: none"> <li>• L'elettrodomestico non è a livello.</li> <li>• L'elettrodomestico urta qualche oggetto vicino.</li> </ul>	<ul style="list-style-type: none"> <li>• Regolare i piedini per collocare l'elettrodomestico a livello.</li> <li>• Rimuovere gli oggetti attorno all'elettrodomestico.</li> </ul>
Si sente un lieve rumore, simile a quello dell'acqua che scorre.	<ul style="list-style-type: none"> <li>• -</li> </ul>	<ul style="list-style-type: none"> <li>• È normale.</li> </ul>
Viene emesso un allarme acustico.	<ul style="list-style-type: none"> <li>• Lo sportello del comparto frigorifero è aperto.</li> </ul>	<ul style="list-style-type: none"> <li>• Chiudere lo sportello.</li> </ul>
Viene emesso un lieve sibilo.	<ul style="list-style-type: none"> <li>• È in funzione il sistema anticondensa</li> </ul>	<ul style="list-style-type: none"> <li>• Ciò evita la formazione di condensa ed è normale</li> </ul>
L'illuminazione interna o il sistema di raffreddamento non funziona.	<ul style="list-style-type: none"> <li>• La spina non è collegata alla presa di corrente.</li> <li>• Problema della fonte di alimentazione.</li> <li>• La lampada a LED è fuori uso.</li> </ul>	<ul style="list-style-type: none"> <li>• Collegare la spina alla presa di corrente.</li> <li>• Controllare l'alimentazione elettrica. Chiamare l'azienda elettrica locale.</li> <li>• Chiamare l'assistenza per la sostituzione.</li> </ul>
Perdite o gocciolamenti d'acqua dal beccuccio dell'erogatore dell'acqua.	<ul style="list-style-type: none"> <li>• Il serbatoio dell'acqua non è installato correttamente</li> <li>• Il beccuccio dell'erogatore dell'acqua non è avvitato saldamente al serbatoio.</li> <li>• Nell'erogatore dell'acqua non è presente l'O-ring in silicone bianco.</li> </ul>	<ul style="list-style-type: none"> <li>• Rimontare il serbatoio dell'acqua nello sportello del frigorifero, accertandosi che sia spinto a fondo nello sportello.</li> <li>• L'erogatore dell'acqua è avvitato saldamente al serbatoio dell'acqua.</li> <li>• Verificare che l'erogatore dell'acqua sia dotato di un O-ring in silicone bianco all'estremità del serbatoio prima di montare l'erogatore sul serbatoio dell'acqua.</li> </ul>



Per rivolgersi all'assistenza tecnica, visitare il nostro sito web: <https://corporate.haier-europe.com/en/>

Nella sezione "sito Web", scegliere la marca del proprio prodotto e il proprio paese. Si aprirà il sito Web specifico contenente il numero di telefono e il modulo per contattare l'assistenza tecnica.

### **Interruzione della corrente**

In caso di interruzione della corrente, gli alimenti dovrebbero rimanere freddi in maniera sicura per circa 5 ore. Durante un'interruzione prolungata della corrente, soprattutto in estate, attenersi ai suggerimenti seguenti:

- ▶ Limitare al massimo l'apertura dello sportello o del cassetto.
- ▶ In caso di interruzione della corrente, non collocare altri alimenti nell'elettrodomestico.
- ▶ Se viene fornito un preavviso di interruzione della corrente di durata superiore a 5 ore, produrre un po' di ghiaccio e collocarlo nella parte superiore del comparto frigorifero.
- ▶ Dopo l'interruzione della corrente, è indispensabile controllare immediatamente gli alimenti.
- ▶ Siccome la temperatura nel frigorifero aumenta durante un'interruzione della corrente o in caso di altri guasti, il periodo di conservazione e la commestibilità degli alimenti si riducono. Per evitare rischi per la salute, gli alimenti che si scongelano devono essere immediatamente consumati oppure cotti e ricongelati (se possibile).



### **AVVISO: Funzione di memoria durante un'interruzione di corrente**

Al ripristino della corrente, l'elettrodomestico riprende il funzionamento in base alle impostazioni precedenti.

## Disimballo



### AVVERTENZA!

- ▶ L'elettrodomestico è pesante. Per spostarlo occorrono almeno due persone.
- ▶ Tenere fuori dalla portata dei bambini tutti i materiali di imballaggio e smaltirli nel rispetto dell'ambiente.
- ▶ Estrarre l'elettrodomestico dall'imballo.
- ▶ Togliere tutti i materiali di imballo.

## Condizioni ambientali

La temperatura ambiente deve essere sempre compresa tra 10 e 43 °C, poiché può influire sulla temperatura interna dell'elettrodomestico e sui consumi energetici. Non installare l'elettrodomestico vicino ad altri elettrodomestici che emettono calore (forni, frigoriferi) senza isolamento.

- Temperata estesa (SN): questo elettrodomestico è destinato all'uso con temperature ambiente comprese tra 10°C e 32°C;
- Temperata (N): questo elettrodomestico è destinato all'uso con temperature ambiente comprese tra 16 °C e 32 °C;
- Subtropicale (ST): questo elettrodomestico è destinato all'uso con temperature ambiente comprese tra 16°C e 38°C;

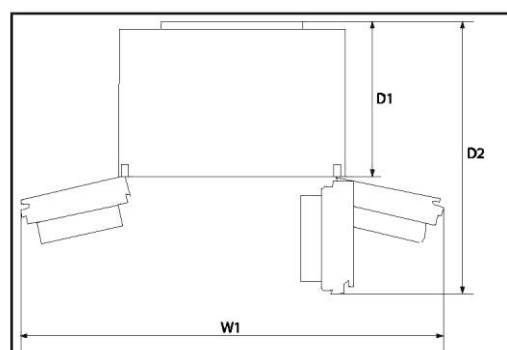
## Spazio necessario

Spazio minimo quando lo sportello è aperto:

W1 = 157,8 cm

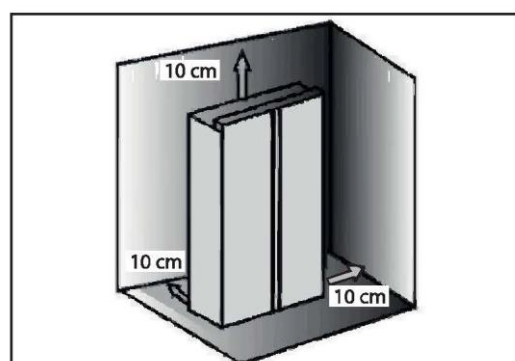
D1=62,9 cm

D2=117,5 cm



## Sezione di ventilazione

Per ottenere una ventilazione sufficiente dell'elettrodomestico per motivi di sicurezza, attenersi alle indicazioni sulle sezioni di ventilazione.

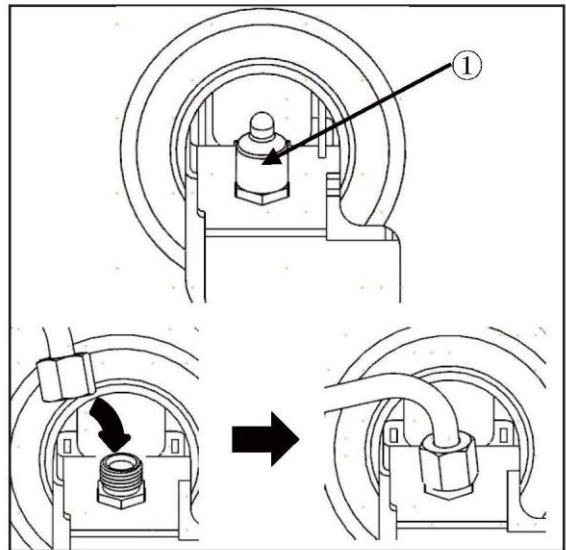


## AVVISO

per gli elettrodomestici a libera installazione: questo elettrodomestico non è progettato per l'installazione a incasso.

## Collegamento dell'acqua all'elettrodomestico

1. Rimuovere il tappo di gomma (1) dalla valvola di ingresso acqua.

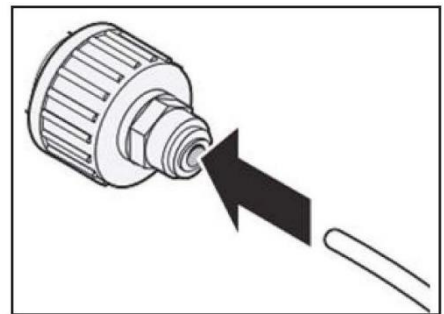


2. Spingere con decisione il tubo dell'acqua sulla valvola di ingresso acqua e serrare il dado a colletto. Questo tubo dell'acqua deve essere tagliato dal centro e utilizzato, mentre l'altra sezione viene utilizzata come pezzo di ricambio.

## Collegamento al rubinetto dell'acqua

Questa funzione è disponibile soltanto su alcuni modelli.

1. Spingere il tubo dell'acqua nel foro del connettore del rubinetto fornito negli accessori. Il tubo deve essere tenuto saldamente mentre il connettore viene spinto sul tubo.
  2. Assicurarsi che la rondella di gomma sia montata all'interno del connettore del rubinetto prima di avvitarlo al rubinetto.
- ▶ Se il raccordo del rubinetto non corrisponde alla dimensione della filettatura del connettore fornito, potrebbe essere necessario acquistare un connettore o un adattatore separato.



## Controllo del collegamento idrico

Questa funzione è disponibile soltanto su alcuni modelli.

- ▶ Aprire l'alimentazione idrica e accendere l'elettrodomestico. Controllare attentamente tutti i raccordi per rilevare eventuali perdite dovute a tubi montati in modo errato.
- ▶ Tenere premuto il tasto 3Sec. Filter Reset per tre secondi. Il nuovo filtro dell'acqua è stato attivato.
- ▶ Posizionare una tazza sotto l'erogatore dell'acqua per verificare che l'acqua scorra attraverso l'elettrodomestico.
- ▶ Controllare nuovamente la tenuta del tubo di collegamento e dei giunti.





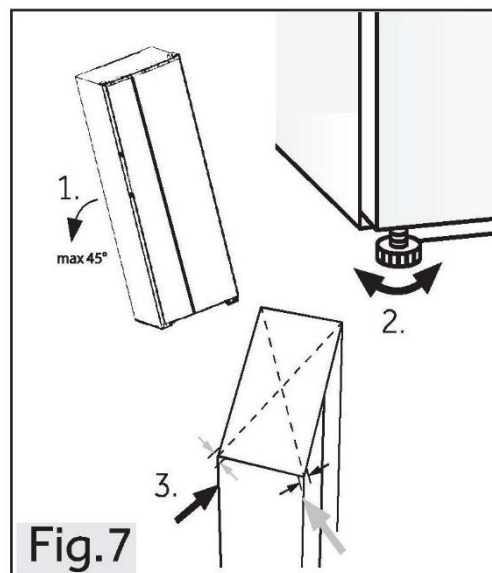
## AVVERTENZA!

- ▶ Accertarsi sempre che i collegamenti siano saldi, asciutti e privi di perdite.
- ▶ Non schiacciare, piegare o attorcigliare il tubo.

### Allineamento dell'elettrodomestico

Installare l'elettrodomestico su una superficie solida e piana.

1. Inclinare lievemente all'indietro l'elettrodomestico (Fig.7).
2. Regolare i piedini sul livello desiderato. Assicurarsi che la distanza dal muro sui lati delle cerniere sia di almeno 10 cm.
3. La stabilità può essere verificata spingendo diagonalmente l'elettrodomestico a destra e a sinistra. Il lieve ondeggiamento deve essere identico in entrambe le direzioni. In caso contrario, il telaio potrebbe deformarsi e le guarnizioni dello sportello potrebbero perdere. Una lieve inclinazione posteriore facilita la chiusura degli sportelli.

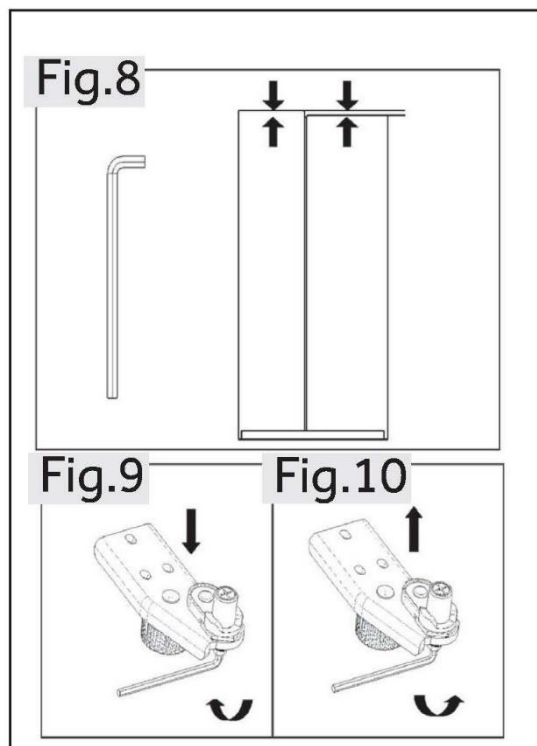


### Regolazione precisa degli sportelli

Se gli sportelli non sono ancora a filo dopo averli livellati tramite i piedini, è possibile rimediare a questa discrepanza ruotando l'albero di sollevamento delle cerniere nell'angolo in basso a destra dello sportello del frigorifero con una chiave (Fig.8)

Ruotare in senso orario l'albero di sollevamento con la chiave per abbassare l'altezza dello sportello (Fig.9).

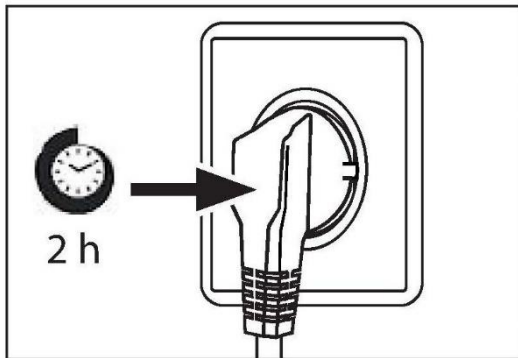
Ruotare in senso antiorario l'albero di sollevamento con la chiave fino all'altezza dello sportello (Fig.10).





**AVVERTENZA!**

Non regolare eccessivamente l'albero di sollevamento delle cerniere a un'altezza che potrebbe farlo uscire dalla sua posizione di blocco originale. (Intervallo di altezza regolabile: 3 mm)

**Tempo di attesa**

L'olio di lubrificazione esente da manutenzione si trova nella capsula del compressore. Questo olio può percorrere il sistema di tubazioni chiuse durante il trasporto. Prima di collegare l'elettrodomestico all'alimentazione elettrica, attendere almeno 2 ore in modo che l'olio torni nella capsula.

**Collegamento elettrico****Prima di ogni collegamento, effettuare i seguenti controlli:**

- ▶ La fonte di alimentazione, la presa e i fusibili sono conformi ai dati indicati nella targhetta.
- ▶ La presa di corrente è collegata a terra e non sono utilizzate prese multiple o prolunghie.
- ▶ La spina e la presa di corrente sono compatibili.

Collegare la spina a una presa domestica installata correttamente.

**AVVERTENZA!**

Per evitare rischi, un cavo di alimentazione danneggiato deve essere sostituito dall'assistenza clienti (v. scheda di garanzia).

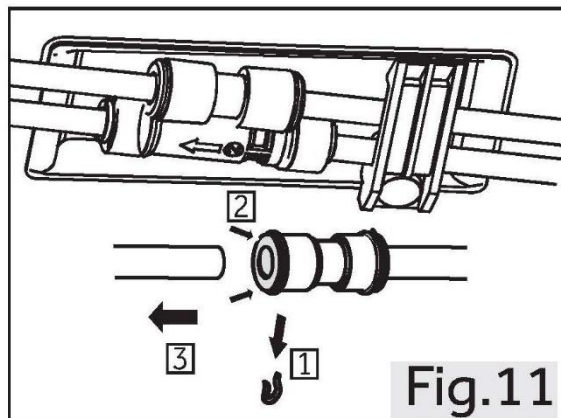
**Rimozione e installazione degli sportelli**

Nel caso in cui sia necessario rimuovere gli sportelli dell'elettrodomestico, seguire le istruzioni di rimozione e installazione delle porte riportate di seguito.

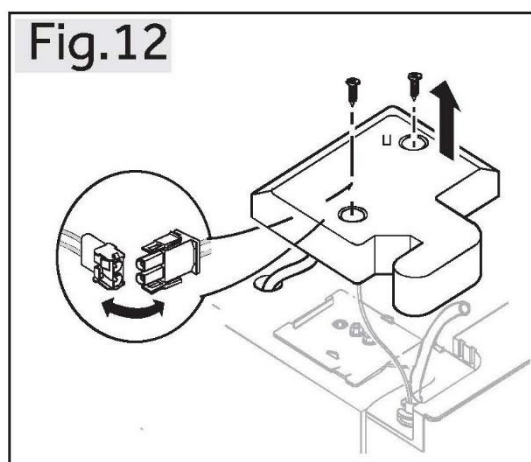
**AVVERTENZA!**

- ▶ Prima di effettuare qualsiasi operazione, spegnere l'elettrodomestico e staccare la spina dalla presa di corrente.
- ▶ Bloccare l'approvvigionamento idrico.
- ▶ L'elettrodomestico è pesante. Per spostarlo occorrono almeno due persone.
- ▶ Non inclinare l'elettrodomestico di oltre 45° né posizionarlo orizzontalmente sul pavimento.
- ▶ Durante questi passaggi, lo sportello potrebbe cadere e ferire le persone oppure danneggiarsi; prestare maggiore attenzione durante la rimozione e l'installazione degli sportelli.

1. Sganciare il lato sinistro dei due raccordi dell'acqua nell'angolo anteriore sinistro nella parte inferiore dell'elettrodomestico: tenere premuta la ghiera come mostrato e rimuovere il tubo dell'acqua. (Fig.11).



2. Svitare la vite di copertura della cerniera e rimuovere la copertura (Fig.12). Quando si rimuove lo sportello del congelatore, scollegare tutti i cavi tranne il cavo di messa a terra.

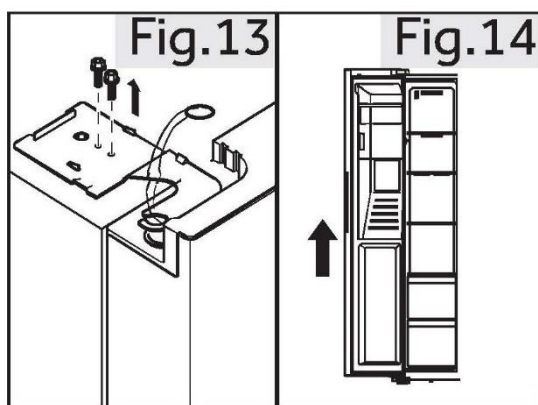


3. Svitare le viti che tengono in posizione la cerniera superiore e quindi rimuovere la cerniera (Fig.13).

4. Sollevare lo sportello per rimuoverlo (Fig. 14). Quando si rimuove lo sportello del congelatore, sollevarlo quanto basta per estrarre il raccordo dell'acqua dalla parte inferiore dell'elettrodomestico.

5. Rimontare lo sportello invertendo le fasi di rimozione. Assicurarsi che il cavo di messa a terra sia fissato dalla vite.

6. Rimontare il raccordo dell'acqua.



## AVVISO: Sportello del frigorifero

Le immagini mostrano la rimozione dello sportello del vano congelatore. Per lo sportello del frigorifero utilizzare le parti corrispondenti sull'altro lato.



Specifiche del prodotto secondo il regolamento UE n. 2019/2016

Marchio	Haier
Nome / identificativo del modello	HSW59F18DIMM HSW79F18DIPT
Categoria del modello	Frigorifero-congelatore
Classe di efficienza energetica	D
Consumo energetico annuo (kWh/anno) <sup>(1)</sup>	267
Volume totale (litri)	601
Volume frigorifero (litri)	391
Volume congelatore (litri)	206
Volume scomparto ghiaccio (2 stelle) (L)	4
Prestazioni (stelle)	
Temperatura degli altri compartimenti > 14°C	Non applicabile
Sistema senza formazione di brina	Sì
Capacità di congelamento (kg/24 h)	10
Classe climatica <sup>(2)</sup>	SN-N-ST
Classe di emissione di rumore ed emissioni acustiche aeree (db(A) re 1pW)	C(36)
Tempo di aumento della temperatura (h)	5
Capacità di produzione del ghiaccio	0,8 kg/24h
Tipo di elettrodomestico	Indipendente



## Dati tecnici

Descrizioni:

• Si

(1) In base ai risultati del test di conformità agli standard per 24 ore. Il consumo effettivo dipende dall'uso e dalla posizione dell'elettrodomestico.

(2) Classe climatica SN: questo elettrodomestico è destinato all'uso con temperature ambiente comprese tra +10 °C e +32 °C

Classe climatica N: questo elettrodomestico è destinato all'uso con temperature ambiente comprese tra +16°C e +32°C

Classe climatica ST: questo elettrodomestico è destinato all'uso con temperature ambiente comprese tra +16°C e +38°C

### Dati tecnici supplementari

Tensione / Frequenza	220-240 V~/50 Hz
Corrente di ingresso (A)	1.8
Alimentazione in ingresso sbrinamento (W)	220
Fusibile principale (A)	15
Refrigerante	R600a
Dimensioni (A/L/P in mm)	1775/905/726



Si consiglia di rivolgersi all'Assistenza Clienti Haier e di utilizzare ricambi originali.  
In caso di problemi con l'elettrodomestico, consultare prima la sezione SOLUZIONE DEI PROBLEMI.

Se non si riesce a trovare una soluzione, contattare

- ▶ il rivenditore locale o
- ▶ lo European Call Service-Center (vedere i numeri di telefono elencati di seguito) o
- ▶ l'area Service & Support su [www.haier.com](http://www.haier.com) dove è possibile chiedere assistenza
- ▶ e trovare risposte a domande frequenti.

Per contattare l'assistenza, procurarsi i dati seguenti.  
Le informazioni si trovano sulla targhetta.

Modello \_\_\_\_\_

N. di serie \_\_\_\_\_

Controllare anche la scheda di garanzia fornita con il prodotto.

European Call Service-Center		
Paese*	Numero di telefono	Costi
Haier Italy (IT)	199 100912	
Haier Spain (ES)	902 509 123	
Haier Germany (DE)	0180539 39 99	<ul style="list-style-type: none"><li>• 14 cent/min su linea fissa</li><li>• max 42 cent/min su linea mobile</li></ul>
Haier Austria (AT)	0820 001 205	<ul style="list-style-type: none"><li>• 14,53 cent/min su linea fissa</li><li>• max 20 cent/min su altre linee</li></ul>
Haier United Kingdom (UK)	0333 003 8122	
Haier France (FR)	0980 406 409	



\* Per altri paesi, fare riferimento al sito [www.haier.com](http://www.haier.com)

Haier Europe Trading S.r.l

Filiale Regno Unito

Westgate House, Westgate, Ealing

London, W5 1YY

\*Durata della garanzia dell'elettrodomestico:

Garanzia minima: 2 anni per i paesi UE, 3 anni per la Turchia, 1 anno per il Regno Unito, 1 anno per la Russia, 3 anni per la Svezia, 2 anni per la Serbia, 5 anni per la Norvegia, 1 anno per il Marocco, 6 mesi per l'Algeria; per la Tunisia non è obbligatoria alcuna garanzia legale.

\*Periodo di disponibilità dei pezzi di ricambio per la riparazione dell'elettrodomestico:

termostati, sensori di temperatura, circuiti stampati e lampade rimangono disponibili per almeno sette anni dopo l'immissione sul mercato dell'ultima unità del modello.

Maniglie e cerniere degli sportelli, vassoi e cestelli rimangono disponibili per almeno di sette anni e le guarnizioni degli sportelli per almeno 10 anni dopo l'immissione sul mercato dell'ultima unità del modello.

\*Per ulteriori informazioni sul prodotto, consultare <https://eprel.ec.europa.eu/> o effettuare una scansione del codice QR apposto sull'etichetta fornita con l'elettrodomestico.





Veiligheidsinformatie.....	226
Beoogd gebruik.....	231
Productbeschrijving.....	232
Bedieningspaneel.....	233
Gebruik.....	234
Apparatuur.....	247
Onderhoud en reiniging.....	249
Problemen oplossen.....	254
Installatie.....	258
Technische gegevens.....	263
Klantenservice.....	265





### **Bedankt voor de aankoop van dit Haier-product.**

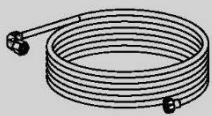
Lees deze instructies zorgvuldig door voordat u dit apparaat gebruikt. De instructies bevatten belangrijke informatie die u helpt het beste uit het apparaat te halen en veilige en correcte installatie, gebruik en onderhoud te waarborgen.

Bewaar deze handleiding op een handige plaats zodat u hem altijd kunt raadplegen voor een veilig en correct gebruik van het apparaat.

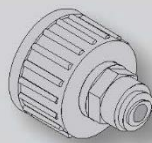
Als u het apparaat verkoopt, weggeeft of achterlaat wanneer u verhuist, zorg er dan voor dat u deze handleiding ook overdraagt, zodat de nieuwe eigenaar het apparaat en de veiligheidswaarschuwingen kan leren kennen.

### **Accessoires**

Controleer de accessoires en literatuur in overeenstemming met deze lijst:



\*Waterpijp



\*Wateraansluiting



Energielabel



Garantiekaart



Snelle naslaggids



## WAARSCHUWING – Belangrijke veiligheidsinformatie



## LET OP – Algemene informatie en tips



## Milieu-informatie



### Verwijdering

Help het milieu en de menselijke gezondheid te beschermen. Doe de verpakking in de daarvoor bestemde containers om deze te recyclen. Help het afval van elektrische en elektronische apparaten te recyclen. Gooi apparaten met dit symbool niet weg bij het huisvuil. Lever het product in bij uw plaatselijke recyclingfaciliteit of neem contact op met uw gemeentekantoor.



## WAARSCHUWING!

Gevaar voor letsel of verstikking!

Koelmiddelen en gassen moeten professioneel worden verwijderd. Controleer of de leidingen van het koelmiddelcircuit niet zijn beschadigd voordat ze op de juiste manier worden afgevoerd. Koppel het apparaat los van de stroomvoorziening. Knip het netsnoer af en gooi het weg. Verwijder de bakken en laden en de deurvergrendeling en -afdichtingen, om te voorkomen dat kinderen en huisdieren in het apparaat worden opgesloten.



## Lees voordat u het apparaat voor het eerst inschakelt de volgende veiligheidstips:



### WAARSCHUWING!

#### Vóór het eerste gebruik

- ▶ Controleer of er geen transportschade is.
- ▶ Verwijder alle verpakkingsmaterialen en houd ze buiten het bereik van kinderen.
- ▶ Wacht ten minste twee uur voordat u het apparaat installeert, om er zeker van te zijn dat het koelmiddelcircuit volledig werkt.
- ▶ Verplaats het apparaat altijd met ten minste twee personen, het is namelijk zwaar.

#### Installatie

- ▶ Het apparaat moet op een goed geventileerde plaats worden geplaatst. Zorg voor een ruimte van ten minste 10 cm boven en rond het apparaat.
- ▶ Plaats het apparaat nooit in een vochtige ruimte of op een plaats waar het met water kan worden bespat. Reinig en droog waterspatten en vlekken met een zachte, schone doek.
- ▶ Installeer het apparaat niet in direct zonlicht of in de buurt van warmtebronnen (bijv. kachels, verwarmingstoestellen).
- ▶ Installeer het apparaat waterpas op een plaats die geschikt is voor de grootte en het gebruik ervan.
- ▶ Zorg ervoor dat de ventilatieopeningen in het apparaat of in de ingebouwde constructie open blijven.
- ▶ Controleer of de elektrische informatie op het typeplaatje overeenkomt met de stroomvoorziening. Als dat niet het geval is, neem dan contact op met een elektricien.
- ▶ Het apparaat wordt gebruikt met een voeding van 220–240 VAC/50 Hz. Abnormale spanningsschommelingen kunnen ertoe leiden dat het apparaat niet start of dat de temperatuurregeling of de compressor beschadigd raakt of dat er tijdens het gebruik een abnormaal geluid optreedt. In dat geval moet er een automatische regelaar worden gemonteerd.
- ▶ Gebruik geen stekkerdozen en verlengkabels.
- ▶ Plaats niet meerdere draagbare stopcontacten of draagbare voedingen op de achterkant van het apparaat.
- ▶ Zorg ervoor dat de stroomkabel niet bekneld zit door de koelkast. Ga niet op de stroomkabel staan.



## WAARSCHUWING!

- ▶ Gebruik een apart geaard stopcontact voor de stroomvoorziening, dat gemakkelijk toegankelijk is. Het apparaat moet geaard zijn.  
Alleen voor het Verenigd Koninkrijk: Het netsnoer van het apparaat is voorzien van een 3-aderige (geaarde) stekker die past op een standaard 3-aderig (geaard) stopcontact. De derde pin (aarding) mag nooit worden afgesneden of gedemonteerd. Nadat het apparaat is geïnstalleerd, moet de stekker bereikbaar zijn.

- ▶ Beschadig het koelcircuit niet.

### Dagelijks gebruik

- ▶ Dit apparaat mag worden gebruikt door kinderen vanaf 8 jaar en door personen met verminderde lichamelijke, zintuiglijke of geestelijke vermogens of met een gebrek aan kennis en ervaring, mits zij onder toezicht worden gehouden of instructies hebben gekregen om het apparaat veilig te kunnen gebruiken en de gevaren begrijpen die ermee gepaard gaan.
- ▶ Kinderen van 3 tot 8 jaar mogen wel inladen en uitladen, maar mogen koelapparatuur niet reinigen of installeren.
- ▶ Houd kinderen onder de 3 jaar uit de buurt van het apparaat, tenzij ze voortdurend onder toezicht staan.
- ▶ Kinderen mogen niet met het apparaat spelen.
- ▶ Als er koelgas of ander brandbaar gas in de buurt van het apparaat lekt, moet u het ventiel van het lekkende gas sluiten, de deuren en ramen openen en mag u de stekker van de koelkast of een ander apparaat niet uit het stopcontact halen of in een stopcontact steken.
- ▶ Let op, het apparaat is ingesteld om te werken bij een specifiek omgevings-temperatuurbereik van 10 tot 38°C. Het apparaat kan gedurende lange tijd bij een temperatuur boven of onder het aangegeven bereik niet goed werken.
- ▶ Plaats geen onstabiele voorwerpen (zware voorwerpen, containers gevuld met water) boven op de koelkast, om persoonlijk letsel door vallen of elektrische schokken door contact met water te voorkomen.
- ▶ Trek niet aan de deurschappen. De deur kan scheefgetrokken worden, het flessenrek kan eruit worden getrokken, of het apparaat kan omvallen.
- ▶ Open en sluit de deuren alleen met de handgrepen. De ruimte tussen de deuren en tussen de deuren en de kast is zeer smal. Steek uw handen niet in deze ruimtes, om te voorkomen dat uw vingers bekneld raken. Open of sluit de koelkastdeuren alleen als er geen kinderen zijn die zich binnen het bewegingsbereik van de deur bevinden.



### WAARSCHUWING!

- ▶ Bewaar of gebruik in het apparaat of in de buurt ervan geen brandbare, explosieve of corrosieve materialen.
- ▶ Bewaar geen geneesmiddelen, bacteriën of chemische middelen in het apparaat. Dit is een huishoudelijk apparaat. Het wordt niet aanbevolen om materialen op te slaan die strikte temperaturen vereisen.
- ▶ Bewaar vloeistoffen in flessen of blikjes (met uitzondering van sterke drank), met name koolzuurhoudende dranken, nooit in de vriezer, omdat deze tijdens het invriezen barsten.
- ▶ Controleer de staat van het voedsel als er sprake van opwarming is geweest in de vriezer.
- ▶ Stel de temperatuur in het koelkastgedeelte niet onnodig laag in. Bij een hoge instelling kunnen temperaturen onder nul optreden. Let op: Flessen kunnen barsten
- ▶ Raak geen bevroren producten aan met natte handen (draag handschoenen). Eet vooral ijsjes niet onmiddellijk na verwijdering uit het vriezergedeelte op. Er bestaat het risico op bevriezing of vriesblaren. Eerste hulp: houd onmiddellijk onder de koude kraan. Niet lostrekken!
- ▶ Raak het binnenoppervlak van het vriezergedeelte niet aan wanneer het in werking is, vooral niet met natte handen, omdat uw handen aan het oppervlak vast kunnen vriezen.
- ▶ Haal de stekker van het apparaat uit het stopcontact wanneer er een stroomonderbreking optreedt of voordat u het schoonmaakt. Laat het apparaat minstens 7 minuten rusten voordat u het opnieuw opstart, omdat vaak starten de compressor kan beschadigen.
- ▶ Gebruik geen elektrische toestellen in de bewaarruimten voor levensmiddelen van het apparaat, tenzij deze van het type zijn dat door de fabrikant wordt aanbevolen. Onderhoud/reiniging
- ▶ Zorg ervoor dat kinderen onder toezicht staan als ze schoonmaak en onderhoud uitvoeren.
- ▶ Haal de stekker van het apparaat uit het stopcontact voordat u routineonderhoud uitvoert. Laat het apparaat minstens 5 minuten rusten voordat u het opnieuw opstart, omdat vaak starten de compressor kan beschadigen.



## WAARSCHUWING!

- ▶ Houd de stekker vast, niet het snoer, wanneer u de stekker uit het stopcontact haalt.
- ▶ Reinig het apparaat niet met harde borstels, draadborstels, waspoeder, benzine, amylacetaat, aceton en soortgelijke organische oplossingen, zure of alkalische oplossingen. Reinig het apparaat met een speciaal reinigingsmiddel voor koelkasten om schade te voorkomen.
- ▶ Schraap vorst en ijs niet af met scherpe voorwerpen. Gebruik geen sprays, elektrische verwarmingstoestellen zoals haardrogers, stoomreinigers of andere warmtebronnen om schade aan de kunststof onderdelen te voorkomen.
- ▶ Gebruik geen mechanische apparaten of andere middelen om het ontdooien te versnellen, behalve als deze door de fabrikant worden aanbevolen.
- ▶ Als het netsnoer beschadigd is, moet het worden vervangen door de fabrikant, diens servicevertegenwoordiger of vergelijkbaar gekwalificeerde personen om gevaar te voorkomen.
- ▶ Probeer het apparaat niet zelf te repareren, te demonteren of aan te passen. Neem in geval van reparatie contact op met onze klantenservice.
- ▶ Verwijder het stof aan de achterkant van het toestel ten minste eenmaal per jaar om brandgevaar en een verhoogd energieverbruik te voorkomen.
- ▶ Spuit niet op het apparaat en spoel het niet af tijdens het reinigen.
- ▶ Gebruik geen waterstraal of stoom om het apparaat schoon te maken.
- ▶ Reinig de koude glazen planken niet met heet water. Door plotselinge temperatuurveranderingen kan het glas breken.

## Informatie over koelgas



## WAARSCHUWING!

Het apparaat bevat het brandbare koelmiddel ISOBUTAAN (R600a). Controleer of het koelcircuit tijdens transport of installatie niet is beschadigd. Lekkend koelmiddel kan oogletsel veroorzaken of ontbranden. Als er schade is opgetreden, weghouden van open vuurbronnen, de kamer grondig ventileren, de stekker van het apparaat of enig ander apparaat niet in het stopcontact steken of eruit halen. Informeer de klantenservice.

Als de ogen in contact komen met het koelmiddel, spoel het dan onmiddellijk onder stromend water af en bel onmiddellijk de oogspecialist.



## Beoogd gebruik

Dit apparaat is bedoeld voor het koelen en invriezen van voedsel. Het is uitsluitend ontworpen voor gebruik in huishoudelijke en soortgelijke toepassingen, zoals personeelskeukens in winkels, kantoren en andere werkomgevingen; op boerderijen en door gasten in hotels, motels en andere woonomgevingen, maar ook in bed and breakfasts en bij cateringbedrijven. Het is niet bedoeld voor commercieel of industrieel gebruik.

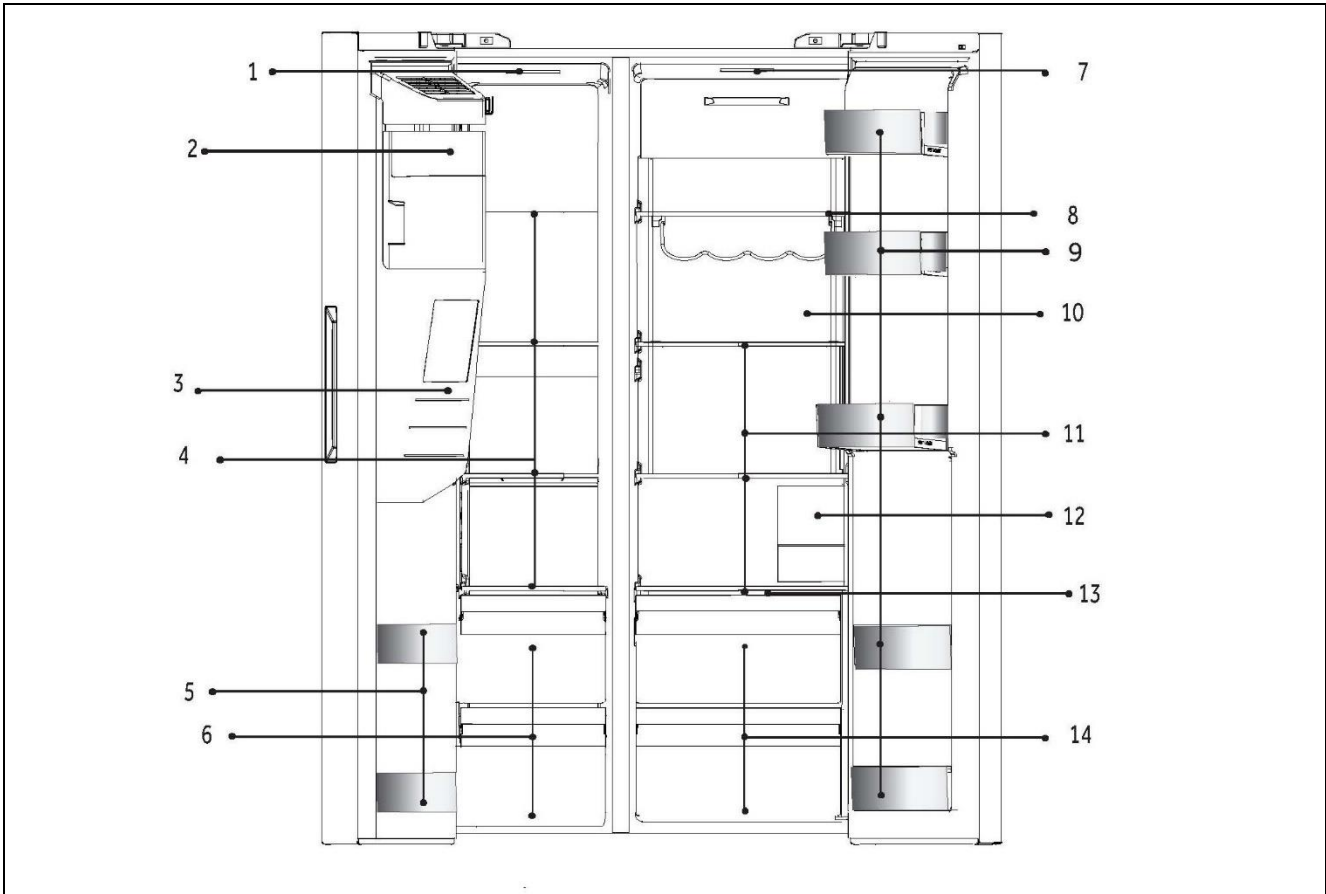
Wijzigingen of aanpassingen aan het apparaat zijn niet toegestaan. Onbedoeld gebruik kan risico's en verlies van garantieclaims veroorzaken.

## Normen en richtlijnen en

Dit product voldoet aan de eisen van alle toepasselijke EG-richtlijnen met de bijbehorende geharmoniseerde normen en normen van het VK die voorzien in een CE- en UKCA-markering.

**i** Let op

Door technische wijzigingen en verschillende modellen kunnen sommige afbeeldingen in deze handleiding afwijken van uw model.



A: Vriezergedeelte

- 1 Plafondlamp
- 2 Ijsmaker met ijsreservoir
- 3 Water- en ijsdispenser
- 4 Glazen planken
- 5 Flessenhouder
- 6 Lades

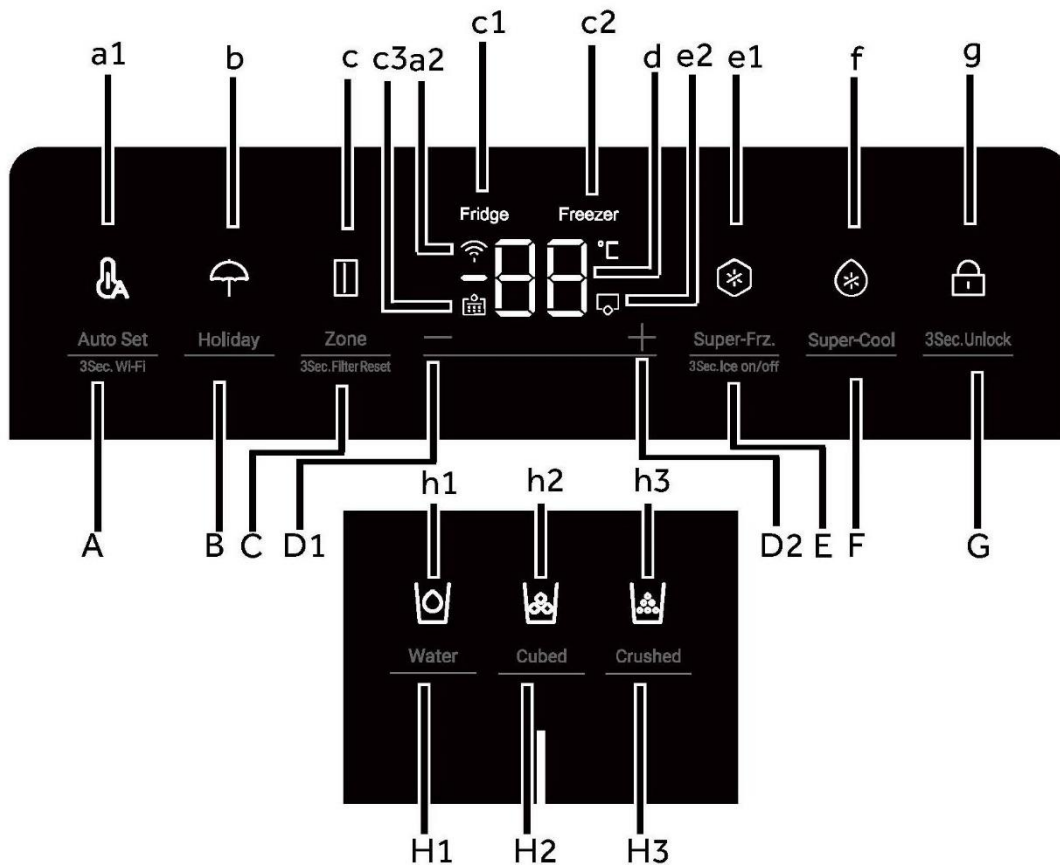
B: Koelkastgedeelte

- 7 Plafondlamp
- 8 Wijnrek
- 9 Flessenhouder
- 10 Achterlicht (HSW79F18DIPT)
- 11 Glazen planken
- 12 Waterfilter
- 13 Afdekplaat voor natte zone
- 14 Lades





## Bedieningspaneel



Toetsen:

- A 'Auto Set'-functie/3Sec.Wi-Fi
- B Functie 'Holiday'
- C Zoneselectie/3Sec.Filter Reset
- D1 Temperatuurinsteltoets '-'
- D2 Temperatuurinsteltoets '+'
- E 'Super-Freeze'-functie//3Sec. Ice on/off
- F Functie 'Super-Cool'
- G Keuzetoets paneelvergrendeling
- H1 Keuzetoets waterinlaatfunctie
- H2 Keuzetoets ijsblokjesfunctie
- H3 Keuzetoets ijsschilferfunctie

Indicatoren:

- a1 Auto Set-modus
- a2 Wififunctie
- b Holiday-modus
- c Zone-indicator
- c1 Koelkastindicator
- c2 Vriezerindicator
- c3 Filter Reset-functie
- d Temperatuurweergave
- e1 'Super-Freeze'-modus
- e2 IJsmakermodus
- f 'Super-Cool'-modus
- g Paneelvergrendeling
- h1 Waterinlaatfunctie
- h2 Ijsblokjesfunctie
- h3 IJsschilferfunctie



## Vóór het eerste gebruik

- ▶ Verwijder alle verpakkingsmaterialen, houd ze buiten bereik van kinderen en gooi ze op een milieuvriendelijke manier weg.
- ▶ Reinig de binnen- en de buitenkant van het apparaat met water en een mild reinigingsmiddel voordat u er voedingsmiddelen in plaatst.
- ▶ Nadat het apparaat waterpas is gezet en is schoongemaakt, moet u minstens 2–5 uur wachten voordat u het aansluit op het elektriciteitsnet. Raadpleeg hoofdstuk INSTALLATIE.
- ▶ Koel de compartimenten op hoge instellingen voor voordat u het voedsel erin zet. De 'Power-Freeze'-functie helpt om de compartimenten snel af te koelen.
- ▶ De temperatuur van de koelkast en de vriezer worden automatisch ingesteld op respectievelijk 5°C en -18°C. Dit zijn de aanbevolen instellingen. Als u wilt, kunt u deze temperaturen handmatig veranderen. Raadpleeg DE TEMPERATUUR AANPASSEN.

## Sensortoetsen

De toetsen op het bedieningspaneel zijn sensortoetsen, die al reageren als ze licht met de vinger worden aangeraakt.

## Het apparaat in-/uitschakelen

Het apparaat werkt zodra het op de voeding is aangesloten.

De weergegeven temperaturen tonen de ingestelde temperaturen in het compartiment.

Mogelijk is de paneelvergrendeling actief.

### Let op

Wanneer het apparaat wordt ingeschakeld nadat de stekker uit het stopcontact is gehaald, kan het tot wel 12 uren duren voordat de juiste temperaturen zijn bereikt.

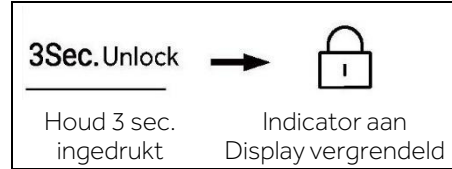
Leeg het apparaat voordat u het uitschakelt. Trek het netsnoer uit het stopcontact om het apparaat uit te schakelen.

### LET OP

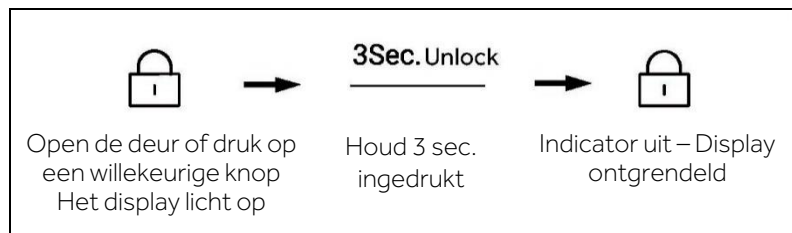
Wanneer de koelkast voor het eerst wordt ingeschakeld, gaat het indicatielampje branden. De temperatuur van de koelkast en de vriezer worden automatisch ingesteld op respectievelijk 5°C en -18°C.

## Paneel vergrendelen/ontgrendelen

1. Automatische vergrendeling: Wanneer de koelkastdeur en de vriezerdeur gesloten zijn en er binnen 30 seconden geen toetsbediening is, gaat het display automatisch uit en wordt het vergrendeld.



2. Handmatige vergrendeling: Wanneer het display is ontgrendeld, drukt u op de toets 'G' (keuzetoets paneelvergrendeling) en houdt u deze 3 seconden ingedrukt. De zoemer klinkt eenmaal, de indicator 'g' (paneelvergrendeling) gaat branden en het display is vergrendeld.



## De temperatuur aanpassen

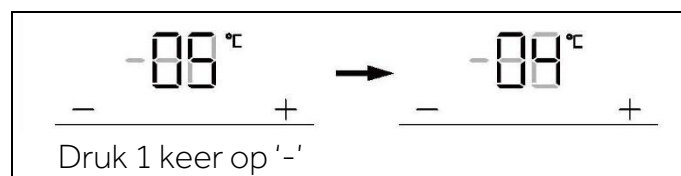
De binnentemperaturen worden beïnvloed door de volgende factoren:

- ▶ Omgevingstemperatuur
- ▶ Frequentie van het openen van de deur
- ▶ Hoeveelheid opgeslagen voedsel
- ▶ Installatie van het apparaat

## De koelkasttemperatuur aanpassen

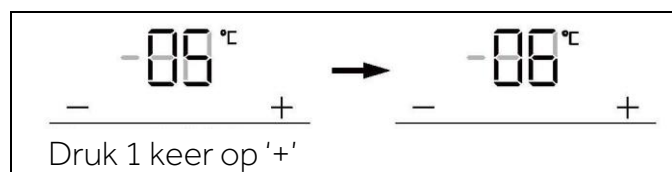
1. Wanneer het scherm is ontgrendeld, drukt u op de toets 'C' (keuzetoets zone). De zoemer klinkt eenmaal, de indicator 'c1' (koelkastindicator) knippert en dan verschijnt de temperatuurinstelmodus van de koelkast.

2. Druk herhaaldelijk op de toets 'D1' (temperatuurinsteltoets '-'), elke keer klinkt de zoemer eenmaal en wordt de ingestelde temperatuur van de koelkast verlaagd met 1 graad. De koelkasttemperatuur wordt weergegeven in de volgorde van '9°C -> 8°C -> 7°C -> 6°C -> 5°C -> 4°C -> 3°C -> 2°C -> 1°C'.



### De koelkasttemperatuur aanpassen

3. Druk herhaaldelijk op de toets 'D2' (temperatuurinsteltoets '+'), elke keer klinkt de zoemer eenmaal en wordt de ingestelde temperatuur van de koelkast verhoogd met 1 graad. De koelkasttemperatuur wordt weergegeven in de volgorde van '1°C -> 2°C -> 3°C -> 4°C -> 5°C -> 6°C -> 7°C -> 8°C -> 9°C'.



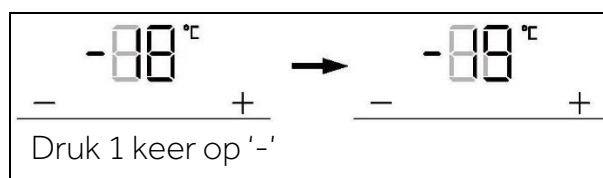
### **i** Let op

Na het instellen van de temperatuur, als er binnen 5 seconden geen handeling plaatsvindt, wordt het systeem automatisch bepaald en de ingestelde temperatuur opgeslagen.

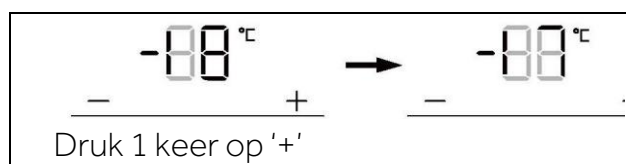
### De vriezertemperatuur aanpassen

1. Wanneer het scherm is ontgrendeld, drukt u op de toets 'C' (keuzetoets zone). De zoemer klinkt eenmaal, de indicator 'c2' (vriezerindicator) knippert en dan verschijnt de temperatuurinstelmodus van de vriezer.

2. Druk herhaaldelijk op de toets 'D1' (temperatuurinsteltoets '-'), elke keer klinkt de zoemer eenmaal en wordt de ingestelde temperatuur van de vriezer verlaagd met 1 graad. De vriezertemperatuur wordt weergegeven in de volgorde van '-14°C -> -15°C -> -16°C -> -17°C -> -18°C -> -19°C -> -20°C -> -21°C -> -22°C -> -23°C -> -24°C'.



3. Druk herhaaldelijk op de toets 'D2' (temperatuurinsteltoets '+'), elke keer klinkt de zoemer eenmaal en wordt de ingestelde temperatuur van de vriezer verhoogd met 1 graad. De vriezertemperatuur wordt weergegeven in de volgorde van '-24°C -> -23°C -> -22°C -> -21°C -> -20°C -> -19°C -> -18°C -> -17°C -> -16°C -> -15°C -> -14°C'.

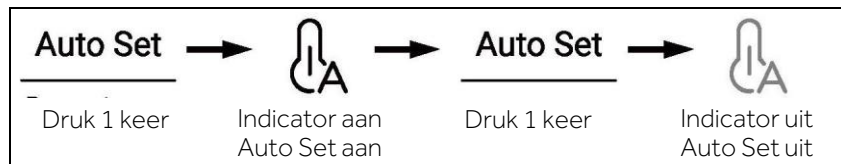


### **i** Let op

Na het instellen van de temperatuur, als er binnen 5 seconden geen handeling plaatsvindt, wordt het systeem automatisch bepaald en de ingestelde temperatuur opgeslagen.

## Auto Set-modus

1. Wanneer het display is ontgrendeld, drukt u op de toets 'A' (keuzetoets Auto Set-modus). De zoemer klinkt eenmaal, de indicator 'a1' (Auto Set-modus) gaat branden en de Auto Set-functie wordt ingeschakeld.
2. Wanneer de indicator 'a1' (Auto Set-modus) brandt, drukt u op de toets 'A' (keuzetoets Auto Set-modus). De zoemer klinkt eenmaal, de indicator 'a1' (Auto Set-modus) gaat uit en de Auto Set-functie wordt uitgeschakeld.



## Let op

In de Auto Set-modus kan de koelkast- of vriestemperatuur niet worden aangepast. Als de toets 'D1' (temperatuurinsteltoets '-') of toets 'D2' (temperatuurinsteltoets '+') wordt ingedrukt om de temperatuur van de koelkast of vriezer aan te passen, knippert de indicator 'a1' (Auto Set-indicator) met een snel geluid om aan te geven dat deze handeling niet kan worden uitgevoerd.

Als in de Auto Set-modus de functie 'Super-Cool', 'Super-Freeze' of 'Holiday' wordt ingesteld, gaat vanwege verschillende bedieningsmethoden de indicator 'a1' (Auto Set-modus) uit en wordt de Auto Set-functie automatisch verlaten.

## De Holiday-modus (vakantiemodus)

De Holiday-modus is ontworpen voor als de koelkast langere tijd niet wordt gebruikt. Wanneer de Holiday-modus is ingeschakeld, werkt de vriezer als normaal en wordt de temperatuur van de koelkast automatisch ingesteld op 17°C. De daadwerkelijke temperatuur is niet hoger dan 17°C, wat een nare geur veroorzaakt door een te hoge temperatuur voorkomt en tegelijkertijd helpt het energieverbruik te verminderen.

1. Wanneer het display is ontgrendeld, drukt u op de toets 'B' (keuzetoets Holiday-modus). De zoemer klinkt eenmaal, de indicator 'b' (Holiday-modus) gaat branden en de Holiday-functie wordt ingeschakeld.
2. Wanneer de indicator 'b' (Holiday-modus) brandt, drukt u op de toets 'B' (keuzetoets Holiday-modus). De zoemer klinkt eenmaal, de indicator 'b' (Holiday-modus) gaat uit en de Holiday-functie wordt uitgeschakeld.



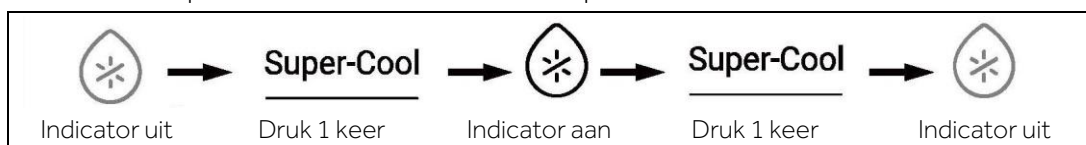
**i** Let op

In de Holiday-toestand kan de koelkasttemperatuur niet worden aangepast. Als de toets 'D1' (temperatuurinsteltoets '-') of toets 'D2' (temperatuurinsteltoets '+') wordt ingedrukt om de temperatuur van de koelkast aan te passen, knippert de indicator 'b' (Holiday-indicator) met een snel geluid om aan te geven dat deze handeling niet kan worden uitgevoerd.

Voordat u de Holiday-functie gebruikt, moet u de koelkast leegmaken om te voorkomen dat het voedsel erin bederft. Wanneer de Holiday-functie is ingeschakeld, kunnen de functies 'Auto Set' en 'Super-Cool' niet tegelijkertijd worden ingeschakeld.

**Super-Cool-functie**

1. Wanneer het display is ontgrendeld, drukt u op de toets 'F' (keuzetoets Super-Cool). De zoemer klinkt eenmaal, de indicator 'f' (Super-Cool-functie) gaat branden en de Super-Cool-functie wordt ingeschakeld.
2. Wanneer de indicator 'f' (Super-Cool-functie) brandt, drukt u op de toets 'F' (keuzetoets Super-Cool). De zoemer klinkt eenmaal, de indicator 'f' (Super-Cool-functie) gaat uit en de Super-Cool-functie wordt uitgeschakeld.
3. Nadat de Super-Cool-functie is ingeschakeld, schakelt de koelkast automatisch de functie uit wanneer deze de ingestelde toestand bereikt. Als u de functie handmatig wilt verlaten, kunt u op de toets 'F' (keuzetoets Super-Cool) drukken om hem uit te schakelen.



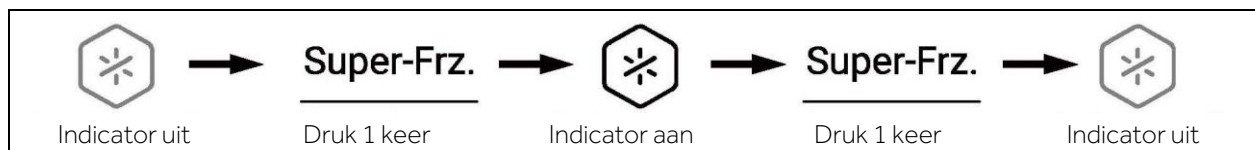
**i** Let op

In de Super-Cool-toestand kan de koelkasttemperatuur niet worden aangepast. Als de toets 'D1' (temperatuurinsteltoets '-') of toets 'D2' (temperatuurinsteltoets '+') wordt ingedrukt om de temperatuur van de koelkast aan te passen, knippert de indicator 'f' (Super-Cool-indicator) met een snel geluid om aan te geven dat deze handeling niet kan worden uitgevoerd.

In de Super-Cool-functie kan de Auto-Set-functie of de Holiday-functie niet tegelijkertijd worden ingeschakeld vanwege verschillende bedieningsmodi. Wanneer u een functie kiest die in strijd is met een andere functie, zal de oorspronkelijke functie automatisch worden verlaten.

## De Super-Freeze-functie (Super-Frz)

1. Wanneer het display is ontgrendeld, drukt u op de toets 'E' (keuzetoets Super-Frz.). De zoemer klinkt eenmaal, de indicator 'e1' (Super-Freeze-functie) gaat branden en de Super-Freeze-functie wordt ingeschakeld.
2. Wanneer de indicator 'e1' (Super-Freeze-functie) brandt, drukt u op de toets 'E' (keuzetoets Super-Frz.). De zoemer klinkt eenmaal, de indicator 'e1' (Super-Freeze-functie) gaat uit en de Super-Freeze-functie wordt uitgeschakeld.
3. Nadat de Super-Freeze-functie is ingeschakeld, schakelt de koelkast automatisch de functie uit wanneer deze de ingestelde toestand bereikt. Als u de functie handmatig wilt verlaten, kunt u op de toets 'E' (keuzetoets Super-Frz.) drukken om hem uit te schakelen.



### Let op

In de Super-Freeze-toestand kan de vriezertemperatuur niet worden aangepast. Als de toets 'D1' (temperatuurinsteltoets '-') of toets 'D2' (temperatuurinsteltoets '+') wordt ingedrukt om de temperatuur van de vriezer aan te passen, knippert de indicator 'e1' (Super-Frz.-indicator) met een snel geluid om aan te geven dat deze handeling niet kan worden uitgevoerd.

In de Super-Freeze-functie kan de Auto-Set-functie niet tegelijkertijd worden ingeschakeld vanwege verschillende bedieningsmodi. Wanneer u een functie kiest die in strijd is met een andere functie, zal de oorspronkelijke functie automatisch worden verlaten.

## De filterfunctie

Wanneer de koelkast zes maanden in werking is, zal de herinneringsindicator 'c3' (Filter Reset-functie) gaan branden om gebruikers eraan te herinneren het filter te vervangen door een nieuwe. Houd als het filter is vervangen de toets 'C' (keuzetoets Filter Reset-functie) 3 seconden ingedrukt om de herinnering te annuleren. De timer wordt gereset en de zoemer klinkt.

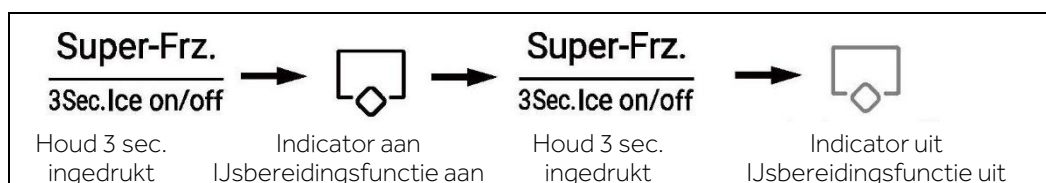


### Let op

De normale levensduur van een filter is zes maanden. Het wordt aangeraden het filter om de zes maanden te vervangen.

## De ijsmakermodus

1. Druk in ontgrendelde toestand op de toets 'E' (keuzetoets ijsmakermodus) en houd 3 seconden ingedrukt. De zoemer klinkt eenmaal, de indicator 'e2' (ijsmakermodus) gaat branden en de ijsmakermodus wordt ingeschakeld.
2. Wanneer de indicator 'e2' (ijsmakermodus) brandt, drukt u op de toets 'E' (keuzetoets ijsmakermodus) en houd 3 seconden ingedrukt. De zoemer klinkt eenmaal, de indicator 'e2' (ijsmakermodus) gaat uit en de ijsmakermodus wordt uitgeschakeld.



### Let op

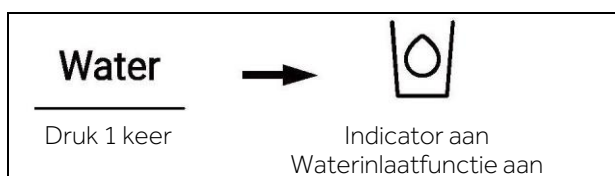
Wanneer de toepassing wordt ingeschakeld, staat de ijsmaker standaard uit.

Wanneer u gedurende langere tijd geen ijsblokjes nodig heeft, schakel dan de ijsmakerfunctie uit, maak het reservoir leeg en plaats het schoongemaakte reservoir terug.

De ijsmaker kan alleen worden geconfigureerd door de fabrikant of worden gekocht bij diens servicevertegenwoordiger.

## De waterinlaatfunctie

Druk in willekeurige toestand (vergrendeld of ontgrendeld) op de toets 'H1' (keuzetoets waterinlaatfunctie). De zoemer klinkt eenmaal, de indicator 'h1' (waterinlaatfunctie) gaat branden en de waterinlaatfunctie wordt ingeschakeld.



### Let op

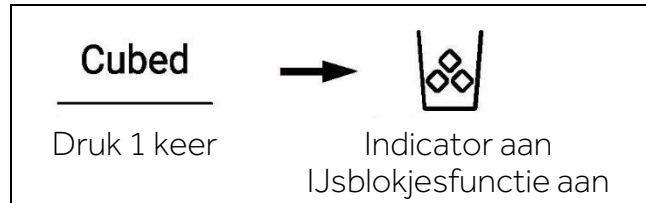
1. Wanneer de indicator 'h1' (Waterinlaatfunctie) brandt, gaan de indicator 'h2' (ijsblokjesfunctie) en de indicator 'h3' (ijsschilferfunctie) uit. Nadat de dispenserplaat is ingedrukt, stroomt het water uit de inlaatpoort.
2. Wanneer de toevoertijd van het water 150 sec. bereikt, zal de koelkast piepen en water blijven opnemen tot de tijd 180 sec. bereikt. Het water wordt afgesloten en het waterventiel gaat de beschermingstijd van 200 sec. in, waarna de watertoevoer opnieuw kan worden uitgevoerd.
3. Wanneer de toevoertijd van het water 5 min bereikt in een tijdsbestek van maximaal 10 min, dan gaat het waterventiel de beschermingstijd van 10 min. in en kan de watertoevoer vervolgens opnieuw worden uitgevoerd.





## De ijsblokjesfunctie

Druk in willekeurige toestand (vergrendeld of ontgrendeld) op de toets 'H2' (keuzetoets ijsblokjesfunctie). De zoemer klinkt eenmaal, de indicator 'h2' (ijsblokjesfunctie) gaat branden en de ijsblokjesfunctie wordt ingeschakeld.

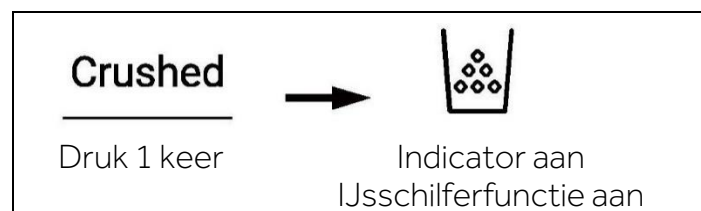


### Let op

1. Wanneer de indicator 'h2' (ijsblokjesfunctie) brandt, gaan de indicator 'h1' (waterinlaatfunctie) en de indicator 'h3' (ijsschilferfunctie) uit. Nadat de microschakelaar van de dispenser is ingedrukt, stromen de ijsblokjes uit de inlaatpoort.
2. Wanneer de ijsmaker voor het eerst wordt aangesloten op de elektriciteit, wordt de ijsblokjesfunctie standaard uitgeschakeld.
3. Druk op de microschakelaar van de dispenser, het lampje gaat branden en het deksel gaat open. Daarna begint de motor van het malen van ijs linksom te draaien om ijsblokjes te drukken. Laat de microschakelaar van de dispenser los. De motor van het ijsbreken stopt, het deksel van de dispenser sluit en het lampje gaat na 5 seconden uit.
4. Als in de ijsblokjestoestand de tijd voor ijsblokjes langer is dan 50 seconden, dan waarschuwt de zoemer gebruikers om te stoppen. Wanneer de tijd 1 minuut bereikt, wordt de machine gedwongen te stoppen met het afgeven van ijsblokjes en is weer effectief wanneer de schakelaar de volgende keer wordt ingedrukt.
5. Als tijdens het afgeven van ijsblokjes de koelkastdeur wordt geopend, dan stopt de motor die het ijs levert; het deksel van de dispenser gaat dicht, het lampje van de dispenser gaat uit en de afgifte van de ijsblokjes wordt gestopt.
6. Het is niet toegestaan ijs te pakken met de koelkastdeur open.

## Ijsschilferfunctie

Druk in willekeurige toestand (vergrendeld of ontgrendeld) op de toets 'H3' (keuzetoets ijsschilferfunctie). De zoemer klinkt eenmaal, de indicator 'h3' (ijsschilferfunctie) gaat branden en de ijsschilferfunctie wordt ingeschakeld.



## **i** Let op

Wanneer de indicator 'h3' (ijsschilferfunctie) brandt, gaan de indicator 'h1' (waterinlaatfunctie) en de indicator 'h2' (ijsblokjesfunctie) uit. Nadat de microschakelaar van de dispenser is ingedrukt, stromen de ijsschilfers uit de inlaatpoort.

Druk op de microschakelaar van de dispenser, het lampje gaat branden en het deksel gaat open. Daarna begint de motor van het malen van ijs rechtsom te draaien om ijsblokjes te drukken. Laat de microschakelaar van de dispenser los. De motor van het ijsbreken stopt, het deksel van de dispenser sluit en het lampje gaat na 5 seconden uit.

Als in de ijsschilfertoestand de tijd voor ijsschilfers langer is dan 50 seconden, dan waarschuwt de zoemer gebruikers om te stoppen. Wanneer de tijd 1 minuut bereikt, wordt de machine gedwongen te stoppen met het afgeven van ijsschilfers en is weer effectief wanneer de schakelaar de volgende keer wordt ingedrukt.

Als tijdens het afgeven van ijsschilfers de koelkastdeur wordt geopend, dan stopt de motor die het ijs levert; het deksel van de dispenser gaat dicht, het lampje van de dispenser gaat uit en de afgifte van de ijsschilfers wordt gestopt.

Het is niet toegestaan ijsschilfers te maken met de koelkastdeur open.

### **Alarm 'Deur open'**

Als een deur te lang open staat of de deur niet goed is gesloten, zal de koelkast met vaste intervallen een pieptoon laten klinken om u eraan te herinneren de deur op tijd te sluiten.

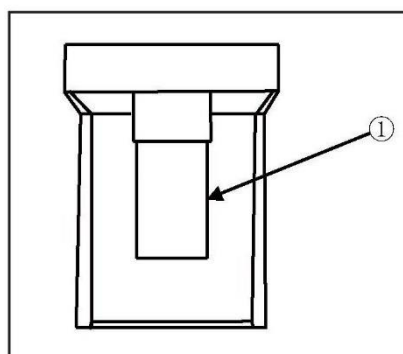
### **Uitschakelgeheugen**

De werkingstoestand ten tijde van uitschakeling wordt onthouden. Nadat het apparaat weer ingeschakeld is, werkt het nog steeds volgens de instellingen van voordat het apparaat werd uitgeschakeld.

### **Gebruik van de ijs- en waterdispenser**

Druk meerdere malen op de selectietoets van de dispenser tot boven het lampje dat u wilt oplicht.

Druk met een glas of andere houder tegen de dispenserplaat (1) om ijsblokjes, water of ijsschilfers te pakken.

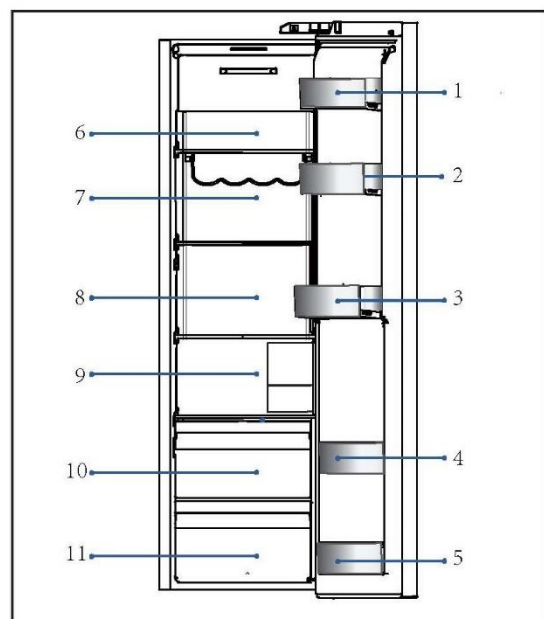


## TIPS VOOR HET BEWAREN VAN VERS VOEDSEL

### Bewaren in het koelkastcompartiment

1. Houd de koelkasttemperatuur lager dan 5°C.
2. Laat warm voedsel afkoelen tot kamertemperatuur voordat u het in het apparaat opbergt.
3. In de koelkast opgeslagen levensmiddelen moeten worden gewassen en afgedroogd voordat zij worden opgeborgen.
4. Het te bewaren voedsel moet goed afgesloten zijn om geur- of smaakveranderingen te voorkomen.
5. Bewaar geen overmatige hoeveelheden voedsel. Laat ruimtes tussen voedingswaren zodat er koude lucht omheen kan stromen, voor een betere en gelijkmatiger koeling.
6. Voedsel dat dagelijks wordt gegeten moet worden bewaard aan de voorkant van de plank.
7. Laat ruimte tussen voedingswaren en de binnenwanden, zodat lucht kan stromen. Bewaar vooral geen voedsel tegen de achterwand: voedsel kan tegen achterwand bevroren. Vermijd direct contact tussen voedsel (met name vette of zure voedingsproducten) met de binnenvoering, omdat olie/zuur de binnenvoering kan beschadigen. Haal vettig en zuur vuil altijd weg wanneer het wordt ontdekt.
8. Ontdooi bevroren voedsel in het koelkastgedeelte. Op deze manier kunt u het ingevroren voedsel gebruiken om de temperatuur in het compartiment te verlagen en energie te besparen.
9. Het rijpingsproces van groenten en fruit zoals courgette, meloen, papaja, banaan, ananas, etc. kan in de koelkast versneld worden. Daarom is het niet aan te raden om deze in de koelkast te bewaren. Het rijpen van onrijp fruit kan echter wel worden versneld gedurende een bepaalde periode. Uien, knoflook, gember en andere wortelgroenten moeten ook bij kamertemperatuur worden bewaard.
10. Onaangename geurtjes in de koelkast zijn een teken dat er iets is gemorst en moet worden schoongemaakt. Zie ONDERHOUD EN REINIGING.
11. Verschillende soorten voedingswaren moeten op verschillende plaatsen worden geplaatst naargelang de eigenschappen ervan:

- 1- Boter, kaas, etc.
- 2- Eieren, conserven, specerijen, etc.
- 3/4/5- Dranken en voedingsmiddelen in een fles.
- 6- Ingemaakt voedingsmiddelen, conserven, etc.
- 7/8- Vleesproducten, vis, rauw voedsel
- 9- Blikjes, zuivelproducten, etc.
- 10- Fruit, groenten, sla, etc.
- 11- Gekookt vlees, worstjes, etc.

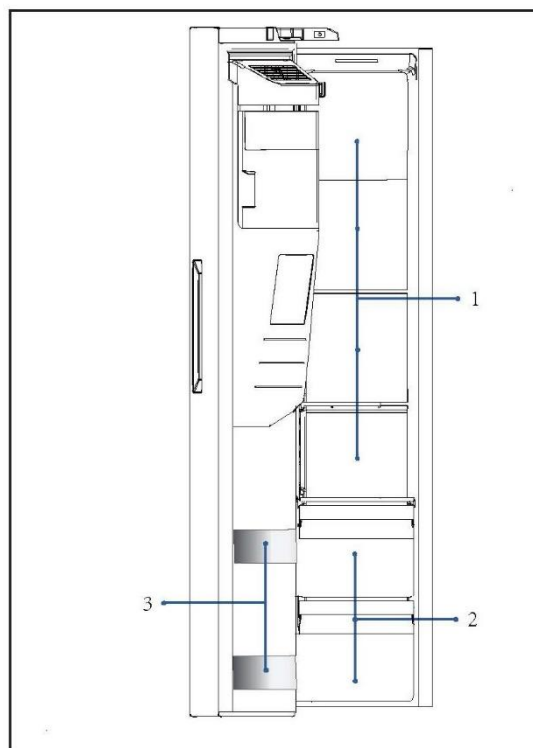


## TIPS VOOR HET BEWAREN VAN VERS VOEDSEL

### Bewaren in het vriezergedeelte

1. Houd de temperatuur van de vriezer op  $-18^{\circ}\text{C}$ .
2. Schakel 12 uur voor het invriezen van extra producten de Super-Freeze-functie in. Voor kleine hoeveelheden voedsel is 4–6 uur voldoende.
3. Warm voedsel moet eerste worden afgekoeld tot kamertemperatuur voordat het in het vriezergedeelte kan worden bewaard.
4. Voedsel dat in kleine porties is gesneden zal sneller bevroren en is gemakkelijker te ontdooien en bereiden. Het aanbevolen gewicht per portie bedraagt minder dan 2,5 kg.
5. Het is beter om voedsel te verpakken voordat u het in de vriezer plaatst. De buitenkant van de verpakking moet droog zijn om te voorkomen dat de zakken aan elkaar blijven plakken. Verpakkingsmaterialen moeten geurvrij, luchtdicht, niet-giftig en niet-toxisch zijn.
6. Schrijf om overschrijden van de houdbaarheidstermijnen te voorkomen de invriesdatum, de tijdlimiet en de naam van het voedsel op de verpakking volgens de bewaartermijnen van de verschillende levensmiddelen.
7. **WAARSCHUWING!:** Zuren, basen en zout, etc. kunnen het interne oppervlak van de vriezer wegvreten. Plaats voedsel met deze stoffen (bijv. vis uit de zee) niet direct tegen de binnenzijde. Zout water in de diepvriezer moet onmiddellijk worden verwijderd.
8. Overschrijd niet de door de fabrikanten aanbevolen bewaartijden van levensmiddelen. Neem alleen de benodigde hoeveelheid voedsel uit de vriezer.
9. Verschillende soorten voedingswaren moeten op verschillende plaatsen worden geplaatst naargelang de eigenschappen ervan:

- 1- Minder zware artikelen, zoals ijs, groenten, brood, etc.
- 2- Grote/zwaardere porties voedsel, zoals braadstukken van vlees
- 3- Pizza, etc.





## LET OP: OPSLAG

1. Houd een afstand van meer dan 10 mm aan tussen het voedsel en de sensor om het koelingseffect te garanderen.
2. Laat de onderste lade in het apparaat zitten wanneer het aan staat, om het koelingseffect te garanderen.
3. Levensmiddelen met ijs (zoals roomijs) moeten in het vriezergedeelte worden bewaard in plaats van in de flessenhouders. De temperatuurschommelingen waaraan de flessenhouders worden blootgesteld, veroorzaakt door het openen en sluiten van de deur, kunnen het voedsel doen ontdooien.
4. Gebruik ontdooide etenswaren zo snel mogelijk. Ontdooid voedsel kan niet opnieuw worden ingevroren tenzij het eerst wordt gekookt, anders kan het oneetbaar worden.
5. Plaats geen overmatige hoeveelheden vers voedsel in het vriezergedeelte. Zie de vriescapaciteit van de diepvriezer – zie TECHNISCHE GEGEVENS of de gegevens op het typeplaatje.
6. Levensmiddelen kunnen bij een temperatuur van ten minste  $-18^{\circ}\text{C}$  gedurende 2 tot 12 maanden in de vriezer worden bewaard, afhankelijk van de eigenschappen (bijv. vlees: 3–12 maanden, groenten: 6–12 maanden).
7. Vermijd bij het invriezen van vers voedsel dat het in contact komt met al ingevroren levensmiddelen. Risico op ontdooien!
8. Ontdooi bevroren voedsel in de koelkast. Op deze manier kunt u het ingevroren voedsel gebruiken om de temperatuur in het compartiment te verlagen en energie te besparen.

### **Volg de volgende richtlijnen bij het opslaan van commercieel ingevroren levensmiddelen:**

1. Volg altijd de richtlijnen van de fabrikanten voor hoe lang u het voedsel kunt bewaren. Overschrijd deze richtlijnen niet!
2. Probeer de tijd tussen aankoop en opslag zo kort mogelijk te houden om de voedselkwaliteit te behouden.
3. Koop alleen diepvriesproducten die bij een temperatuur van  $-18^{\circ}\text{C}$  of lager zijn bewaard.
4. Vermijd het kopen van voedsel dat ijs of rijp op de verpakking heeft. Dit wijst erop dat de producten op een bepaald moment gedeeltelijk ontdooid en opnieuw ingevroren kunnen zijn – temperatuurstijgingen hebben invloed op de kwaliteit van het voedsel.

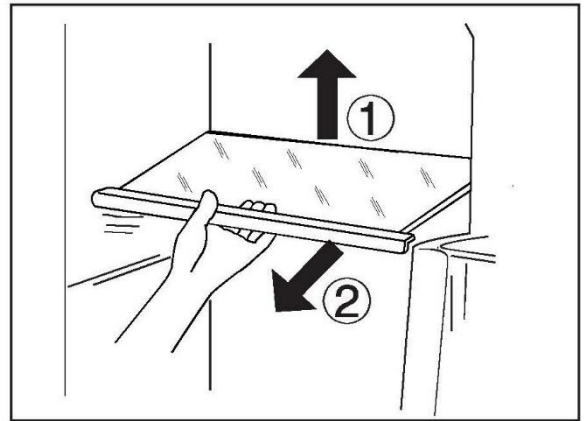


## Tips voor energiebesparing

- ▶ Zorg ervoor dat het apparaat goed wordt geventileerd (raadpleeg INSTALLATIE).
- ▶ Installeer het apparaat niet in direct zonlicht of in de buurt van warmtebronnen (bijv. kachels, verwarmingstoestellen).
- ▶ Vermijd onnodig lage temperaturen in het apparaat. Het energieverbruik neemt toe naarmate de temperatuur in het apparaat lager is ingesteld.
- ▶ Functies zoals de POWER-FREEZE-functie verbruiken meer energie.
- ▶ Laat warm voedsel afkoelen voordat u het in de koelkast plaatst.
- ▶ Open de deur van het apparaat zo weinig en zo kort mogelijk.
- ▶ Vul het apparaat niet te vol om te voorkomen dat de luchtdoorstroming wordt geblokkeerd.
- ▶ Vermijd lucht in de verpakking van het voedsel.
- ▶ Houd de deurpakking schoon, zodat de deur altijd goed sluit.
- ▶ Ontdooi bevroren voedsel in het koelkastgedeelte.
- ▶ De meest energiebesparende configuratie vereist dat de lades, voedselbakken en planken in fabrieksstaat worden gehouden, en dat voedsel zo diep mogelijk wordt geplaatst zonder dat de openingen van het luchtkanaal worden geblokkeerd.

### Verstelbare planken

1. De hoogte van de planken kan worden aangepast aan uw opslagbehoeften.
2. Om een plank te verplaatsen, verwijdert u hem eerst door de achterrand ① op te tillen en de plank eruit ② te trekken.
3. Om hem weer te installeren, plaatst u hem op de nokjes aan beide kanten en duwt u hem helemaal naar achteren tot de achterkant van de plank vastzit in de gleuven in de zijkanten.

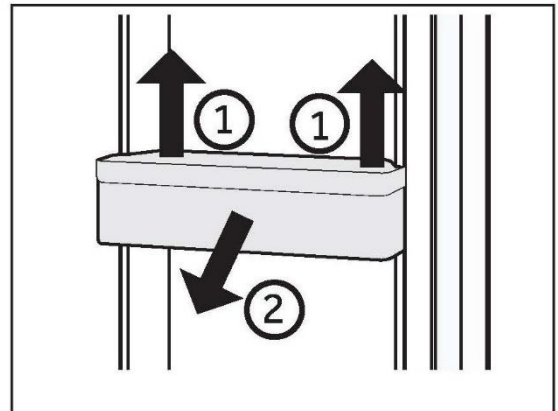


### LET OP

Zorg ervoor dat alle kanten van een plank vlak zijn.

### Verwijderbare deurrekken/fleshouder

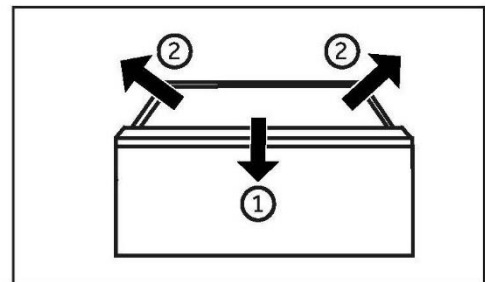
1. De deurrekken/flessenhouder kunnen worden verwijderd voor reiniging:
2. Plaats uw handen aan beide kanten van de rekken/flessenhouder, til omhoog ① en trek eruit ②.
3. Voer de bovenstaande stappen in omgekeerde volgorde uit om de rekken/flessenhouder weer terug te plaatsen.



### Verwijderbare lade

Om de lade te verwijderen, trekt u deze zo ver mogelijk naar buiten ①, daarna optillen en verwijderen ②.

Voer de bovenstaande stappen in omgekeerde volgorde uit om lade weer terug te plaatsen.



### IJsreservoir

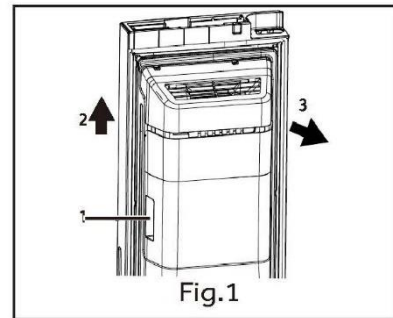
#### De productie van ijs stoppen

Als er gedurende langere tijd geen ijs of water nodig is, kan de klep tussen de watertoevoer en het apparaat worden dichtgedraaid.

De ijsbak moet worden schoongemaakt, gedroogd en weer in het apparaat worden geplaatst om het ontstaan van geuren te voorkomen.

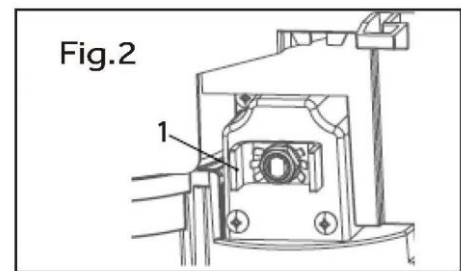
### Het ijsreservoir verwijderen

1. Pak beide zijgrepen vast.
2. Til het reservoir op.
3. Trek het reservoir eruit.



### Het ijsreservoir terugplaatsen

Om het ijsreservoir terug te plaatsen moet de U-vormige beugel achter het ijsreservoir (1 in afb. 2) worden uitgelijnd met de overeenkomstige metalen structuur. Volg de stappen van afb. 1 in omgekeerde volgorde.



## LET OP

Vocht kan condenseren en de ijsbak doen vastvriezen.





### WAARSCHUWING!

Haal de stekker van het apparaat uit het stopcontact voordat u het reinigt.

#### Reinigen

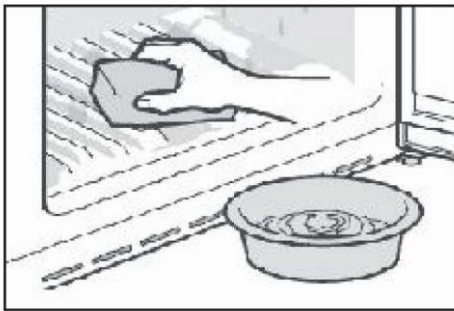
Reinig het apparaat als er weinig of geen voedsel in is opgeslagen.

Het apparaat moet om de vier weken worden schoongemaakt voor een goed onderhoud en om nare voedselgeuren te voorkomen.



### WAARSCHUWING!

- ▶ Reinig het apparaat niet met harde borstels, draadborstels, waspoeder, benzine, amylicetaat, aceton en soortgelijke organische oplossingen, zure of alkalische oplossingen. Reinig het apparaat met een speciaal reinigingsmiddel voor koelkasten om schade te voorkomen.
- ▶ Spuit niet op het apparaat en spoel het niet af tijdens het reinigen.
- ▶ Gebruik geen waterstraal of stoom om het apparaat schoon te maken.
- ▶ Reinig de koude glazen planken niet met heet water. Door plotselinge temperatuurveranderingen kan het glas breken.
- ▶ Raak het binnenoppervlak van het vriezergedeelte niet aan, vooral niet met natte handen, omdat uw handen aan het oppervlak vast kunnen vriezen.
- ▶ Controleer in geval van opwarming de toestand van de ingevroren producten.



- ▶ Houd de deuropakking altijd schoon.
  - ▶ Reinig de binnenkant en behuizing van het apparaat met een spons die is bevochtigd in warm water en een neutraal reinigingsmiddel.
1. Was de binnenkant en buitenkant van de koelkast, waaronder deurrubbers, deurrek, glazen planken, bakken enzovoort, met een zachte handdoek of spons die in warm water is gedrenkt (u mag een neutraal schoonmaakmiddel toevoegen aan het warme water).
  2. Als er vloeistof is gemorst, verwijder dan alle verontreinigde onderdelen en spoel ze direct af met het stromend water. Daarna afdrogen en terug in de koelkast plaatsen.
  3. Als er room (zoals koffiemelk, smeltend ijs) wordt gemorst, moeten alle verontreinigde delen worden verwijderd. Zet ze een tijdje in warm water van ongeveer 40°C en spoel vervolgens af met stromend water. Daarna afdrogen en terug in de koelkast plaatsen.
  4. Als een klein deeltje of onderdeel vast komt te zitten in de koelkast (tussen planken of laden), gebruik dan een klein, zacht borsteltje om het weg te halen. Als u het onderdeel niet kan bereiken, neem dan contact op met de klantenservice van Haier.
- ▶ Spoel af en droog af met een zachte doek.
  - ▶ Reinig de onderdelen van het apparaat niet in een vaatwasser.
  - ▶ Laat het apparaat minstens 5 minuten rusten voordat u het opnieuw opstart, omdat vaak opstarten de compressor kan beschadigen.

#### Ontdooien

Het ontdooien van de koelkast en het vriezergedeelte gebeurt automatisch; er is geen handmatige actie nodig.



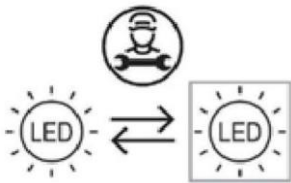
De ledlampjes vervangen



### WAARSCHUWING!

Vervang de ledlamp niet zelf, deze mag alleen worden vervangen door de fabrikant of door de erkende servicevertegenwoordiger.

De lamp heeft een led als lichtbron, met een laag energieverbruik en een lange levensduur. Als er sprake is van een afwijking, neem dan contact op met de klantenservice. Zie KLANTENSERVICE.



Vervangbare lichtbron (alleen led), te vervangen door een professional.

Dit product bevat een lichtbron van energie-efficiëntieklasse G.

Compartiment	Spanning	Energie-efficiëntieklasse	Model
Koelkast	12 V	G	HSW59F18DIMM
Vriezer	12 V	G	HSW79F18DIPT
Achterwandverlichting	12 V	G	HSW79F18DIPT

### Het ijsreservoir schoonmaken

Maak het ijsreservoir regelmatig schoon met warm water, vooral als de ijsblokjes ouder en muff worden. Droog het reservoir goed af voordat u het terugplaatst in het apparaat om te voorkomen dat ijsblokjes aan de wanden blijven plakken.

### Geen gebruik voor een langere periode

Als het apparaat gedurende langere tijd niet wordt gebruikt en u gebruikt niet de Holiday-functie bij de koelkast:

- ▶ Haal het voedsel eruit.
- ▶ Haal de stekker van het netsnoer uit het stopcontact.
- ▶ Reinig het apparaat zoals hierboven beschreven.
- ▶ Houd de deuren open om de vorming van nare geuren binnenin te voorkomen.



### LET OP

Schakel het apparaat alleen uit als dat echt nodig is.



### Het apparaat verplaatsen

1. Verwijder alle etenswaren en haal de stekker van het apparaat uit het stopcontact.
2. Maak planken en andere beweegbare delen in de koelkast en vriezer vast met plakband.
3. Kantel de koelkast niet meer dan 45° om schade aan het koelsysteem te voorkomen.



### WAARSCHUWING!

- ▶ Til het apparaat niet op aan de grepen.
- ▶ Plaats het apparaat nooit horizontaal op de grond.

### Het filter vervangen

Het waterfilter moet ongeveer om de 6 maanden worden vervangen, wanneer de indicator 'c3' (Filter Reset-functie) gaat branden.

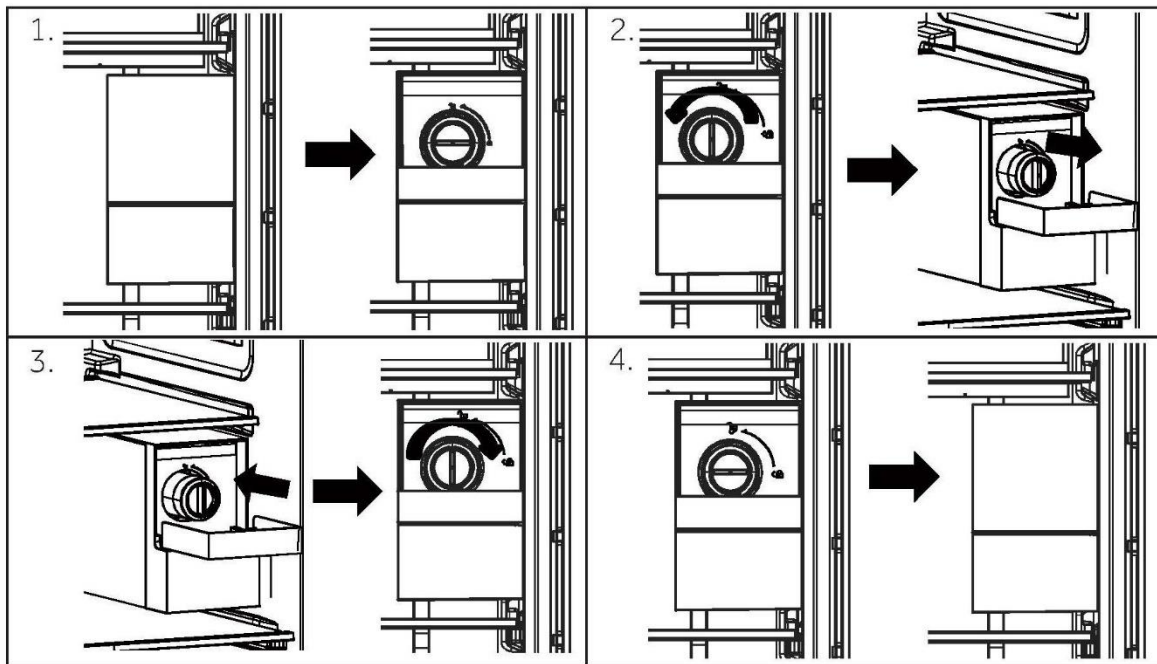
Een vervangend waterfilter kopen:

- Gebruik een vervangend patroon: HRXWF,
- Ga naar uw lokale dealer of distributeur. Breng voor verdere hulp een bezoek aan onze website op [www.haiersparses.eu](http://www.haiersparses.eu).



### Let op

- ▶ Het vervangen van het waterfilter zorgt ervoor dat een kleine hoeveelheid water (ongeveer 25 ml) weglekt.
  - ▶ Wikkel een doek om de voorkant van het deksel van het waterfilter om lekkend water op te vangen. Houd het waterfilter rechtop zodra het is verwijderd, om te voorkomen dat het resterende water uit het waterfilter morst.
1. Druk op het midden van de bovenklep en draai hem naar beneden.
  2. Verwijder het wegwerpwaterfilter.
  3. Vervang het door een nieuw waterfilter. Steek het nieuwe filter in de filterkop en draai het rechtsom tot de pijl op het nieuwe filter op één lijn zit met de pijl op de filterkop. Draai het filter terug in het compartiment.
  4. Sluit het deksel van het waterfilter.



5. Houd de knop 3Sec. Filter Reset 3 seconden ingedrukt.
6. Tap ongeveer 5 minuten lang water af om ingesloten lucht en verontreinigingen te verwijderen.



## VOORZICHTIG!

- ▶ Als de filters niet worden vervangen wanneer het nodig is of als geen door Haier toegestane waterfilters worden gebruikt, dan kan het filterpatroon gaan lekken en schade veroorzaken.

### Het waterfilter

#### Model: Haier HRXWF

- ▶ Systeem gecertificeerd door IAPMO R&T ten opzichte van NSF/ANSI-normen 42, 53, 401 en P473 voor de vermindering van de claims vermeld op het prestatiegegevensblad en op iapmort.org.
- ▶ De daadwerkelijke prestatie kan afwijken als gevolg van plaatselijke wateromstandigheden.

### Toelichtingsrichtlijnen/watervoorziensingsparameters

Doorstroming: 1,89 l/min. (0,5 gal/min.)

Watervoorziening: Drinkwater

Waterdruk: 172–827 kPa (25–120 psi)

Watertemperatuur: 0,6°C–38°C

Capaciteit: 643,5 liter (170 gallons)



Het is van essentieel belang dat de door de fabrikant aanbevolen eisen inzake installatie, onderhoud en filtervervanging worden uitgevoerd zoals aangeprezen. Raadpleeg de installatiehandleiding voor informatie over de garantie.

### Let op

Hoewel de testen werden uitgevoerd onder standaard laboratoriumomstandigheden, kan de werkelijke prestatie afwijken. Vervangend patroon: HRXWF. Voor de geschatte kosten van vervangende elementen kunt u terecht op onze website op [www.haiersparses.eu](http://www.haiersparses.eu).

### WAARSCHUWING!

- ▶ Om het risico in verband met inname van verontreinigingen te verminderen:
- ▶ Niet gebruiken met water dat microbiologisch onveilig of van onbekende kwaliteit is zonder adequate ontsmetting. Systemen die zijn gecertificeerd voor cystereductie mogen worden gebruikt met gedesinfecteerd water dat filterbare cysten kan bevatten.

### Let op

#### **Om het risico van waterlekage of overstrooming te verminderen en een optimale filterprestatie te garanderen:**

- ▶ Lees en volg de gebruiksinstructies voordat u dit systeem installeert en gebruikt.
- ▶ Installatie en gebruik MOETEN voldoen aan alle nationale en lokale watertechnische voorschriften.
- ▶ Installeer het apparaat niet als de waterdruk hoger is dan 827 kPa (120 psi). Als uw waterdruk hoger is dan 552 kPa (80 psi), moet u een drukbegrenzer installeren. Neem contact op met een deskundig loodgieter als u niet zeker weet hoe u uw waterdruk kunt controleren.
- ▶ Niet installeren waar waterslagomstandigheden kunnen voorkomen. Als er sprake is van waterslag dan moet u een waterslagdemper installeren. Neem contact op met een deskundig loodgieter als u niet zeker weet hoe u dit moet controleren.
- ▶ Niet installeren op de waterleidingsleidingen voor warm water. De maximale bedrijfstemperatuur van het water van dit filtersysteem is 38°C.
- ▶ Bescherm het filter tegen bevriezing. Laat het filter uitlekken bij temperaturen onder 0,6°C.
- ▶ Vervang het wegwerpfilterpatroon om de zes maanden of eerder als u een merkbare afname van de waterstroomsnelheid bemerkt.
- ▶ Het niet met aanbevolen tussenpozen vervangen van het wegwerpfilterpatroon kan leiden tot verminderde filterprestaties en scheuren in het filterhuis, waardoor water kan lekken of overstromen.
- ▶ Dit systeem is getest volgens NSF/ANSI 42, 53, 401 en P473 voor de terugdringen van de hieronder vermelde stoffen. De concentratie van de aangegeven stoffen in water dat het systeem binnenkomt, werd teruggebracht tot een concentratie die kleiner is dan of gelijk is aan de toelaatbare grenswaarde voor water dat het systeem verlaat, zoals gespecificeerd in NSF/ANSI 42, 53, 401 en P473.

Veel problemen kunnen door uzelf worden opgelost zonder specifieke expertise. Raadpleeg in geval van een probleem alle getoonde mogelijkheden en volg de onderstaande instructies voordat u contact opneemt met de klantenservice. Zie KLANTENSERVICE.



### WAARSCHUWING!

- ▶ Schakel het apparaat uit voordat u onderhoud uitvoert en haal de stekker uit het stopcontact.
- ▶ Elektrische apparatuur mag alleen worden onderhouden door gekwalificeerde elektrische experts, omdat onjuiste reparaties aanzienlijke gevolgschade kunnen veroorzaken.
- ▶ Als de voeding beschadigd is, mag deze alleen worden vervangen door de fabrikant, diens servicevertegenwoordiger of vergelijkbaar gekwalificeerde personen om gevaar te voorkomen.

Probleem	Mogelijke oorzaak	Mogelijke oplossing
De compressor werkt niet.	<ul style="list-style-type: none"> <li>• De netstekker is niet aangesloten op het stopcontact.</li> <li>• Het apparaat is aan het ontdooien.</li> </ul>	<ul style="list-style-type: none"> <li>• Steek de stekker in het stopcontact.</li> <li>• Dit is normaal voor automatisch ontdooien.</li> </ul>
Het apparaat loopt vaak of te lang.	<ul style="list-style-type: none"> <li>• De binnen- of buitentemperatuur is te hoog.</li> <li>• Het apparaat is een tijd lang niet ingeschakeld geweest.</li> <li>• Een deur van het apparaat is niet goed gesloten.</li> <li>• De deur is te vaak of te lang geopend.</li> <li>• De temperatuurinstelling voor het vriezergedeelte is te laag.</li> <li>• De deurpakkingen zijn vuil, versleten, gebarsten of niet goed op elkaar afgestemd.</li> <li>• De vereiste luchtcirculatie is niet gegarandeerd.</li> </ul>	<ul style="list-style-type: none"> <li>• In dit geval is het normaal dat het apparaat langer werkt.</li> <li>• Normaal gesproken duurt het 8–12 uur voordat het apparaat volledig is afgekoeld.</li> <li>• Sluit de deur/lade en zorg ervoor dat het apparaat op een vlakke ondergrond staat en dat er geen etenswaren of voedselbakjes de deur blokkeren.</li> <li>• Open de deur/lade niet te vaak.</li> <li>• Stel de temperatuur hoger in totdat een toereikende koelkasttemperatuur is bereikt. Het duurt 24 uur voordat de koelkasttemperatuur stabiel is.</li> <li>• Reinig de deur-/ladepakkingen of laat ze vervangen door de klantenservice.</li> <li>• Zorg voor voldoende ventilatie.</li> </ul>



Probleem	Mogelijke oorzaak	Mogelijke oplossing
De binnenkant van de koelkast is vies en/of stinkt.	<ul style="list-style-type: none"><li>• De binnenkant van de koelkast moet worden schoongemaakt.</li><li>• Er wordt voedsel met een sterke geur bewaard in de koelkast.</li></ul>	<ul style="list-style-type: none"><li>• Reinig de binnenkant van de koelkast.</li><li>• Verpak het voedsel goed.</li></ul>
Het apparaat maakt afwijkende geluiden.	<ul style="list-style-type: none"><li>• Het apparaat staat niet op een vlakke ondergrond.</li><li>• Het apparaat raakt voorwerpen rondom.</li></ul>	<ul style="list-style-type: none"><li>• Stel de pootjes af om het apparaat waterpas te zetten.</li><li>• Verwijder voorwerpen rondom het apparaat.</li></ul>
Het is niet koud genoeg in het apparaat.	<ul style="list-style-type: none"><li>• De temperatuur is te hoog ingesteld. Er zijn te warme producten opgeslagen.</li><li>• Er is te veel voedsel in één keer bewaard.</li><li>• De producten zijn te dicht bij elkaar geplaatst.</li><li>• Een deur/lade van het apparaat zit niet goed dicht.</li><li>• De deur/lade is te vaak of te lang geopend.</li></ul>	<ul style="list-style-type: none"><li>• Stel de temperatuur opnieuw in.</li><li>• Koel de producten altijd af voordat u ze opbergt.</li><li>• Bewaar altijd kleine hoeveelheden voedsel.</li><li>• Laat een gat tussen verschillende voedingsmiddelen waardoor lucht kan stromen.</li><li>• Sluit de deur/lade.</li><li>• Open de deur/lade niet te vaak.</li></ul>
Het is te koud in het apparaat.	<ul style="list-style-type: none"><li>• De temperatuur is te laag ingesteld. De Super-Frz/Super-Cool-functie wordt geactiveerd of loopt te lang.</li></ul>	<ul style="list-style-type: none"><li>• Stel de temperatuur opnieuw in.</li><li>• Schakel de Super-Frz-/Super-Cool-functie uit.</li></ul>
Vochtvorming aan de binnenkant van het koelkastgedeelte.	<ul style="list-style-type: none"><li>• Het klimaat is te warm en te vochtig.</li><li>• Een deur/lade van het apparaat zit niet goed dicht.</li><li>• De deur/lade is te vaak of te lang geopend.</li><li>• Voedselbakjes of vloeistoffen zijn open gelaten.</li></ul>	<ul style="list-style-type: none"><li>• Verhoog de temperatuur.</li><li>• Sluit de deur/lade.</li><li>• Open de deur/lade niet te vaak.</li><li>• Laat warm voedsel afkoelen tot kamertemperatuur en dek voedsel en vloeistoffen af.</li></ul>
Vocht hoopt zich op het oppervlak aan de buitenkant van de koelkast en tussen de deuren/deur en lade op.	<ul style="list-style-type: none"><li>• Het klimaat is te warm en te vochtig.</li><li>• De deur is niet goed gesloten. De koude lucht in het apparaat en de warme lucht buiten condenseert.</li></ul>	<ul style="list-style-type: none"><li>• Dit is normaal in een vochtig klimaat en zal veranderen wanneer de luchtvochtigheid daalt.</li><li>• Zorg dat de deur/lade goed dicht zit.</li></ul>





Probleem	Mogelijke oorzaak	Mogelijke oplossing
Veel ijs en rijp in het vriezergedeelte.	<ul style="list-style-type: none"> <li>• De etenswaren zijn niet goed verpakt.</li> <li>• Een deur/lade van het apparaat zit niet goed dicht.</li> <li>• De deur/lade is te vaak of te lang geopend.</li> <li>• De deur-/ladepakkingen zijn vuil, versleten, gebarsten of niet goed op elkaar afgestemd.</li> <li>• Iets aan de binnenkant voorkomt dat de deur/lade goed kan sluiten.</li> </ul>	<ul style="list-style-type: none"> <li>• Verpak de etenswaren altijd goed.</li> <li>• Sluit de deur/lade.</li> <li>• Open de deur/lade niet te vaak.</li> <li>• Reinig de deur-/ladepakkingen of vervang ze door nieuwe.</li> <li>• Verplaats de planken, deurrekken of interne containers zodat de deur/lade kan worden gesloten.</li> </ul>
De zijkanten van de kast en de deurstrip worden warm.	<ul style="list-style-type: none"> <li>• -</li> </ul>	<ul style="list-style-type: none"> <li>• Dit is normaal.</li> </ul>
Het apparaat maakt afwijkende geluiden.	<ul style="list-style-type: none"> <li>• Het apparaat staat niet op een vlakke ondergrond.</li> <li>• Het apparaat raakt voorwerpen rondom.</li> </ul>	<ul style="list-style-type: none"> <li>• Stel de pootjes af om het apparaat waterpas te zetten.</li> <li>• Verwijder voorwerpen rondom het apparaat.</li> </ul>
Er is een licht geluid te horen dat lijkt op dat van stromend water.	<ul style="list-style-type: none"> <li>• -</li> </ul>	<ul style="list-style-type: none"> <li>• Dit is normaal.</li> </ul>
U hoort een alarm-piepton.	<ul style="list-style-type: none"> <li>• De deur van het koelkastgedeelte staat open.</li> </ul>	<ul style="list-style-type: none"> <li>• Sluit de deur.</li> </ul>
U hoort een zacht gebrom.	<ul style="list-style-type: none"> <li>• Het anticondensatiesysteem is aan het werk.</li> </ul>	<ul style="list-style-type: none"> <li>• Dit voorkomt condensatie en is normaal.</li> </ul>
De binnenverlichting of het koelsysteem werkt niet.	<ul style="list-style-type: none"> <li>• De netstekker is niet aangesloten op het stopcontact.</li> <li>• De voeding is niet intact.</li> <li>• Het ledlampje is buiten werking.</li> </ul>	<ul style="list-style-type: none"> <li>• Steek de stekker in het stopcontact.</li> <li>• Controleer de elektrische voeding naar de kamer. Bel het plaatselijke elektriciteitsbedrijf!</li> <li>• Bel de klantenservice om het lampje te laten vervangen.</li> </ul>
Lekkend of druppelend water uit het mondstuk van de waterdispenser.	<ul style="list-style-type: none"> <li>• Het waterreservoir is niet correct geplaatst.</li> <li>• Het mondstuk van de waterdispenser is niet goed vastgeschroefd op het reservoir.</li> <li>• De witte siliconen O-ring ontbreekt bij het watermondstuk.</li> </ul>	<ul style="list-style-type: none"> <li>• Plaats het waterreservoir terug in de koelkastdeur en zorg ervoor dat het volledig in de deur wordt gedrukt.</li> <li>• Het watermondstuk moet stevig op het waterreservoir worden geschroefd.</li> <li>• Controleer of het watermondstuk is voorzien van een witte siliconen O-ring aan de kant van het reservoir voordat u het watermondstuk op het waterreservoir plaatst.</li> </ul>





Ga naar onze website om contact op te nemen met de technische dienst:  
<https://corporate.haier-europe.com/en/>.

Kies onder de kop 'website' het merk van uw product en uw land. U wordt doorgestuurd naar de specifieke website waar u het telefoonnummer kunt vinden en contact kunt opnemen met de technische dienst.

### Stroomonderbreking

In het geval van een stroomstoring, zou voedsel ongeveer 5 uur lang veilig koud moeten blijven. Volg de volgende tips tijdens een langdurige stroomstoring, vooral in de zomer:

- ▶ Open de deur/lade zo weinig mogelijk.
- ▶ Plaats geen extra voedsel in het apparaat tijdens een stroomstoring.
- ▶ Als een stroomstoring vooraf wordt aangekondigd en de onderbrekingsduur langer is dan 5 uur, maak dan ijs en zet dit in een bak boven in het koelkastgedeelte.
- ▶ Onmiddellijk na de onderbreking is een controle van de producten vereist.
- ▶ Aangezien de temperatuur in de koelkast stijgt tijdens een stroomonderbreking of een andere storing, wordt de bewaarperiode en de eetbare kwaliteit van voedsel nadelig beïnvloedt. Alle levensmiddelen die ontdooien moeten worden gegeten, of worden bereid en daarna zo snel mogelijk opnieuw worden ingevroren (indien van toepassing) om gezondheidsrisico's te voorkomen.



### LET OP: Geheugenfunctie tijdens de stroomonderbreking

Na herstel van de stroom gaat het apparaat door met de instellingen die waren ingesteld voor de stroomstoring.

## Uitpakken



### WAARSCHUWING!

- ▶ Het apparaat is zwaar. Altijd hanteren met ten minste twee personen.
- ▶ Houd alle verpakkingsmaterialen buiten bereik van kinderen en gooi ze op een milieuvriendelijke manier weg.
- ▶ Haal het apparaat uit de verpakking.
- ▶ Verwijder al het verpakkingsmateriaal.

## Omgevingsomstandigheden

De kamertemperatuur moet altijd tussen 10°C en 43°C liggen, aangezien deze de temperatuur in het apparaat en het energieverbruik kan beïnvloeden. Installeer het apparaat niet in de buurt van andere warmtebronnen (ovens, koelkasten) zonder isolatie.

- Subnormaal (SN): dit koelapparaat is bedoeld voor gebruik bij een omgevingstemperatuur van 10°C tot 32°C.
- Normaal (N): dit koelapparaat is bedoeld voor gebruik bij een omgevingstemperatuur van 16°C tot 32°C.
- Subtropisch (ST): dit koelapparaat is bedoeld voor gebruik bij een omgevingstemperatuur van 16°C tot 38°C.

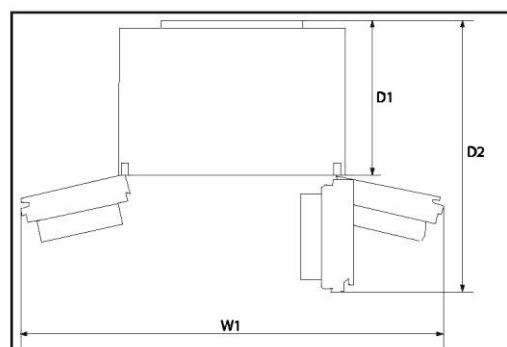
## Benodigde ruimte

Vereiste ruimte als de deur open staat:

W1 = 157,8 cm

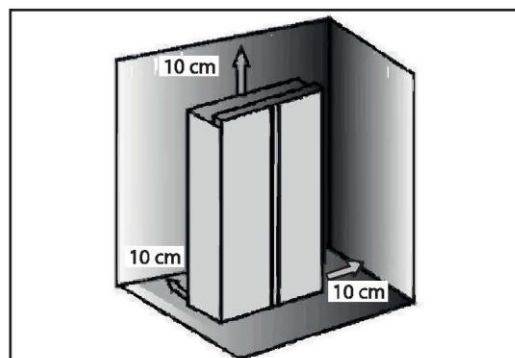
D1 = 629 cm

D2 = 117,5 cm



## Doorsnede van ventilatie

Om voor de veiligheid voldoende ventilatie van het apparaat te bereiken, moet de informatie over de vereiste ventilatiedoorsneden in acht worden genomen.

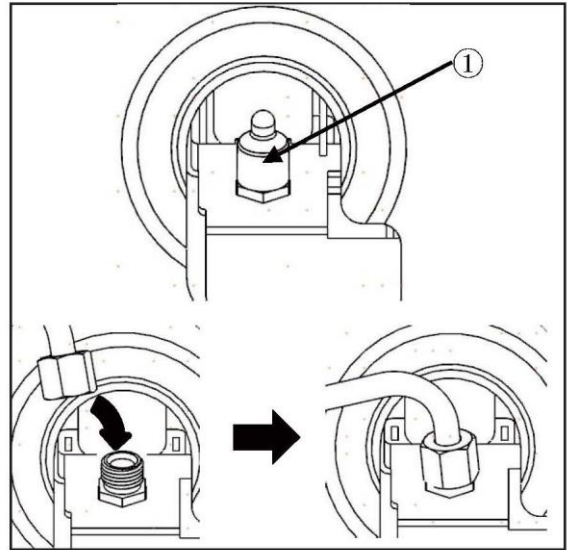


## LET OP

Bij een vrijstaand apparaat: dit koelapparaat is niet bedoeld voor gebruik als inbouwapparaat.

## Water aansluiten op het apparaat

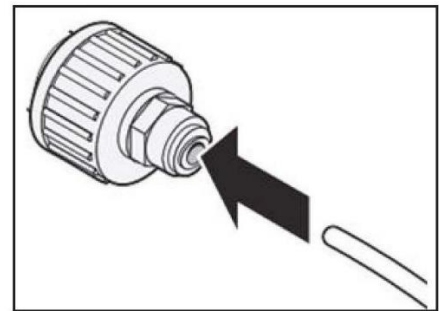
1. Verwijder de rubberen stop (1) van het waterinlaatventiel.
2. Duw de waterslang stevig op het waterinlaatventiel en draai de kraagmoer vast. Deze waterleiding moet in het midden worden doorgesneden en gebruikt; het andere deel kan worden gebruikt als reserveonderdeel.



## Aansluiten op de waterkraan

Deze functie is alleen beschikbaar bij sommige modellen.

1. Duw de waterslang in de opening van de met de accessoires meegeleverde kraanaansluiting. De buis moet stevig worden vastgehouden terwijl de aansluiting op de buis wordt geduwd.
2. Controleer of de rubberen ring aan de binnenkant van de kraanaansluiting zit voordat u deze op de kraan draait.
  - ▶ Het is mogelijk dat een aparte aansluiting of adapter moet worden gekocht als uw kraanfitting niet overeenkomt met de draadgrootte van de meegeleverde aansluiting.



## De wateraansluiting controleren

Deze functie is alleen beschikbaar bij sommige modellen.

- ▶ Zet de watertoevoer aan en schakel het apparaat in. Controleer zorgvuldig alle aansluitingen zorgvuldig op mogelijke lekken vanwege slecht gemonteerde slangen.
- ▶ Houd de knop 3Sec. Filter Reset drie seconden ingedrukt. Het nieuwe waterfilter is geactiveerd.
- ▶ Plaats een kopje onder de waterdispenser om te controleren of er water door het apparaat stroomt.
- ▶ Controleer de aansluitslang en de aansluitingen nogmaals op lekken.



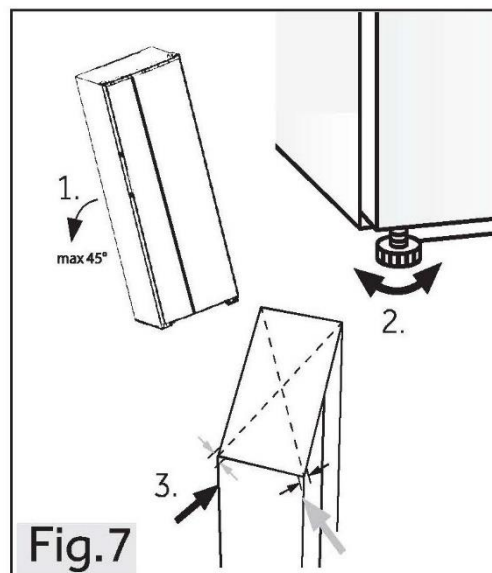
## WAARSCHUWING!

- ▶ Zorg ervoor dat de verbindingen altijd stevig, droog en lekvrij zijn.
- ▶ Zorg ervoor dat de slang nooit wordt platgedrukt, geknikt of gedraaid.

### Het apparaat uitlijnen

Plaats het apparaat op een vlakke en stevige ondergrond.

1. Kantel het apparaat iets naar achteren (afb. 7).
2. Stel de voeten in op het gewenste niveau. Zorg ervoor dat de afstand tot de muur aan de scharnierzijde minstens 10 cm bedraagt.
3. De stabiliteit kan worden gecontroleerd door afwisselend op de diagonalen te duwen. De lichte slingering moet in beide richtingen hetzelfde zijn. Anders kan het frame kromtrekken, met mogelijk lekkende deurafdichtingen als resultaat. Een kleine helling naar achteren vergemakkelijkt het sluiten van de deuren.

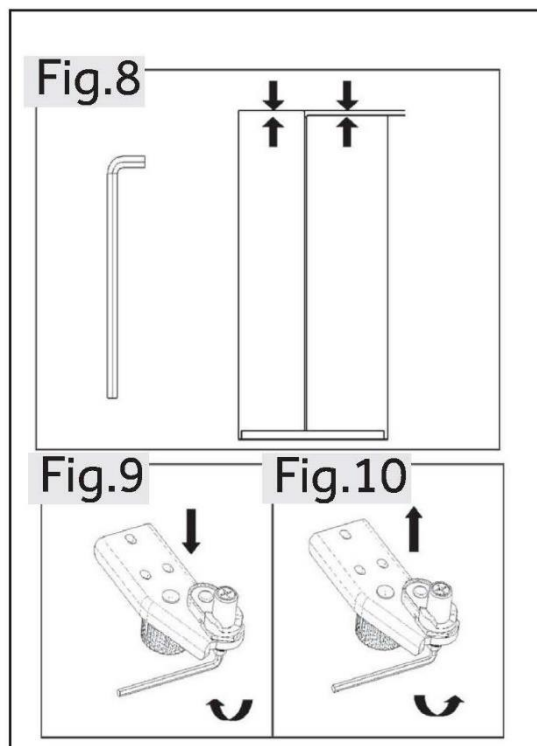


### Fijnafstelling van de deuren

Als de deuren nog steeds niet op één lijn staan na het nivelleren van de deuren met de voeten, dan kan deze afwijking worden verholpen door de hefas van het scharnier rechtsonder in de hoek van de koelkastdeur met een moersleutel te verdraaien (afb. 8).

Draai de hefas met de moersleutel met de klok mee om de deur in hoogte te verlagen (afb. 9).

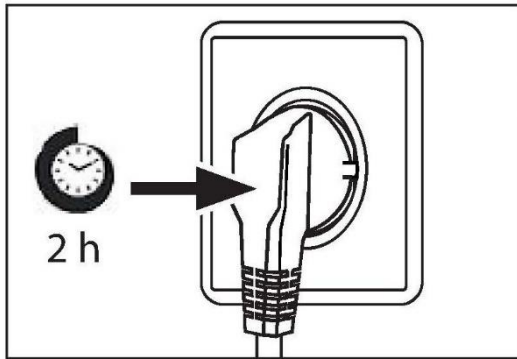
Draai de as met de moersleutel tegen de klok in om de deur in hoogte te verhogen (afb. 10).





## WAARSCHUWING!

Stel het hefscharnier niet te hoog in waardoor het scharnier de oorspronkelijke vergrendelde positie zou kunnen verlaten (bereik aanpasbare hoogte: 3 mm).



### Wachttijd

De onderhoudsvrije smeerolie bevindt zich in de behuizing van de compressor. Deze olie kan door het gesloten buissysteem komen bij liggend transport. Voordat u het apparaat op de voeding aansluit, moet u ten minste 2 uur wachten zodat de olie weer in de behuizing loopt.

### Elektrische aansluiting

#### Controleer vóór elke aansluiting of:

- ▶ voeding, stopcontact en zekering geschikt zijn volgens het typeplaatje;
- ▶ het stopcontact is geaard en er geen stekkerdoos of verlengsnoer is;
- ▶ de stekker en het stopcontact goed passen.

Sluit de stekker aan op een correct geïnstalleerd huishoudelijk stopcontact.



## WAARSCHUWING!

Om risico's te vermijden moet een beschadigd netsnoer worden vervangen door de klantenservice (zie garantiekaart).

### De deuren verwijderen en installeren

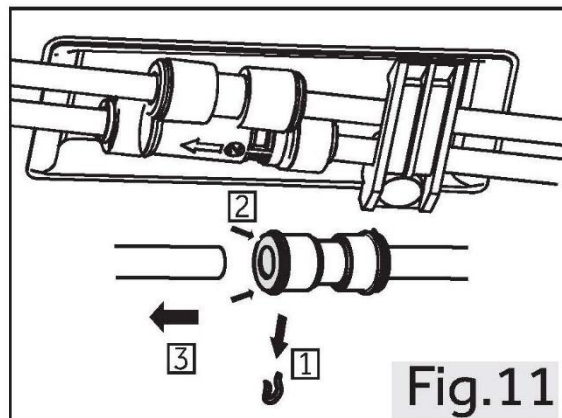
Als u de deuren van het apparaat moet verwijderen, volg dan de onderstaande instructies voor het verwijderen en installeren van de deuren.



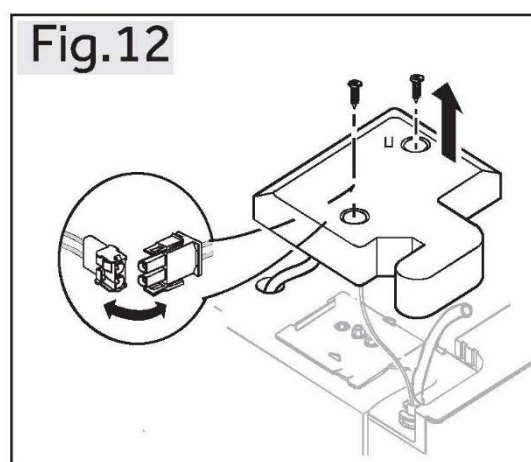
## WAARSCHUWING!

- ▶ Schakel het apparaat uit voordat u enige handeling uitvoert en haal de stekker uit het stopcontact.
- ▶ Blokkeer de watertoevoer.
- ▶ Het apparaat is zwaar. Altijd hanteren met ten minste twee personen.
- ▶ Kantel het apparaat niet meer dan 45° en plaats het niet horizontaal op de grond.
- ▶ De deur kan omvallen en mensen verwonden, of beschadigd raken tijdens deze stappen; let dus goed op bij het verwijderen en installeren van deuren.

1. Maak de linkerzijde van de twee waterkoppelingen linksvoor in de hoek aan de onderkant van het apparaat los: druk de kraag in en houd ingedrukt zoals afgebeeld en verwijder de waterleiding (afb. 11).



2. Draai de schroef van het scharnierdeksel los en verwijder het deksel (afb. 12). Maak bij het verwijderen van de vriezerdeur alle draden los, behalve de aardedraad.

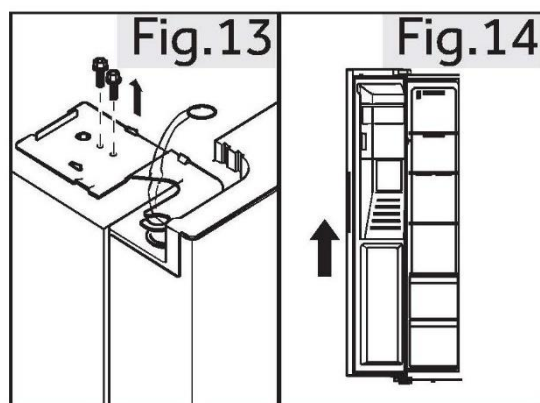


3. Draai de schroeven die het bovenste scharnier op zijn plaats houden los en verwijder vervolgens het scharnier (afb. 13).

4. Til de deur op om deze te verwijderen (afb. 14). Als u de deur van de vriezer verwijdert, til hem dan hoog genoeg op om de wateraansluiting uit de bodem van het apparaat te trekken.

5. Plaats de deur in omgekeerde volgorde terug. Zorg ervoor dat de aardingskabel met de schroef wordt vastgezet.

6. Koppel de wateraansluiting weer aan.




## LET OP: Koelkastdeur

De afbeeldingen tonen het verwijderen van de deur van het vriezergedeelte. Gebruik voor de deur van de koelkast de bijbehorende onderdelen aan de andere kant.



Productkaart volgens de verordening EU nr. 2019/2016

Merk	Haier
Modelnaam/identificatie	HSW59F18DIMM HSW79F18DIPT
Categorie van het model	Koelvriescombinatie
Energie-efficiëntieklasse	D
Jaarlijks energieverbruik (kWh/jaar) <sup>(1)</sup>	267
Totaal volume (liter)	601
Volume koelkast (liter)	391
Volume vriezer (liter)	206
Volume ijsopslagbak(2-sterren)(L)	4
Steraanduiding	
Temperatuur van andere compartimenten > 14°C	Niet van toepassing
Vorstvrij systeem	Ja
Vriescapaciteit (kg/24 uur)	10
Klimaatklasse <sup>(2)</sup>	SN-N-ST
Geluidsemisatieklasse en geluidsemisatie via de lucht (db(A) re 1pW)	C(36)
Temperatuurstijgingstijd (uur)	5
Ijsbereidingscapaciteit	0,8 kg/24 uur
Type apparaat	Vrijstaand



## Technische gegevens

Uitleg:

• Ja, aanwezig

- (1) Op basis van de resultaten van de normconformiteitstest gedurende 24 uur. Het werkelijke verbruik is afhankelijk van het gebruik en de locatie van het apparaat.
- (2) Klimaatklasse SN: Dit apparaat is bedoeld voor gebruik bij een omgevingstemperatuur tussen +10°C en +32°C.

Klimaatklasse N: Dit apparaat is bedoeld voor gebruik bij een omgevingstemperatuur tussen +16°C en +32°C.

Klimaatklasse ST: Dit apparaat is bedoeld voor gebruik bij een omgevingstemperatuur tussen +16°C en +38°C.

### Aanvullende technische gegevens

Spanning/frequentie	~220–240 V/50 Hz
Ingangsstroom (A)	1,8
Ingangsvermogen ontdooien (W)	220
Belangrijkste zekering (A)	15
Koelmiddel	R600a
Afmetingen (HxBxD in mm)	1775x905x726





Wij adviseren onze Haier klantenservice en het gebruik van originele onderdelen.  
Als u een probleem hebt met uw apparaat, controleer dan eerst het hoofdstuk  
PROBLEMEN OPLOSSEN.

Als u daar geen oplossing kunt vinden, neem dan contact op met

- ▶ uw plaatselijke dealer; of
- ▶ ons Europese service-callcentrum (zie onderstaande telefoonnummers); of
- ▶ het gedeelte Service & Support op [www.haier.com](http://www.haier.com), waar u de serviceclaim kunt activeren
- ▶ en ook veelgestelde vragen kunt vinden.

Om contact op te nemen met onze klantenservice, moet u ervoor zorgen dat u over de volgende gegevens beschikt.

De informatie is te vinden op het typeplaatje.

Model \_\_\_\_\_

Serienummer \_\_\_\_\_

Controleer ook de garantiekaart die met het product is meegeleverd in geval van garantie.

Europees service-callcentrum		
Land*	Telefoonnummer	Kosten
Haier Italy (IT)	199 100912	
Haier Spain (ES)	902 509 123	
Haier Germany (DE)	0180539 39 99	<ul style="list-style-type: none"><li>• 14 ct/min – vaste lijn</li><li>• max. 42 ct/min – mobiel</li></ul>
Haier Austria (AT)	0820 001 205	<ul style="list-style-type: none"><li>• 14,53 ct/min – vaste lijn</li><li>• max. 20 ct/min – alle andere</li></ul>
Haier United Kingdom (UK)	0333 003 8122	
Haier France (FR)	0980 406 409	



\*Voor andere landen verwijzen wij u naar [www.haier.com](http://www.haier.com)

Haier Europe Trading S.r.l

Branch UK

Westgate House, Westgate, Ealing

London, W5 1YY, Verenigd Koninkrijk

\*Duur van de garantie van het koelapparaat:

De minimumgarantie is: 2 jaar voor EU-landen, 3 jaar voor Turkije, 1 jaar voor het Verenigd Koninkrijk, 1 jaar voor Rusland, 3 jaar voor Zweden, 2 jaar voor Servië, 5 jaar voor Noorwegen, 1 jaar voor Marokko, 6 maanden voor Algerije, Tunesië geen wettelijke garantie vereist.

\*De beschikbaarheidsperiode van reserveonderdelen voor reparatie van het apparaat:

Thermostaten, temperatuursensoren, printplaten en lichtbronnen zijn gedurende minimaal zeven jaar na het op de markt brengen van de laatste eenheid van het model beschikbaar.

Deurgrepen, deurscharnieren, bakken en manden zijn minimaal zeven jaar en deurpakkingen minimaal 10 jaar na het in de handel brengen van de laatste eenheid van het model verkrijgbaar.

\*Raadpleeg voor meer informatie over het product <https://eprel.ec.europa.eu/> of scan de QR-code op het energielabel dat met het apparaat wordt meegeleverd.





## Spis treści

---

Informacje dotyczące bezpieczeństwa .....	270
Przeznaczenie .....	275
Opis produktu .....	276
Panel sterowania .....	277
Użytkowanie .....	278
Wyposażenie .....	291
Pielęgnacja i czyszczenie .....	293
Usuwanie usterek .....	298
Instalacja .....	302
Dane techniczne .....	307
Obsługa klienta .....	309

## Dziękujemy za zakup produktu firmy Haier.

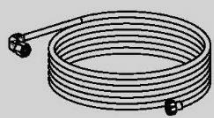
Przed użyciem urządzenia należy dokładnie przeczytać niniejsze instrukcje. Instrukcje zawierają ważne informacje, które pomogą możliwie najlepiej wykorzystać funkcje urządzenia, bezpiecznie i prawidłowo je zainstalować, eksploatować oraz konserwować.

Niniejszą instrukcję obsługi należy przechowywać w dostępnym miejscu, aby móc z niej zawsze skorzystać w celu bezpiecznego i właściwego użytkowania urządzenia.

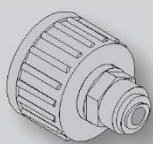
Przy sprzedaży urządzenia należy do niego dołączyć niniejszą instrukcję obsługi, a w przypadku przeprowadzki przekazać ją nowemu właścicielowi, aby mógł się zapoznać z urządzeniem i ostrzeżeniami dotyczącymi bezpieczeństwa.

## Akcesoria

Sprawdź akcesoria i materiały zgodnie z tą listą:



\*Wodociąg



\*Złącze wodne



Etykieta  
wydajności  
energetycznej



Karta gwarancyjna



Szybki  
przewodnik



## OSTRZEŻENIE - Ważne informacje dotyczące bezpieczeństwa



## UWAGA - Ogólne informacje i wskazówki



## Informacje dotyczące ochrony środowiska



### Utylizacja

Pomóż chronić środowisko i ludzkie zdrowie. Wyrzuć opakowanie do odpowiednich pojemników do recyklingu. Pomóż w recyklingu odpadów z urządzeń elektrycznych i elektronicznych. Nie wyrzucaj urządzeń oznaczonych tym symbolem razem z odpadami domowymi. Oddaj produkt do miejscowego zakładu recyklingu lub skontaktuj się z urzędem miejskim.



## OSTRZEŻENIE!

Ryzyko obrażeń lub uduszenia!

Czynniki chłodnicze i gazy muszą być utylizowane w profesjonalny sposób. Przed utylizacją upewnij się, że przewody układu chłodniczego nie są uszkodzone. Odłącz urządzenie od zasilania sieciowego. Odetnij przewód zasilający i zutylizuj go. Usuń tace i szuflady oraz zamek drzwi i uszczelki, aby zapobiec zamknięciu się dzieci i zwierząt w urządzeniu.

## Przed włączeniem urządzenia po raz pierwszy, przeczytaj poniższe wskazówki dotyczące bezpieczeństwa:



### OSTRZEŻENIE!

#### Przed pierwszym użyciem

- ▶ Upewnij się, że nie ma uszkodzeń powstałych podczas transportu.
- ▶ Usunąć wszystkie opakowania i przechowywać w miejscu niedostępnym dla dzieci.
- ▶ Odczekaj co najmniej dwie godziny przed zainstalowaniem urządzenia, aby upewnić się, że obwód czynnika chłodniczego jest w pełni efektywny.
- ▶ Zawsze przenosić urządzenie z pomocą co najmniej dwóch osób, ponieważ jest ono ciężkie.

#### Instalacja

- ▶ Urządzenie powinno być umieszczone w dobrze wentylowanym miejscu. Zapewnij przestrzeń co najmniej 10 cm nad urządzeniem i wokół niego.
- ▶ Nigdy nie umieszczaj urządzenia w wilgotnym miejscu lub w takim, w którym może być ochlapano wodą. Zetrzyj plamy i zachlapania do sucha miękką i czystą ściereczką.
- ▶ Nie należy instalować urządzenia w bezpośrednim świetle słonecznym lub w pobliżu źródeł ciepła (np. pieców, grzejników).
- ▶ Zainstaluj i wypoziomuj urządzenie w miejscu odpowiednim dla jego wielkości i przeznaczenia.
- ▶ Należy dbać o drożność otworów wentylacyjnych w obudowie urządzenia wolnostojącego lub w konstrukcji do zabudowy.
- ▶ Upewnij się, że informacje dotyczące elektryki na tabliczce znamionowej są zgodne z parametrami zasilania. Jeśli tak nie jest, skontaktuj się z elektrykiem.
- ▶ Urządzenie jest zasilane prądem 220–240 V AC/50 Hz. Odbiegające od normy wahania napięcia mogą spowodować niewłączenie się urządzenia albo uszkodzenie regulatora temperatury lub sprężarki. Mogą też być przyczyną nietypowego hałasu podczas pracy. W takim przypadku powinien zostać zamontowany automatyczny regulator.
- ▶ Nie używaj adapterów wtyczek i przedłużaczy.
- ▶ Za urządzeniem nie należy umieszczać kilku listew zasilających ani przenośnych zasilaczy.
- ▶ Upewnij się, że kabel zasilający nie jest przytrzaśnięty przez chłodziarkę. Nie stawaj na przewodzie zasilającym.



## OSTRZEŻENIE!

- ▶ Używaj oddzielnego, łatwo dostępnego i uziemionego gniazdka. Urządzenie musi być uziemione.

Dotyczy tylko Wielkiej Brytanii: Kabel zasilający urządzenie jest wyposażony we wtyczkę z 3 bolcami (z uziemieniem), która pasuje do standardowego gniazda z 3 przewodami (z uziemieniem). Nigdy nie odcinaj ani nie demontuj trzeciego bolca (z uziemieniem). Po zainstalowaniu urządzenia wtyczka powinna być łatwo dostępna.

- ▶ Uważaj, aby nie uszkodzić obwodu chłodniczego.

### Codzienne użytkowanie

- ▶ Urządzenie może być obsługiwane przez dzieci powyżej 8 roku życia i przez osoby o ograniczonych możliwościach fizycznych, sensorycznych lub umysłowych lub osoby nieposiadające doświadczenia ani wiedzy pod warunkiem, że są one pod odpowiednim nadzorem lub zostały poinstruowane, jak bezpiecznie obsługiwać urządzenie i rozumieją związane z nim zagrożenia.
- ▶ Dzieciom w wieku od 3 do 8 lat wolno ładować i rozładowywać, ale nie wolno czyścić ani instalować urządzeń chłodniczych.
- ▶ Trzymaj z dala od urządzenia dzieci poniżej 3 roku życia, chyba że są pod stałym nadzorem.
- ▶ Dzieci nie powinny bawić się urządzeniem.
- ▶ Jeśli czynnik chłodniczy lub inny łatwopalny gaz wycieka w pobliżu urządzenia, zamknij zawór wyciekającego gazu, otwórz drzwi oraz okna i nie odłączaj kabla zasilającego chłodziarki lub innego urządzenia.
- ▶ Zwróć uwagę, że urządzenie jest ustawione do pracy w określonym zakresie temperatur pomiędzy 10 a 38°C. Chłodziarka może nie pracować prawidłowo, jeśli pozostanie na dłuższy czas w temperaturze powyżej lub poniżej podanego zakresu.
- ▶ Na chłodziarce nie należy umieszczać niestabilnych przedmiotów (ciężkich przedmiotów, pojemników wypełnionych wodą), aby uniknąć obrażeń ciała spowodowanych upadkiem lub porażeniem prądem elektrycznym w wyniku kontaktu z wodą.
- ▶ Nie ciągnij za półki drzwiowe. Drzwi mogą być pochylone, stojak na butelki może zostać wyciągnięty lub urządzenie może się przewrócić.
- ▶ Otwieraj i zamykaj drzwi tylko za pomocą klamek. Szczelina między drzwiami a obudową jest bardzo wąska. Nie trzymaj rąk w tych obszarach, aby uniknąć przycięcia palców. Otwieraj i zamykaj drzwi chłodziarki tylko wtedy, gdy nie ma dzieci stojących w obrębie ruchu drzwi.





### OSTRZEŻENIE!

- ▶ Nie przechowuj ani nie używaj materiałów łatwopalnych, wybuchowych lub żrących w urządzeniu lub w jego sąsiedztwie.
- ▶ Nie należy przechowywać w urządzeniu leków, bakterii lub substancji chemicznych. To urządzenie jest urządzeniem gospodarstwa domowego. Nie zaleca się przechowywania materiałów, które wymagają ściśle określonej temperatury.
- ▶ Nigdy nie przechowuj płynów w butelkach lub puszkach (oprócz alkoholi wysoko-procentowych), zwłaszcza napojów gazowanych w zamrażarce, ponieważ mogą one pęknąć podczas zamrażania.
- ▶ Sprawdź stan żywności, jeśli w zamrażarce miało miejsce zwiększenie temperatury.
- ▶ Nie ustawiaj niepotrzebnie niskiej temperatury w komorze chłodziarki. Ujemne temperatury mogą wystąpić przy wysokich ustawieniach. Uwaga: Butelki mogą wybuchnąć
- ▶ Nie dotykaj zamrożonych towarów mokrymi rękami (załóż rękawiczki). Szczególnie nie należy jeść lizaków lodowych bezpośrednio po wyjęciu z komory zamrażarki. Istnieje ryzyko przymarznięcia naskórka lub powstania pęcherzy. PIERWSZA pomoc: Natychmiast polać miejsce przymarznięcia bieżącą zimną wodą. Nie odrywaj!
- ▶ Nie dotykaj wnętrza komory zamrażarki podczas pracy, zwłaszcza mokrymi rękami, ponieważ mogą one przymarznąć do jej powierzchni.
- ▶ Odłącz urządzenie w przypadku przerwy w zasilaniu lub przed czyszczeniem. Nie uruchamiaj ponownie urządzenia przez co najmniej 7 minut, ponieważ szybkie włączenie może doprowadzić do uszkodzenia sprężarki.
- ▶ Nie używaj urządzeń elektrycznych wewnątrz komór do przechowywania żywności, chyba że są to urządzenia typu zalecanego przez producenta. Konserwacja / czyszczenie
- ▶ Upewnij się, że dzieci są nadzorowane podczas czyszczenia i konserwacji urządzenia.
- ▶ Przed przystąpieniem do rutynowej konserwacji należy odłączyć urządzenie od zasilania elektrycznego. Odczekaj co najmniej 5 minut przed ponownym uruchomieniem urządzenia, ponieważ częste uruchamianie może uszkodzić sprężarkę.



### OSTRZEŻENIE!

- ▶ Podczas odłączania urządzenia trzymaj za wtyczkę, a nie za przewód.
- ▶ Nie czyść urządzenia za pomocą twardych szczotek, szczotek drucianych, detergentów proszkowych, benzyny, octanu amyli, acetonu i podobnych roztworów organicznych, kwasu lub roztworów alkalicznych. Do czyszczenia należy używać specjalnego detergentu do chłodziarek, aby uniknąć uszkodzenia.
- ▶ Nie zeskrobuj szronu i lodu ostrymi przedmiotami. Nie używaj rozpylaczy, grzejników elektrycznych, takich jak suszarka do włosów, myjek parowych lub innych źródeł ciepła, aby uniknąć uszkodzenia plastikowych części.
- ▶ Nie używaj urządzeń mechanicznych ani innych środków do przyspieszania procesu rozmrażania, chyba że są one zalecane przez producenta.
- ▶ Jeśli kabel zasilający ulegnie uszkodzeniu, dla bezpieczeństwa należy zlecić jego wymianę producentowi, autoryzowanemu serwisowi lub osobom o podobnych kwalifikacjach.
- ▶ Nie próbuj samodzielnie naprawiać, demontować ani modyfikować urządzenia. W przypadku naprawy skontaktuj się z naszym działem obsługi klienta.
- ▶ Usuń kurz z tyłu urządzenia co najmniej raz w roku, aby uniknąć zagrożenia ogniem, a także zwiększonego zużycia energii.
- ▶ Nie używaj aerozolu ani nie przepłukuj urządzenia podczas czyszczenia.
- ▶ Nie używaj wody lub pary do czyszczenia urządzenia.
- ▶ Nie czyść zimnych szklanych półek gorącą wodą. Nagła zmiana temperatury może spowodować pęknięcie szkła.

## Informacje dotyczące czynnika chłodniczego



### OSTRZEŻENIE!

Urządzenie zawiera łatwopalny czynnik chłodniczy IZOBUTAN (R600a). Upewnij się, że układ chłodniczy nie został uszkodzony podczas transportu lub instalacji. Wyciek czynnika może spowodować uszkodzenie wzroku lub zapalenie. Jeśli wystąpiło uszkodzenie, trzymaj urządzenie z dala od otwartych źródeł ognia, dokładnie przewietrz pomieszczenie, nie podłączaj ani nie odłączaj kabli zasilających tego lub innego urządzenia. Poinformuj obsługę klienta.

W przypadku kontaktu czynnika chłodniczego z oczami natychmiast przepłucz je pod bieżącą wodą i bezzwłocznie skontaktuj się z okulistą.



## Przeznaczenie

To urządzenie jest przeznaczone do chłodzenia i zamrażania żywności. Został zaprojektowany wyłącznie do użytku w gospodarstwach domowych i podobnych zastosowaniach, takich jak pomieszczenia kuchenne dla personelu w sklepach, biurach i innych środowiskach pracy; w gospodarstwach rolnych oraz przez klientów w hotelach, motelach i innych obiektach mieszkalnych, a także w pensjonatach i gastronomii. Nie jest przeznaczone do użytku komercyjnego ani przemysłowego.

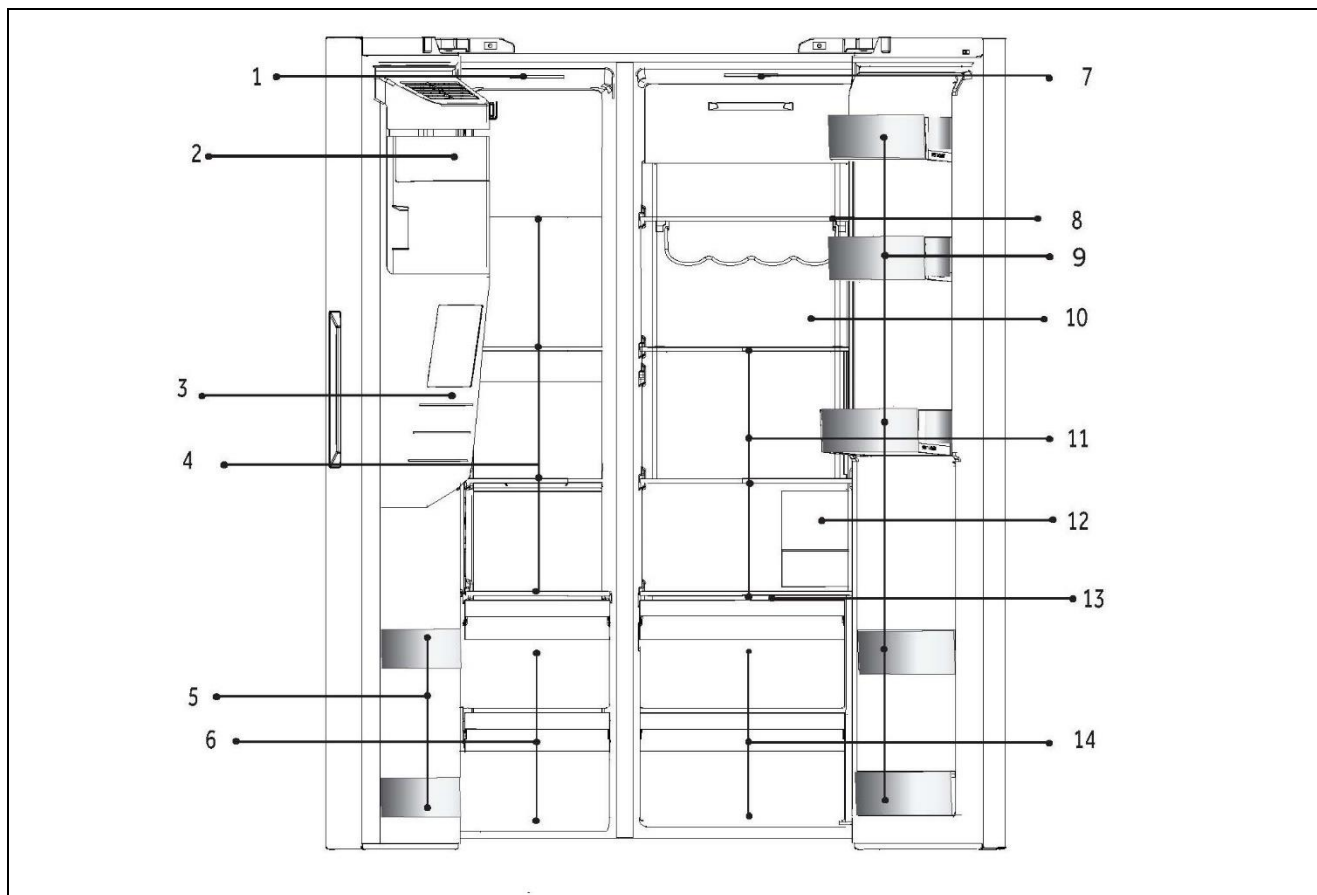
Zmiany lub modyfikacje urządzenia są niedozwolone. Użycie niezgodne z przeznaczeniem może spowodować zagrożenie i utratę roszczeń gwarancyjnych.

## Normy i dyrektywy oraz

Produkt ten spełnia wymagania wszystkich obowiązujących dyrektyw UE z odpowiednimi normami zharmonizowanymi, które przewidują oznakowanie CE.

## **i** Uwaga

Z powodu zmian technicznych i różnych modeli, niektóre ilustracje w tej instrukcji mogą się różnić od Twojego modelu.



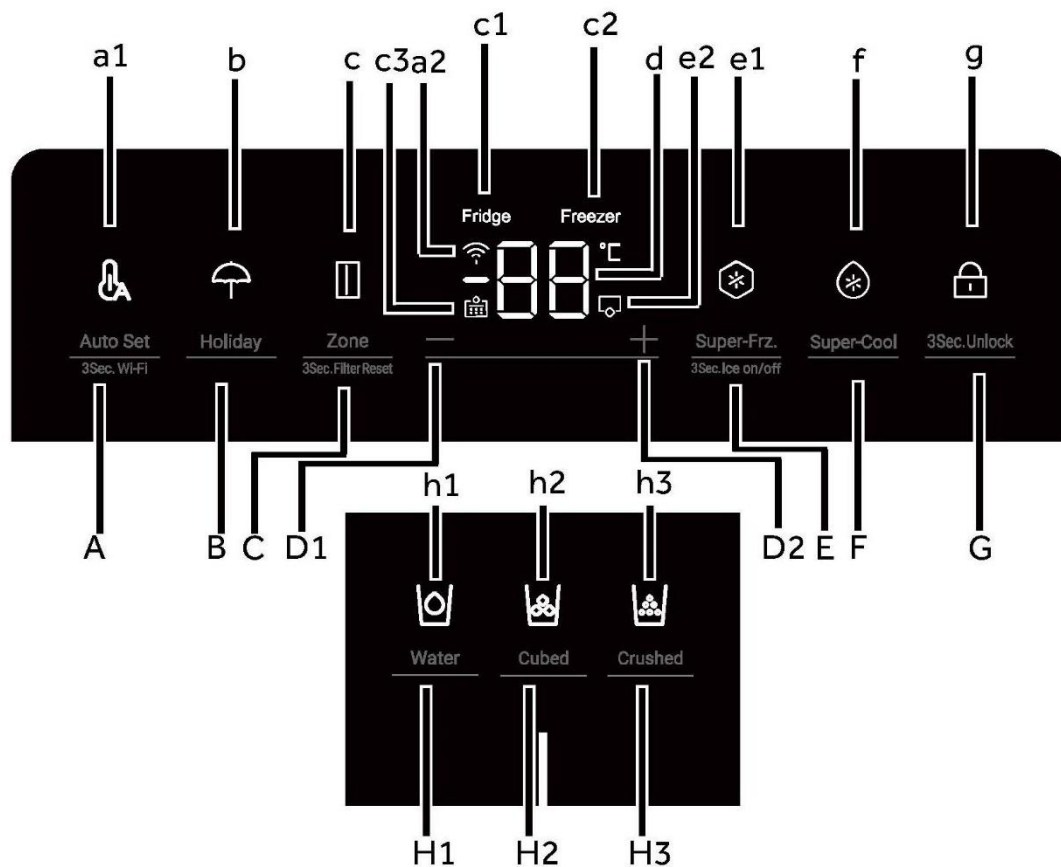
A: Komora zamrażarki

- 1 Lampa sufitowa
- 2 Kostkarka do lodu z pojemnikiem na lód
- 3 Dystrybutor wody i lodu
- 4 Szklane półki
- 5 Uchwyt na butelki
- 6 Szuflady

B: Komora chłodziarki

- 7 Lampa sufitowa
- 8 Stojak na wino
- 9 Uchwyt na butelki
- 10 Lampa tylna (HSW79F18DIPT)
- 11 Szklane półki
- 12 Filtr wody
- 13 Osłona mokrej strefy
- 14 Szuflady

## Panel sterowania



Przyciski:

- A Funkcja Auto Set /3Sec.Wi-Fi
- B Funkcja Holiday
- C Wybór strefy/3Sec.Filter Reset
- D1 Przycisk regulacji temperatury „-“
- D2 Przycisk regulacji temperatury „+“
- E Funkcja Super-Freeze/3 sek. Lód wt./wyt.
- F Funkcja Super-Cool
- G Przełącznik blokady panelu
- H1 Przełącznik funkcji dopływu wody
- H2 Przełącznik funkcji lodu w kostkach
- H3 Przełącznik funkcji kruszonego lodu

Wskaźniki:

- a1 Tryb Auto Set
- a2 Funkcja Wi-Fi
- b Tryb Holiday
- c Wskaźnik strefy
- c1 Wskaźnik chłodziarki
- c2 Wskaźnik zamrażarki
- c3 Funkcja resetowania filtra
- d Wyświetlacz temperatury
- e1 Tryb Super-Freeze
- e2 Tryb kostkarki do lodu
- f Tryb Super-Cool
- g Blokada panelu
- h1 Funkcja dopływu wody
- h2 Funkcja lodu w kostkach
- h3 Funkcja kruszonego lodu

### Przed pierwszym użyciem

- ▶ Usuń wszelkie opakowania, trzymaj je w miejscu niedostępnym dla dzieci i zutylizuj w sposób przyjazny dla środowiska.
- ▶ Przed włożeniem żywności wyczyść wnętrze i obudowę urządzenia wodą z dodatkiem łagodnego detergentu.
- ▶ Po wypoziomowaniu i wyczyszczeniu urządzenia odczekaj co najmniej 2-5 godzin przed podłączeniem go do zasilania. Zob. rozdział INSTALACJA.
- ▶ Przed załadowaniem żywności należy wstępnie schłodzić komory z wysokimi ustawieniami. Funkcja Power-Freeze pomaga szybko schłodzić komory.
- ▶ Temperatury chłodziarki i zamrażarki są automatycznie ustawiane odpowiednio na 5°C oraz - 18°C. To są zalecane ustawienia. W razie potrzeby można ręcznie zmienić ustawioną temperaturę. Zob. rozdział REGULACJA TEMPERATURY.

### Klawisze czujnika

Przyciski na panelu sterowania są klawiszami czujników, które reagują przy delikatnym dotknięciu palcem.

### Włącz/Wyłącz urządzenie

Urządzenie zacznie pracę jak tylko zostanie podłączone do źródła energii.

Wyświetlane temperatury pokazują ustawione temperatury w komorze.

Być może blokada panelu jest aktywna.

### Uwaga

Gdy urządzenie zostanie włączone po uprzednim odłączeniu od głównego źródła zasilania, osiągnięcie prawidłowej temperatury może potrwać do 12 godzin.

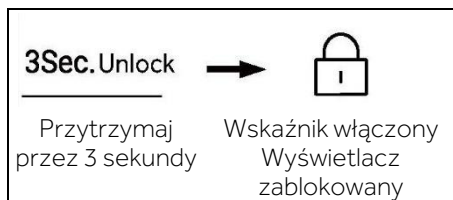
Przed wyłączeniem należy opróżnić urządzenie. Aby wyłączyć urządzenie, wyciągnij przewód zasilający z gniazdka.

### UWAGA

Gdy chłodziarka jest włączana po raz pierwszy, wskaźnik świeci. Temperatury chłodziarki i zamrażarki są automatycznie ustawiane odpowiednio na 5°C i -18°C.

## Panel blokady/odblokowania

1. Automatyczne blokowanie: Gdy drzwi chłodziarki i zamrażarki są zamknięte i w ciągu 30 sekund nie zostanie naciśnięty żaden klawisz, ekran wyświetlacza zostanie automatycznie zgaszony i zablokowany



2. Ręczne blokowanie: Gdy ekran wyświetlacza jest odblokowany, naciśnij przycisk „G” (selektor blokady panelu) i przytrzymaj przez 3 sekundy; brzęczyk zadzwoni jeden raz, wskaźnik „g” (blokada panelu) zaświeci się i wyświetlacz zostanie zablokowany.



## Wyreguluj temperaturę

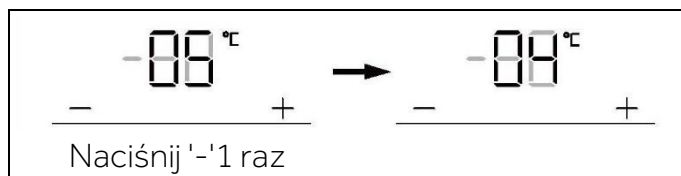
Na temperaturę wewnątrz chłodziarki wpływają następujące czynniki:

- ▶ Temperatura otoczenia
- ▶ Częstotliwość otwierania drzwi
- ▶ Ilość przechowywanej żywności
- ▶ Instalacja urządzenia

## Wyreguluj temperaturę chłodziarki

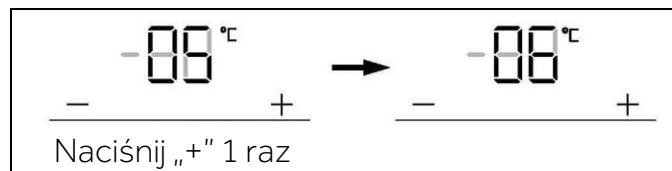
1. Gdy ekran wyświetlacza jest odblokowany, naciśnij przycisk „C” (przełącznik strefy). Brzęczyk dzwoni raz, kontrolka „c1” (wskaźnik chłodziarki) miga, a potem pojawia się tryb ustawiania temperatury chłodziarki.

2. Naciśnij przycisk „D1” (przycisk regulacji temperatury „-”). Brzęczyk zadzwoni jeden raz, a ustawiona temperatura chłodziarki zostanie zmniejszona o 1. Temperatura chłodziarki będzie wyświetlana w następującej kolejności: „9°C > 8°C > 7°C > 6°C > 5°C > 4°C > 3°C > 2°C > 1°C”.



### Wyreguluj temperaturę chłodziarki

3. Naciśnij przycisk „D2” (przycisk regulacji temperatury „+”). Brzęczyk zadzwoni raz, ustawiona temperatura chłodziarki zostanie zwiększona o 1. Temperatura chłodziarki będzie wyświetlana w następującej kolejności: „1°C > 2°C > 3°C > 4°C > 5°C > 6°C > 7°C > 8°C > 9°C



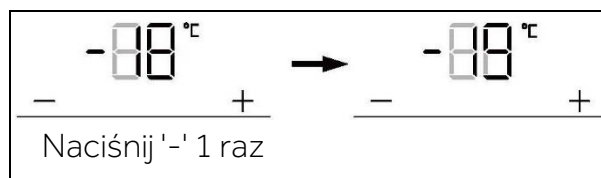
### **i** Uwaga

Po ustawieniu temperatury, jeśli w ciągu 5 sekund nie zostanie wykonana żadna operacja, system automatycznie zapisze ustawioną temperaturę.

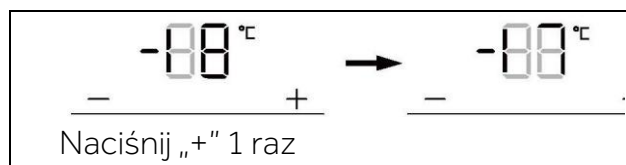
### Ustaw temperaturę zamrażarki

1. Gdy ekran wyświetlacza jest odblokowany, naciśnij przycisk „C” (przełącznik strefy). Brzęczyk zadzwoni raz, wskaźnik „c2” (wskaźnik zamrażarki) miga, a następnie uruchamia się tryb ustawiania temperatury w zamrażarce.

2. Naciśnij przycisk „D1” (przycisk regulacji temperatury „-”). Brzęczyk zadzwoni jeden raz, a ustawiona temperatura zamrażarki zostanie zmniejszona o 1. Temperatura chłodziarki będzie wyświetlana w następującej kolejności: „-14°C > -15°C > -16°C > -17°C > -18°C > -19°C > -20°C > -21°C > -22°C > -23°C > -24°C.



3. Naciśnij przycisk „D2” (przycisk regulacji temperatury „+”). Brzęczyk zadzwoni raz, ustawiona temperatura zamrażarki zostanie zwiększona o 1. Temperatura chłodziarki będzie wyświetlana w następującej kolejności: „-24°C > -23°C > -22°C > -21°C > -20°C > -19°C > -18°C > -17°C > -16°C > -15°C > -14°C.



### **i** Uwaga

Po ustawieniu temperatury, jeśli w ciągu 5 sekund nie zostanie wykonana żadna operacja, system automatycznie zapisze ustawioną temperaturę.



## Tryb Auto Set

1. Gdy ekran wyświetlacza jest odblokowany, naciśnij przycisk „A” (przełącznik trybu Auto Set), brzęczyk zadzwoni jeden raz, wskaźnik „a1” (tryb Auto Set) zaświeci się, a następnie funkcja Auto Set zostanie włączona.
2. Gdy zaświeci się wskaźnik „a1” (tryb Auto Set), naciśnij przycisk „A” (przełącznik trybu Auto Set), brzęczyk zadzwoni raz, wskaźnik „a1” (tryb Auto Set) zgaśnie, a następnie funkcja Auto Set zostanie wyłączona



## Uwaga

W trybie Auto Set nie można regulować temperatury chłodziarki lub zamrażarki. Jeśli przycisk „D1” (przycisk regulacji temperatury „-”) lub przycisk „D2” (przycisk regulacji temperatury „+”) zostanie naciśnięty w celu regulacji temperatury chłodziarki lub zamrażarki, wskaźnik „a1” (wskaźnik Auto Set) będzie migać i rozlegnie się dźwięk wskazujący, że nie można wykonać tej operacji.

W trybie Auto Set ze względu na różne sposoby sterowania, jeśli ustawiona jest funkcja „Super-Cool”, „Super-Freeze” lub „Holiday”, wskaźnik „a1” (tryb Auto Set) gaśnie, a następnie funkcja Auto Set jest automatycznie wyłączana.

## Tryb Holiday

Tryb Holiday jest przydatny w przypadku, gdy chłodziarka nie jest używana przez dłuższy czas. Gdy tryb Holiday jest włączony, temperatura w zamrażarce jest sterowana w sposób standardowy, a temperatura chłodziarki jest automatycznie ustawiana na 17°C. Rzeczywista temperatura nie przekracza 17°C, co zapobiega powstawaniu nieprzyjemnego zapachu spowodowanego zbyt wysoką temperaturą, a jednocześnie pomaga zmniejszyć zużycie energii.

1. Gdy ekran wyświetlacza jest odblokowany, naciśnij przycisk „B” (wybór trybu Holiday), brzęczyk zadzwoni jeden raz, wskaźnik „b” (tryb Holiday) zaświeci się, a następnie zostanie włączona funkcja Holiday.
2. Gdy wskaźnik „b” (tryb Holiday) zaświeci się, naciśnij przycisk „B” (przełącznik trybu Holiday), brzęczyk zadzwoni raz, wskaźnik „b” (tryb Holiday) zgaśnie, a następnie funkcja Holiday zostanie wyłączona



## Uwaga

W trybie Holiday nie można regulować temperatury chłodziarki. Jeśli przycisk „D1” (przycisk regulacji temperatury „-”) lub przycisk „D2” (przycisk regulacji temperatury „+”) zostanie naciśnięty w celu regulacji temperatury chłodziarki, wskaźnik „b” (wskaźnik Holiday) będzie migać i rozlegnie się dźwięk wskazujący, że nie można wykonać tej operacji.

Przed użyciem funkcji Holiday należy opróżnić chłodziarkę, aby zapobiec zepsuciu się przechowywanej żywności. Gdy funkcja Holiday jest włączona, nie można jednocześnie włączyć funkcji „Auto Set” lub „Super-Cool”.

### Funkcja Super-Cool

1. Gdy ekran wyświetlacza jest odblokowany, naciśnij przycisk „F” (przełącznik Super-Cool), brzęczyk zadzwoni jeden raz, wskaźnik „f” (funkcja Super-Cool) zaświeci się, a następnie funkcja Super-Cool zostanie włączona.
2. Gdy zaświeci się wskaźnik „f” (funkcja Super-Cool), naciśnij przycisk „F” (przełącznik funkcji Super-Cool), brzęczyk zadzwoni jeden raz, wskaźnik „f” (funkcja Super-Cool) zgaśnie, a następnie funkcja Super-Cool zostanie wyłączona.
3. Po włączeniu funkcji Super-Cool chłodziarka automatycznie ją wyłączy, gdy osiągnięty zostanie określony stan. Jeśli chcesz zamknąć ją ręcznie, możesz nacisnąć przycisk „F” (przełącznik Super-Cool).



## Uwaga

W trybie Super-Cool nie można regulować temperatury chłodziarki. Jeśli przycisk „D1” (przycisk regulacji temperatury „-”) lub przycisk „D2” (przycisk regulacji temperatury „+”) zostanie naciśnięty w celu regulacji temperatury chłodziarki, wskaźnik „f” (wskaźnik Super-Cool) będzie migać i rozlegnie się dźwięk wskazujący, że nie można wykonać tej operacji.

Po uruchomieniu funkcji Super-Cool nie można jednocześnie włączyć funkcji Auto-Set lub Holiday ze względu na różne tryby sterowania. Gdy wybierzesz funkcję, która koliduje z inną funkcją, pierwotnie wybrana funkcja zostanie automatycznie zamknięta.

## Funkcja Super-Freeze (Super-Frz.)

1. Gdy ekran wyświetlacza jest odblokowany, naciśnij przycisk „E” (przełącznik Super-Frz.), brzęczyk zadzwoni raz, wskaźnik „e1” (funkcja Super-Freeze) zapali się, a następnie funkcja Super-Freeze zostanie włączona.
2. Gdy zaświeci się wskaźnik „e1” (funkcja Super-Freeze), naciśnij przycisk „E” (przełącznik funkcji Super-Frz.), brzęczyk zadzwoni jeden raz, wskaźnik „e1” (funkcja Super-Freeze) zgaśnie, a następnie funkcja Super-Freeze zostanie wyłączona.
3. Po włączeniu funkcji Super-Freeze chłodziarka automatycznie ją wyłączy, gdy osiągnięty zostanie określony stan. Jeśli chcesz zamknąć ją ręcznie, możesz nacisnąć przycisk „E” (przełącznik Super-Frz.).



## Uwaga

W stanie Super-Freeze nie można regulować temperatury zamrażarki. Jeśli przycisk „D1” (przycisk regulacji temperatury „-”) lub przycisk „D2” (przycisk regulacji temperatury „+”) zostanie naciśnięty w celu regulacji temperatury zamrażarki, wskaźnik „e1” (wskaźnik Super-Frz.) będzie migać i rozlegnie się dźwięk wskazujący, że nie można wykonać tej operacji.

Po uruchomieniu funkcji Super-Freeze nie można jednocześnie włączyć funkcji Auto-Set ze względu na różne tryby sterowania. Gdy wybierzesz funkcję, która koliduje z inną funkcją, pierwotnie wybrana funkcja zostanie automatycznie zamknięta.

## Funkcja filtrowania

Gdy chłodziarka działa przez sześć miesięcy, wskaźnik przypomnienia „c3” (funkcja resetowania filtra) zaświeci się, aby przypomnieć użytkownikom o konieczności wymiany filtra. Po wymianie filtra przytrzymaj przycisk „C” (przełącznik funkcji resetowania filtra) przez 3 sekundy, aby anulować przypomnienie; odliczanie czasu zostanie zresetowane i rozlegnie się dzwonek brzęczyka.

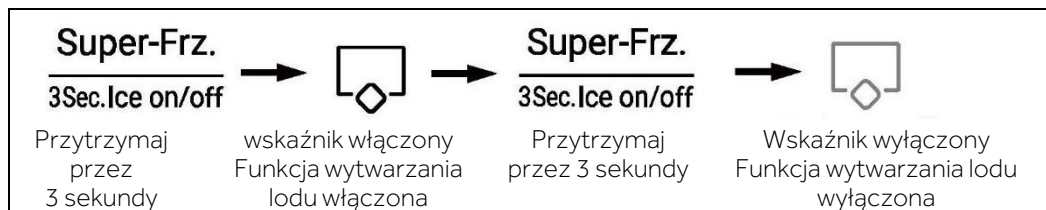


## Uwaga

Normalna żywotność filtra wynosi sześć miesięcy. Zaleca się wymianę filtra co sześć miesięcy.

## Tryb Kostkarki do lodu

1. W stanie odblokowanym naciśnij przycisk „E” (przełącznik trybu kostkarki do lodu) i przytrzymaj przez 3 sekundy, brzęczyk zadzwoni jeden raz, zaświeci się wskaźnik „e2” (tryb kostkarki do lodu), a następnie tryb kostkarki do lodu zostanie włączony.
2. Kiedy zaświeci się wskaźnik „e2” (tryb kostkarki do lodu), naciśnij przycisk „E” (przełącznik trybu kostkarki do lodu) i przytrzymaj przez 3 sekundy, brzęczyk zadzwoni jeden raz, wskaźnik „e2” (tryb kostkarki do lodu) zgaśnie i wówczas tryb kostkarki do lodu zostanie wyłączony



## Uwaga

Gdy aplikacja jest włączona, kostkarka do lodu jest domyślnie wyłączona.

Jeśli nie potrzebujesz kostek lodu przez dłuższy czas, wyłącz funkcję kostkarki do lodu, opróżnij pojemnik i włóż oczyszczony pojemnik.

Kostkarka do lodu może być konfigurowana tylko u producenta lub zakupiona od jego przedstawiciela serwisowego.

## Funkcja dopływu wody

Niezależnie od stanu (zablokowane lub odblokowane), naciśnij przycisk „H1” (przełącznik funkcji dopływu wody), brzęczyk zadzwoni raz, wskaźnik „h1” (funkcja dopływu wody) zapali się, a następnie funkcja dopływu wody zostanie włączona.



## Uwaga

1. Gdy świeci się wskaźnik „h1” (funkcja poboru wody), wskaźnik „h2” (funkcja kostki lodu) i wskaźnik „h3” (funkcja kruszonego lodu) gasną. Po naciśnięciu łopatkki dozownika woda wypłynie z otworu wlotowego.
2. Gdy czas dopływu wody osiągnie 150 sekund, chłodziarka wyda sygnał dźwiękowy i woda będzie płynąć do momentu, gdy czas dopływu wyniesie 180 sekund; woda zostanie wówczas odcięta i zawór wody uruchomi czas ochrony wynoszący 200 sekund. Po jego upływie można wznowić pobór wody.
3. Kiedy skumulowany czas poboru wody osiągnie 5 minut w ciągu 10 minut, zawór wody wchodzi w 10-minutowy czas ochrony, a następnie pobór wody może zostać ponownie przeprowadzony.

## Funkcja lodu w kostkach

Niezależnie od stanu (zablokowane lub odblokowane), naciśnij przycisk „H2” (przełącznik funkcji lodu w kostkach), brzęczyk zadzwoni raz, wskaźnik „h2” (funkcja lodu w kostkach) zapali się, a następnie funkcja wytwarzania lodu w kostkach zostanie włączona.



## Uwaga

1. Gdy zaświeci się wskaźnik „h2” (funkcja lodu w kostkach), wskaźnik „h1” (funkcja poboru wody) i wskaźnik „h3” (funkcja kruszonego lodu) zgasną. Po naciśnięciu mikroprzełącznika dystrybutora z otworu wlotowego wypadnie lód w kostkach.
2. Gdy kostkarka do lodu jest po raz pierwszy podłączona do prądu, funkcja lodu w kostkach jest domyślnie wyłączona.
3. Naciśnij mikroprzełącznik dozownika, jego podświetlenie włączy się po otwarciu pokrywy. Następnie silnik mechanizmu kruszenia lodu zaczyna się obracać w kierunku przeciwnym do ruchu wskazówek zegara, aby wypchnąć kostki lodu. Poluzuj mikrowyłącznik urządzenia, silnik kruszenia lodu zatrzyma się, pokrywa urządzenia zamknie się, a światło zgaśnie po 5 sekundach.
4. W trybie wytwarzania lodu w kostkach, gdy czas pobierania kostek lodu jest dłuższy niż 50 sekund, brzęczyk zacznie ostrzegać (pukać), aby zasygnalizować, że użytkownicy muszą go wyłączyć. Gdy czas osiągnie 1 minutę, wymuszone zostaje zatrzymanie wytwarzania kostek lodu; zostanie ono wznowione po ponownym naciśnięciu przełącznika.
5. W trybie wytwarzania lodu w kostkach, jeśli drzwi chłodziarki zostaną otwarte, silnik podający lód zatrzyma się, pokrywa dystrybutora będzie zamknięta, zgaśnie kontrolka dystrybutora, a funkcja wytwarzania lodu w kostkach zostanie zatrzymana.
6. Zabronione jest pobieranie lodu przy otwartych drzwiach chłodziarki.

## Funkcja kruszonego lodu

Niezależnie od stanu (zablokowane lub odblokowane), naciśnij przycisk „H3” (przełącznik funkcji kruszonego lodu), brzęczyk zadzwoni raz, wskaźnik „h3” (funkcja kruszonego lodu) zapali się, a następnie funkcja kruszonego lodu zostanie włączona.



## **i** Uwaga

Gdy zaświeci się wskaźnik „h3” (funkcja lodu w kostkach), wskaźnik „h1” (funkcja poboru wody) i wskaźnik „h2” (funkcja kruszonego lodu) zgasną. Po naciśnięciu mikroprzełącznika dystrybutora kruszony lód wypłynie z otworu wlotowego.

Naciśnij mikroprzełącznik dozownika, jego podświetlenie włączy się po otwarciu pokrywy. Następnie silnik mechanizmu kruszenia lodu zaczyna się obracać zgodnie z ruchem wskazówek zegara, aby wypchnąć kostki lodu. Poluzuj mikroprzełącznik dozownika; silnik kruszenia lodu zatrzyma się, pokrywa dozownika zamknie się, a lampka zgaśnie po 5 sekundach.

W trybie kruszenia lodu, gdy czas kruszenia lodu jest dłuższy niż 50 sekund, brzęczyk zacznie ostrzegać (pukać), aby zasygnalizować, że użytkownicy muszą go wyłączyć. Gdy czas osiągnie 1 minutę, wymuszone zostaje zatrzymanie kruszenia lodu; zostanie ono wznowione po ponownym naciśnięciu przełącznika.

W trybie lodu kruszonego, jeśli drzwi chłodziarki zostaną otwarte, silnik podający lód zatrzyma się, pokrywa dystrybutora będzie zamknięta, zgaśnie kontrolka dystrybutora, a funkcja lodu kruszonego zostanie zatrzymana.

Kruszenie lodu przy otwartych drzwiach chłodziarki jest zabronione.

### **Alarm otwarcia drzwi**

Jeśli drzwi pozostają zbyt długo otwarte lub nie są dobrze zamknięte, chłodziarka będzie emitować sygnał dźwiękowy w określonych odstępach czasu, aby przypomnieć o zamknięciu drzwi.

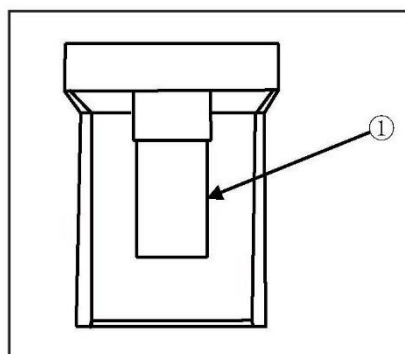
### **Pamięć podczas awarii zasilania**

Zapamiętywany jest stan roboczy w chwili wyłączenia zasilania. Po ponownym włączeniu urządzenie działa zgodnie z ustawieniem przed wyłączeniem

### **Korzystanie z dozownika lodu i wody**

Naciśnij kilkakrotnie przycisk wyboru dozownika, aż zaświeci się kontrolka nad żądanym wskaźnikiem.

Naciśnij łopatkę dozownika (1) szklanką lub innym pojemnikiem, aby pobrać lód w kostkach, wodę lub lód kruszony.

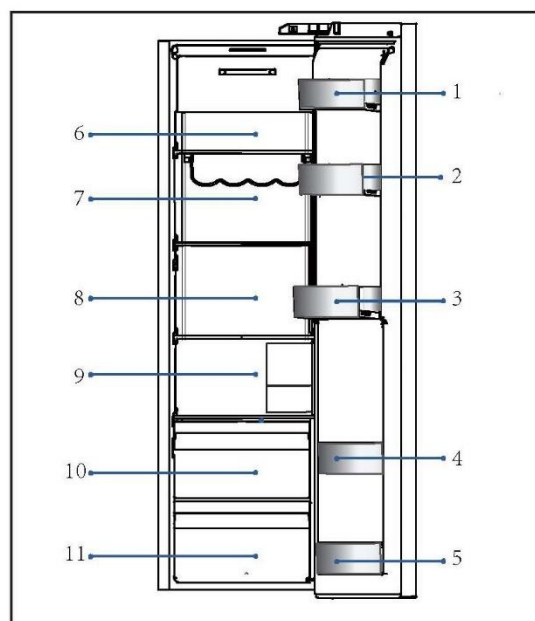


# WSKAZÓWKI DOTYCZĄCE PRZECHOWYWANIA ŚWIEŻEJ ŻYWNOŚCI

## Przechowywanie w komorze chłodziarki

1. Należy utrzymywać temperaturę w chłodziarce poniżej 5 °C.
2. Gorące jedzenie musi zostać schłodzone do temperatury pokojowej przed włożeniem go do urządzenia.
3. Żywność przechowywaną w chłodziarce należy umyć i wysuszyć przed przechowywaniem.
4. Przechowywana żywność powinna być odpowiednio zamknięta, co pozwoli uniknąć zmiany zapachu lub smaku.
5. Nie przechowuj nadmiernych ilości żywności. Należy zachować odstępy pomiędzy produktami spożywczymi, aby umożliwić cyrkulację zimnego powietrza dla zapewnienia lepszego i bardziej jednorodnego chłodzenia
6. Żywność spożywaną codziennie należy przechowywać z przodu półki.
7. Pozostaw szczelinę między żywnością a ścianami wewnętrznymi, umożliwiając przepływ powietrza. W szczególności nie przechowuj żywności przy tylnej ścianie: żywność może przymarznąć do tylnej ściany. Unikaj bezpośredniego kontaktu żywności (zwłaszcza tłustej lub kwaśnej) z wkładką wewnętrzną, ponieważ olej/kwas może spowodować erozję wkładki wewnętrznej. Usuń tłuste/kwaśne zabrudzenia, gdy tylko się pojawią.
8. Rozmrażaj mrożoną żywność w komorze chłodziarki. W ten sposób można wykorzystać zamrożoną żywność do obniżenia temperatury w komorze i oszczędzania energii.
9. Proces starzenia owoców i warzyw, takich jak cukinia, melon, papaja, banan, ananas itp. można przyspieszyć w chłodziarce. Dlatego nie zaleca się przechowywania ich w chłodziarce. Jednak przez pewien czas możliwe jest przyspieszenie dojrzewania zielonych owoców. Cebula, czosnek, imbir i inne warzywa korzeniowe również powinny być przechowywane w temperaturze pokojowej.
10. Nieprzyjemne zapachy wewnątrz chłodziarki to znak, że coś się rozlało i konieczne jest czyszczenie. Zobacz „PIELĘGNACJA I CZYSZCZENIE”.
11. Różne rodzaje żywności należy umieszczać w różnych miejscach zgodnie z ich właściwościami:

- 1-Masło, sery itp.
- 2-Jaja, konserwy, przyprawy itp.
- 3/4/5-Napoje i żywność w butelkach.
- 6-Żywność marynowana, konserwy itp.
- 7/8-Produkty mięsne, ryby, surowa żywność
- 9-Puszki, produkty mleczne itp.
- 10-Owoce, warzywa, sałata itp.
- 11-Gotowane mięso, kiełbaski itp.



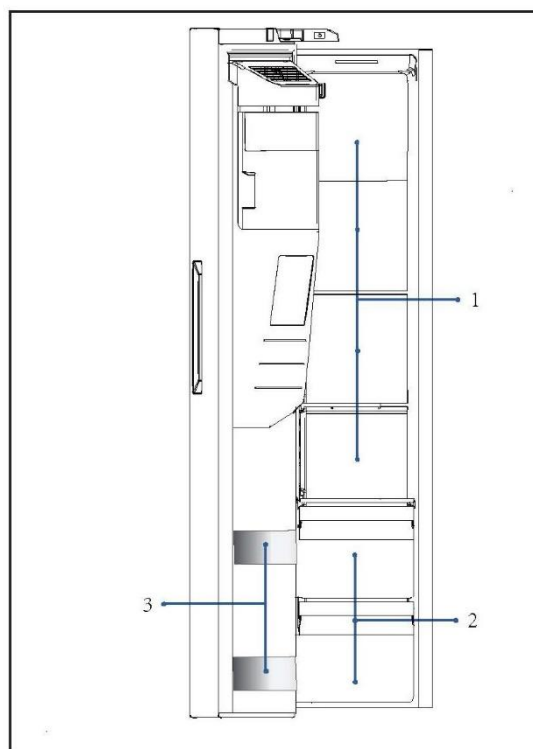


## WSKAZÓWKI DOTYCZĄCE PRZECHOWYWANIA ŚWIEŻEJ ŻYWNOŚCI

### Przechowywanie w komorze zamrażarki

1. Utrzymuj temperaturę zamrażarki na poziomie  $-18^{\circ}\text{C}$ .
2. 12 godzin przed zamrożeniem dodatkowych artykułów włącz funkcję Super-Freeze; w przypadku małych ilości jedzenia wystarczy 4-6 godzin.
3. Gorące jedzenie musi zostać schłodzone do temperatury pokojowej przed włożeniem go do komory zamrażarki.
4. Żywność pokrojona na małe porcje zamraża się szybciej i jest łatwiejsza do rozmrożenia i ugotowania. Zalecana waga każdej porcji wynosi mniej niż 2,5 kg.
5. Zaleca się zapakowanie żywności przed jej włożeniem do zamrażarki. Zewnętrzna strona opakowania musi być sucha, aby uniknąć sklejania się worków. Materiały opakowaniowe powinny być bezwonne, hermetyczne, nietrujące i nietoksyczne.
6. Aby uniknąć upływu terminu przydatności do spożycia, należy podać na opakowaniu datę zamrożenia, termin i nazwę produktu, zgodnie z okresami przechowywania różnych produktów spożywczych.
7. **OSTRZEŻENIE!:** Kwas, zasady, sól itp. mogą spowodować erozję wewnętrznej powierzchni zamrażarki. Nie należy umieszczać żywności zawierającej te substancje (np. ryb morskich) bezpośrednio na wewnętrznej powierzchni. Słona woda w zamrażarce powinna być natychmiast oczyszczona.
8. Nie należy przekraczać czasu przechowywania żywności zalecanego przez producentów. Należy wyjąć z zamrażarki tylko wymaganą ilość jedzenia.
9. Różne rodzaje żywności należy umieszczać w różnych miejscach zgodnie z ich właściwościami:

- 1- Produkty o mniejszej wadze, takie jak lody, warzywa, chleb itp.
- 2- Duże / cięższe porcje jedzenia, takie jak kawałki mięsa do pieczenia
- 3- Pizza itp.





## UWAGA: PRZECHOWYWANIE

1. Zachowaj odległość większą niż 10 mm między żywnością a czujnikiem, aby zapewnić efekt chłodzenia.
2. Należy pozostawić najniższą szufladę w urządzeniu podczas jego pracy, aby zapewnić efekt chłodzenia.
3. Artykuły spożywcze zawierające lód (np. lody itp.) należy przechowywać w komorze zamrażarki, a nie w uchwytach na butelki. Zmiany temperatury, na jakie narażone są uchwyty na butelki, spowodowane otwieraniem i zamykaniem drzwiczek, mogą spowodować rozmrożenie żywności.
4. Należy szybko spożyć rozmrożoną żywność. Rozmrożonej żywności nie można ponownie zamrozić, chyba że została wcześniej ugotowana, w przeciwnym razie może stać się niejadalna.
5. Nie wkładaj nadmiernej ilości świeżej żywności do komory zamrażarki. Patrz pojemność zamrażarki - patrz DANE TECHNICZNE lub dane na tabliczce znamionowej.
6. Żywność można przechowywać w zamrażarce w temperaturze co najmniej  $-18^{\circ}\text{C}$  przez 2 do 12 miesięcy, w zależności od jej właściwości (np. mięso: 3-12 miesięcy, warzywa: 6-12 miesięcy)
7. Podczas zamrażania świeżej żywności należy unikać kontaktu z już zamrożoną żywnością. Ryzyko rozmrożenia!
8. Rozmrażaj zamrożoną żywność w chłodziarce. W ten sposób można wykorzystać zamrożoną żywność do obniżenia temperatury w komorze i oszczędzania energii.

### **Przechowując komercyjnie zamrożoną żywność, należy przestrzegać następujących wytycznych:**

1. Zawsze postępuj zgodnie z wytycznymi producenta dotyczącymi czasu przechowywania żywności. Nie przekraczaj czasu wskazanego w tych wytycznych!
2. Staraj się, aby czas od zakupu do umieszczenia w zamrażarce był jak najkrótszy, aby zachować jakość żywności.
3. Kupuj mrożonki, które były przechowywane w temperaturze  $-18^{\circ}\text{C}$  lub niższej.
4. Unikaj kupowania żywności, której opakowanie jest pokryte lodem lub szronem — oznacza to, że produkty mogły w pewnym momencie zostać częściowo rozmrożone i ponownie zamrożone — wzrost temperatury wpływa na jakość żywności.

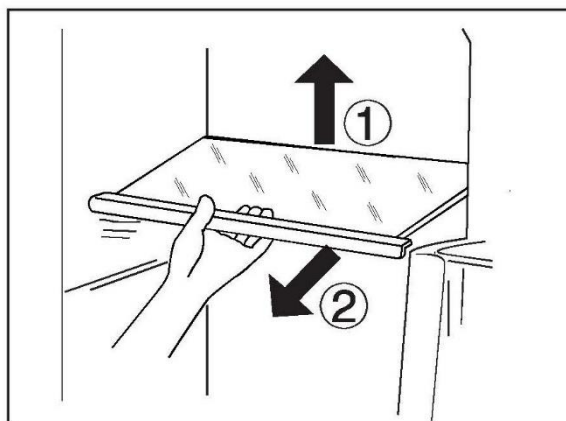


## Wskazówki dotyczące oszczędzania energii

- ▶ Upewnij się, że urządzenie jest właściwie wentylowane (patrz MONTAŻ).
- ▶ Nie należy instalować urządzenia w bezpośrednim świetle słonecznym lub w pobliżu źródeł ciepła (np. pieców, grzejników).
- ▶ Unikaj niepotrzebnie niskiej temperatury w urządzeniu. Zużycie energii zwiększa się wraz z ustawieniem niższej temperatury w urządzeniu.
- ▶ Funkcje takie jak POWER- FREEZE zwiększają zużycie energii.
- ▶ Przed włożeniem ciepłej żywności do urządzenia należy poczekać, aż ostygnie.
- ▶ Otwieraj drzwi możliwie rzadko i na krótko.
- ▶ Nie przepętniaj urządzenia, aby nie blokować przepływu powietrza.
- ▶ Unikaj powietrza w opakowaniu z żywnością.
- ▶ Utrzymuj w czystości uszczelki drzwi, aby zapewnić prawidłowe ich zamykanie
- ▶ Rozmrażaj mrożoną żywność w komorze chłodziarki.
- ▶ Najbardziej energooszczędna konfiguracja wymaga, aby pojemniki i półki były umieszczone w urządzeniu jak w stanie fabrycznym, a żywność powinna być rozmieszczona w taki sposób, aby nie blokowała wylotu kanału wentylacyjnego.

## Regulowane półki

1. Wysokość półek można dostosować do potrzeb przechowywania.
2. Aby przenieść półkę, zdejmij ją najpierw, podnosząc tylną krawędź ① i wyciągając ②.
3. Aby ponownie zamontować półkę, należy nałożyć ją na uchwyty po obu stronach i przesunąć do pozycji najbardziej wysuniętej do tyłu, aż tylna część półki znajdzie się w szczelinach po bokach

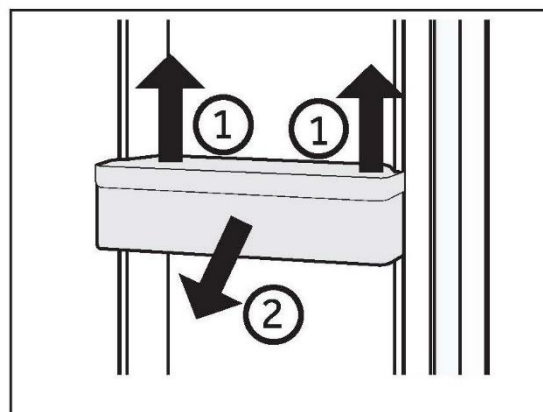


## UWAGA

Upewnij się, że wszystkie końce półki są wypoziomowane.

## Zdejmowane półki na drzwiach/uchwyt na butelki

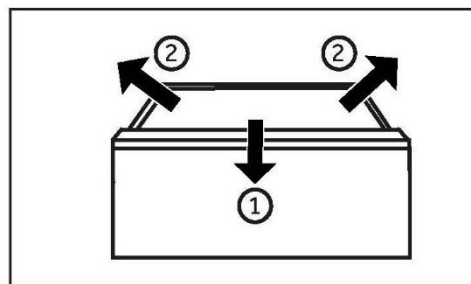
1. Półki na drzwiach/uchwyt na butelki można wyjąć do czyszczenia:
2. Umieścić ręce po obu stronach stojaków/uchwytów na butelki, podnieść je do góry ① i wyciągnij ②.
3. Aby włożyć półki na drzwi/uchwyt na butelki, powyższe kroki należy wykonać w odwrotnej kolejności



## Wymowana szuflada

Aby wyjąć szufladę, wyciągnij ją maksymalnie ①, podnieś i wyjmij ②.

W celu ponownego włożenia szuflady powyższe czynności wykonuje się w odwrotnej kolejności.



## Pojemnik na lód

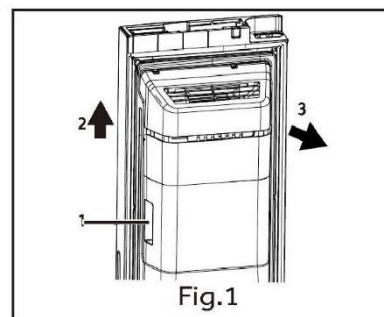
### Zatrzymanie produkcji lodu

Jeśli lód lub woda nie są potrzebne przez dłuższy czas, zawór między dopływem wody a urządzeniem można zamknąć.

Pojemnik na lód należy wyczyścić, wysuszyć i włożyć z powrotem do urządzenia, aby zapobiec powstawaniu przykrych zapachów.

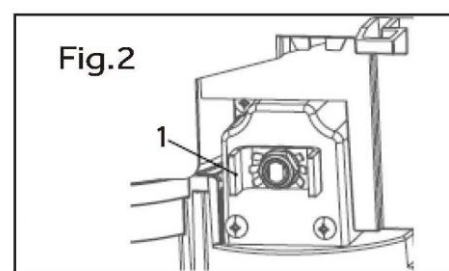
### Wymywanie pojemnika na lód

1. Chwyć oba boczne uchwyty.
2. Podnieś pojemnik.
3. Wyciągnij pojemnik.



### Ponowna instalacja pojemnika na lód

Aby ponownie zainstalować pojemnik na lód, wspornik w kształcie litery U za pojemnikiem na lód (1 na rys. 2) musi być wyrównany z odpowiednią metalową konstrukcją. Wykonaj czynności z rys. 1 w odwrotnej kolejności.



### UWAGA

Wilgoć może skraplać się i zamrażać pojemnik na lód.



### OSTRZEŻENIE!

Przed czyszczeniem odłącz urządzenie od zasilania sieciowego.

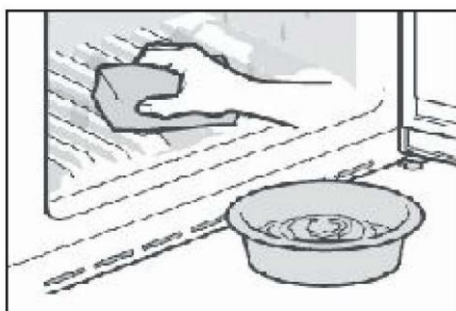
#### Czyszczenie

Urządzenie należy czyścić, gdy przechowywana jest niewielka ilość żywności lub nie ma jej wcale. Urządzenie powinno być czyszczone co cztery tygodnie, aby zapewnić dobrą konserwację i zapobiec nieprzyjemnym zapachom przechowywanej żywności.



### OSTRZEŻENIE!

- ▶ Nie czyść urządzenia za pomocą twardych szczotek, szczotek drucianych, detergentów proszkowych, benzyny, octanu amylnego, acetonu i podobnych roztworów organicznych, kwasu lub roztworów alkalicznych. Do czyszczenia należy używać specjalnego detergentu do chłodziarek, aby uniknąć uszkodzenia.
- ▶ Nie używaj aerozolu ani nie przepłukuj urządzenia podczas czyszczenia.
- ▶ Nie używaj wody lub pary do czyszczenia urządzenia.
- ▶ Nie czyść zimnych szklanych półek gorącą wodą. Nagła zmiana temperatury może spowodować pęknięcie szkła.
- ▶ Nie dotykaj wnętrza komory, zwłaszcza mokrymi rękami, ponieważ mogą one przymarznąć do jej powierzchni.
- ▶ W przypadku zwiększenia temperatury sprawdzić stan zamrożonych produktów.



- ▶ Uszczelka drzwi powinna być zawsze utrzymywana w czystości.
  - ▶ Czyść wnętrze i obudowę urządzenia gąbką zanurzoną w ciepłej wodzie i neutralnym detergentem.
1. Czyścić wnętrze i zewnętrzną część chłodziarki, w tym uszczelnienie drzwi, stojak na drzwi, szklane półki, pudełka itd., miękkim ręcznikiem lub gąbką zanurzoną w ciepłej wodzie (można dodać neutralny detergent do ciepłej wody).
  2. W przypadku rozlania płynu usunąć wszystkie zanieczyszczone części, bezpośrednio spłukać bieżącą wodą, osuszyć i włożyć z powrotem do chłodziarki.
  3. W przypadku rozlanego kremu (np. śmietany, topniejących lodów), należy wyjąć wszystkie zanieczyszczone części, włożyć je na chwilę do ciepłej wody o temperaturze ok. 40°C, następnie spłukać bieżącą wodą, osuszyć i włożyć z powrotem do chłodziarki.
  4. W przypadku, gdy jakaś mała część lub element dostanie się do wnętrza chłodziarki (pomiędzy półki lub szuflady), użyć małego miękkiego pędzelka, aby go wyciągnąć. Jeśli nie udało się dotrzeć do tego elementu, prosimy o kontakt z serwisem Haier
- ▶ Spłucz i wysusz miękką ściereczką.
  - ▶ Nie należy myć żadnych części urządzenia w zmywarce do naczyń.
  - ▶ Odczekaj co najmniej 5 minut przed ponownym uruchomieniem urządzenia, ponieważ częste uruchamianie może uszkodzić sprężarkę.

#### Rozmrażanie

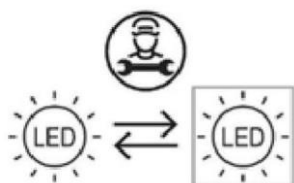
Rozmrażanie komór chłodziarki i zamrażarki przebiega automatycznie; nie jest wymagana ręczna obsługa.

### Wymiana lampek LED

#### **OSTRZEŻENIE!**

Nie wolno samodzielnie wymieniać lampy LED, może to zrobić tylko producent lub autoryzowany serwis.

Jako źródło światła lampy wykorzystują diody LED, charakteryzujące się niskim zużyciem energii i długą żywotnością. W przypadku wystąpienia jakichkolwiek nieprawidłowości prosimy o kontakt z działem obsługi klienta. Zob. OBSŁUGA KLIENTA.



Wymienne (tylko LED) źródło światła przez profesjonalistę.

Ten produkt zawiera źródło światła o klasie efektywności energetycznej G.

Komora	Napięcie	Klasa efektywności energetycznej	Model
Chłodziarka	12 V	G	HSW59F18DIMM
Zamrażarka	12 V	G	HSW79F18DIPT
Lampka tylna	12 V	G	HSW79F18DIPT

#### **Czyszczenie pojemnika na lód**

Pojemnik na lód należy okresowo czyścić ciepłą wodą, zwłaszcza jeśli kostki lodu się starzeją i stają się nieświeże. Dobrze osusz pojemnik przed ponownym włożeniem go do urządzenia, aby zapobiec przywieraniu kostek lodu do ścianek.

#### **Nieużytkowanie przez dłuższy okres**

Jeżeli urządzenie nie będzie używane przez dłuższy czas i nie będzie wykorzystywana funkcja Holiday chłodziarki:

- ▶ Wyjmij żywność.
- ▶ Odłącz przewód zasilający.
- ▶ Wyczyść urządzenie jak opisano powyżej.
- ▶ Zostaw drzwi otwarte, aby zapobiec tworzeniu się wewnątrz nieprzyjemnych zapachów.

#### **UWAGA**

Wyłącz urządzenie tylko wtedy, gdy jest to absolutnie konieczne.



### Przenoszenie urządzenia

1. Wyjmij wszystkie produkty spożywcze i odłącz urządzenie od zasilania.
2. Zabezpiecz taśmą klejącą półki i inne ruchome części w zamrażarce.
3. Nie przechylaj chłodziarki pod kątem większym niż 45°, aby uniknąć uszkodzenia układu chłodniczego.



### OSTRZEŻENIE!

- ▶ Nie podnoś urządzenia za klamki.
- ▶ Nigdy nie należy ustawiać urządzenia poziomo na ziemi.

### Wymiana filtra

Filtr wody należy wymieniać mniej więcej co 6 miesięcy, gdy zaświeci się wskaźnik „c3” (funkcja resetowania filtra).

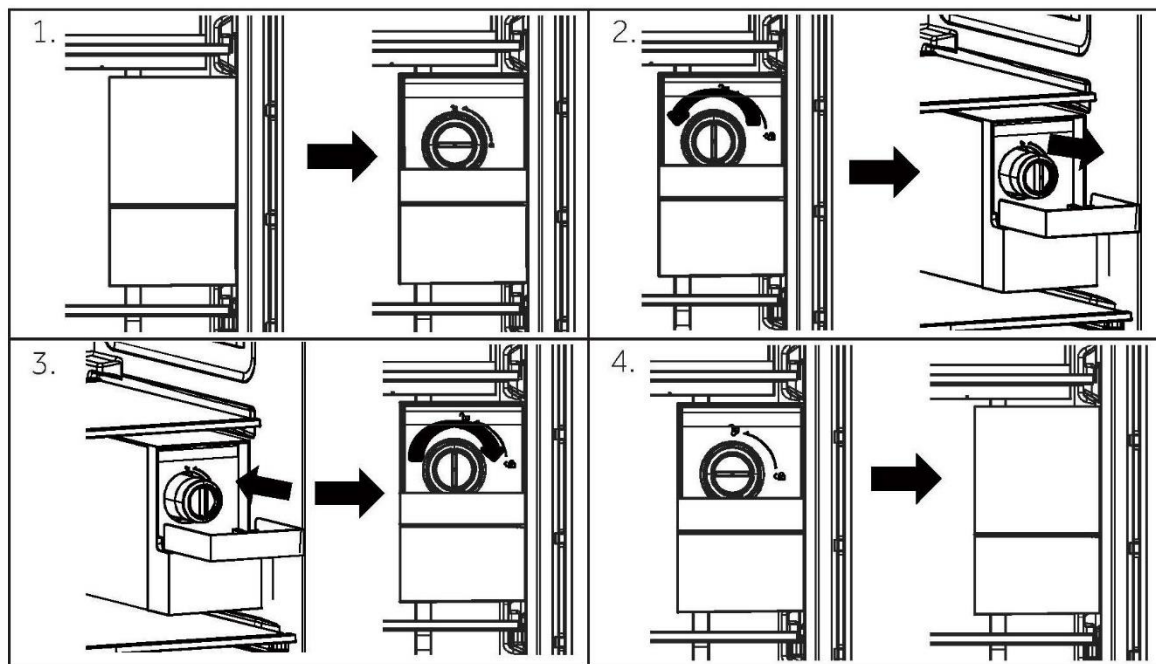
Aby kupić filtr wody na wymianę:

- Użyj wymiennego wkładu: HRXWF,
- Skontaktuj się z lokalnym sprzedawcą lub dystrybutorem. Aby uzyskać dalszą pomoc, odwiedź naszą stronę internetową [www.haierpares.eu](http://www.haierpares.eu)



### Uwaga

- ▶ Wymiana filtra wody powoduje spuszczenie niewielkiej ilości wody (około 25 cm<sup>3</sup>).
  - ▶ Owiń ściereczką wokół przedniej części pokrywy filtra wody, aby zebrać wyciekającą wodę. Po wyjęciu filtra wody, trzymaj go pionowo, aby zapobiec wylaniu się pozostałej wody z filtra.
1. Naciśnij środek górnej pokrywy i obróć w dół.
  2. Wyjmij jednorazowy filtr wody.
  3. Zamontuj nowy filtr wody. Włóż nowy filtr do głowicy filtra i obracaj go zgodnie z ruchem wskazówek zegara, aż strzałka na nowym filtrze zrówna się ze strzałką na głowicy filtra. Wsuń filtr z powrotem do komory.
  4. Zamknij pokrywę filtra wody.



5. Naciśnij i przytrzymaj przycisk 3Sec. Filter Reset przez 3 sekundy.
6. Pobieraj wodę przez około 5 minut, aby usunąć uwięzione powietrze i zanieczyszczenia.



## OSTROŻNIE!

- ▶ Niedokonanie wymiany filtrów, gdy jest to konieczne, lub stosowanie filtrów do wody niezatwierdzonych przez firmę Haier może spowodować wyciekanie wody z wkładu filtra i uszkodzenie mienia.

### Filtr wody

#### Model: Haier HRXWF

- ▶ System certyfikowany przez IAPMO R&T zgodnie ze standardami NSF/ANSI 42, 53, 401 i P473 w celu ograniczenia roszczeń na podstawie danych określonych w karcie charakterystyki i w [iapmort.org](http://iapmort.org).
- ▶ Rzeczywista wydajność może się różnić w zależności od lokalnej instalacji wodnej.

#### Wytyczne dotyczące stosowania/parametry instalacji wodnej

Przepływ roboczy: 0,5 g/min (1,89 obr./min)

Instalacja wodna: Woda pitna

Ciśnienie wody: 25-120 psi (172-827 kPa)

Temperatura wody: 0,6°C-38°C

Pojemność: 170 galonów (643,5 litra)





Aby produkt działał zgodnie z deklaracją producenta, konieczne jest spełnienie wymagań dotyczących instalacji, konserwacji i wymiany filtrów. Informacje o gwarancji można znaleźć w instrukcji instalacji.

### Uwaga

Chociaż testy przeprowadzono w standardowych warunkach laboratoryjnych, rzeczywista wydajność może się różnić. Wkład wymienny: HRXWF Szacunkowe koszty wymiany elementów można znaleźć na naszej stronie internetowej [www.haierparts.eu](http://www.haierparts.eu).

### OSTRZEŻENIE!

- ▶ Aby zmniejszyć ryzyko związane ze spożyciem zanieczyszczeń:
- ▶ Nie stosuj wody, która nie spełnia norm mikrobiologicznych lub jej jakość nie jest znana bez dokonania odpowiedniej dezynfekcji przed lub poza systemem. Po dezynfekcji wody, która może zawierać mikroorganizmy możliwe do odfiltrowania, można zastosować systemy certyfikowane do redukcji mikroorganizmów.

### Uwaga

**Aby zmniejszyć ryzyko wycieku wody lub zalania i zapewnić optymalną wydajność filtra:**

- ▶ Przed instalacją i użyciem tego systemu zapoznaj się z instrukcjami użytkownika i postępuj zgodnie z nimi.
- ▶ Instalacja i użytkowanie MUSZĄ być zgodne ze wszystkimi stanowymi i lokalnymi przepisami dotyczącymi instalacji hydraulicznych.
- ▶ Nie instaluj, jeśli ciśnienie wody przekracza 120 psi (827 kPa). Jeśli ciśnienie wody przekracza 80 psi (552 kPa), należy zainstalować zawór ograniczający ciśnienie. Skontaktuj się z instalatorem, jeśli nie masz pewności, jak zmierzyć ciśnienie wody.
- ▶ Nie instaluj w miejscach, w których mogą wystąpić uderzenia hydrauliczne. Jeśli istnieje ryzyko uderzeń hydraulicznych, należy zainstalować odpowiedni tłumik. Skontaktuj się z hydraulikiem, jeśli nie wiesz, jak to sprawdzić.
- ▶ Nie instaluj na przewodach doprowadzających ciepłą wodę. Maksymalna robocza temperatura wody tego systemu filtrującego wynosi 38°C.
- ▶ Chroń filtr przed zamarzaniem. Opróżnij filtr, gdy temperatura spadnie poniżej 0,6°C.
- ▶ Wymieniaj jednorazowy wkład filtrujący co sześć miesięcy lub wcześniej, jeśli zauważysz zauważalne zmniejszenie szybkości przepływu wody.
- ▶ Niedokonanie wymiany jednorazowego wkładu filtra w zalecanych odstępach czasu może prowadzić do zmniejszenia wydajności filtra i pęknięć w jego obudowie, powodując wyciek wody lub zalanie.
- ▶ Ten system został przetestowany zgodnie z NSF/ANSI 42, 53, 401 i P473 pod kątem redukcji substancji wymienionych poniżej. Stężenie wskazanych substancji w wodzie wpływającej do systemu zostało zredukowane do stężenia mniejszego lub równego dopuszczalnemu limitowi dla wody opuszczającej system, zgodnie z NSF/ANSI 42, 53, 401 i P473.

Wiele problemów można rozwiązać samodzielnie, bez specjalistycznej wiedzy. W przypadku problemów prosimy sprawdzić wszystkie pokazane możliwości i postępować zgodnie z poniższymi instrukcjami przed skontaktowaniem się z obsługą posprzedażową. Zob. OBSŁUGA KLIENTA.



## OSTRZEŻENIE!

- ▶ Przed przystąpieniem do konserwacji wyłącz urządzenie i wyjmij wtyczkę z gniazdka sieciowego.
- ▶ Urządzenie elektryczne powinno być serwisowane tylko przez wykwalifikowanych ekspertów, ponieważ niewłaściwe naprawy mogą spowodować znaczne szkody.
- ▶ Jeśli kabel zasilania jest uszkodzony, musi on zostać wymieniony przez producenta, serwisanta lub inną wykwalifikowaną osobę w celu uniknięcia niebezpieczeństwa.

Problem	Potencjalna przyczyna	Możliwe rozwiązanie
Sprężarka nie działa.	<ul style="list-style-type: none"> <li>• Wtyczka sieciowa nie jest podłączona do gniazdka.</li> <li>• Urządzenie znajduje się w cyklu rozmrażania</li> </ul>	<ul style="list-style-type: none"> <li>• Podłącz wtyczkę sieciową.</li> <li>• Jest to normalne w przypadku automatycznego odszraniania</li> </ul>
Urządzenie działa często lub przez zbyt długi okres czasu.	<ul style="list-style-type: none"> <li>• Temperatura wewnątrz i na zewnątrz urządzenia jest za wysoka.</li> <li>• Urządzenie było odłączone od zasilania przez określony czas.</li> <li>• Drzwi urządzenia nie są szczelnie zamknięte.</li> <li>• Drzwi były za często otwierane lub pozostawały długo otwarte.</li> <li>• Ustawienie temperatury w komorze zamrażarki jest zbyt niskie.</li> <li>• Uszczelki drzwi są zabrudzone, zużyte, pęknięte lub niedopasowane.</li> <li>• Wymagany przepływ powietrza nie jest gwarantowany.</li> </ul>	<ul style="list-style-type: none"> <li>• W tym przypadku to normalne, że urządzenie będzie pracować dłużej.</li> <li>• Całkowite schłodzenie urządzenia trwa zazwyczaj od 8 do 12 godzin.</li> <li>• Zamknij drzwi i upewnij się, że urządzenie jest ustawione na płaskiej powierzchni i jedzenie lub pojemniki nie blokują drzwi.</li> <li>• Nie otwieraj drzwi/szuflad zbyt często.</li> <li>• Ustaw wyższą temperaturę, aż do uzyskania zadowalającej temperatury w chłodziarce. Temperatura chłodziarki ustabilizuje się po 24 godzinach.</li> <li>• Wyczyść uszczelki drzwi/szuflady lub wymień je z pomocą serwisu obsługi klienta.</li> <li>• Zapewnij odpowiednią wentylację.</li> </ul>
Wnętrze chłodziarki jest brudne i/lub nieprzyjemnie pachnie.	<ul style="list-style-type: none"> <li>• Wnętrze chłodziarki wymaga czyszczenia.</li> <li>• W chłodziarce przechowywana jest żywność o intensywnym zapachu.</li> </ul>	<ul style="list-style-type: none"> <li>• Wyczyść wnętrze chłodziarki.</li> <li>• Dokładnie owiń żywność.</li> </ul>



Problem	Potencjalna przyczyna	Możliwe rozwiązanie
Urządzenie wydaje dziwne dźwięki.	<ul style="list-style-type: none"><li>• Urządzenie nie znajduje się na wypoziomowanym podłożu.</li><li>• Urządzenie dotyka jakiegoś przedmiotu.</li></ul>	<ul style="list-style-type: none"><li>• Wyreguluj nóżki, aby wypoziomować urządzenie.</li><li>• Usuń obiekty znajdujące się w pobliżu urządzenia.</li></ul>
Wewnątrz urządzenia nie jest wystarczająco zimno.	<ul style="list-style-type: none"><li>• Ustawiona temperatura jest za wysoka. Była przechowywana zbyt ciepła żywność.</li><li>• W chłodziarce umieszczono zbyt dużą ilość żywności.</li><li>• Żywność jest zbyt blisko siebie.</li><li>• Drzwi/szuflada urządzenia nie są szczelnie zamknięte.</li><li>• Drzwi/szuflad były za często otwierane lub pozostawały długo otwarte.</li></ul>	<ul style="list-style-type: none"><li>• Ponownie ustaw temperaturę.</li><li>• Zawsze schładzaj żywność przed jej włożeniem do urządzenia.</li><li>• Zawsze przechowuj małe ilości żywności.</li><li>• Pozostaw przestrzeń między produktami spożywczymi, umożliwiając przepływ powietrza.</li><li>• Zamknij drzwi/szufladę.</li><li>• Nie otwieraj drzwi/szuflad zbyt często.</li></ul>
Wnętrze urządzenia jest za zimne.	<ul style="list-style-type: none"><li>• Temperatura jest za niska. Funkcja Super-Frz/Super-Cool jest włączona lub działa zbyt długo.</li></ul>	<ul style="list-style-type: none"><li>• Ponownie ustaw temperaturę.</li><li>• Wyłącz funkcję Super-Frz/Super-Cool</li></ul>
Powstawanie wilgoci na wewnętrznych ściankach komory.	<ul style="list-style-type: none"><li>• Klimat jest zbyt ciepły i wilgotny.</li><li>• Drzwi/szuflada urządzenia nie są szczelnie zamknięte.</li><li>• Drzwi/szuflad były za często otwierane lub pozostawały długo otwarte.</li><li>• Pojemniki na żywność lub płyny są otwarte.</li></ul>	<ul style="list-style-type: none"><li>• Zwiększ temperaturę.</li><li>• Zamknij drzwi/szufladę.</li><li>• Nie otwieraj drzwi/szuflad zbyt często.</li><li>• Pozostaw gorącą żywność do ostygnięcia do temperatury pokojowej i przykryj żywność oraz płyny.</li></ul>
Wilgoć gromadzi się na zewnętrznej powierzchni chłodziarki lub między drzwiami a szufladą.	<ul style="list-style-type: none"><li>• Klimat jest zbyt ciepły i wilgotny.</li><li>• Drzwi nie są szczelnie zamknięte. Zimne powietrze w urządzeniu i ciepłe na zewnątrz skrapla się.</li></ul>	<ul style="list-style-type: none"><li>• Jest to normalne zjawisko w wilgotnym klimacie i zmieni się, gdy wilgotność spadnie.</li><li>• Upewnij się, że drzwi/szuflada są szczelnie zamknięte.</li></ul>
Nadmierny lód i szron w komorze zamrażarki.	<ul style="list-style-type: none"><li>• Artykuły spożywcze nie zostały odpowiednio zapakowane.</li><li>• Drzwi/szuflada urządzenia nie są szczelnie zamknięte.</li><li>• Drzwi/szuflad były za często otwierane lub pozostawały długo otwarte.</li><li>• Uszczelki drzwi/szuflady są brudne, zużyte, pęknięte lub niedopasowane.</li><li>• Coś w środku uniemożliwia prawidłowe zamknięcie drzwi/szuflady.</li></ul>	<ul style="list-style-type: none"><li>• Zawsze właściwie pakuj artykuły spożywcze.</li><li>• Zamknij drzwi/szufladę.</li><li>• Nie otwieraj drzwi/szuflad zbyt często.</li><li>• Wyczyść uszczelki drzwi lub wymień je na nowe.</li><li>• Ponownie umieść półki, półki na drzwi lub pojemniki wewnętrzne, aby umożliwić zamknięcie drzwi/szuflady.</li></ul>

Problem	Potencjalna przyczyna	Możliwe rozwiązanie
Boki obudowy i listwa drzwiowa nagrzewają się.	<ul style="list-style-type: none"> <li>-</li> </ul>	<ul style="list-style-type: none"> <li>To normalne.</li> </ul>
Urządzenie wydaje dziwne dźwięki.	<ul style="list-style-type: none"> <li>Urządzenie nie znajduje się na wypoziomowanym podłożu.</li> <li>Urządzenie dotyka jakiegoś przedmiotu.</li> </ul>	<ul style="list-style-type: none"> <li>Wyreguluj nóżki, aby wypoziomować urządzenie.</li> <li>Usuń obiekty znajdujące się w pobliżu urządzenia.</li> </ul>
Słychać delikatny szum podobny do płynącej wody.	<ul style="list-style-type: none"> <li>-</li> </ul>	<ul style="list-style-type: none"> <li>To normalne.</li> </ul>
Usłyszysz sygnał alarmowy.	<ul style="list-style-type: none"> <li>Drzwi komory chłodziarki są otwarte.</li> </ul>	<ul style="list-style-type: none"> <li>Zamknij drzwi.</li> </ul>
Usłyszysz słaby szum.	<ul style="list-style-type: none"> <li>Układ antykondensacyjny działa</li> </ul>	<ul style="list-style-type: none"> <li>Zapobiega to kondensacji i jest normalne</li> </ul>
Oświetlenie wnętrza lub układ chłodzenia nie działa.	<ul style="list-style-type: none"> <li>Wtyczka sieciowa nie jest podłączona do gniazdka.</li> <li>Zasilanie nie jest w dobrym stanie.</li> <li>Lampa LED nie działa.</li> </ul>	<ul style="list-style-type: none"> <li>Podłącz wtyczkę sieciową.</li> <li>Sprawdź zasilanie elektryczne w pomieszczeniu. Skontaktuj się z lokalnym dostawcą energii elektrycznej!</li> <li>Wezwij serwis w celu wymiany lampki.</li> </ul>
Z rynienki dozownika wody cieknie lub kapie woda.	<ul style="list-style-type: none"> <li>Zbiornik na wodę nie jest prawidłowo zainstalowany</li> <li>Rynienka dystrybutora wody nie jest mocno przykręcona do zbiornika.</li> <li>W rynience dystrybutora wody brakuje białego silikonowego pierścienia O-ring.</li> </ul>	<ul style="list-style-type: none"> <li>Zamontuj ponownie zbiornik na wodę w drzwiach chłodziarki, upewnij się, że jest on całkowicie wciśnięty w drzwi.</li> <li>Rynienka jest mocno przykręcona do zbiornika wody.</li> <li>Sprawdź, czy rynienka wody ma biały silikonowy pierścień O-ring na końcu zbiornika przed jej przymocowaniem do zbiornika na wodę.</li> </ul>



Aby skontaktować się z pomocą techniczną, odwiedź naszą stronę internetową:  
<https://corporate.haier-europe.com/en/>

W sekcji „Strona internetowa” wybierz markę swojego produktu i kraj. Zostaniesz przekierowany/a na konkretną stronę internetową, na której znajdziesz numer telefonu i formularz do kontaktu z pomocą techniczną.

### Przerwa w zasilaniu

W przypadku przerwy w dostawie prądu żywność powinna zachować bezpieczną temperaturę przez około 5 godzin. Podczas dłuższej przerwy w dostawie prądu, zwłaszcza latem, należy stosować się do poniższych wskazówek:

- ▶ Unikaj częstego otwierania drzwi/szuflady.
- ▶ Nie wkładaj do urządzenia dodatkowej żywności podczas przerwy w dostawie prądu.
- ▶ Jeśli przerwa w dostawie prądu została zgłoszona z wyprzedzeniem i trwa dłużej niż 5 godzin, należy przygotować trochę lodu i umieścić go w pojemniku w górnej części komory chłodziarki.
- ▶ Kontrola towaru jest wymagana niezwłocznie po przerwie.
- ▶ Ponieważ temperatura w chłodziarce wzrośnie podczas przerwy w zasilaniu lub innej awarii, okres przechowywania i jadalna jakość żywności ulegną skróceniu. Każda żywność, która się rozmraża, powinna zostać spożyta lub ugotowana i ponownie zamrożona (w stosownych przypadkach) wkrótce po tym, aby zapobiec zagrożeniom dla zdrowia.



### **UWAGA: Funkcja pamięci podczas przerwy**

#### **w zasilaniu**

Po przywróceniu zasilania urządzenie kontynuuje ustawienia ustawione przed awarią zasilania.

## Rozpakowanie

### OSTRZEŻENIE!

- ▶ Urządzenie jest ciężkie. Prace powinny być wykonywane przez co najmniej dwie osoby.
- ▶ Wszystkie materiały opakowaniowe należy przechowywać poza zasięgiem dzieci i utylizować w sposób przyjazny dla środowiska.
- ▶ Wyjmij urządzenie z opakowania.
- ▶ Usuń całe opakowanie.

### Warunki środowiskowe

Temperatura w pomieszczeniu powinna zawsze wynosić od 10 °C do 43 °C, ponieważ może wpływać na temperaturę wewnątrz urządzenia i zużycie energii. Nie ustawiaj urządzenia w pobliżu innych urządzeń bez izolacji emitujących ciepło (piekarniki, chłodziarki).

- Rozszerzony zakres temperatur (SN): To urządzenie chłodnicze przeznaczone jest do użytkowania w temperaturze otoczenia od 10°C do 32°C;
- Strefa umiarkowana (N): To urządzenie chłodnicze przeznaczone jest do użytkowania w temperaturze otoczenia od 16 °C do 32 °C;
- Strefa subtropikalna (ST): To urządzenie chłodnicze przeznaczone jest do użytkowania w temperaturze otoczenia od 16°C do 38°C;

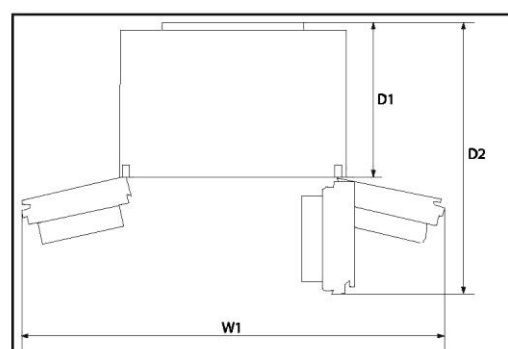
### Wymagana przestrzeń

Wymagana przestrzeń przy otwarciu drzwi:

W1 = 157,8 cm

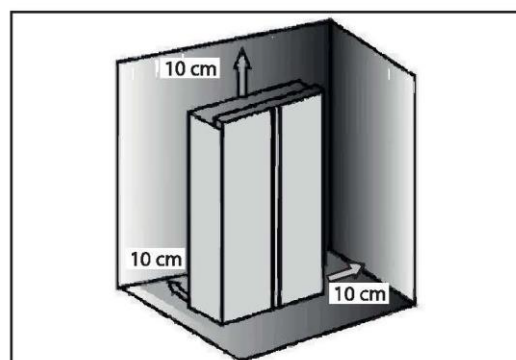
D1=62,9 cm

D2=117,5cm



### Przekrój wentylatora

Aby zapewnić wystarczającą wentylację urządzenia ze względów bezpieczeństwa, należy przestrzegać informacji o wymaganych przekrojach wentylacji.

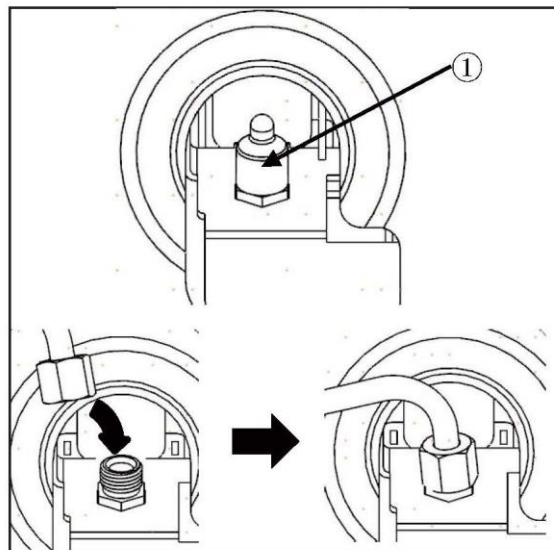


### UWAGA

Dotyczy urządzenia wolnostojącego: To urządzenie chłodnicze nie jest przeznaczone do zabudowy.

## Podłączanie wody do urządzenia

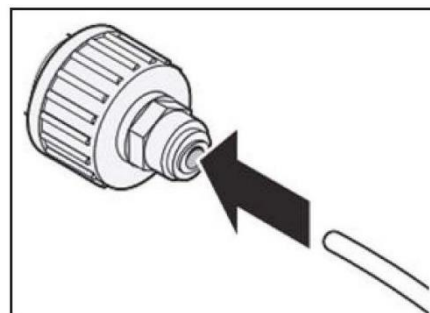
1. Zdejmij gumową zatyczkę (1) z zaworu wlotowego wody.
2. Mocno wciśnij przewód doprowadzający wodę do zaworu wlotowego wody i dokręć nakrętkę kołnierzową. Ten przewód wodny musi zostać przecięty w połowie i wykorzystany, a pozostały fragment stanowi część zamienną.



## Podłączanie do kranu

Ta funkcja jest dostępna tylko w niektórych modelach.

1. Włóż przewód wody do otworu przyłącza kranowego dostarczonego z akcesoriami. Przewód należy mocno trzymać podczas wciskania do przyłącza.
  2. Upewnij się, że gumowa podkładka jest zamontowana wewnątrz przyłącza kranowego przed przykręceniem go do kranu.
- ▶ Konieczne może się okazać zakupienie oddzielnego złącza lub adaptera, jeśli złącze kranu nie pasuje do rozmiaru gwintu dostarczonego złącza.



## Sprawdzanie podłączenia wody

Ta funkcja jest dostępna tylko w niektórych modelach.

- ▶ Odkręć dopływ wody i włącz urządzenie. Dokładnie sprawdź wszystkie złączki pod kątem ewentualnych wycieków z powodu źle zamocowanych węży.
- ▶ Naciśnij i przytrzymaj przycisk 3Sec. Filter Reset przez trzy sekundy. Nowy filtr wody został aktywowany.
- ▶ Umieść filiżankę pod dozownikiem wody, aby sprawdzić, czy woda przepływa przez urządzenie.
- ▶ Ponownie sprawdź przewód łączący i złącza pod kątem wycieków.





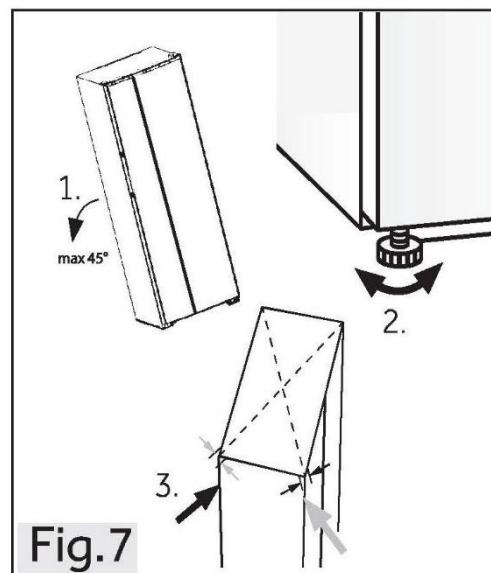
## OSTRZEŻENIE!

- ▶ Upewnij się, że połączenia są zawsze mocne, suche i szczelne.
- ▶ Upewnij się, że wał nigdy nie jest zgnieciony, zagięty ani skręcony.

### Ustawianie urządzenia

Urządzenie powinno być umieszczone na płaskiej i stabilnej powierzchni.

1. Przechylił urządzenie lekko do tyłu (rys. 7).
2. Ustaw nóżki na żądanym poziomie. Upewnij się, że odległość od ściany po bokach zawiasów wynosi co najmniej 10 cm.
3. Stabilność można sprawdzić, popychając urządzenie naprzemiennie w linii przekątnych. Lekkie kołysanie powinno być takie same w obu kierunkach. W przeciwnym razie rama może się wykrzywić; w rezultacie może dojść do rozszczelnienia drzwi. Niewielki przechył do tyłu pomaga przy zamykaniu drzwi.

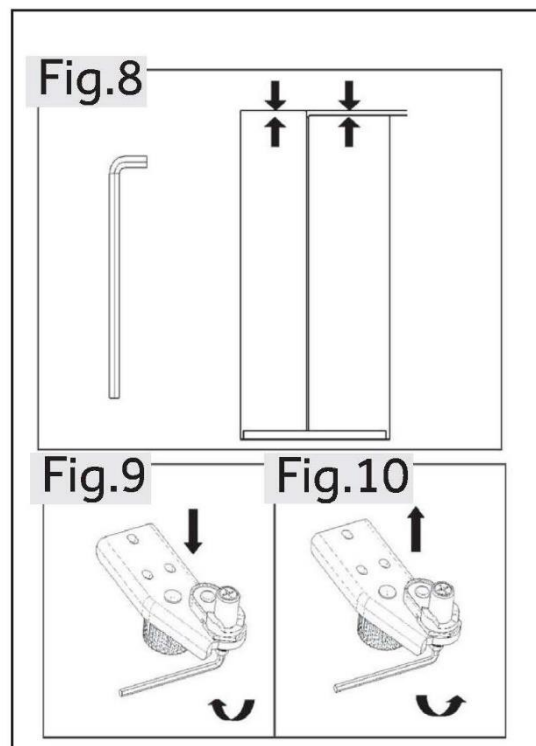


### Regulowanie drzwi

Jeśli po wyrównaniu drzwi za pomocą nóżek drzwi nadal nie znajdują się na jednym poziomie, można temu zaradzić, obracając kluczem wałek podnoszenia zawiasu w prawym dolnym rogu drzwi chłodniczych (rys. 8)

Obróć kluczem wał podnoszący zgodnie z ruchem wskazówek zegara, aby obniżyć wysokość drzwi (rys. 9).

Wał podnoszący należy obrócić kluczem na wysokość drzwi (rys. 10).

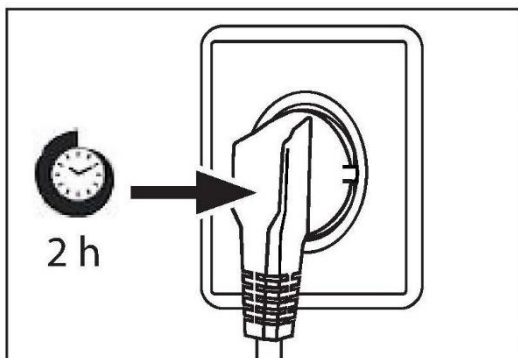






## OSTRZEŻENIE!

Nie reguluj nadmiernie wałka podnoszenia zawiasu na wysokość, która mogłaby spowodować opuszczenie pierwotnej pozycji zablokowanej. (Zakres regulacji wysokości: 3 mm)



### Czas oczekiwania

W zbiorniku sprężarki znajduje się olej bezobsługowy. Olej ten może przedostać się poprzez zamknięty system rur podczas transportu w pozycji przechylonej. Przed podłączeniem urządzenia do zasilania trzeba odczekać co najmniej 2 godziny, aby olej spłynął z powrotem do zbiornika.

### Podłączenie do prądu

#### Przed każdym podłączeniem sprawdź, czy:

- ▶ zasilacz, gniazdo i bezpieczniki odpowiadają parametrom podanym na tabliczce znamionowej.
- ▶ gniazdko jest uziemione i nie zastosowano rozgałęźnika lub przedłużacza.
- ▶ wtyczka i gniazdko są ściśle zgodne.

Podłącz wtyczkę do prawidłowo zainstalowanego gniazdka domowego.



## OSTRZEŻENIE!

Aby uniknąć ryzyka, uszkodzony przewód zasilający musi zostać wymieniony przez serwis (zob. karta gwarancyjna).

### Demontaż i montaż drzwi

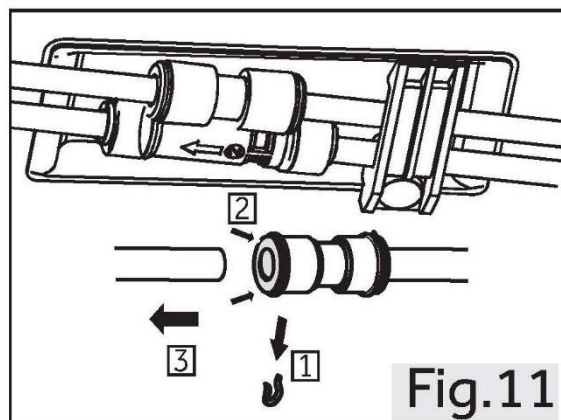
W przypadku konieczności zdjęcia drzwi urządzenia należy postępować zgodnie z poniższymi instrukcjami demontażu i montażu drzwi.



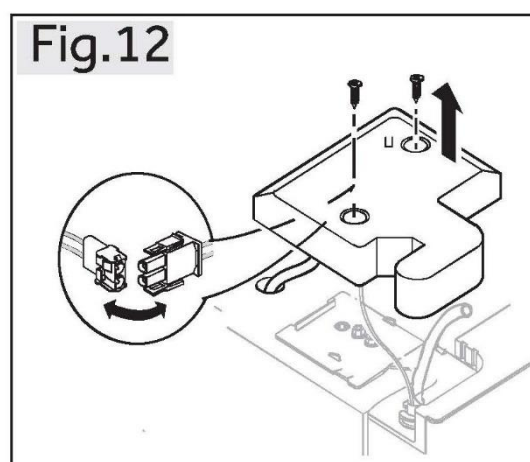
## OSTRZEŻENIE!

- ▶ Przed jakąkolwiek czynnością wyłącz urządzenie i wyjmij wtyczkę z gniazdka sieciowego.
- ▶ Zablokuj główny zawór wody.
- ▶ Urządzenie jest ciężkie. Prace powinny być wykonywane przez co najmniej dwie osoby.
- ▶ Nie przechylaj urządzenia pod kątem większym niż 45° ani nie stawiaj go poziomo na ziemi.
- ▶ Drzwi mogą się przewrócić i zranić ludzi lub ulec uszkodzeniu podczas wykonywania tych czynności, należy zachować większą ostrożność podczas zdejmowania i instalowania drzwi.

1. Zwolnij lewą stronę dwóch złączy wodnych w lewym przednim rogu na dole urządzenia: naciśnij i przytrzymaj kołnierz, jak pokazano, i wyjmij rurę wodną. (rys. 11).



2. Odkręć śrubę osłony zawiasów i zdejmij osłonę (rys. 12). Podczas zdejmowania drzwi zamrażarki odłącz wszystkie przewody z wyjątkiem przewodu uziemiającego.

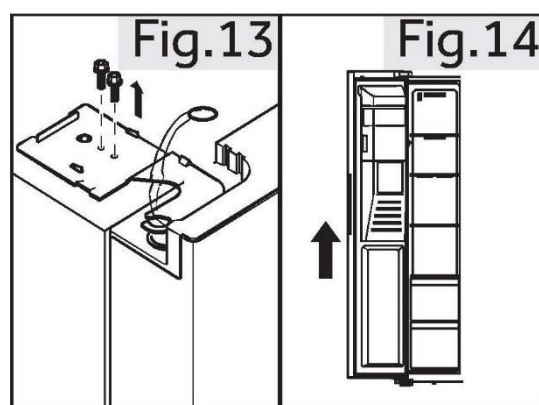


3. Odkręć śruby mocujące górny zawias, a następnie zdejmij zawias (rys. 13).

4. Podnieś drzwi, aby je wyjąć (rys. 14). Zdejmując drzwi zamrażarki, podnieś je na tyle wysoko, aby wyciągnąć przyłączy wody z dolnej części urządzenia.

5. Zamontuj ponownie drzwi, wykonując czynności demontażowe w odwrotnej kolejności. Upewnij się, że kabel uziemiający zostanie zamocowany za pomocą śruby.

6. Ponownie zamontować przyłączy wody.




## UWAGA: Drzwi chłodziarki

Zdjęcia przedstawiają demontaż drzwi komory zamrażarki. W przypadku drzwi chłodziarki użyj odpowiednich części po drugiej stronie.



Karta produktu zgodnie z rozporządzeniem UE nr 2019/2016

Marka	Haier
Nazwa modelu / identyfikator	HSW59F18DIMM HSW79F18DIPT
Kategoria modelu	Chłodziarko-zamrażarka
Klasa efektywności energetycznej	D
Roczne zużycie energii (kWh/rok) <sup>(1)</sup>	267
Całkowita pojemność (l)	601
Pojemność chłodziarki (L)	391
Pojemność zamrażarki (L)	206
Pojemnik na lód (2 gwiazdki) (L)	4
Oznakowanie gwiazdkami	
Temperatura pozostałych komór > 14°C	Nie dotyczy
System bez szronu	Tak
Wydajność zamrażania (kg/24h)	10
Klasyfikacja klimatyczna <sup>(2)</sup>	SN-N-ST
Klasa emisji hałasu i emisja hałasu akustycznego w powietrzu (db(A) re 1pW)	C(36)
Czas wzrostu temperatury (h)	5
Wydajność wytwarzania lodu	0,8 kg/24h
Rodzaj konstrukcji	wolnostojąca

Objaśnienie:

- Tak, wyróżnione

(1) Na podstawie wyników badania zgodności norm w ciągu 24 godzin. Rzeczywiste zużycie zależy od użytkownika i lokalizacji urządzenia.

(2) Klasa klimatyczna SN: To urządzenie jest przeznaczone do użytku w temperaturze otoczenia od +10°C do +32°C

Klasa klimatyczna N: To urządzenie jest przeznaczone do użytku w temperaturze otoczenia od +16°C do +32°C

Klasa klimatyczna ST: To urządzenie jest przeznaczone do użytku w temperaturze otoczenia od +16°C do +38°C

### Dodatkowe dane techniczne

Napięcie / Częstotliwość	220-240V ~/50Hz
Natężenie wejściowe (A)	1,8
Moc wejściowa rozmrażania (W)	220
Bezpiecznik główny (A)	15
Płyn chłodzący	R600a
Wymiary (wys./szer./gł. w mm)	1775/905/726



Polecamy nasz system Obsługi Klienta Haier i stosowanie oryginalnych części zamiennych. Jeśli masz problem z urządzeniem, najpierw sprawdź sekcję ROZWIĄZYWANIE PROBLEMÓW.

Jeżeli nie możesz znaleźć rozwiązania, prosimy o

- ▶ kontakt z lokalnym sprzedawcą lub
- ▶ naszym Europejskim Centrum Obsługi Klienta (zob. poniżej wymienione numery telefonów) lub
- ▶ obszarem serwisu i wsparcia na stronie [www.haier.com](http://www.haier.com), gdzie można aktywować zgłoszenie
- ▶ serwisowe i znaleźć odpowiedzi na najczęściej zadawane pytania.

Zanim skontaktujesz się z naszym działem obsługi, upewnij się, że masz następujące dane. Informacje można znaleźć na tabliczce znamionowej.

Model \_\_\_\_\_

Nr seryjny \_\_\_\_\_

Sprawdź także kartę gwarancyjną dostarczoną z produktem.

Europejskie Centrum Obsługi Klienta		
Kraj*	Numer telefonu	Koszty
Haier Italy (IT)	199 100912	
Haier Spain (ES)	902 509 123	
Haier Germany (DE)	0180539 39 99	<ul style="list-style-type: none"><li>• 14 centów/min. telefon stacjonarny</li><li>• maks. 42 centów/min. telefon komórkowy</li></ul>
Haier Austria (AT)	0820 001 205	<ul style="list-style-type: none"><li>• 14,53 centów/min. telefon stacjonarny</li><li>• maks. 20 centów/min. wszystkie pozostałe</li></ul>
Haier United Kingdom (UK)	0333 003 8122	
Haier France (FR)	0980 406 409	



\* Numery innych krajów można znaleźć na stronie [www.haier.com](http://www.haier.com)

Haier Europe Trading S.r.l

Oddział Wielka Brytania

Westgate House, Westgate, Ealing

Londyn, W5 1YY

\*Okres gwarancji na urządzenie chłodnicze:

Minimalna gwarancja wynosi: 2 lata dla krajów UE, 3 lata dla Turcji, 1 rok dla Wielkiej Brytanii, 1 rok dla Rosji, 3 lata dla Szwecji, 2 lata dla Serbii, 5 lat dla Norwegii, 1 rok dla Maroka, 6 miesięcy dla Algierii, w Tunezji nie jest wymagana gwarancja prawna.

\*Okres dla części zamiennych do naprawy urządzenia:

Termostaty, czujniki temperatury, płytki drukowane i źródła światła są dostępne przez okres co najmniej siedem lat od wprowadzenia na rynek ostatniego egzemplarza modelu. Klamki, zawiasy drzwi, tace i kosze przez co najmniej siedem lat, a uszczelki drzwi przez co najmniej 10 lat od wprowadzenia na rynek ostatniego egzemplarza modelu.

\*Aby uzyskać więcej informacji o produkcie, odwiedź stronę internetową

<https://eprel.ec.europa.eu/> lub zeskanuj kod QR na etykiecie wydajności energetycznej dołączonej do urządzenia.



## Indhold

---

Sikkerhedsoplysninger .....	314
Anvendelsesformål .....	319
Produktbeskrivelse .....	320
Betjeningspanel .....	321
Brug .....	322
Udstyr .....	335
Pleje og rengøring .....	337
Fejlfinding .....	342
Installation .....	346
Tekniske data .....	351
Kundeservice .....	353



## Tak, fordi du har købt et Haier-produkt.

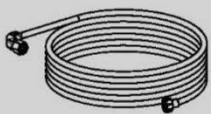
Læs disse anvisninger nøje, før dette apparat anvendes. Instruktionerne indeholder vigtig information, som vil hjælpe dig med at få det bedste ud af apparatet og sikre sikker og korrekt installation, brug og vedligeholdelse.

Opbevar denne vejledning et bekvemt sted, så du altid kan se den for sikker og korrekt brug af apparatet.

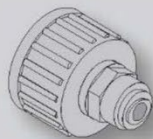
Hvis du sælger apparatet, giver det væk eller efterlader det, når du flytter, skal du sørge for også at videregive denne manual, så den nye ejer kan blive fortrolig med apparatet og sikkerhedsadvarsler.

## Tilbehør

Tjek tilbehøret og dokumentationen i henhold til denne liste:



\*Vandrør



\*Vandtilslutning



Energimærke



Garantikort



Hurtig guide





## ADVARSEL – Vigtige sikkerhedsoplysninger



## BEMÆRK - Generel information og tip



## Miljøoplysninger



### Bortskaffelse

Hjælp med at beskytte miljøet og menneskers sundhed. Læg emballagen i passende beholdere for at genbruge den. Hjælp med at genbruge affald fra elektriske og elektroniske apparater. Bortskaf ikke apparater mærket med dette symbol sammen med husholdningsaffaldet. Returner produktet til din lokale genbrugsstation eller kontakt dit kommunale kontor.



## ADVARSEL!

Risiko for personskade eller kvælning!

Kølemidler og gasser skal bortskaffes professionelt. Sørg for, at kølemiddelkredsens rør ikke er beskadiget, før apparatet bortskaffes korrekt. Afbryd apparatet fra lysnettet. Skær lysnetkablet af og bortskaf det. Fjern bakker og skuffer samt dørlås og tætninger for at forhindre børn og kæledyr i at blive lukket i apparatet.

## Inden du tænder for apparatet første gang, skal du læse følgende sikkerhedsanvisninger!:



### ADVARSEL!

#### Før første brug

- ▶ Kontrollér, at der ikke er transportskader.
- ▶ Fjern al emballage og opbevar den uden for børns rækkevidde.
- ▶ Vent mindst to timer, før du installerer apparatet for at sikre, at kølemiddelkredsløbet er fuldt effektivt.
- ▶ Vær altid to personer om at håndtere apparatet, da det er tungt.

#### Installation

- ▶ Apparatet skal placeres på et godt ventileret sted. Sørg for en afstand på mindst 10 cm over og omkring apparatet.
- ▶ Anbring aldrig apparatet i et fugtigt område eller et sted, hvor det kan blive sprøjtet til med vand. Rens og aftør vandsprøjt og pletter med en blød ren klud.
- ▶ Installer ikke apparatet i direkte sollys eller i nærheden af varmekilder (f.eks. komfurer eller varmeapparater).
- ▶ Installer og niveller apparatet på et område, der er egnet til dets størrelse og brug.
- ▶ Hold ventilationsåbninger i apparatets kabinet eller de indbyggede komponenter fri for blokeringer.
- ▶ Kontroller, at de elektriske oplysninger på mærkepladen passer til strømforsyningen. Hvis ikke skal du kontakte en elektriker.
- ▶ Apparatet drives fra et lysnet på 220-240 VAC/50 Hz. Unormale spændingsafvigelser kan gøre, at apparatet ikke starter, eller det tager skade på temperaturstyringen eller kompressoren eller afgiver unormale lyde under drift. I sådanne tilfælde skal der monteres en automatisk regulator.
- ▶ Brug ikke forgrenere og forlængerkabler.
- ▶ Placér ikke flere løse forgrenerledninger eller bærbare strømforsyninger bag ved apparatet.
- ▶ Sørg for, at strømkablet ikke er fanget af køleskabet. Træd ikke på strømkablet.



## ADVARSEL!

- ▶ Brug en separat jordet stikkontakt til strømforsyningen, som er let tilgængelig. Apparatet skal være jordet.  
Kun til Storbritannien: Apparatets lysnetledning er monteret med et stik til 3 ledninger (med jord), der passer til et standard 3-ledet stik (med jord). Det tredje ben (jordforbindelsen) må aldrig klippes af. Når apparatet er installeret, skal stikket være let at komme til.
- ▶ Kølemiddelkredsen må ikke beskadiges.

### Daglig brug

- ▶ Dette apparat kan anvendes af børn fra en alder på 8 år og af personer med nedsatte fysiske, sensoriske eller mentale evner eller med en manglende erfaring og viden, forudsat at de er under opsyn eller har modtaget vejledning i sikker brug af apparatet, samt at de forstår de farer, der er forbundet dermed.
- ▶ Børn i alderen fra 3 til 8 år har lov til at læsse og losse, men må ikke rengøre eller installere køleapparaterne.
- ▶ Hold børn under 3 år væk fra apparatet, medmindre de er under konstant opsyn.
- ▶ Børn må ikke lege med apparatet.
- ▶ Hvis kølegas eller anden brændbar gas siver ud i nærheden af apparatet, skal du slukke for ventilen til den utætte gas, åbne døre og vinduer og ikke tage stikket ud af strømkablet til køleskabet eller noget andet apparat.
- ▶ Bemærk, at apparatet er indstillet til drift ved et specifikt omgivelserområde mellem 10 og 38° C. Apparatet fungerer muligvis ikke korrekt, hvis det efterlades i længere tid ved en temperatur over eller under det angivne område.
- ▶ Undlad at placere ustabile varer (tunge genstande, beholdere med vand) oven på køleskabet for at undgå personskader som følge af fald eller elektrisk stød, som skyldes kontakt med vand.
- ▶ Træk ikke i dørhylde. Døren kan trækkes skæv, flaskeholderen kan trækkes væk, eller apparatet kan vælte.
- ▶ Åbn og luk kun dørene med håndtagene. Mellemlummet mellem dørene og mellem dørene og skabet er meget snævert. Ræk ikke hænderne i disse områder for at undgå at klemme fingrene. Åbn eller luk kun køleskabsdørene, når der ikke er børn inden for dørens bevægelsesområde.



### ADVARSEL!

- ▶ Opbevar eller brug ikke brændbare, eksplosive eller ætsende materialer i apparatet eller i nærheden.
- ▶ Undlad at opbevare medicin, bakterier eller kemikalier i apparatet. Dette apparat er et husholdningsapparat. Det frarådes at opbevare materialer, der kræver nøjagtige temperaturer.
- ▶ Opbevar aldrig væsker i flasker eller dåser (bortset fra høj procent spiritus), især kulsyreholdige drikkevarer i fryseren, da disse vil sprænges under frysning.
- ▶ Kontroller madens tilstand, hvis der har fundet en temperaturstigning sted i fryseren.
- ▶ Indstil ikke til unødigt lav temperatur i kølerummet. Minustemperaturer kan forekomme ved høje indstillinger. OBS: Flasker kan sprænges
- ▶ Rør ikke ved frostvarer med våde hænder (brug handsker). Spis især ikke ispinde umiddelbart efter at de er taget ud af fryseren. Der er risiko for forfrysning eller dannelse af frostblærer. FØRSTEHJÆLP: Hold straks skaden under rindende koldt vand. Træk den ikke væk!
- ▶ Rør ikke ved den indvendige overflade af fryserens opbevaringsrum, når den er i brug, især med våde hænder, da dine hænder kan fryse fast på overfladen.
- ▶ Tag stikket ud af stikkontakten i tilfælde af strømafbrydelse eller før rengøring. Lad der gå mindst 7 minutter, før køleskabet/fryseren startes igen, da hyppige starter kan beskadige kompressoren.
- ▶ Brug ikke elektriske apparater inde i madopbevaringsrummet, medmindre de er af en type, som producenten anbefaler. Vedligeholdelse/rengøring
- ▶ Sørg for, at børn er under opsyn, hvis de udfører rengøring og vedligeholdelse.
- ▶ Afbryd apparatet fra strømforsyningen, før der udføres rutinemæssig vedligeholdelse. Lad der gå mindst 5 minutter, før køleskabet/fryseren startes igen, da hyppige starter kan beskadige kompressoren.



## ADVARSEL!

- ▶ Hold i stikket, ikke i kablet, når apparatet trækkes ud.
- ▶ Rengør ikke apparatet med hårde børster, stålbørster, vaskepulver, benzin, amylacetat, acetone og lignende organiske opløsninger, sure eller alkaliske opløsninger. Rengør med specielt køleskabsrengøringsmiddel for at undgå skader.
- ▶ Skrab ikke frost og is af med skarpe genstande. Brug ikke spray, elektriske varmeapparater som varmelegeme, hårtørrer, damprensere eller andre varmekilder for at undgå beskadigelse af plastikdelene.
- ▶ Brug ikke andre mekaniske enheder eller andre metoder til at fremme afrimningsprocessen end de af producenten anbefalede.
- ▶ Hvis lysnetledningen er beskadiget, skal den udskiftes af producenten, dennes service-agent eller en lignende kvalificeret fagperson for at undgå fare.
- ▶ Forsøg ikke selv at reparere, adskille eller ændre apparatet. Kontakt vores kundeservice ved behov for reparation.
- ▶ Fjern støvet på bagsiden af enheden mindst én gang om året for at undgå brandfare samt øget energiforbrug.
- ▶ Undlad at sprøjte eller skylle apparatet under rengøring.
- ▶ Brug ikke vandspray eller damp til at rengøre apparatet.
- ▶ Undlad at rense de kolde glashylder i varmt vand. Pludselige temperaturændringer kan få glasset til at knække.

## Information om kølemiddelgas



## ADVARSEL!

Apparatet indeholder det brændbare kølemiddel ISOBUTAN (R600a). Sørg for, at kølemiddelkredsen ikke er beskadiget under transport eller installation. Lækkende kølemiddel kan forårsage øjenskader eller antænde. Hvis der er opstået en skade, skal du holde åbne brandkilder væk, ventilere rummet grundigt, ikke tilslutte eller frakoble apparatets eller andre apparaters netledninger. Informer kundeservice.

Hvis øjnene kommer i kontakt med kølemidlet, skylles det straks under rindende vand og øjenlægen kontaktes straks.



### Anvendelsesformål

Dette apparat er beregnet til køling og frysning af fødevarer. Det er udelukkende beregnet til brug i husholdninger og lignende formål såsom personalekøkkenområder i butikker, kontorer og andre arbejdsmiljøer: gårdhuse og af kunder på hoteller, moteller og andre boligmiljøer samt i bed-and-breakfast og cateringvirksomhed. Det er ikke beregnet til kommerciel eller industriel brug.

Ændringer eller modifikationer af enheden er ikke tilladt. Utilsigtet brug kan forårsage farer og tab af garantikrav.

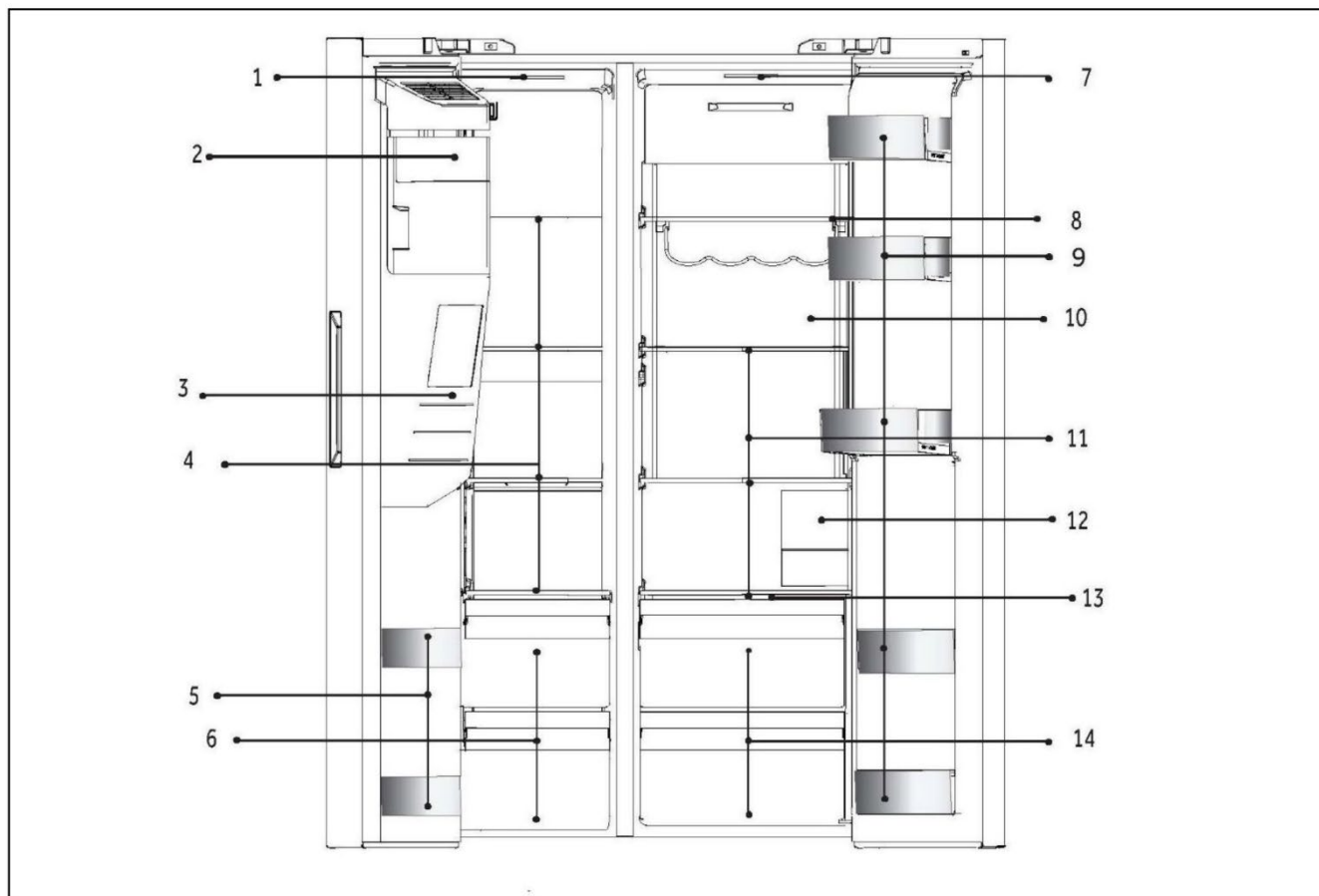
### Standard og direktiv og

Dette produkt opfylder kravene i alle gældende EU-direktiver med de tilsvarende harmoniserede standarder, som gælder for CE- og UKCA-mærkning.



## Bemærk

På grund af tekniske ændringer og forskellige modeller kan nogle af illustrationerne i denne vejledning afvige fra din model.



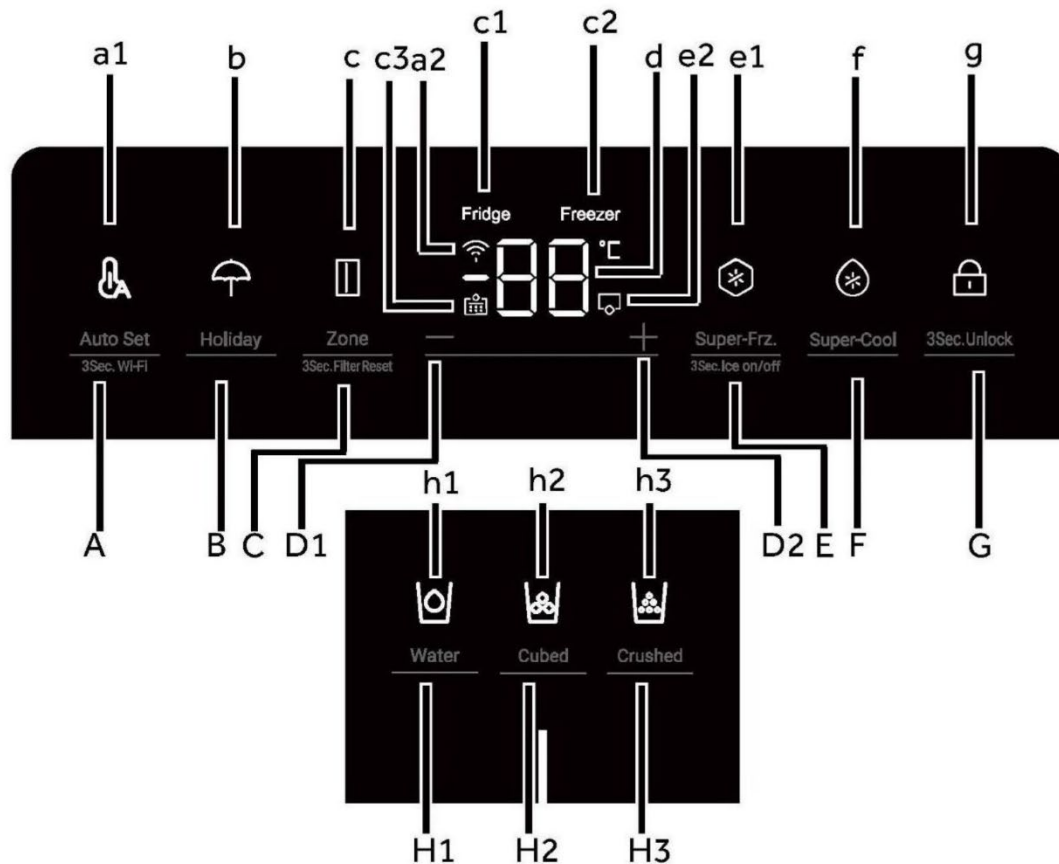
### A: Fryserum

- 1 Loftslampe
- 2 Ismaskine med isbeholder
- 3 Vand- og isdispenser
- 4 Glashylder
- 5 Flaskeholder
- 6 Skuffer

### B: Køleskabsrum

- 7 Loftslampe
- 8 Vinreol
- 9 Flaskeholder
- 10 Lampe på bagbeklædning (HSW79F18DIPT)
- 11 Glashylder
- 12 Vandfilter
- 13 Dækplade til vådzone
- 14 Skuffer

## Betjeningspanel



Taster:

- A Auto Set-funktion/3Sec.Wi-Fi
- B Holiday-funktion
- C Zonevalg/3Sec.Filter Reset
- D1 Temperaturjusteringsknap "-"
- D2 Temperaturjusteringsknap "+"
- E Super-Freeze funktion/3Sec. Ice on/off
- F Super-Cool-funktion
- G Panellåsvælger
- H1 Vandindtag-funktionsvælger
- H2 Isterning-funktionsvælger
- H3 Knust is-funktionsvælger

Indikatorer:

- a1 Auto Set-tilstand
- a2 Wi-Fi-funktion
- b Holiday-tilstand
- c Zoneindikator
- c1 Køleskabsindikator
- c2 Fryserindikator
- c3 Filtrenulstillingsfunktion
- d Temperaturvisning
- e1 Super-Freeze-tilstand
- e2 Ismaskine-tilstand
- f Super-Cool-tilstand
- g Panellås
- h1 Vandindtagsfunktion
- h2 Isterning-funktion
- h3 Knust is-funktion



## Før første brug

- ▶ Fjern alle emballagematerialer, opbevar dem uden for børns rækkevidde, og bortskaf dem miljøvenligt.
- ▶ Rengør indersiden og ydersiden af apparatet med vand og et mildt rengøringsmiddel, før du sætter mad i det.
- ▶ Når apparatet er blevet nivelleret og rengjort, skal du vente i mindst 2-5 timer, før du tilslutter det til strømforsyningen. Se afsnittet INSTALLATION.
- ▶ Forafkøl rummene ved høje indstillinger, før de fyldes med mad. Funktionen Power-Freeze hjælper med at køle rummene hurtigt ned.
- ▶ Køleskabstemperaturen og frysertemperaturen indstilles automatisk til henholdsvis 5°C og -18°C. Dette er de anbefalede indstillinger. Hvis det ønskes, kan disse temperaturer ændres manuelt. Se JUSTER TEMPERATUREN.

## Sensortaster

Knapperne på betjeningspanelet er sensortaster, som allerede reagerer ved let berøring med fingeren.

## Tænd/sluk apparatet

Apparatet er i drift, så snart det er tilsluttet strømforsyningen.

De viste temperaturer vil vise de indstillede temperaturer i rummet.

Måske er panellåsen aktiv.



### Bemærk

Når apparatet tændes efter afbrydelse af strømforsyningen, kan det tage op til 12 timer, før de korrekte temperaturer er nået.

Tøm apparatet, før det slukkes. For at slukke for apparatet skal du trække netledningen ud af stikkontakten.

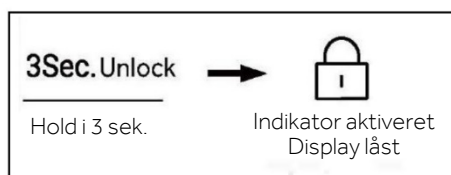


### BEMÆRK

Når køleskabet tændes første gang, lyser indikatoren. Køleskabstemperaturen og frysertemperaturen indstilles automatisk til henholdsvis 5° C og -18° C.

## Lås/oplås panel

1. Automatisk lås: Når køleskabsdøren, fryserdøren er lukket, og der ikke er nogen nøglebetjening inden for 30 sekunder, slukkes og låses skærmen automatisk



2. Manuel lås: Når displayet er låst op, trykkes på knappen "G", og den holdes nede i 3 sekunder, summeren ringer én gang, indikatoren "g" (panellås) lyser, og displayet er låst.



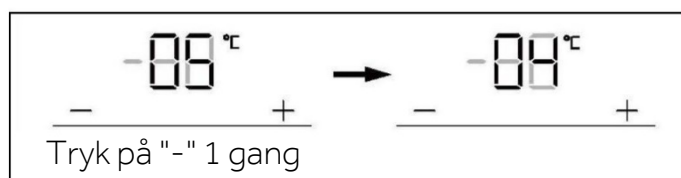
## Juster temperaturen

Temperaturerne i apparatet påvirkes af følgende faktorer:

- ▶ Omgivelsestemperatur
- ▶ Hyppighed af døråbning
- ▶ Mængden af opbevarede fødevarer
- ▶ Installation af apparatet

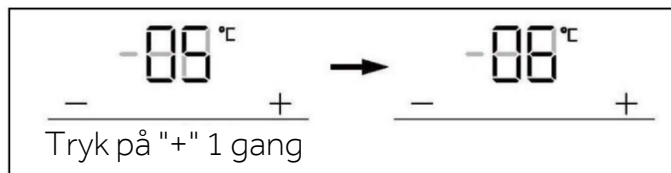
## Juster temperaturen for køleskabet

1. Når displayet er låst op, skal du trykke på knappen "C" (Zonevælger). Summeren ringer én gang, indikatoren "c1" (køleskabsindikator) blinker, og her kommer køleskabets temperaturindstillingstilstand.
2. Tryk på knappen "D1" (Temperaturjusteringsknap "-"). Hver gang, summeren ringer én gang, reduceres den indstillede temperatur i køleskabet med 1. Køleskabets temperatur vises i sekvensen "9° C -> 8° C -> 7° C -> 6° C -> 5° C -> 4° C -> 3° C -> 2° C -> 1° C".



### Juster temperaturen for køleskabet

3. Tryk på knappen "D2" (Temperaturjusteringsknop "+"). Hver gang, summeren ringer én gang, øges den indstillede temperatur i køleskabet med 1. Køleskabets temperatur vises i sekvensen "1° C -> 2° C -> 3° C -> 4° C -> 5° C -> 6° C -> 7° C -> 8° C -> 9° C".

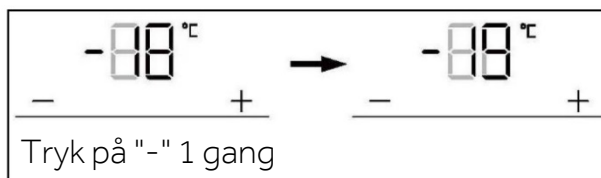


### Bemærk

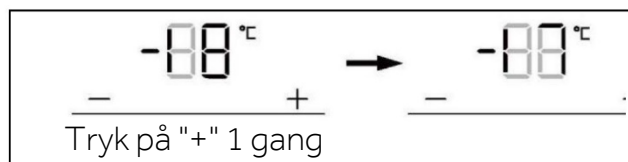
Hvis der ikke er nogen drift inden for 5 sekunder efter indstilling af temperaturen, vil systemet automatisk blive bestemt og gemme den indstillede temperatur.

### Juster temperaturen på fryseren

- Når displayet er låst op, skal du trykke på knappen "C" (Zonevælger). Summeren ringer én gang, indikatoren "c2" (Fryser-indikator) blinker, og derefter kommer fryserens temperaturindstillingstilstand her.
- Tryk på knappen "D1" (Temperaturjusteringsknop "-"). Hver gang, summeren ringer én gang, sænkes fryserens indstillede temperatur med 1. Fryserens temperatur vises i sekvensen "-14° C > -15° C > -16° C > -17° C > -18° C > -19° C > -20° C > -21° C > -22° C > -23° C > -24° C".



- Tryk på knappen "D2" (Temperaturjusteringsknop "+"). Hver gang, summeren ringer én gang, forhøjes fryserens indstillede temperatur med 1. Fryserens temperatur vises i sekvensen "-24° C > -23° C > -22° C > -21° C > -20° C > -19° C > -18° C > -17° C > -16° C > -15° C > -14° C".

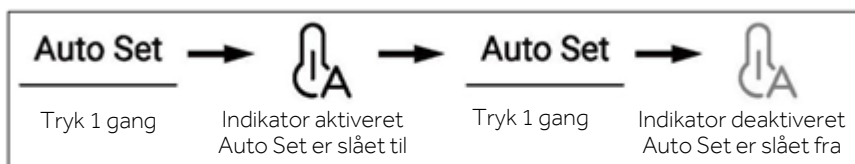


### Bemærk

Hvis der ikke er nogen drift inden for 5 sekunder efter indstilling af temperaturen, vil systemet automatisk blive bestemt og gemme den indstillede temperatur.

## Auto Set-tilstand

1. Når displayet er låst op, skal du trykke på knappen "A" (Auto Set-tilstandsvælger), summeren ringer én gang, indikatoren "a1" (Auto Set-tilstand) lyser, og derefter aktiveres Auto Set-tilstandsvælger.
2. Når indikatoren "a1" (Auto Set-tilstand) lyser, skal du trykke på knappen "A" (Auto Set-tilstandsvælger), summeren lyder én gang, indikatoren "a1" (Auto Set-tilstand) slukker, og derefter bliver Auto Set-tilstand slået fra



## Bemærk

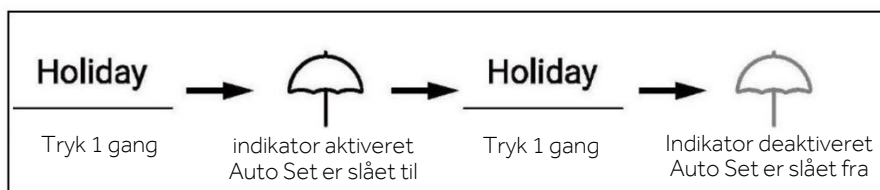
I Auto Set-tilstand kan køleskabs- eller frysetemperaturen ikke justeres. Hvis enten knap "D1" (temperaturjusteringsknap "-") eller knap "D2" (temperaturjusteringsknap "+") trykkes for at justere køleskabets eller fryserens temperatur, blinker indikatoren "a1" (Auto Set indikator) samtidigt med et lydssignal for at angive, at denne handling ikke kan udføres.

Hvis funktionen "Super-Cool", "Super-Freeze" eller "Holiday" er indstillet i Auto Set-tilstand, på grund af forskellige kontrolmetoder, slukkes indikatoren "a1" (Auto Set-tilstand), og derefter afsluttes Auto Set-funktionen automatisk.

## Holiday-tilstand

Holiday-tilstand er designet til, når køleskabet ikke bruges i lang tid. Når Holiday-tilstanden er slået til, er fryseren under normal styring, og køleskabets temperatur indstilles automatisk til 17 °C. Den faktiske temperatur er ikke højere end 17°C, hvilket forhindrer dårlig lugt forårsaget af overtemperatur, og hjælper samtidig med at reducere energiforbruget.

1. Når displayet er låst op, skal du trykke på knappen "B" (Vælger for Holiday-tilstand), summeren ringer én gang, indikatoren "b" (Holiday-tilstand) lyser, og derefter tændes Holiday-funktionen.
2. Når indikatoren "b" (Holiday-tilstand) lyser, skal du trykke på knappen "B" (Holiday-tilstandsvælger). Summeren ringer én gang, indikatoren "b" (Holiday-tilstand) slukker, og derefter slukkes Holiday-funktionen





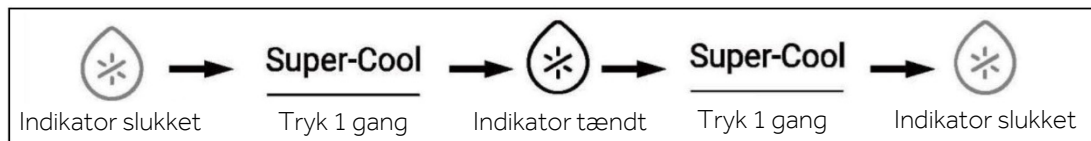
## Bemærk

Under Holiday-tilstand kan køleskabets temperatur ikke justeres. Hvis enten knappen "D1" (temperaturjusteringsknap "-") eller knappen "D2" (temperaturjusteringsknap "+") trykkes ned for at justere køleskabets temperatur, blinker indikatoren "b" (Holiday-indikator) samtidigt med et lydsignal for at angive, at denne handling ikke kan udføres.

Inden du bruger Holiday-funktionen, skal du tømme køleskabet for at forhindre, at maden i det bliver dårlig. Når Holiday-funktionen er slået til, kan enten "Auto Set"-funktionen eller "Super-Cool"-funktionen ikke aktiveres på samme tid.

### Super-Cool-funktion

1. Når displayet er låst op, skal du trykke på knappen "F" (Super-Cool-vælger), summeren ringer én gang, indikatoren "f" (Super-Cool-funktion) lyser, og derefter tændes Super-Cool-funktionen.
2. Når indikatoren "f" (Super-Cool-funktion) lyser, trykkes på knappen "F" (Super-Cool-vælger). Summeren ringer én gang, indikatoren "f" (Super-Cool-funktion) slukker, og derefter bliver Super-Cool-funktionen slået fra.
3. Når Super-Cool-funktionen er tændt, slukker køleskabet automatisk for funktionen, når det når den indstillede tilstand. Hvis du vil afslutte manuelt, kan du trykke på knappen "F" (Super-Cool-vælger) for at slukke.



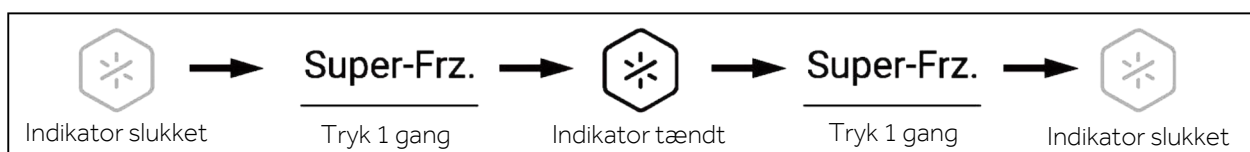
## Bemærk

Under Super-cool tilstand kan køleskabets temperatur ikke justeres. Hvis enten knappen "D1" (temperaturjusteringsknap "-") eller knappen "D2" (temperaturjusteringsknap "+") trykkes ned for at justere køleskabets temperatur, blinker indikatoren "f" (Super-Cool-indikator) samtidigt med et lydsignal for at angive, at denne handling ikke kan udføres.

I tilstanden Super-cool-funktionen kan Auto-set- eller Holiday-funktionen ikke aktiveres på samme tid på grund af forskellige kontroltilstande. Når du vælger en funktion, der er i konflikt med en anden funktion, afsluttes den oprindelige funktion automatisk.

## Super-Freeze-funktion (Super-Frz)

1. Når displayet er låst op, skal du trykke på knappen "E" (Super-Frz.-vælger), ringer summeren én gang, indikatoren "e1" (Super-Freeze-funktion) lyser, og derefter vil Super-Freeze-funktionen blive tændt.
2. Tryk på knappen "E" (Super-Frz.-vælger), når indikatoren "e1" (Super-Freeze-funktion) lyser. Summeren ringer én gang, indikatoren "e1" (Super-Freeze-funktion) slukker, og derefter bliver Super-Freeze-funktionen slået fra.
3. Når Super-Freeze-funktionen er slået til, slukker køleskabet automatisk for funktionen, når det når den indstillede tilstand. Hvis du vil afslutte manuelt, kan du trykke på knappen "E" (Super-Frz.-vælgeren) for at slukke den.



### Bemærk

Under Super-Freeze-tilstand kan frysertemperaturen ikke justeres. Hvis enten knap "D1" (temperaturjusteringsknap "-") eller knap "D2" (temperaturjusteringsknap "+") trykkes ned for at justere fryserens temperatur, blinker indikatoren "e1" (Super-Frz.-indikator) samtidigt med et lydssignal for at angive, at denne handling ikke kan udføres.

I tilstanden med Super-Freeze-funktionen kan Auto-set-funktionen ikke aktiveres på samme tid på grund af forskellige kontroltilstande. Når du vælger en funktion, der er i konflikt med en anden funktion, afsluttes den oprindelige funktion automatisk.

## Filterfunktion

Når køleskabet har været i drift i seks måneder, lyser påmindelsesindikatoren "c3" (Filternulstillingsfunktion) for at minde brugerne om at udskifte med et nyt filter. Når filteret er udskiftet, skal du holde knappen "C" (Filternulstillingsfunktion) nede i 3 sekunder for at afbryde påmindelsen. Timingen nulstilles med en summerlyd.

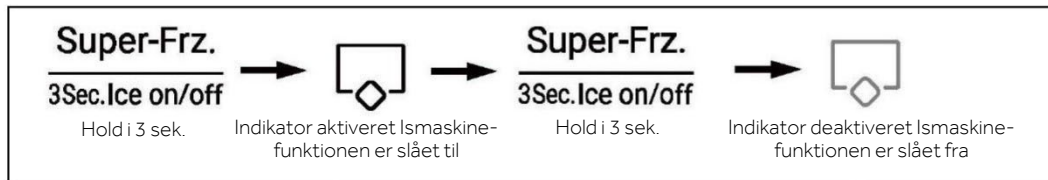


### Bemærk

Filterets normale levetid er seks måneder. Det anbefales at udskifte filteret hver sjette måned.

## Ismaskine-tilstand

1. I ulåst tilstand skal du trykke på knappen "E" (vælger for ismaskine-tilstand) og holde den inde i 3 sekunder, summeren ringer én gang, indikatoren "e2" (ismaskine-tilstand) lyser, og derefter tændes ismaskine-tilstanden.
2. Når indikatoren "e2" (ismaskine-tilstand) lyser, skal du trykke på knappen "E" (ismaskine-tilstandsvælger) og holde den nede i 3 sekunder. Summeren ringer én gang, indikatoren "e2" (ismaskine-tilstand) slukker, og derefter slås ismaskine-tilstand fra.



## Bemærk

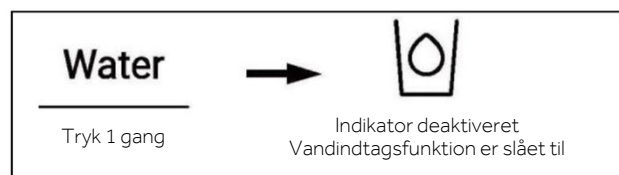
Når applikationen er tændt, er ismaskinen slukket som standard.

Når du ikke har brug for isterninger i længere tid, skal du slukke for Ismaskinefunktionen, tømme beholderen og indsætte den rengjorte beholder.

Ismaskinen kan kun konfigureres hos producenten eller købes hos dennes servicetekniker.

## Vandindtagsfunktion

I enhver tilstand (låst eller ulåst), tryk på knappen "H1" (vælger for vandindtagsfunktion), ringer summeren én gang, indikatoren "h1" (vandindtagsfunktion) lyser, og derefter tændes vandindtagsfunktionen.

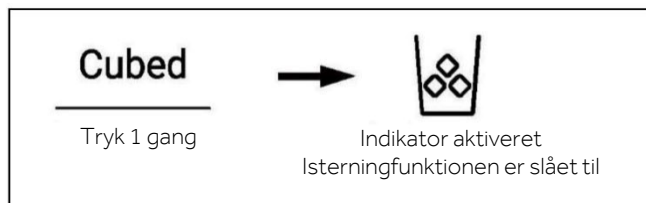


## Bemærk

1. Når indikatoren "h1" (Vandindtagsfunktion) lyser, slukker indikatoren "h2" (Isterning-funktion), og indikatoren "h3" (Knust is-funktion) slukkes. Når der trykkes på dispenserarmen, vil der strømme vand ud af indsugningsåbningen.
2. Når vandindtagstiden når 150 s, vil køleskabet bippe og holde vand, indtil der er gået 180 s. Vandet bliver afbrudt, vandventilen går ind i 200 s beskyttelsestiden, og derefter kan vandindtaget udføres igen.
3. Når den samlede vandindtagstid når 5 min inden for 10 min, går vandventilen ind i 10 min beskyttelsestiden, og derefter kan vandindtaget udføres igen.

## Isterningfunktion

Tryk på knappen "H2" (Vælger til isterningfunktionen i en vilkårlig tilstand (låst eller ulåst). Summeren ringer én gang, indikatoren "h2" (Isterningfunktion) lyser, og derefter tændes isterningfunktionen.

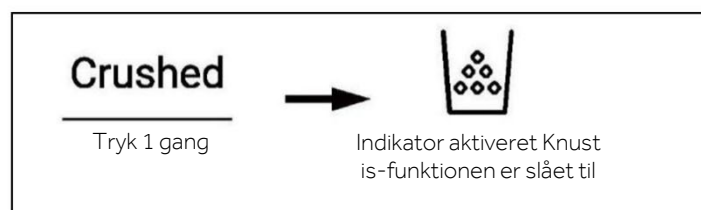


## Bemærk

1. Når indikatoren "h2" (Isterning-funktion) lyser, slukker indikatoren "h1" (Vandindtagsfunktion), og indikatoren "h3" (Knust is-funktion) slukkes. Efter at der er trykket på fordelersens mikrokontakt, vil is i terninger flyde ud af indsugningsåbningen.
2. Når ismaskinen første gang tilsluttes elektricitet for at fungere, er Isterningfunktionen som standard slået fra.
3. Tryk på dispenserens mikrokontakt, lyset på den tændes med låget åbent. Derefter begynder isknusermotoren at rotere mod uret for at skubbe isterninger. Løsn mikrokontakten på dispenserens mikrokontakt, isknusermotoren stopper, dækslet på dispenserens mikrokontakt lukker, og lyset på den slukker efter 5 sekunder.
4. Når isterning-tiden er længere end 50 sekunder i isterningstilstanden, vil der være en summer, der begynder at advare (banke) for at meddele, at brugeren skal lukke den ned. Når tiden når 1 minut, tvangsstoppes isterningstilstanden, og den træder i kraft, når der trykkes på kontakten næste gang.
5. Hvis køleskabsdøren åbnes under isterningstilstanden, vil motoren, der leverer is, stoppe med låget på dispenserens mikrokontakt lukket, lyset på dispenserens mikrokontakt slukket, og isterningstilstanden vil blive stoppet.
6. Det er forbudt at tage is med åben køleskabsdør.

## Knust is-funktion

Under enhver tilstand (låst eller ulåst), tryk på knappen "H3" (vælger for knust is-funktion), summeren ringer én gang, indikatoren "h3" (knust is-funktion) lyser, og derefter tændes funktionen for knust is.





## Bemærk

Når indikatoren "h3" (Knust is-funktion) lyser, slukker indikatoren "h1" (Vandindtagsfunktion), og indikatoren "h2" (Knust is-funktion) slukkes. Efter at mikrokontakten på fordeleren er trykket ned, vil knust is strømme ud af indsugningsåbningen.

Tryk på dispenserens mikrokontakt, lyset på den tændes med låget åbent. Derefter begynder isknusermotoren at rotere med uret for at skubbe isterninger. Løsn mikrokontakten på dispenseren, isknusermotoren stopper, dækslet på dispenseren lukker, og lyset på den slukker efter 5 sekunder.

Når tiden for knust is er længere end 50 sekunder i tilstanden for knust is, vil der være en summer, der begynder at advare (banke) for at bemærke, at brugere skal lukke den ned. Når 1 minut er gået, tvinges den til at stoppe Knust is, og træder i kraft, når der trykkes på kontakten næste gang.

Under knust is vil motoren, der leverer is, stoppe, hvis køleskabsdøren åbnes med låget på dispenseren lukket, lyset på dispenseren slukket, og Knust is vil blive stoppet. Det er forbudt at knuse is med åben køleskabsdør.

## Alarm for åben låge

Hvis en dør holdes åben for længe, eller hvis døren ikke er lukket godt, vil køleskabet udløse en bip-alarm med faste intervaller for at minde dig om at lukke døren i tide.

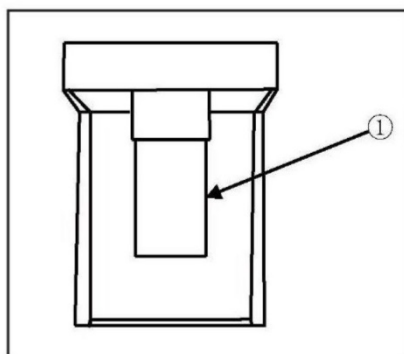
## Sluk for hukommelsen

Den øjeblikkelige funktionstilstand for slukning huskes. Når den er tændt igen, fungerer den stadig i henhold til indstillingen, før strømmen blev slukket.

## Brug af is- og vanddispenseren

Tryk gentagne gange på knappen til valg af dispenser, indtil lyset over den ønskede indikator lyser.

Tryk på dispenserarmen (1) med et glas eller en anden beholder for at dispensere terninger af is, vand eller knust is.

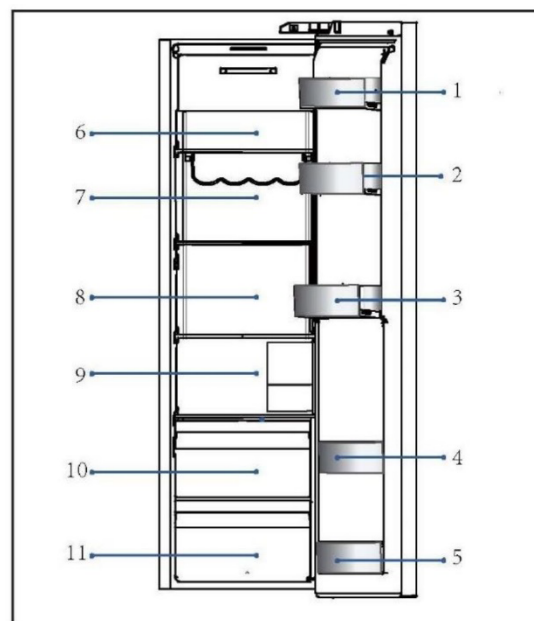


## TIPS TIL OPBEVARING AF FERSKVARER

### Opbevaring i køleskabet

1. Hold køleskabstemperaturen under 5 °C.
2. Varm mad skal køle ned til stuetemperatur, før det sættes i køleskabet.
3. Madvarer, der opbevares i køleskabet, skal vaskes og tørres før opbevaring.
4. Madvarer, der skal opbevares, skal pakkes forsvarligt ind for at undgå lugt eller smagsafsætning.
5. Opbevar ikke for store mængder mad. Gør plads mellem fødevarerne, så kold luft kan cirkulere omkring dem, for en bedre og mere ensartet køling
6. Mad, der spises dagligt, skal opbevares foran på hylden.
7. Sørg for et mellemrum mellem madvarerne og de indvendige vægge, så luften kan cirkulere. Opbevar på ingen måde madvarer op mod bagvæggen: madvarer kan fryse mod bagvæggen. Undgå direkte kontakt mellem fødevarer (især olieholdige eller sure fødevarer) med den indvendige beklædning, da olie/syre kan erodere den indvendige beklædning. Fjern olieagtigt/surt snavs, når det findes.
8. Optø frosne madvarer i køleskabsrummet. På denne måde kan du bruge den frosne mad til at sænke temperaturen i rummet og spare energi.
9. Ældningsprocessen for frugt og grøntsager som courgetter, meloner, papaya, banan, ananas osv. kan fremskyndes i køleskabet. Derfor er det ikke tilrådeligt at opbevare dem i køleskabet. Men modningen af meget umoden frugt kan fremmes i et vist tidsrum. Løg, hvidløg, ingefær og andre rodfrugter skal også opbevares ved stuetemperatur.
10. Ubehagelige lugte inde i køleskabet er et tegn på, at der er spildt noget, og at rengøring er påkrævet. Se PLEJE OG RENGØRING.
11. Forskellige fødevarer bør placeres i forskellige områder i henhold til deres egenskaber:

- 1-Smør, ost mv
- 2-Æg, dåsemad, krydderier mv
- 3/4/5-Drikkevarer og flaskemad.
- 6-Syltede fødevarer, dåsemad mv
- 7/8-Kødprodukter, fisk, råkost
- 9-Dåser, mejeriprodukter mm.
- 10-Frugt, grøntsager, salat mv
- 11-Kogt kød, pølser mv

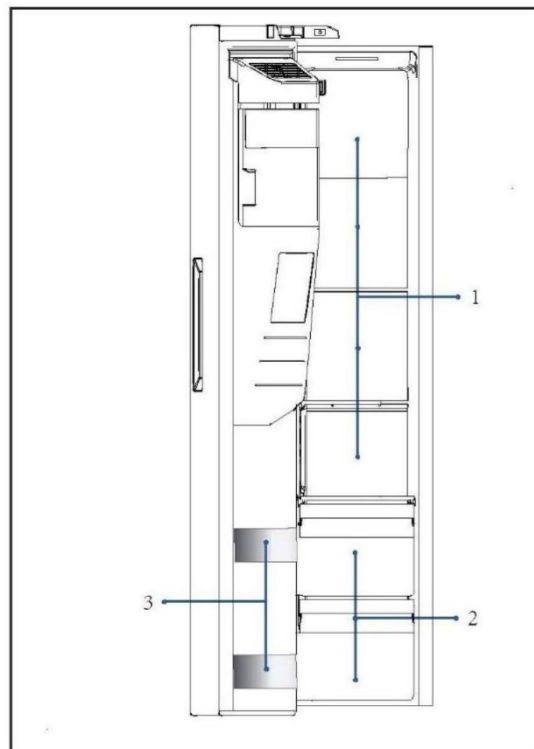


## TIPS TIL OPBEVARING AF FERSKVARER

### Opbevaring i fryseren

1. Hold frysertemperaturen på  $-18^{\circ}\text{C}$ .
2. 12 timer før frysning af ekstra genstande tændes for Super-Freeze-funktionen, til små mængder mad er 4-6 timer tilstrækkeligt.
3. Varm mad skal køle ned til stuetemperatur, før det sættes i fryseren.
4. Mad, der er delt op i mindre portioner, fryses hurtigere og er nemmere at tø op og tilberede. Den anbefalede vægt for hver portion er under 2,5 kg.
5. Det er bedst at indpakke madvarer, før de lægges i fryseren. Ydersiden af emballagen skal være tør for at undgå, at poser klæber sammen. Emballagen skal være lugtfri, lufttæt, ikke-giftig.
6. For at undgå udløb af opbevaringsperioder bedes du notere indfrysningsdatoen, tidsgrænsen og navnet på fødevaren på emballagen i henhold til opbevaringsperioderne for forskellige fødevarer.
7. **ADVARSEL!** Syrer, baser og salt osv. kan angribe fryserens indvendige overflade. Anbring ikke mad med disse stoffer (f.eks. havfisk) direkte på den indvendige beklædning. Saltvand i fryseren skal straks renses af.
8. Undlad at overskride den opbevaringstid, producenten anbefaler. Tag kun den nødvendige mængde mad ud af fryseren.
9. Forskellige fødevarer bør placeres i forskellige områder i henhold til deres egenskaber:

- 1- Mindre tunge ting, såsom is, grøntsager, brød mv
- 2- Store/tungere portioner mad, såsom køller til stegning
- 3- Pizza mv





## BEMÆRK: OPBEVARING

1. Hold en afstand på mere end 10 mm mellem maden og sensoren for at sikre den kølende effekt.
2. Lad den nederste skuffe stå i apparatet, når det er i drift, for at sikre den kølende effekt.
3. Madvarer, der inkluderer is (såsom flødeis o.l.), skal opbevares inde i fryserummet i stedet for i flaskeholderne. De temperaturændringer, flaskeholderne udsættes for på grund af åbning og lukning af lågen, kan optø maden.
4. Spis optøet mad hurtigt. Optøede fødevarer kan ikke genfryses, medmindre de først er tilberedt, ellers kan de være mindre spiselige.
5. Læg ikke for store mængder ferskvarer i fryseren. Se fryserens frysekapacitet – Se TEKNISKE DATA eller data på typeskiltet.
6. Madvarer kan opbevares i fryseren ved en temperatur på mindst  $-18^{\circ}\text{C}$  i 2 til 12 måneder afhængigt af egenskaberne (f.eks. kød: 3-12 måneder, grøntsager: 6-12 måneder)
7. Når du fryser ferskvarer, skal du undgå at bringe dem i kontakt med allerede frosne fødevarer. Risiko for optøning!
8. Nedfrys frosne mad i køleskabet. På denne måde kan du bruge den frosne mad til at sænke temperaturen i rummet og spare energi.

### **Når du opbevarer kommercielt frosne fødevarer, skal du følge disse retningslinjer:**

1. Følg altid producentens retningslinjer for, hvor længe du bør opbevare madvarer. Overskrid ikke disse retningslinjer!
2. Prøv at holde tiden mellem køb og opbevaring så kort som muligt for at bevare fødevarerens kvalitet.
3. Køb frosne fødevarer, som har været opbevaret ved en temperatur på  $-18^{\circ}\text{C}$  eller derunder.
4. Undgå at købe madvarer, der har is eller frost på emballagen - Dette er tegn på, at produkterne kan være blevet delvist optøet og genfrosset på et tidspunkt, hvor temperaturstigningen påvirker kvaliteten af fødevarerne.

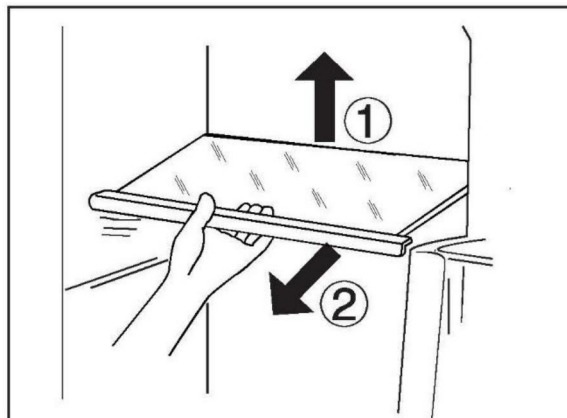


## Energisparetips

- ▶ Sørg for, at apparatet er korrekt ventileret (se INSTALLATION).
- ▶ Installer ikke apparatet i direkte sollys eller i nærheden af varmekilder (f.eks. komfurer eller varmeapparater).
- ▶ Undgå unødigt lav temperatur i apparatet. Energiforbruget stiger, jo lavere temperaturen i apparatet er indstillet.
- ▶ Funktioner som POWER-FREEZE bruger mere energi.
- ▶ Lad varm mad køle af, før den sættes i apparatet.
- ▶ Åbn apparatdøren så lidt og kortvarigt som muligt.
- ▶ Overfyld ikke apparatet for at undgå at blokere luftstrømmen.
- ▶ Undgå luft i fødevareemballagen.
- ▶ Hold dørtætninger rene, så døren altid lukker korrekt
- ▶ Optø frosne madvarer i køleskabsrummet.
- ▶ Den mest energibesparende konfiguration kræver, at apparatet holder skuffer, madkasse og hylder i fabriksny tilstand, og maden skal så vidt muligt placeres uden at blokere kanalens luftudgang.

### Justerbare hylder

1. Højden på hylderne kan justeres, så de passer til dine opbevaringsbehov.
2. Hvis du vil flytte en hyld, skal du først fjerne den ved at løfte dens bagkant ① og trække den ud ②.
3. For at geninstallere den skal du sætte den på tappene på begge sider og skubbe den til den bageste position, indtil den bagerste del af hylden er fastgjort inde i hullerne i siderne

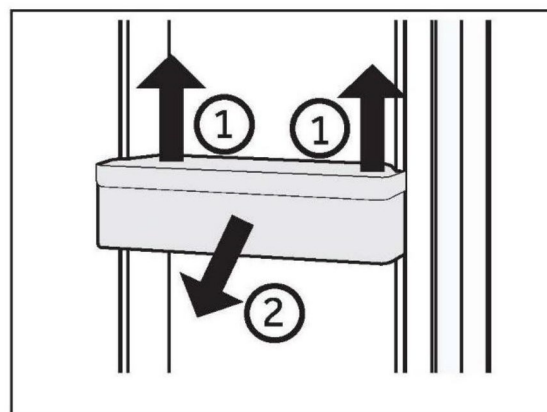


### BEMÆRK

Sørg for, at alle ender af hylderne er i vater.

### Aftagelige dørstativer/flaskeholder

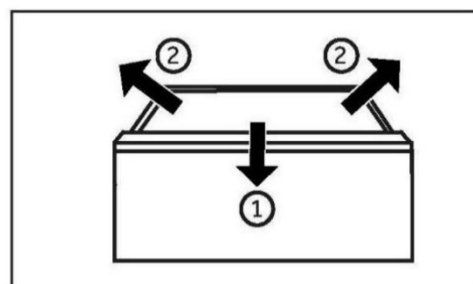
1. Dørstativerne/flaskeholderen kan tages af for rengøring:
2. Læg hænderne på hver side af stativerne/flaskeholderen, løft den opad ① og træk den ud ②.
3. Indsæt dørstativerne/flaskeholderen ved at udføre ovenstående trin i omvendt rækkefølge



### Aftagelig skuffe

Hvis du vil tage skuffen ud, skal du trække den så langt ud som muligt ①, løfte skuffen og tage den ud ②.

For at indsætte skuffen udføres ovenstående trin i omvendt rækkefølge.



### Isbeholder

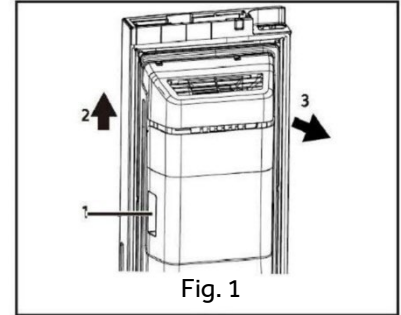
#### Stop produktionen af is

Hvis der ikke er behov for is eller vand over længere tid, kan ventilen mellem vandforsyningen og apparatet slukkes.

Isboksen skal rengøres, tørres og sættes tilbage i apparatet for at forhindre lugte i at opstå.

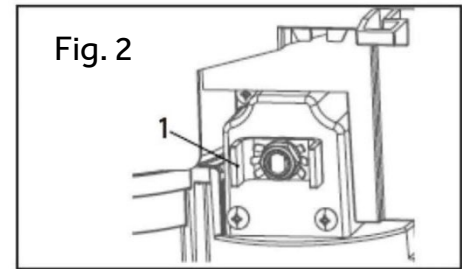
## Udtagning af isbeholderen

1. Tag fat i begge sidehåndtag.
2. Løft beholderen op.
3. Træk beholderen ud.



## Geninstallation af isbeholderen

For at geninstallere isbeholderen skal det U-formede beslag bag isbeholderen (1 i fig. 2) flugte med den tilsvarende metalstruktur. Følg trinene fra fig. 1 i omvendt rækkefølge.



### BEMÆRK

Fugt kan kondensere og fastfryse isboksen på dens plads.



### ADVARSEL!

Afbryd køleskabet/fryseren fra stikkontakten før rengøring.

#### Rengøring

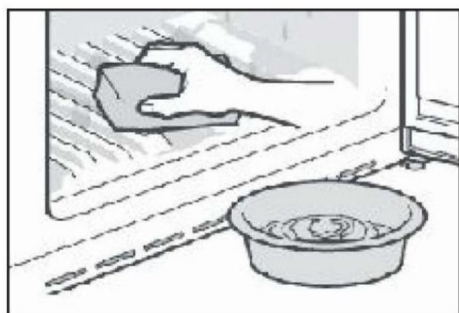
Rengør apparatet, når der kun opbevares få eller ingen madvarer.

Køleskabet/fryseren skal rengøres hver fjerde uge for god vedligeholdelse og for at forhindre dårlig madlugt.



### ADVARSEL!

- ▶ Rengør ikke apparatet med hårde børster, stålbørster, vaskepulver, benzin, amylacetat, acetone og lignende organiske opløsninger, sure eller alkaliske opløsninger. Rengør med specielt køleskabsrengøringsmiddel for at undgå skader.
- ▶ Undlad at sprøjte eller skylle apparatet under rengøring.
- ▶ Brug ikke vandspray eller damp til at rengøre apparatet.
- ▶ Undlad at rense de kolde glashylder i varmt vand. Pludselige temperaturændringer kan få glasset til at knække.
- ▶ Rør ikke ved den indvendige overflade af fryserens opbevaringsrum, især ikke med våde hænder, da dine hænder kan fryse fast på overfladen.
- ▶ I tilfælde af temperaturstigning kontrolleres frostvarernes tilstand.



- ▶ Hold altid dørpakningen ren.
- ▶ Rengør apparatets inderside og hus med en svamp fugtet i varmt vand og et neutralt rengøringsmiddel.
  1. Skrub køleskabet indvendigt og udvendigt, inklusive dørforsegling, dørreol, glashylder, kasser og andet med et blødt viskestykke eller en svamp dyppet i varmt vand (du kan tilsætte et neutralt rengøringsmiddel i det varme vand).
  2. Hvis der er spildt væske, skal du fjerne alle de forurenede dele, skylle direkte med rindende vand, tørre og stille det tilbage i køleskabet.
  3. Hvis der er spildt fløde (såsom fløde, smeltende is), skal du fjerne alle de forurenede dele, komme dem i varmt vand ved ca. 40 °C i nogen tid, derefter skylle med rindende vand, tørre og lægge det tilbage i køleskabet.
  4. Hvis en lille del eller komponent sætter sig fast inde i køleskabet (mellem hylder eller skuffer), skal du bruge en lille blød børste til at frigøre den. Hvis du ikke kunne nå delen, bedes du kontakte Haier service
- ▶ Skyl og tør efter med en blød klud.
- ▶ Undlad at vaske nogen af de løse dele i en opvaskemaskine.
- ▶ Lad der gå mindst 5 minutter, før køleskabet/fryseren startes igen, da hyppige starter kan beskadige kompressoren.

#### Afrimning

Optøning af køleskab og fryserum sker automatisk: Ingen manuel betjening er påkrævet.



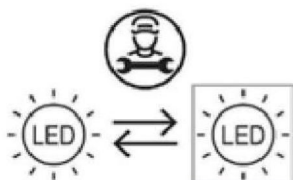
### Udskiftning af LED-lamper



## ADVARSEL!

Udskift ikke LED-lampen selv, den må kun udskiftes af enten producenten eller den autoriserede servicetekniker.

Lamperne anvender LED som lyskilde, med lavt energiforbrug og lang levetid. Hvis der er noget unormalt, bedes du kontakte kundeservice. Se KUNDESERVICE.



Lyskilde (kun LED) kan udskiftes af en fagperson.

Dette produkt indeholder en lyskilde i energiklasse G.

Rum	Spænding	Energi klasse	Model
Køleskab	12V	G	HSW59F18DIMM
Fryser	12V	G	HSW79F18DIPT
Lampe på bagklædning	12V	G	HSW79F18DIPT

### Rengøring af isbeholderen

Rengør isbeholderen med jævne mellemrum med varmt vand, især hvis isterninger bliver for gamle. Tør beholderen godt, før du sætter den tilbage i apparatet for at forhindre isterninger i at klæbe til væggene.

### Ude af brug i længere tid

Hvis apparatet ikke bruges i længere tid, og du ikke vil bruge Holiday-funktionen til køleskabet:

- ▶ Tag maden ud.
- ▶ Tag stikket ud.
- ▶ Rengør apparatet som beskrevet ovenfor.
- ▶ Hold dørene åbne for at forhindre dannelsen af dårlig lugt indvendig.



## BEMÆRK

Sluk kun for apparatet, hvis det er strengt nødvendigt.



## Flytning af apparatet

1. Fjern alle madvarer og tag køleskabet/fryseren fra stikkontakten.
2. Fastgør hylder og andre bevægelige dele i køleskabet og fryseren med tape.
3. Undlad at vippe køleskabet mere end 45° for at undgå at beskadige kølesystemet.



### ADVARSEL!

- ▶ Løft ikke apparatet i håndtagene.
- ▶ Læg aldrig apparatet vandret ned på jorden.

## Udskiftning af filter

Vandfilteret skal skiftes cirka hver 6. måned, når indikatoren "c3" (Filter Reset funktion) lyser.

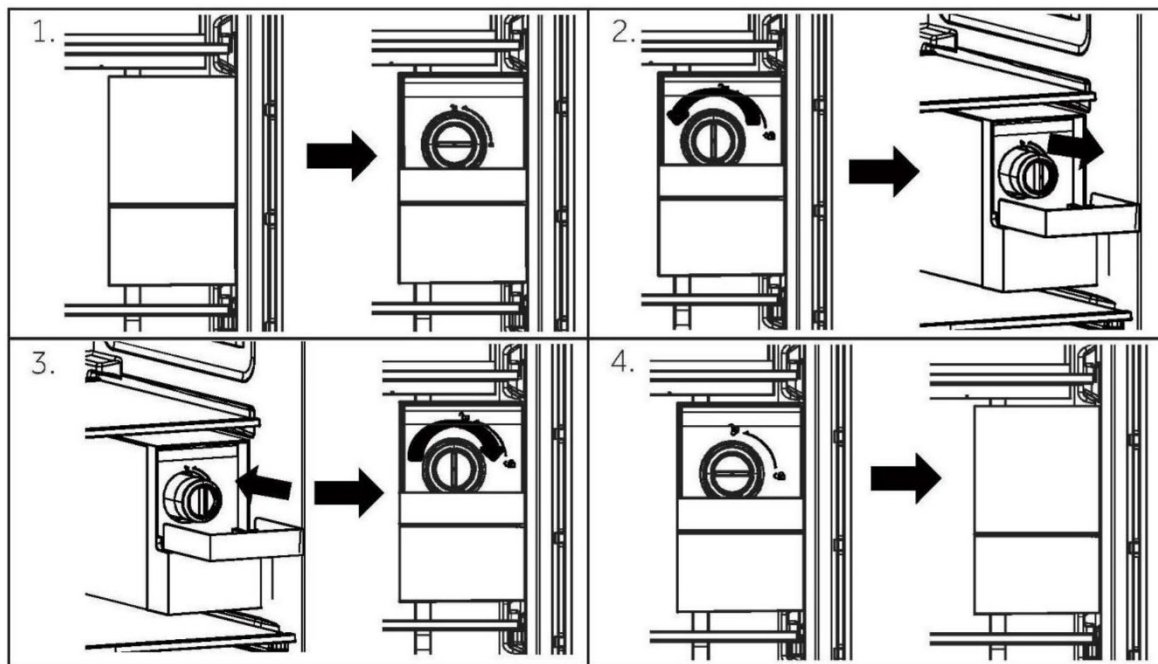
Sådan køber du et nyt vandfilter:

- Brug udskiftningspatron til: HRXWF,
- Besøg din lokale forhandler eller distributør. Besøg vores websted på [www.haierspares.eu](http://www.haierspares.eu) for yderligere assistance



### Bemærk

- ▶ Udskiftning af vandfilteret får en lille mængde vand (omkring 25 cc) til at løbe ud.
  - ▶ Vikl en klud rundt om forenden af vandfilterdækslet for at opsamle eventuelt lækkende vand. Hold vandfilteret oprejst, når det er fjernet, for at forhindre resterende vand i at spilde ud af vandfilteret.
1. Tryk ned på midten af det øverste låg, og drej ned.
  2. Fjern engangsvandfilteret.
  3. Udskift med et nyt vandfilter. Sæt det nye filter i filterhovedet og drej det med uret, indtil pilen på det nye filter flugter med pilen på filterhovedet. Sving filteret tilbage ind i rummet.
  4. Luk vandfilterdækslet.



5. Tryk og hold nede på 3Sec. Filter Reset-knappen i 3 sekunder.
6. Dispensér vand i cirka 5 minutter for at fjerne indespærret luft og forurenende stoffer.



## FORSIGTIG!

- ▶ Undladelse af at udskifte filtre, når det er påkrævet, eller brug af ikke-Haier-autoriserede vandfiltre kan få filterpatronen til at lække og resultere i ejendomsskade.

### Vandfilter

#### Model: Haier HRXWF

- ▶ Systemet er certificeret af IAPMO R&T mod NSF/ANSI Standards 42, 53, 401 og P473 til reduktion af krav specificeret på ydeevne og på [iapmort.org](http://iapmort.org).
- ▶ Den faktiske ydeevne kan variere med lokale vandforhold.

### Anvendelsesvejledning/Vandforsyningsparametre

Serviceflow: 0,5 gpm (1,89 lpm)

Vandforsyning: Drikkevand

Vandtryk: 172-827 kPa (25-120 psi)

Vandtemperatur: 0,6° C-38° C

Kapacitet: 643,5 liter (170 gallons)



Det er vigtigt, at producentens anbefalede installations-, vedligeholdelses- og filterudskiftningskrav overholdes, for at produktet kan fungere som annonceret.

Se installationsvejledningen for garantioplysninger.



### Bemærk

Testen er udført under standard laboratorieforhold, men den faktiske ydeevne kan variere. Udskiftning af patron: HRXWF Find de estimerede omkostninger til udskiftning af elementer inde på vores websted på [www.haierespares.eu](http://www.haierespares.eu).



### ADVARSEL!

- ▶ For at reducere risikoen forbundet med indtagelse af forurenende stoffer:
- ▶ Må ikke bruges med vand, der er mikrobiologisk usikkert eller af ukendt kvalitet uden tilstrækkelig desinfektion før og efter systemet. Systemer certificeret til cystereduktion kan bruges på desinficeret vand, der kan indeholde filtrerbare cyster.



### Bemærk

**For at reducere risikoen for vandlækage eller oversvømmelse og for at sikre optimal filterfunktion:**

- ▶ Læs og følg brugervejledningerne før installation og brug af dette system.
- ▶ Installation og brug SKAL overholde alle statslige og lokale VVS-regler.
- ▶ Må ikke installeres, hvis vandtrykket overstiger 120 psi (827 kPa). Hvis dit vandtryk overstiger 80 psi (552 kPa), skal du installere en trykreduktionsventil. Kontakt en VVS-fagmand, hvis du er i tvivl om, hvordan du skal kontrollere vandtrykket.
- ▶ Må ikke installeres, hvor vandhammerforhold kan forekomme. Hvis der er vandhammerforhold, skal du installere en vandhammerafleder. Kontakt en VVS-fagmand, hvis du er i tvivl om, hvordan du skal undersøge disse forhold.
- ▶ Må ikke installeres på rørledninger til varmtvandsforsyning. Den maksimale driftsvandtemperatur for dette filtersystem er 38° C.
- ▶ Beskyt filteret mod frost. Tøm filteret, når temperaturen falder til under 0,6° C.
- ▶ Skift engangsfilterpatronen hver sjette måned eller tidligere, hvis du observerer en mærkbar reduktion i vandgennemstrømningen.
- ▶ Undladelse af at udskifte engangsfilterpatronen med anbefalede intervaller kan føre til reduceret filterydelse og revner i filterhuset, hvilket kan forårsage vandlækage eller oversvømmelse.
- ▶ Dette system er blevet testet i henhold til NSF/ANSI 42, 53, 401 og P473 for at reducere nedenstående stoffer. Koncentrationen af de angivne stoffer i vand, der kom ind i systemet, blev reduceret til en koncentration mindre end eller lig med den tilladte grænse for vand, der forlader systemet, som specificeret i NSF/ANSI 42, 53, 401 og P473.

Mange problemer, der kunne opstå, kan du selv løse uden særlig ekspertise. Prøv alle muligheder i tilfælde af problemer, og følg nedenstående vejledning, før du kontakter et serviceværksted. Se KUNDESERVICE.



### ADVARSEL!

- ▶ Før vedligeholdelse skal du slukke for apparatet og tage stikket ud af stikkontakten.
- ▶ Elektrisk udstyr bør kun serviceres af kvalificerede elektrikere, da forkerte reparationer kan forårsage betydelige følgeskader.
- ▶ En beskadiget lysnetledning skal udskiftes af producenten, dennes serviceagent eller en lignende kvalificeret fagperson for at undgå fare.

Problem	Mulig årsag	Mulig løsning
Kompressoren virker ikke.	<ul style="list-style-type: none"> <li>• Lysnetledningen er ikke sat i stikkontakten.</li> <li>• Apparatet er i afrimningscyklus</li> </ul>	<ul style="list-style-type: none"> <li>• Sæt stikket i stikkontakten.</li> <li>• Dette er normalt for en automatisk afrimning</li> </ul>
Køleskabet kører ofte eller i for lang tid ad gangen.	<ul style="list-style-type: none"> <li>• Inde- eller udetemperaturen er for høj.</li> <li>• Apparatet har været uden strøm i nogen tid.</li> <li>• En låge i køleskabet/fryseren er ikke lukket tæt.</li> <li>• Døren har været åbnet for ofte eller for længe.</li> <li>• Temperaturindstillingen for fryseafdelingen er for lav.</li> <li>• Dørpakningen er snavset, slidt, revnet eller forkert.</li> <li>• Den nødvendige luftcirkulation er ikke garanteret.</li> </ul>	<ul style="list-style-type: none"> <li>• I sådanne tilfælde er det normalt, at apparatet kører længere.</li> <li>• Normalt tager det 8 til 12 timer, før apparatet er kølet helt ned til køle/frysetemperatur.</li> <li>• Luk lågen/skuffen og kontroller, at apparat er sat på et vandret underlag, og at der ikke er mad eller emballage, der spærrer for døren.</li> <li>• Åbn ikke lågen/skuffen for ofte.</li> <li>• Indstil temperaturen højere, indtil der opnås en tilfredsstillende køleskabstemperatur. Det tager 24 timer for køleskabstemperaturen at blive stabil.</li> <li>• Rengør lågen/skuffepakningen eller lad kundeservice udskifte dem.</li> <li>• Sørg for tilstrækkelig ventilation.</li> </ul>



Problem	Mulig årsag	Mulig løsning
Køleskabsrummet er snavset og/eller lugter.	<ul style="list-style-type: none"><li>• Køleskabsrummet skal rengøres.</li><li>• Der opbevares stærkt lugtende mad i køleskabet.</li></ul>	<ul style="list-style-type: none"><li>• Rengør køleskabsrummet indvendigt.</li><li>• Pak maden omhyggeligt ind.</li></ul>
Apparatet afgiver unormale lyde.	<ul style="list-style-type: none"><li>• Apparatet er ikke placeret på et plant underlag.</li><li>• Apparatet rører ved en genstand i nærheden.</li></ul>	<ul style="list-style-type: none"><li>• Juster fødderne for at nivellere apparatet.</li><li>• Fjern genstande omkring apparatet.</li></ul>
Der er ikke koldt nok inde i apparatet.	<ul style="list-style-type: none"><li>• Temperaturen er stillet for højt. Der er blevet opbevaret for varme varer.</li><li>• Der er blevet lagt for meget mad ind på én gang.</li><li>• Varerne er for tæt på hinanden.</li><li>• En låge/skuffe i køleskabet/fryseren er ikke lukket tæt.</li><li>• Lågen/skuffen har været åbnet for ofte eller for længe.</li></ul>	<ul style="list-style-type: none"><li>• Nulstil temperaturen.</li><li>• Køl altid varer ned, før de opbevares.</li><li>• Læg altid små mængder mad ind.</li><li>• Efterlad et mellemrum mellem flere fødevarer, så luften kan strømme.</li><li>• Luk lågen/skuffen.</li><li>• Åbn ikke lågen/skuffen for ofte.</li></ul>
Det er for koldt inde i apparatet.	<ul style="list-style-type: none"><li>• Temperaturen er indstillet for lavt. Super-Frz-/Super-Cool-funktionen er aktiveret eller kører for længe.</li></ul>	<ul style="list-style-type: none"><li>• Nulstil temperaturen.</li><li>• Sluk for Super-Frz/Super-Cool-funktionen</li></ul>
Fugtdannelse i køleskabsrummet.	<ul style="list-style-type: none"><li>• Klimaet er for varmt og fugtigt.</li><li>• En låge/skuffe i køleskabet/fryseren er ikke lukket tæt.</li><li>• Lågen/skuffen har været åbnet for ofte eller for længe.</li><li>• Madbøtter eller flasker står åbne.</li></ul>	<ul style="list-style-type: none"><li>• Forhøj temperaturen.</li><li>• Luk lågen/skuffen.</li><li>• Åbn ikke lågen/skuffen for ofte.</li><li>• Lad varm mad køle ned til stuetemperatur, og tildæk madvarer og væsker.</li></ul>
Der samler sig fugt på køleskabets yderside eller mellem lågen/lågerne og skufferne.	<ul style="list-style-type: none"><li>• Klimaet er for varmt og fugtigt.</li><li>• Døren er ikke lukket tæt. Den kolde luft i apparatet og den varme luft udenfor kondenserer.</li></ul>	<ul style="list-style-type: none"><li>• Dette er normal i fugtigt vejr og ændrer sig, når luftfugtigheden øges.</li><li>• Kontroller, at lågen/skuffen er lukket tæt til.</li></ul>

Problem	Mulig årsag	Mulig løsning
Kraftig is- og rimdannelse i fryserummet.	<ul style="list-style-type: none"> <li>• Madvarerne er ikke tilstrækkeligt indpakket.</li> <li>• En låge/skuffe i køleskabet/fryseren er ikke lukket tæt.</li> <li>• Lågen/skuffen har været åbnet for ofte eller for længe.</li> <li>• Dør-/skuffepakningen er snavset, slidt, revnet eller forkert.</li> <li>• Noget på indersiden forhindrer lågen/skuffen i at lukke helt.</li> </ul>	<ul style="list-style-type: none"> <li>• Pak altid madvarerne omhyggeligt ind.</li> <li>• Luk lågen/skuffen.</li> <li>• Åbn ikke lågen/skuffen for ofte.</li> <li>• Rengør lågen/skuffepakningen eller udskift dem med nye.</li> <li>• Flyt hylderne, dørstativerne eller de indvendige beholdere, så døren/skuffen kan lukke.</li> </ul>
Siderne af skabet og dørlisten bliver varme.	<ul style="list-style-type: none"> <li>• -</li> </ul>	<ul style="list-style-type: none"> <li>• Dette er normalt.</li> </ul>
Apparatet afgiver unormale lyde.	<ul style="list-style-type: none"> <li>• Apparatet er ikke placeret på et plant underlag.</li> <li>• Apparatet rører ved en genstand i nærheden.</li> </ul>	<ul style="list-style-type: none"> <li>• Juster fødderne for at nivellere apparatet.</li> <li>• Fjern genstande omkring apparatet.</li> </ul>
Der høres en let lyd svarende til strømmende vand.	<ul style="list-style-type: none"> <li>• -</li> </ul>	<ul style="list-style-type: none"> <li>• Dette er normalt.</li> </ul>
Du vil høre et alarmbip.	<ul style="list-style-type: none"> <li>• Køleskabslågen står åben.</li> </ul>	<ul style="list-style-type: none"> <li>• Luk døren.</li> </ul>
Du vil høre en svag brummen.	<ul style="list-style-type: none"> <li>• Anti-kondenssystemet virker</li> </ul>	<ul style="list-style-type: none"> <li>• Dette forhindrer kondens og er normalt</li> </ul>
Den indvendige belysning eller køleanlægget virker ikke.	<ul style="list-style-type: none"> <li>• Lysnetledningen er ikke sat i stikkontakten.</li> <li>• El-installationen er defekt.</li> <li>• LED-lampen virker ikke.</li> </ul>	<ul style="list-style-type: none"> <li>• Sæt stikket i stikkontakten.</li> <li>• Tjek el-installationen til rummet. Ring til det lokale elselskab!</li> <li>• Tilkald teknisk assistance til udskiftning af lampen.</li> </ul>
Vand siver eller drypper fra vanddispenserens udløb.	<ul style="list-style-type: none"> <li>• Vandbeholderen er ikke installeret korrekt</li> <li>• Vanddispensertuden er ikke skruet fast til tanken.</li> <li>• Den hvide silikone O-ring mangler i vandtuden.</li> </ul>	<ul style="list-style-type: none"> <li>• Sæt vandbeholderen ind i køleskabsdøren igen, sørg for at den er skubbet helt ind i døren.</li> <li>• Vandtuden skrues godt fast i vandbeholderen.</li> <li>• Tjek, at vandtuden har en hvid silikone O-ring i enden af tanken, før vandhanen monteres på vandtanken.</li> </ul>



Teknisk assistance kan kontaktes på vores websted: <https://corporate.haier-europe.com/en/> I afsnittet "Websted" vælger du dit produktmærke og dit land. Du føres til lige netop det websted, hvor du finder telefonnummeret og formularen til at kontakte den tekniske assistance.

## Strømafbrydelse

I tilfælde af strømafbrydelse vil maden forblive forsvarligt kold i ca. 5 timer. Følg disse tips ved længere tids strømafbrydelse, især om sommeren:

- ▶ Åbn lågen/skufferne så få gange som muligt.
- ▶ Læg ikke flere madvarer i apparatet under strømafbrydelsen.
- ▶ Hvis der på forhånd er givet besked om en strømafbrydelse, og afbrydelsens varighed er længere end 5 timer, skal du lave noget is og lægge det i en beholder i toppen af køleskabet.
- ▶ Et eftersyn af varerne er påkrævet umiddelbart efter strømafbrydelsen.
- ▶ Da temperaturen i køleskabet vil stige under en strømafbrydelse eller anden fejl, vil opbevaringsperioden og madens spisekvalitet blive forringet. Al mad, der optøs, skal enten spises eller tilberedes og fryses ned igen (hvor det er muligt) for at forhindre skader på helbredet.



### **BEMÆRK: Hukommelsesfunktion under strømafbrydelse**

Når strømmen er tilbage, fortsætter apparatet med de indstillinger, der blev indstillet før strømafbrydelsen.



## Udpakning



### ADVARSEL!

- ▶ Køleskabet/fryseren er tungt. Vær altid to personer om at håndtere det.
- ▶ Hold alle emballagematerialer uden for børns rækkevidde og bortskaf dem miljøvenligt.
- ▶ Tag apparatet ud af emballagen.
- ▶ Fjern alt emballagemateriale.

## Miljøforhold

Stuetemperaturen bør altid være mellem 10°C og 43°C, da det kan påvirke temperaturen inde i apparatet og dets energiforbrug. Installer ikke apparatet i nærheden af andre varmeafgivende apparater (ovne, køleskabe) uden isolering.

- Udvidet tempereret (SN): dette køleskab er beregnet til brug ved omgivelsestemperaturer i området fra 10° C til 32° C.
- Tempereret (N): dette køleskab er beregnet til brug ved omgivelsestemperaturer i området fra 16° C til 32° C.
- Subtropisk (ST): dette køleskab er beregnet til brug ved omgivelsestemperaturer i området fra 16° C til 38° C.

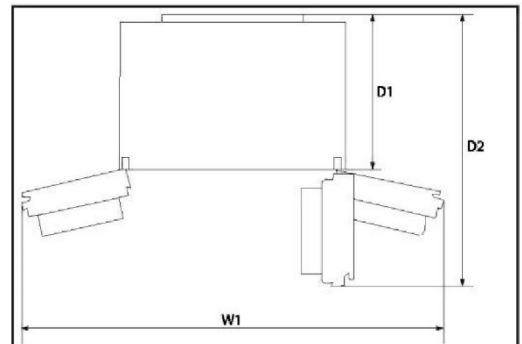
## Pladskrav

Nødvendig plads når døren åbnes:

B1 = 157,8 cm

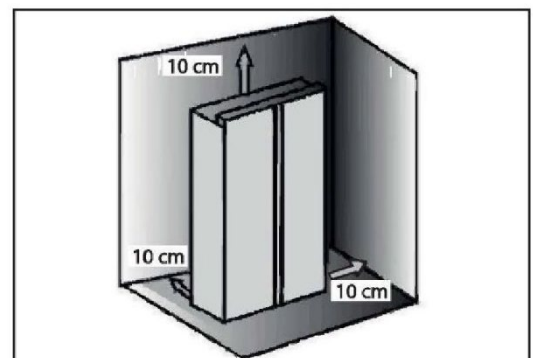
D1 = 62,9 cm

D2 = 117,5 cm



## Ventilationstværsnit

Af sikkerhedsmæssige årsager og for at opnå tilstrækkelig ventilation af apparatet skal målene på de nødvendige ventilationstværsnit overholdes.

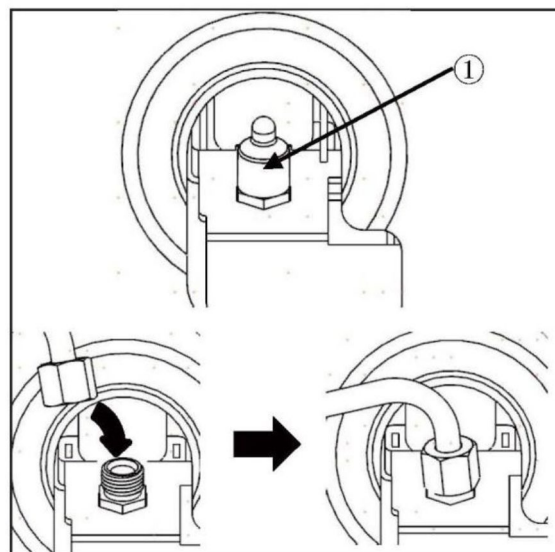


### BEMÆRK

Til fritstående apparater: Dette køleskab er ikke beregnet til indbygning.

## Tilslutning af vand til apparatet

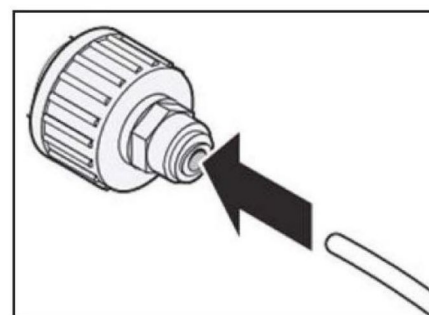
1. Fjern gummiproppen (1) fra vandindløbsventilen.
2. Skub vandrøret fast på vandindløbsventilen, og spænd omløbermøtrikken. Dette vandrør skal skæres fra midten og bruges, og den anden sektion bruges som reservedel.



## Tilslutning til vandhanen

Denne funktion er kun tilgængelig på nogle modeller.

1. Skub vandslangen ind i hullet i hanetilslutningen, der følger med tilbehøret. Røret skal holdes godt fast, mens forbindelsesstykket skubbes på røret.
  2. Sørg for, at gummiskiven er monteret på indersiden af hanetilslutningen, før den skrues på hanen.
- ▶ En separat tilslutning eller adapter skal muligvis købes, hvis din hanefitting ikke passer til gevindstørrelsen på den medfølgende tilslutning.



## Kontrol af vandtilslutningen

Denne funktion er kun tilgængelig på nogle modeller.

- ▶ Tænd for vandforsyningen og tænd for apparatet. Kontroller omhyggeligt alle fittings for mulige utætheder på grund af dårligt monterede slanger.
- ▶ Tryk og hold nede på 3Sec. Filter Reset-knappen i tre sekunder. Det nye vandfilter er blevet aktiveret.
- ▶ Placer en kop under vanddispenseren for at kontrollere, at der strømmer vand gennem apparatet.
- ▶ Kontroller forbindelsesrøret og samlingerne for utætheder igen.



## ADVARSEL!

- ▶ Sørg for, at forbindelserne altid er faste, tørre og lækagefri.
- ▶ Sørg for, at slangen aldrig er klempt, bøjet eller snoet.

### Tilretning af apparatet

Køleskabet/fryseren skal anbringes på et jævnt og fast underlag.

1. Vip apparatet lidt bagover (fig. 7).
2. Indstil fødderne til den ønskede højde. Sørg for, at afstanden til væggen på hængselssiderne er mindst 10 cm.
3. Stabiliteten kan kontrolleres ved at støde skiftevis på de diagonalt modsatte hjørner. Den lette svajen skal være det samme i begge retninger. Ellers kan rammen vride sig, og utætte dørtætninger er et muligt resultat. En lav tendens bagud letter lukningen af dørene.

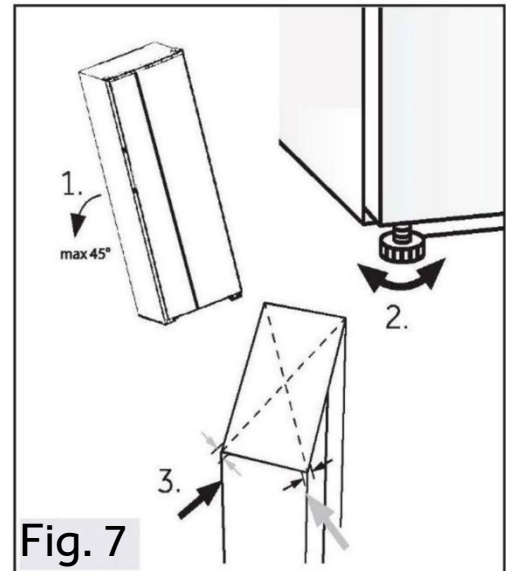


Fig. 7

### Finjustering af dørene

Hvis dørene stadig ikke er i ét niveau, efter at dørene er nivelleret med fødderne, kan dette misforhold afhjælpes ved at dreje hængselløfteakslen i nederste højre hjørne af køledøren med en skruenøgle (fig. 8)

Drej løfteakslen med uret med skruenøglen for at sænke dørhøjden (fig. 9).

Drej løfteakslen mod uret med skruenøglen for at hæve dørhøjden (fig. 10).

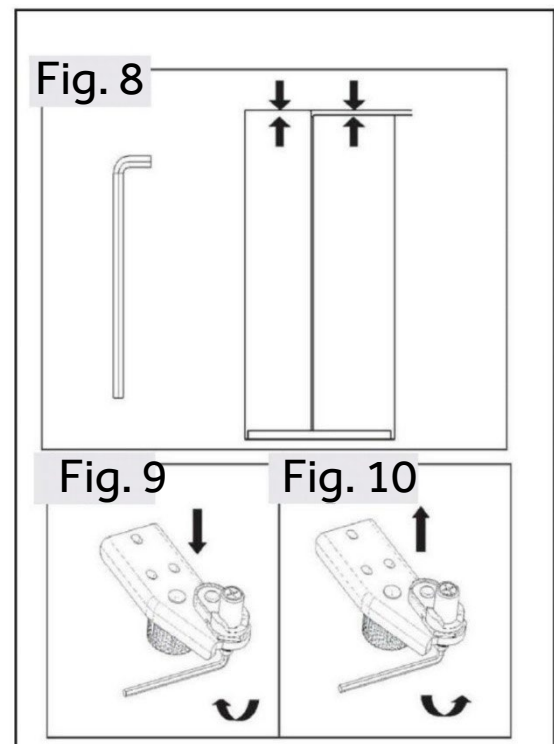


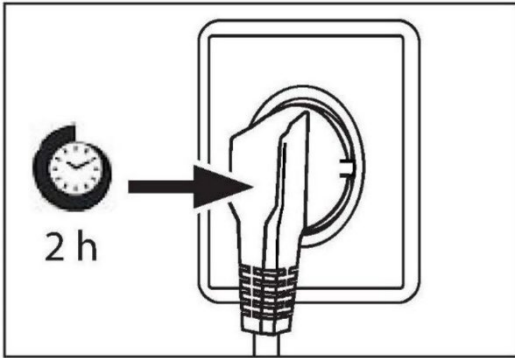
Fig. 8

Fig. 9

Fig. 10

**ADVARSEL!**

Juster ikke hængslets løfteaksel for meget til en højde, som kan få akslen til at forlade sin oprindelige låste position. (Justerbart højdeområde: 3 mm)

**Ventetid**

Til vedligeholdelsesfri smøring er der smøreolie i det lukkede kompressorhus. Denne olie kan trænge gennem det lukkede rørsystem under skrå transport. Før du tilslutter apparatet til strømforsyningen, skal du vente mindst 2 timer, så olien løber tilbage i huset.

**Elektrisk tilslutning****Før hver tilslutning skal du kontrollere, om:**

- ▶ strømforsyning, stik og sikringer passer til mærkepladen.
- ▶ stikkontakten er jordet og ikke en forgrener eller forlænger.
- ▶ strømstik og stikkontakt er strengt efter reglerne.

Tilslut stikket til en korrekt installeret stikkontakt.

**ADVARSEL!**

For at undgå risici skal en beskadiget strømledning udskiftes af kundeservice (se garantibevis).

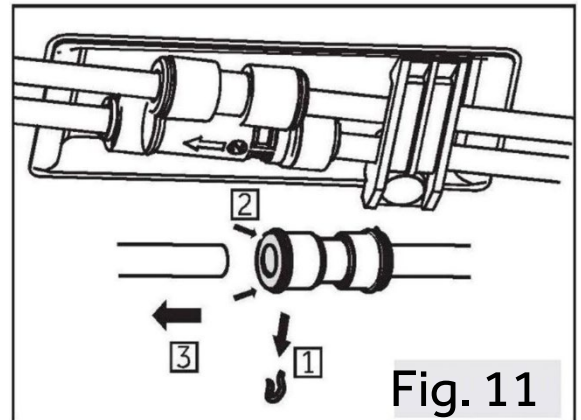
**Afmontering og montering af døre**

Hvis du har brug for at fjerne apparatets døre, skal du følge instruktionerne for afmontering og montering af døren nedenfor.

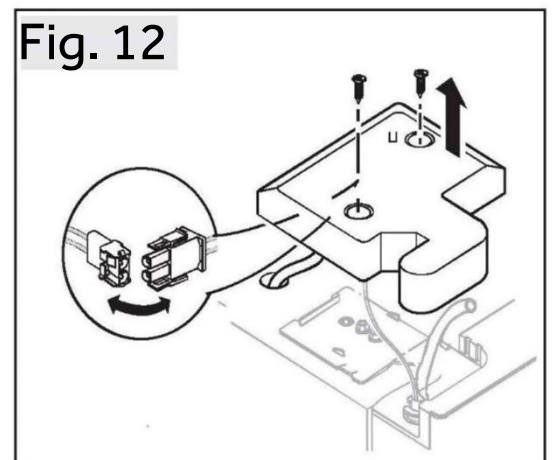
**ADVARSEL!**

- ▶ Før betjening skal du deaktivere apparatet og tage netstikket ud af stikkontakten.
- ▶ Bloker vandforsyningen.
- ▶ Apparatet er tungt. Vær altid to personer om at håndtere det.
- ▶ Vip ikke apparatet mere end 45 og læg det ikke vandret på jorden.
- ▶ Døren kan vælte og skade folk eller blive beskadiget under disse trin. Vær mere opmærksom, når du fjerner og monterer døre.

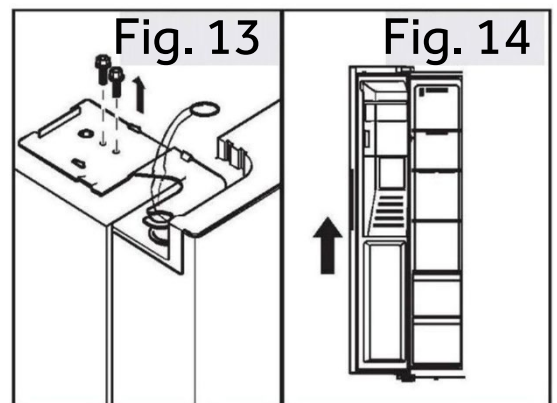
1. Frigør venstre side af to vandkoblinger i forreste venstre hjørne i bunden af apparatet: tryk og hold kraven ind som vist, og fjern vandrøret. (Fig.11).



2. Løsn skruen til hængseldækslet og fjern låget (fig.12). Når du fjerner fryserdøren, skal du frakoble alle ledninger undtagen jordledningen.



3. Løsn skruerne, der holder det øverste hængsel på plads, og fjern derefter hængslet (fig. 13).
4. Løft døren for at fjerne den (fig. 14). Når du fjerner fryserdøren, skal du løfte den højt nok til at trække vandtilslutningen ud fra bunden af apparatet.
5. Genmonter døren ved at følge afmonteringsstrinnene i omvendt rækkefølge. Sørg for, at jordkablet bliver fastgjort med skruen.
6. Genmonter vandtilslutningen.




## BEMÆRK: Køleskabsdør

Billederne viser afmontering af fryserumslågen. Til køleskabsdøren skal du bruge de tilsvarende dele på den anden side.



Produktblad i henhold til EU Regulativ nr. 2019/2016

Mærke	Haier
Modelnavn/identifikator	HSW59F18DIMM HSW79F18DIPT
Modelkategori	Køle-fryseskab
Energiklasse	D
Årligt energiforbrug (kWh/år) <sup>(1)</sup>	267
Samlet volumen (L)	601
Volumen køleskab (L)	391
Volumen fryser (liter)	206
Volumen isopbevaringsbeholder (2-stjernet) (L)	4
Stjernebedømmelse	
Temperatur i andre rum >14°C	Ikke relevant
Frostfrit system	Ja
Frysekapacitet (kg/24 timer)	10
Klimavurdering <sup>(2)</sup>	SN-N-ST
Støjemissionsklasse og luftbårne akustiske støjemissioner (db(A) re 1pW)	C(36)
Temperaturstigningstid (t)	5
Ismaskinekapacitet	0,8 kg/24 t
Apparattype	Frit stående



Forklaringer:

- Ja, funktionen er med
- (1) Baseret på resultaterne af standardernes overensstemmelsestest over 24 timer. Det faktiske forbrug afhænger af apparatets brug og placering.
- (2) Klimanormering SN: Dette apparat er beregnet til brug i en omgivelsestemperatur på mellem +10°C og +32°C  
 Klimanormering N: Dette apparat er beregnet til brug i en omgivelsestemperatur på mellem +16°C og +32°C  
 Klimanormering ST: Dette apparat er beregnet til brug i en omgivelsestemperatur på mellem +16°C og +38°C

### Yderligere tekniske data

Spænding / Frekvens	220-240V~/50Hz
Indgangsstrøm (A)	1,8
Afrimningsindgangseffekt (W)	220
Hovedsikring (A)	15
Kølevæske	R600a
Mål (H/B/D i mm)	1775/905/726



Vi anbefaler vores Haier-kundeservice og brug af originale reservedele.  
Hvis du har et problem med dit apparat, skal du først tjekke afsnittet FEJLFINDING.

Hvis du ikke kan finde en løsning der, så kontakt

- ▶ din lokale forhandler eller
- ▶ vores europæiske Call Service-Center (se anførte telefonnumre nedenfor) eller
- ▶ Service & Support-området på [www.haier.com](http://www.haier.com), hvor du kan aktivere service-
- ▶ krav, og find også ofte stillede spørgsmål.

For at kontakte vores serviceafdeling skal du sikre dig, at du har følgende data til rådighed.  
Oplysningerne kan findes på mærkepladen.

Model \_\_\_\_\_

Serienr. \_\_\_\_\_

Tjek også det garantikort, der fulgte med produktet i tilfælde af garantikrav.

European Call Service-Center		
Land*	Telefonnummer	Priser
Haier Italy (IT)	199 100912	
Haier Spain (ES)	902 509 123	
Haier Germany (DE)	0180539 39 99	<ul style="list-style-type: none"><li>• 14 Ct/min fastnet</li><li>• maks 42 Ct/min Mobil</li></ul>
Haier Austria (AT)	0820 001 205	<ul style="list-style-type: none"><li>• 14,53 Ct/min fastnet</li><li>• max 20 Ct/min alle andre</li></ul>
Haier United Kingdom (UK)	0333 003 8122	
Haier France (FR)	0980 406 409	





\*For andre lande henvises til [www.haier.com](http://www.haier.com)

Haier Europe Trading S.r.l

Filial UK

Westgate House, Westgate, Ealing

London, W5 1YY

Garantiperiode for køleapparatet:

Minimumsgarantien er: 2 år for EU-lande, 3 år for Tyrkiet, 1 år for Storbritannien, 1 år for Rusland, 3 år for Sverige, 2 år for Serbien, 5 år for Norge, 1 år for Marokko, 6 måneder for Algeriet, Tunesien kræver ingen juridisk garanti.

\*Perioden for reservedele til reparation af apparatet:

Termostater, temperaturfølere, printkort og lyskilder lagerføres i mindst syv år efter, at sidste enhed af modellen er bragt på markedet.

Dørhåndtag, dørhængsler, bakker og kurve i mindst syv år og tætningslister til låger i mindst 10 år efter, at sidste enhed af modellen er bragt på markedet.

\*Du finder flere oplysninger om produktet på <https://eprel.ec.europa.eu/> eller ved at scanne QR-koden på det energimærke, der leveres med apparatet.





Πληροφορίες ασφάλειας.....	358
Προβλεπόμενη χρήση .....	363
Περιγραφή προϊόντος.....	364
Πίνακας ελέγχου .....	365
Χρήση .....	366
Εξοπλισμός.....	379
Φροντίδα και καθαρισμός.....	381
Αντιμετώπιση προβλημάτων .....	386
Εγκατάσταση.....	390
Τεχνικά δεδομένα.....	395
Εξυπηρέτηση πελατών .....	397



## Ευχαριστούμε που αγοράσατε ένα προϊόν Haier.

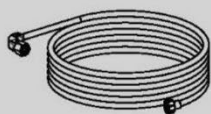
Παρακαλούμε διαβάστε προσεκτικά αυτές τις οδηγίες πριν από την χρήση αυτής της συσκευής. Οι οδηγίες περιέχουν σημαντικές πληροφορίες που θα σας βοηθήσουν να αξιοποιήσετε στο έπακρο τη συσκευή και να εξασφαλίσετε την ασφαλή και σωστή εγκατάσταση, χρήση και συντήρηση.

Φυλάξτε αυτό το εγχειρίδιο σε μια προσβάσιμη θέση, ώστε να μπορείτε πάντα να ανατρέξετε σε αυτό για την ασφαλή και σωστή χρήση της συσκευής.

Εάν πουλήσετε τη συσκευή, την χαρίσετε ή την αφήσετε πίσω όταν μετακομίσετε από το σπίτι, βεβαιωθείτε ότι έχετε αφήσει επίσης και αυτό το εγχειρίδιο, ώστε ο νέος ιδιοκτήτης να εξοικειωθεί με τη συσκευή και τις προειδοποιήσεις ασφαλείας.

## Εξαρτήματα

Ελέγξτε τα εξαρτήματα και τη βιβλιογραφία σύμφωνα με αυτόν τον κατάλογο:



\*Σωλήνας νερού



\*Σύνδεσμος νερού



Ενεργειακή ετικέτα



Κάρτα εγγύησης



Σύντομος οδηγός



## ΠΡΟΕΙΔΟΠΟΙΗΣΗ - Σημαντικές πληροφορίες ασφάλειας



## ΣΗΜΕΙΩΣΗ-Γενικές πληροφορίες και συμβουλές



## Περιβαλλοντικές πληροφορίες

### Απόρριψη



Βοήθεια και συμβολή στην προστασία του περιβάλλοντος και της ανθρώπινης υγείας. Τοποθετήστε τη συσκευασία σε κατάλληλα δοχεία για την ανακύκλωση της. Συμβολή στην ανακύκλωση των αποβλήτων ηλεκτρικών και ηλεκτρονικών συσκευών. Συσκευές που φέρουν αυτό το σύμβολο μην τις απορρίπτετε μαζί με τα οικιακά απορρίμματα. Επιστρέψτε το προϊόν στην τοπική μονάδα ανακύκλωσης ή επικοινωνήστε με το αρμόδιο δημοτικό γραφείο του Δήμου σας.



## ΠΡΟΕΙΔΟΠΟΙΗΣΗ!

Κίνδυνος τραυματισμού ή ασφυξίας!

Τα ψυκτικά μέσα και τα αέρια πρέπει να απορρίπτονται επαγγελματικά. Βεβαιωθείτε ότι η σωλήνωση του κυκλώματος ψυκτικού δεν έχει υποστεί ζημιά πριν απορριφθεί σωστά. Αποσυνδέστε τη συσκευή από την πρίζα παροχής ρεύματος. Κόψτε το καλώδιο τροφοδοσίας και απορρίψτε το. Αφαιρέστε τους δίσκους και τα συρτάρια, καθώς και τα αλιεύματα και τις σφραγίδες της πόρτας, για να αποτρέψετε τα παιδιά και τα κατοικίδια ζώα να κλείσουν στη συσκευή.

## Διαβάστε τις παρακάτω υποδείξεις ασφαλείας πριν ενεργοποιήσετε τη συσκευή για πρώτη φορά:



### ΠΡΟΕΙΔΟΠΟΙΗΣΗ!

#### Πριν από την πρώτη χρήση

- ▶ Βεβαιωθείτε ότι δεν υπάρχει ζημιά εξαιτίας της μεταφοράς.
- ▶ Αφαιρέστε όλες τις συσκευασίες και κρατήστε τις μακριά από τα παιδιά.
- ▶ Περιμένετε τουλάχιστον δύο ώρες πριν τοποθετήσετε τη συσκευή για να βεβαιωθείτε ότι το κύκλωμα του ψυκτικού είναι πλήρως αποτελεσματικό.
- ▶ Χειριστείτε τη συσκευή πάντοτε με δύο άτομα τουλάχιστον, διότι είναι βαριά.

#### Εγκατάσταση

- ▶ Η συσκευή πρέπει να τοποθετηθεί σε καλά αεριζόμενο μέρος. Βεβαιωθείτε ότι υπάρχει χώρος τουλάχιστον 10 εκατοστών πάνω και γύρω από τη συσκευή.
- ▶ Μην τοποθετείτε ποτέ τη συσκευή σε υγρή περιοχή ή θέση όπου μπορεί να πιτσιλιστεί ή βραχεί με νερό. Καθαρίστε και ξύστε τις ξεραμένες πιτσιλιές νερού και λεκέδες με ένα μαλακό καθαρό πανί.
- ▶ Μην εγκαθιστάτε τη συσκευή σε σημείο με άμεσο ηλιακό φως ή κοντά σε πηγές θερμότητας (π.χ. σόμπες, θερμαντήρες).
- ▶ Εγκαταστήστε και τοποθετήστε τη συσκευή σε μια περιοχή κατάλληλη για το μέγεθος και τη χρήση της.
- ▶ Διατηρείτε τα ανοίγματα εξαερισμού στη συσκευή ή την εντοιχισμένη κατασκευή χωρίς αποφράξεις.
- ▶ Βεβαιωθείτε ότι οι ηλεκτρολογικές πληροφορίες στην πινακίδα τύπου συμφωνούν με την αντίστοιχη παροχή ρεύματος. Εάν όχι, επικοινωνήστε με έναν ηλεκτρολόγο.
- ▶ Η συσκευή λειτουργεί με τροφοδοσία 220-240 VAC / 50 Hz. Η μη φυσιολογική διακύμανση της τάσης μπορεί να προκαλέσει την αποτυχία εκκίνησης της συσκευής ή ζημιά στον έλεγχο θερμοκρασίας ή τον συμπιεστή ή μπορεί να υπάρχει ανώμαλος θόρυβος κατά τη λειτουργία. Στην περίπτωση αυτή, πρέπει να τοποθετηθεί ένας αυτόματος ρυθμιστής.
- ▶ Μη χρησιμοποιείτε προσαρμογείς πολλαπλών θέσεων (πολύπριζα) και καλώδια επέκτασης / προέκτασης.
- ▶ Μην τοποθετείτε πολλαπλές φορητές πρίζες ή φορητά τροφοδοτικά στο πίσω μέρος της συσκευής.
- ▶ Βεβαιωθείτε ότι το καλώδιο τροφοδοσίας δεν έχει παγιδευτεί από το ψυγείο. Μην πατάτε το καλώδιο τροφοδοσίας.



## ΠΡΟΕΙΔΟΠΟΙΗΣΗ!

- ▶ Χρησιμοποιήστε μια ξεχωριστή γειωμένη πρίζα για την παροχή ηλεκτρικού ρεύματος, η οποία να είναι εύκολα προσβάσιμη. Αυτή η συσκευή πρέπει να είναι γειωμένη.  
Μόνο για το Ηνωμένο Βασίλειο: Το καλώδιο τροφοδοσίας της συσκευής είναι εξοπλισμένο με βύσμα 3-καλωδίων (με γείωση) που ταιριάζει σε μια τυπική πρίζα 3-καλωδίων (πρίζα με γείωση). Ποτέ μην κόβετε ή αποσυναρμολογείτε τον τρίτο πείρο (γείωση). Μετά την εγκατάσταση της συσκευής, το βύσμα πρέπει να είναι άμεσα προσβάσιμο.
- ▶ Αποφύγετε την πρόκληση ζημιών στο κύκλωμα ψύξης.

### Καθημερινή χρήση

- ▶ Η συσκευή αυτή μπορεί να χρησιμοποιηθεί από παιδιά ηλικίας 8 ετών και άνω και από άτομα με μειωμένες σωματικές, αισθητηριακές ή διανοητικές ικανότητες ή έλλειψη εμπειρίας και γνώσης, εφόσον βρίσκονται υπό εποπτεία ή εάν τους έχουν δοθεί σαφείς οδηγίες σχετικά με τη χρήση της συσκευής με ασφαλή τρόπο και έχουν κατανοήσει επακριβώς τους σχετικούς κινδύνους.
- ▶ Τα παιδιά ηλικίας 3 έως 8 ετών επιτρέπεται να τοποθετούν και να βγάζουν (αντικείμενα) από τις ψυκτικές συσκευές, αλλά δεν επιτρέπεται να τις καθαρίζουν ή να τις εγκαθιστούν.
- ▶ Κρατήστε μακριά τα παιδιά κάτω των 3 ετών από τη συσκευή, εκτός εάν επιβλέπονται συνεχώς.
- ▶ Τα παιδιά δεν επιτρέπεται να παίζουν με τη συσκευή.
- ▶ Εάν υπάρχει διαρροή ψυκτικού αερίου ή άλλου εύφλεκτου αερίου κοντά στη συσκευή, κλείστε τη βαλβίδα του αερίου που διαρρέει, ανοίξτε τις πόρτες και τα παράθυρα και μην αποσυνδέσετε ή συνδέσετε το καλώδιο τροφοδοσίας του ψυγείου ή οποιασδήποτε άλλης συσκευής.
- ▶ Σημειώστε ότι η συσκευή έχει ρυθμιστεί για λειτουργία σε συγκεκριμένο εύρος θερμοκρασίας περιβάλλοντος μεταξύ 10 και 38°C. Η συσκευή ενδέχεται να μη λειτουργεί σωστά εάν αφηθεί για μεγάλο χρονικό διάστημα σε θερμοκρασία υψηλότερη ή χαμηλότερη από το υποδεικνυόμενο εύρος τιμών.
- ▶ Μην τοποθετείτε ασταθή αντικείμενα (βαριά αντικείμενα, δοχεία γεμάτα με νερό) στο πάνω μέρος του ψυγείου, για να αποφύγετε τραυματισμούς από πτώση ή ηλεκτροπληξία από επαφή με νερό.
- ▶ Μην τραβάτε τα ράφια των θυρών της πόρτας. Η πόρτα μπορεί να βγει από τη θέση της, η σχάρα για τα μπουκάλια μπορεί να τραβηχτεί μακριά ή η συσκευή μπορεί να ανατραπεί.
- ▶ Ανοίγετε και κλείνετε την πόρτα μόνο από τις λαβές. Το κενό ανάμεσα στις πόρτες και ανάμεσα στις πόρτες και το ντουλάπι είναι πολύ στενό. Μην βάζετε τα χέρια σας σε αυτές τις περιοχές για να αποφύγετε να πιαστούν (μαγκωθούν) τα δάκτυλά σας. Ανοίξτε ή κλείστε τις πόρτες ψυγείου μόνο όταν δεν υπάρχουν παιδιά που να στέκονται εντός του εύρους κίνησης της πόρτας.



### ΠΡΟΕΙΔΟΠΟΙΗΣΗ!

- ▶ Μην αποθηκεύετε και μην χρησιμοποιείτε εύφλεκτα, εκρηκτικά ή διαβρωτικά υλικά εντός ή εγγύς της συσκευής.
- ▶ Μην αποθηκεύετε φάρμακα, βακτήρια ή χημικούς παράγοντες στη συσκευή. Αυτή η συσκευή είναι μια οικιακή συσκευή. Δεν συνιστάται η αποθήκευση υλικών που απαιτούν αυστηρές θερμοκρασίες.
- ▶ Ποτέ μην αποθηκεύετε υγρά σε φιάλες ή δοχεία (πέραν των αλκοολούχων υψηλού βαθμού) και ιδιαίτερα ανθρακούχα αναψυκτικά στον καταψύκτη καθώς θα διαρραγούν κατά την ψύξη.
- ▶ Ελέγξτε την κατάσταση των τροφίμων εάν έχουν προηγηθεί συνθήκες θέρμανσης στον καταψύκτη.
- ▶ Μην ορίσετε άσκοπα χαμηλή θερμοκρασία στον θάλαμο του ψυγείου. Οι αρνητικές θερμοκρασίες μπορεί να εμφανιστούν σε υψηλές ρυθμίσεις. Προσοχή: Τα μπουκάλια μπορούν να σκάσουν
- ▶ Μην αγγίζετε κατεψυγμένα προϊόντα με βρεγμένα χέρια (φοράτε γάντια). Ειδικά μην πιείτε (τρώτε) γρανίτες αμέσως μετά την αφαίρεση από τον θάλαμο κατάψυξης. Υπάρχει ο κίνδυνος κατάψυξης ή σχηματισμός φουσκάλων παγετού. ΠΡΩΤΕΣ βοήθειες: κρατήστε αμέσως κάτω από τρεχούμενο κρύο νερό. Μην τις τραβάτε μακριά!
- ▶ Μην αγγίζετε την εσωτερική επιφάνεια του χώρου αποθήκευσης του καταψύκτη όταν λειτουργείτε, ειδικά με βρεγμένα χέρια, καθώς τα χέρια σας μπορεί να παγώσουν στην επιφάνεια.
- ▶ Αποσυνδέστε τη συσκευή από την πρίζα σε περίπτωση διακοπής ρεύματος ή πριν από τον καθαρισμό. Αφήστε τουλάχιστον 7 λεπτά πριν από την επανεκκίνηση της συσκευής, καθώς η συχνή εκκίνηση μπορεί να προκαλέσει ζημιά στον συμπιεστή.
- ▶ Μη χρησιμοποιείτε ηλεκτρικές συσκευές στο εσωτερικό των θαλάμων αποθήκευσης τροφίμων της συσκευής, εκτός αν είναι συσκευές που συνιστά ο κατασκευαστής. Συντήρηση / καθαρισμός
- ▶ Βεβαιωθείτε ότι τα παιδιά επιβλέπονται εάν πραγματοποιούν καθαρισμό και συντήρηση.
- ▶ Αποσυνδέστε τη συσκευή από την ηλεκτρική τροφοδοσία πριν πραγματοποιήσετε οποιαδήποτε συντήρηση ρουτίνας. Αφήστε τουλάχιστον 5 λεπτά πριν από την επανεκκίνηση της συσκευής, καθώς η συχνή εκκίνηση μπορεί να προκαλέσει ζημιά στον συμπιεστή.





## ΠΡΟΕΙΔΟΠΟΙΗΣΗ!

- ▶ Κρατήστε το φως, όχι το καλώδιο, όταν αποσυνδέετε τη συσκευή.
- ▶ Μην καθαρίζετε τη συσκευή με σκληρές βούρτσες, συρμάτινες βούρτσες, σκόνη απορρυπαντικού, βενζίνη, οξικό αμύλιο, ακετόνη και παρόμοια οργανικά διαλύματα, όξινα ή αλκαλικά διαλύματα. Καθαρίστε με ειδικό απορρυπαντικό ψυγείου για να αποφύγετε ζημιές.
- ▶ Μην ξύσετε τον δροσοπάγο και τον πάγο με αιχμηρά αντικείμενα. Μην χρησιμοποιείτε σπρέι, ηλεκτρικούς θερμαντήρες όπως θερμαντήρα, στεγνωτήρα μαλλιών, ατμοκαθαριστές ή άλλες πηγές θερμότητας για να αποφύγετε ζημιές στα πλαστικά μέρη.
- ▶ Μην χρησιμοποιείτε μηχανικές συσκευές ή άλλα μέσα για να επιταχύνετε τη διαδικασία απόψυξης, παρά μόνο όσα συνιστώνται από τον κατασκευαστή.
- ▶ Αν το καλώδιο παροχής ρεύματος έχει φθαρεί πρέπει να αντικατασταθεί από τον κατασκευαστή ή τον αντιπρόσωπο του σέρβις ή παρόμοια εξουσιοδοτημένα πρόσωπα, προς αποφυγή του κινδύνου.
- ▶ Μην προσπαθήσετε να επισκευάσετε, αποσυναρμολογήσετε ή τροποποιήσετε τη συσκευή μόνοι σας. Σε περίπτωση επισκευής επικοινωνήστε με την εξυπηρέτηση πελατών μας.
- ▶ Εξαλείψτε τη σκόνη στο πίσω μέρος της μονάδας τουλάχιστον μία φορά τον χρόνο για να αποφύγετε τον κίνδυνο από πυρκαγιά, καθώς και την αυξημένη κατανάλωση ενέργειας.
- ▶ Μην ψεκάζετε ή ξεπλένετε τη συσκευή κατά τον καθαρισμό.
- ▶ Μην χρησιμοποιείτε σπρέι νερού ή ατμό για να καθαρίσετε τη συσκευή.
- ▶ Μην καθαρίζετε τα κρύα γυαλίνα ράφια με ζεστό νερό. Η απότομη αλλαγή θερμοκρασίας μπορεί να προκαλέσει το σπάσιμο του γυαλιού.

## Πληροφορίες για τα ψυκτικά αέρια



### ΠΡΟΕΙΔΟΠΟΙΗΣΗ!

Η συσκευή περιέχει το εύφλεκτο ψυκτικό μέσο ΙΣΟΒΟΥΤΑΝΙΟ (R600a). Βεβαιωθείτε ότι το κύκλωμα ψυκτικού δεν έχει υποστεί ζημιά κατά τη μεταφορά ή την εγκατάσταση. Η διαρροή ψυκτικού μπορεί να προκαλέσει τραυματισμούς στα μάτια ή ανάφλεξη. Εάν έχει προκληθεί ζημιά, κρατήστε το μακριά από ακάλυπτες πηγές φωτιάς, αερίστε καλά το δωμάτιο, μην συνδέσετε ή αποσυνδέσετε τα καλώδια τροφοδοσίας της συσκευής ή οποιασδήποτε άλλης συσκευής. Ενημερώστε την εξυπηρέτηση πελατών.

Σε περίπτωση που τα μάτια έρθουν σε επαφή με το ψυκτικό μέσο, ξεπλένετε τα αμέσως κάτω από τρεχούμενο νερό και καλέστε αμέσως τον οφθαλμίατρο.



## Προβλεπόμενη χρήση

Αυτή η συσκευή προορίζεται για ψύξη και κατάψυξη τροφίμων. Έχει σχεδιαστεί αποκλειστικά για χρήση σε οικιακές και παρόμοιες εφαρμογές, όπως χώρους κουζίνας προσωπικού σε καταστήματα, γραφεία και άλλα εργασιακά περιβάλλοντα· αγροικίες και από πελάτες σε ξενοδοχεία, μοτέλ και άλλα περιβάλλοντα οικιστικού τύπου, καθώς και σε ξενοδοχειακές επιχειρήσεις bed-and-breakfast και catering. Δεν προορίζεται για εμπορική ή βιομηχανική χρήση.

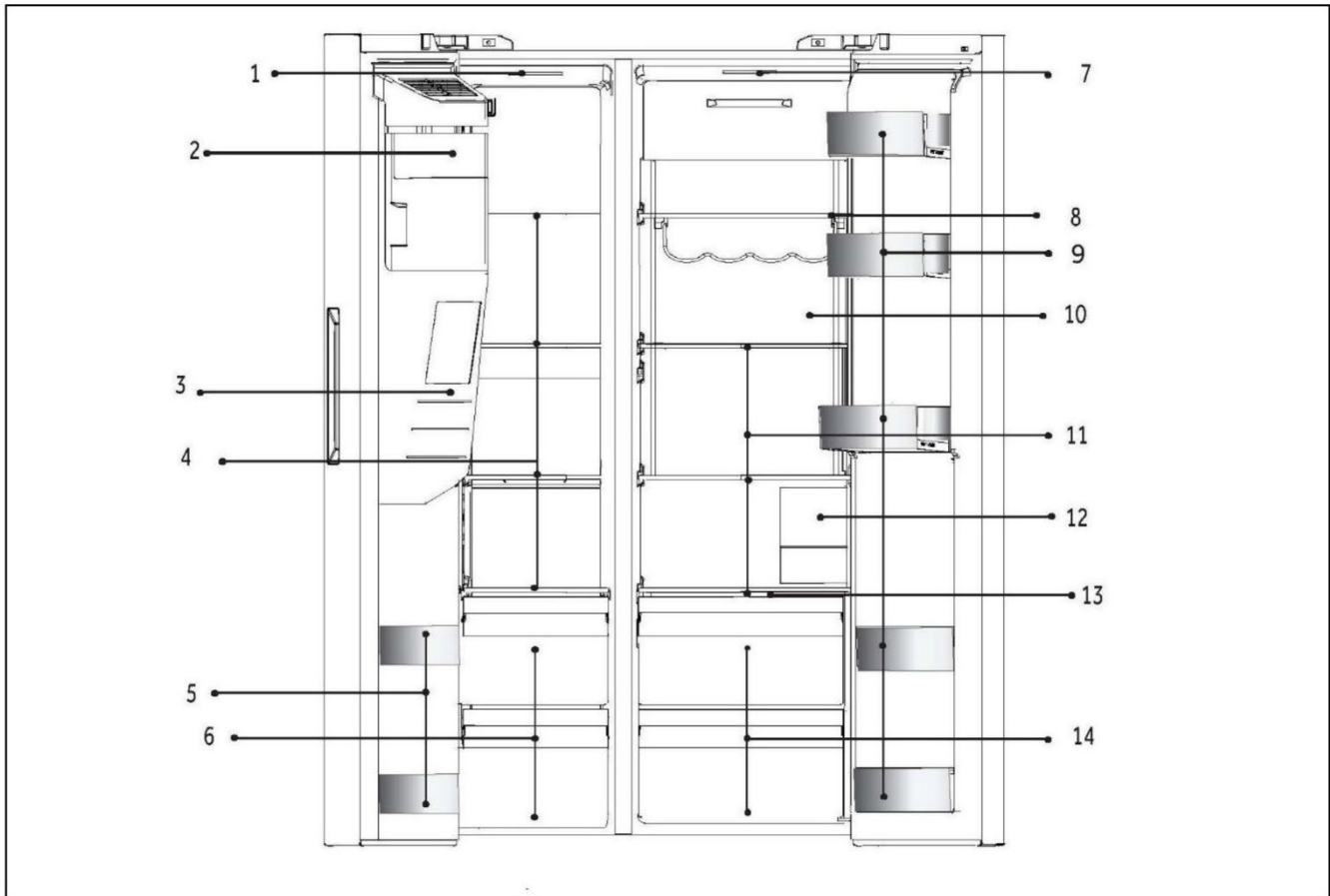
Δεν επιτρέπονται αλλαγές ή τροποποιήσεις στη συσκευή. Η μη προβλεπόμενη χρήση μπορεί να προκαλέσει κινδύνους και απώλεια αξιώσεων εγγύησης.

## Πρότυπα και οδηγίες και

Αυτό το προϊόν πληροί τις απαιτήσεις όλων των εφαρμοστέων κοινοτικών οδηγιών με τα αντίστοιχα εναρμονισμένα πρότυπα και τα πρότυπα του Ηνωμένου Βασιλείου, τα οποία προβλέπουν τις σημάνσεις CE και UKCA.

## **i** Σημείωση

Λόγω τεχνικών αλλαγών και διαφορετικών μοντέλων, ορισμένες από τις εικόνες σε αυτό το εγχειρίδιο ενδέχεται να διαφέρουν από το μοντέλο σας.



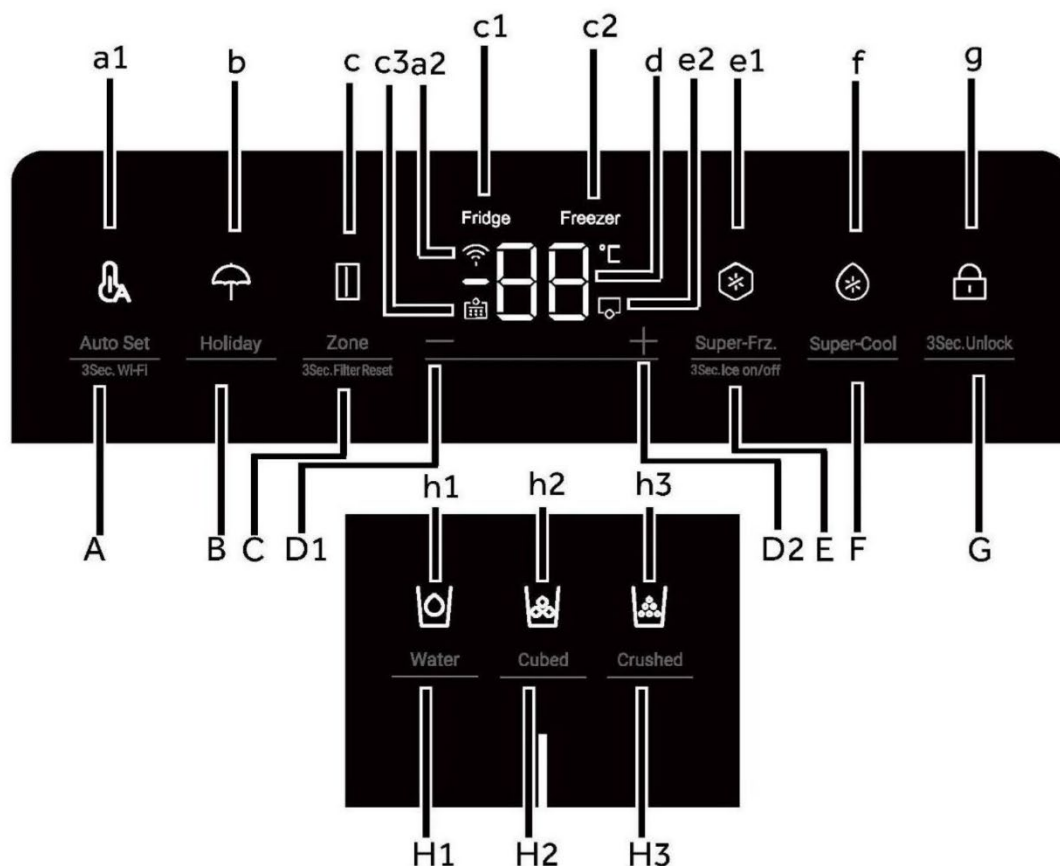
A: Θάλαμος καταψύκτη

- 1 Λαμπτήρας οροφής
- 2 Παγομηχανή με δοχείο πάγου
- 3 Διανομέας νερού και πάγου
- 4 Γυάλινα ράφια
- 5 Μπουκαλοθήκη
- 6 Συρτάρια

B: Θάλαμος ψυγείου

- 7 Λαμπτήρας οροφής
- 8 Ράφι κρασιού
- 9 Μπουκαλοθήκη
- 10 Πίσω λαμπτήρας (HSW79F18DIPT)
- 11 Γυάλινα ράφια
- 12 Φίλτρο νερού
- 13 Επιφάνεια κάλυψης Wet zone
- 14 Συρτάρια

## Πίνακας ελέγχου



Πλήκτρα:

- A Λειτουργία Auto Set/3Sec.Wi-Fi
- B Λειτουργία Holiday
- C Επιλογή Zone/3Sec.Filter Reset
- D1 Κουμπί ρύθμισης θερμοκρασίας "-"
- D2 Κουμπί ρύθμισης θερμοκρασίας "+"
- E Ενεργοποίηση/ απενεργοποίηση λειτουργίας Super-Freeze/3Sec. Ice
- F Λειτουργία Super-Cool
- G Επιλογέας κλειδώματος πίνακα
- H1 Επιλογέας λειτουργίας υδροληψίας
- H2 Επιλογέας λειτουργίας παγοκύβων
- H3 Επιλογέας λειτουργίας θρυμματισμένου πάγου

Ενδείξεις:

- a1 Λειτουργία Auto Set
- a2 Λειτουργία Wi-Fi
- b Λειτουργία Holiday
- c Ένδειξη Zone
- c1 Ένδειξη ψυγείου
- c2 Ένδειξη καταψύκτη
- c3 Λειτουργία επαναφοράς φίλτρου
- d Προβολή θερμοκρασίας
- e1 Λειτουργία Super-Freeze
- e2 Λειτουργία παγομηχανής
- f Λειτουργία Super-Cool
- g Κλείδωμα πίνακα
- h1 Λειτουργία υδροληψίας
- h2 Λειτουργία παγοκύβων
- h3 Λειτουργία θρυμματισμένου πάγου

## Πριν από την πρώτη χρήση

- ▶ Αφαιρέστε όλα τα υλικά συσκευασίας, κρατήστε τα μακριά από τα παιδιά και απορρίψτε τα με φιλικό προς το περιβάλλον τρόπο.
- ▶ Καθαρίστε το εσωτερικό και το εξωτερικό της συσκευής με νερό και ένα ήπιο απορρυπαντικό πριν βάλετε οποιοδήποτε φαγητό σε αυτό.
- ▶ Αφού η συσκευή τοποθετηθεί απολύτως ίσια στο δάπεδο και καθαριστεί, περιμένετε τουλάχιστον 2-5 ώρες πριν τη συνδέσετε στην παροχή ρεύματος. Ανατρέξτε στην ενότητα ΕΓΚΑΤΑΣΤΑΣΗ.
- ▶ Προψύξτε τους θαλάμους σε υψηλές ρυθμίσεις πριν τοποθετήσετε τρόφιμα. Η λειτουργία Power-Freeze βοηθά στην γρήγορη ψύξη των θαλάμων.
- ▶ Η θερμοκρασία ψυγείου και η θερμοκρασία καταψύκτη ρυθμίζονται αυτόματα στους 5°C και -18°C αντίστοιχα. Αυτές είναι οι προτεινόμενες ρυθμίσεις. Εάν θέλετε, μπορείτε να αλλάξετε αυτές τις θερμοκρασίες χειροκίνητα. Ανατρέξτε στην ενότητα ΡΥΘΜΙΣΗ ΘΕΡΜΟΚΡΑΣΙΑΣ.

## Πλήκτρα αισθητήρων

Τα κουμπιά στον πίνακα ελέγχου είναι πλήκτρα αισθητήρων, τα οποία ανταποκρίνονται ήδη όταν αγγίζονται ελαφρά με το δάχτυλο.

## Άναμμα/σβήσιμο της συσκευής

Η συσκευή λειτουργεί μόλις συνδεθεί με την παροχή ρεύματος.

Οι θερμοκρασίες που προβάλλονται θα εμφανίσουν τις θερμοκρασίες ρύθμισης στον θάλαμο. Ίσως το κλείδωμα του πίνακα να είναι ενεργό.



## Σημείωση

Όταν η συσκευή είναι ενεργοποιημένη μετά την αποσύνδεση από την κύρια παροχή ρεύματος, μπορεί να χρειαστούν έως και 12 ώρες για να επιτευχθούν οι σωστές θερμοκρασίες.

Αδειάστε τη συσκευή πριν τη σβήσετε. Για να απενεργοποιήσετε τη συσκευή, τραβήξτε το καλώδιο τροφοδοσίας από την πρίζα.



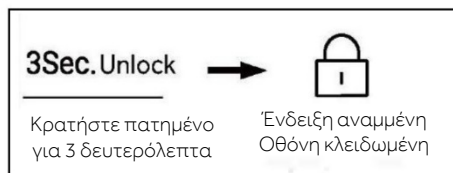
## ΕΙΔΟΠΟΙΗΣΗ

Όταν ενεργοποιηθεί για πρώτη φορά το ψυγείο, ανάβει η ένδειξη. Η θερμοκρασία ψυγείου και η θερμοκρασία καταψύκτη ρυθμίζονται αυτόματα στους 5°C και -18°C αντίστοιχα.



## Κλείδωμα/ξεκλείδωμα πίνακα

1. Αυτόματο κλείδωμα: Όταν η πόρτα του ψυγείου, πόρτα του καταψύκτη είναι κλειστές και δεν εκτελεστεί καμία βασική λειτουργία εντός 30 δευτερολέπτων, η οθόνη θα σβήσει αυτόματα και θα κλειδώσει



2. Χειροκίνητο κλείδωμα: Όταν η οθόνη είναι ξεκλειδωτη, πατήστε το κουμπί "G" (Επιλογέας κλειδώματος πίνακα) και κρατήστε το πατημένο για 3 δευτερόλεπτα. Θα ακουστεί ένα ηχητικό σήμα μία φορά, η ένδειξη "g" (Κλείδωμα πίνακα) θα ανάψει και η οθόνη θα κλειδώσει.



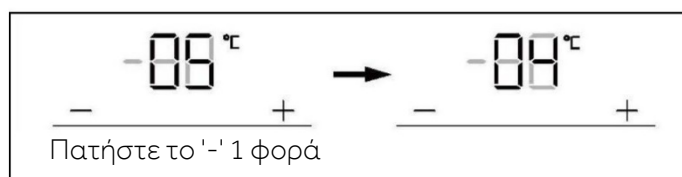
## Ρύθμιση θερμοκρασίας

Οι εσωτερικές θερμοκρασίες επηρεάζονται από τους ακόλουθους παράγοντες:

- ▶ Θερμοκρασία περιβάλλοντος
- ▶ Συχνότητα ανοίγματος πόρτας
- ▶ Ποσότητα αποθηκευμένων τροφίμων
- ▶ Εγκατάσταση της συσκευής

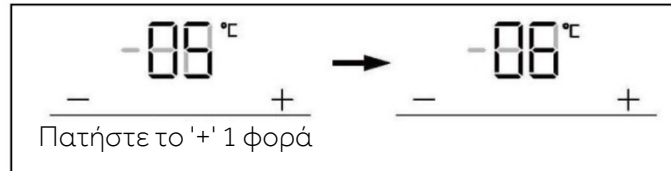
## Ρύθμιση θερμοκρασίας του ψυγείου

1. Όταν η οθόνη είναι ξεκλειδωτη, πατήστε το κουμπί "C" (επιλογέας Zone). Το ηχητικό σήμα ακούγεται μία φορά, η ένδειξη "c1" (ένδειξη ψυγείου) αναβοσβήνει και, στη συνέχεια, εμφανίζεται η λειτουργία ρύθμισης θερμοκρασίας του ψυγείου.
2. Πατήστε το κουμπί "D1" (κουμπί ρύθμισης θερμοκρασίας "-") κάθε φορά, το ηχητικό σήμα ακούγεται μία φορά, η ρυθμισμένη θερμοκρασία του ψυγείου θα μειωθεί κατά 1 βαθμό. Η θερμοκρασία του ψυγείου θα εμφανίζεται με τη διαδοχή "9°C > 8°C > 7°C > 6°C > 5°C > 4°C > 3°C > 2°C > 1°C".



### Ρύθμιση θερμοκρασίας του ψυγείου

3. Πατήστε το κουμπί "D2" (κουμπί ρύθμισης θερμοκρασίας "+") κάθε φορά που το ηχητικό σήμα ακούγεται μία φορά η ρυθμισμένη θερμοκρασία του ψυγείου θα αυξηθεί κατά 1 βαθμό. Η θερμοκρασία του ψυγείου θα εμφανίζεται με τη διαδοχή "1°C > 2°C > 3°C > 4°C > 5°C > 6°C > 7°C > 8°C > 9°C"

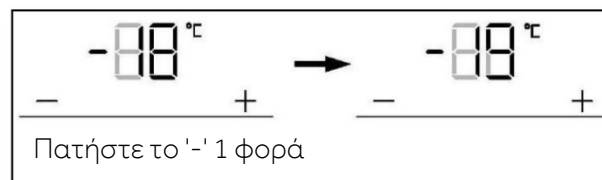


### Σημείωση

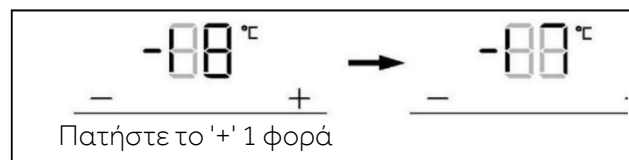
Μετά τη ρύθμιση της θερμοκρασίας, εάν δεν εκτελεστεί κάποια λειτουργία εντός 5 δευτερολέπτων, το σύστημα θα προσδιοριστεί αυτόματα και θα αποθηκεύσει τη ρυθμισμένη θερμοκρασία.

### Ρύθμιση θερμοκρασίας του καταψύκτη

- Όταν η οθόνη είναι ξεκλειδωτή, πατήστε το κουμπί "C" (επιλογέας Zone). Το ηχητικό σήμα ακούγεται μία φορά, η ένδειξη "c2" (ένδειξη καταψύκτη) αναβοσβήνει και, στη συνέχεια, εμφανίζεται η λειτουργία ρύθμισης θερμοκρασίας του καταψύκτη.
- Πατήστε το κουμπί "D1" (κουμπί ρύθμισης θερμοκρασίας "-") κάθε φορά που το ηχητικό σήμα ακούγεται μία φορά η ρυθμισμένη θερμοκρασία του καταψύκτη θα μειωθεί κατά 1 βαθμό. Η θερμοκρασία του καταψύκτη θα εμφανίζεται με τη διαδοχή "-14°C > -15°C > -16°C > -17°C > -18°C > -19°C > -20°C > -21°C > -22°C > -23°C > -24°C".



- Πατήστε το κουμπί "D2" (κουμπί ρύθμισης θερμοκρασίας "+") κάθε φορά που το ηχητικό σήμα ακούγεται μία φορά η ρυθμισμένη θερμοκρασία του καταψύκτη θα αυξηθεί κατά 1 βαθμό. Η θερμοκρασία του καταψύκτη θα εμφανίζεται με τη διαδοχή "-24°C > -23°C > -22°C > -21°C > -20°C > -19°C > -18°C > -17°C > -16°C > -15°C > -14°C".

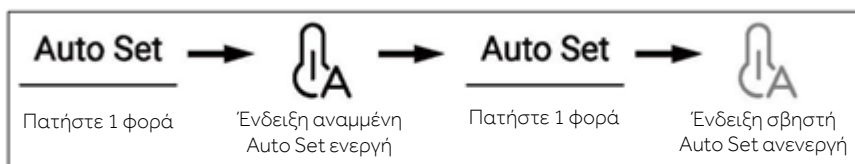


### Σημείωση

Μετά τη ρύθμιση της θερμοκρασίας, εάν δεν εκτελεστεί κάποια λειτουργία εντός 5 δευτερολέπτων, το σύστημα θα προσδιοριστεί αυτόματα και θα αποθηκεύσει τη ρυθμισμένη θερμοκρασία.

## Λειτουργία Auto Set

1. Όταν η οθόνη είναι ξεκλειδωτη, πατήστε το κουμπί "A" (επιλογέας λειτουργίας Auto Set), το ηχητικό σήμα ακούγεται μία φορά, η ένδειξη "a1" (λειτουργία Auto Set) ανάβει και, στη συνέχεια, η λειτουργία Auto Set ενεργοποιείται.
2. Όταν ανάψει η ένδειξη "a1" (λειτουργία Auto Set), πατήστε το κουμπί "A" (επιλογέας λειτουργίας Auto Set), το ηχητικό σήμα ακούγεται μία φορά, η ένδειξη "a1" (λειτουργία Auto Set) σβήνει και, στη συνέχεια, η λειτουργία Auto Set απενεργοποιείται.



## Σημείωση

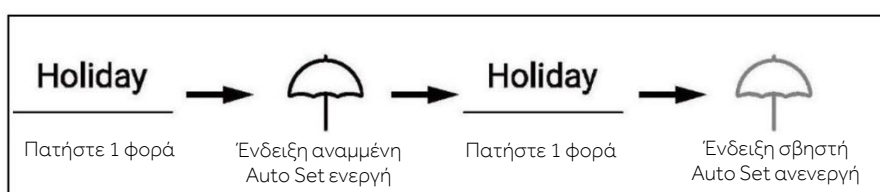
Στη λειτουργία Auto Set, η θερμοκρασία του ψυγείου ή του καταψύκτη δεν μπορεί να προσαρμοστεί. Εάν πατήσετε το κουμπί "D1" (κουμπί ρύθμισης θερμοκρασίας "-") ή το κουμπί "D2" (κουμπί ρύθμισης θερμοκρασίας "+") για να ρυθμίσετε τη θερμοκρασία του καταψύκτη, η ένδειξη "a1" (ένδειξη Auto Set) θα αναβοσβήσει με έναν προειδοποιητικό ήχο για να υποδείξει ότι αυτή η λειτουργία δεν μπορεί να εκτελεστεί.

Στη λειτουργία Auto Set, λόγω διαφορετικών μεθόδων ελέγχου, εάν έχει ρυθμιστεί η λειτουργία "Super-Cool", "Super-Freeze" ή "Holiday", η ένδειξη "a1" (λειτουργία Auto Set) σβήνει και στη συνέχεια γίνεται αυτόματα έξοδος από τη λειτουργία Auto Set.

## Λειτουργία Holiday

Η λειτουργία Holiday έχει σχεδιαστεί για να μην χρησιμοποιείτε το ψυγείο για μεγάλο χρονικό διάστημα. Όταν είναι ενεργοποιημένη η λειτουργία Holiday, ο καταψύκτης βρίσκεται υπό κανονικό έλεγχο και η θερμοκρασία του ψυγείου ρυθμίζεται αυτόματα στους 17°C. Η πραγματική θερμοκρασία δεν είναι υψηλότερη από 17°C, γεγονός που αποτρέπει την περίεργη μυρωδιά που προκαλείται από την υπερβολική θερμοκρασία, ενώ ταυτόχρονα συμβάλλει στη μείωση της κατανάλωσης ενέργειας.

1. Όταν η οθόνη είναι ξεκλειδωτη, πατήστε το κουμπί "B" (επιλογέας λειτουργίας Holiday), το ηχητικό σήμα ακούγεται μία φορά, η ένδειξη "b" (λειτουργία Holiday) ανάβει και, στη συνέχεια, η λειτουργία Holiday ενεργοποιείται.
2. Όταν ανάψει η ένδειξη "b" (λειτουργία Holiday), πατήστε το κουμπί "B" (επιλογέας λειτουργίας Holiday), το ηχητικό σήμα ακούγεται μία φορά, η ένδειξη "b" (λειτουργία Holiday) σβήνει και, στη συνέχεια, η λειτουργία Holiday απενεργοποιείται.





## Σημείωση

Στην λειτουργία Holiday, η θερμοκρασία του ψυγείου δεν μπορεί να προσαρμοστεί. Εάν πατήσετε το κουμπί "D1" (κουμπί ρύθμισης θερμοκρασίας "-") ή το κουμπί "D2" (κουμπί ρύθμισης θερμοκρασίας "+") για να ρυθμίσετε τη θερμοκρασία του ψυγείου, η ένδειξη "b" (ένδειξη Holiday) θα αναβοσβήσει με έναν προειδοποιητικό ήχο για να υποδείξει ότι αυτή η λειτουργία δεν μπορεί να εκτελεστεί.

Πριν χρησιμοποιήσετε τη λειτουργία Holiday, αδειάστε το ψυγείο για να αποφύγετε την αλλοίωση των τροφίμων. Όταν είναι ενεργοποιημένη η λειτουργία Holiday, δεν είναι δυνατή η ταυτόχρονη ενεργοποίηση της λειτουργίας "Auto Set" ή της λειτουργίας "Super-Cool".

### Λειτουργία Super-Cool

1. Όταν η οθόνη είναι ξεκλειδωτή, πατήστε το κουμπί "F" (επιλογέας Super-Cool), το ηχητικό σήμα ακούγεται μία φορά, η ένδειξη "f" (λειτουργία Super-Cool) ανάβει και, στη συνέχεια, η λειτουργία Super-Cool ενεργοποιείται.
2. Όταν ανάψει η ένδειξη "f" (λειτουργία Super-Cool), πατήστε το κουμπί "F" (επιλογέας Super-Cool), το ηχητικό σήμα ακούγεται μία φορά, η ένδειξη "f" (λειτουργία Super-Cool) σβήνει και στη συνέχεια η λειτουργία Super-Cool απενεργοποιείται.
3. Αφού ενεργοποιηθεί η λειτουργία Super-Cool, το ψυγείο θα την απενεργοποιήσει αυτόματα όταν φτάσει στην καθορισμένη κατάσταση. Εάν θέλετε να βγείτε από τη λειτουργία χειροκίνητα, μπορείτε να πατήσετε το κουμπί "F" (επιλογέας Super-Cool) για να την απενεργοποιήσετε.



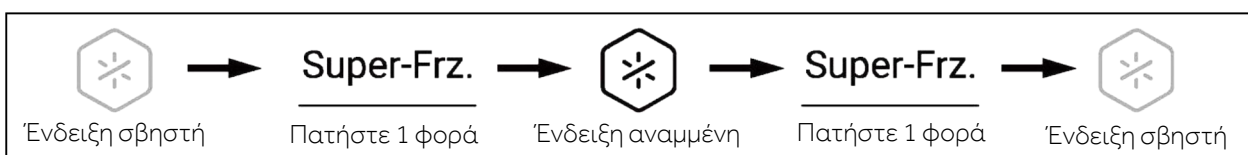
## Σημείωση

Όταν η λειτουργία Super-cool είναι ενεργοποιημένη, η θερμοκρασία του ψυγείου δεν μπορεί να προσαρμοστεί. Εάν πατήσετε το κουμπί "D1" (κουμπί ρύθμισης θερμοκρασίας "-") ή το κουμπί "D2" (κουμπί ρύθμισης θερμοκρασίας "+") για να ρυθμίσετε τη θερμοκρασία του ψυγείου, η ένδειξη "f" (ένδειξη Super-Cool) θα αναβοσβήσει με έναν προειδοποιητικό ήχο για να υποδείξει ότι αυτή η λειτουργία δεν μπορεί να εκτελεστεί.

Όταν η λειτουργία Super-cool είναι ενεργοποιημένη, δεν μπορεί να ενεργοποιηθεί ταυτόχρονα η λειτουργία Auto-set ή Holiday λόγω διαφορετικών λειτουργιών ελέγχου. Όταν επιλέγετε μια λειτουργία που έρχεται σε διένεξη με μια άλλη λειτουργία, η αρχική λειτουργία θα τερματίζεται αυτόματα.

## Λειτουργία Super-Freeze (Super-Frz)

1. Όταν η οθόνη είναι ξεκλειδωτή, πατήστε το κουμπί "E" (επιλογέας Super-Frz.), το ηχητικό σήμα ακούγεται μία φορά, η ένδειξη "e1" (λειτουργία Super-Freeze) ανάβει και, στη συνέχεια, η λειτουργία Super-Freeze ενεργοποιείται.
2. Όταν ανάψει η ένδειξη "e1" (λειτουργία Super-Freeze), πατήστε το κουμπί "E" (επιλογέας Super-Frz.), το ηχητικό σήμα ακούγεται μία φορά, η ένδειξη "e1" (λειτουργία Super-Freeze) σβήνει και, στη συνέχεια, η λειτουργία Super-Freeze απενεργοποιείται.
3. Αφού ενεργοποιηθεί η λειτουργία Super-Freeze, το ψυγείο θα την απενεργοποιήσει αυτόματα όταν φτάσει στην καθορισμένη κατάσταση. Εάν θέλετε να βγείτε από τη λειτουργία χειροκίνητα, μπορείτε να πατήσετε το κουμπί "E" (επιλογέας Super-Frz.) για να την απενεργοποιήσετε.



### Σημείωση

Όταν η λειτουργία Super-Freeze είναι ενεργοποιημένη, η θερμοκρασία του καταψύκτη δεν μπορεί να προσαρμοστεί. Εάν πατήσετε το κουμπί "D1" (κουμπί ρύθμισης θερμοκρασίας "-") ή το κουμπί "D2" (κουμπί ρύθμισης θερμοκρασίας "+") για να ρυθμίσετε τη θερμοκρασία του καταψύκτη, η ένδειξη "e1" (b) (ένδειξη Super-Frz.) θα αναβοσβήσει με έναν προειδοποιητικό ήχο για να υποδείξει ότι αυτή η λειτουργία δεν μπορεί να εκτελεστεί.

Όταν η λειτουργία Super-Freeze είναι ενεργοποιημένη, δεν μπορεί να ενεργοποιηθεί ταυτόχρονα η λειτουργία Auto-set λόγω διαφορετικών λειτουργιών ελέγχου. Όταν επιλέγετε μια λειτουργία που έρχεται σε διένεξη με μια άλλη λειτουργία, η αρχική λειτουργία θα τερματίζεται αυτόματα.

## Λειτουργία φίλτρου

Όταν το ψυγείο λειτουργεί για έξι μήνες, η ένδειξη υπενθύμισης "c3" (λειτουργία επαναφοράς φίλτρου) θα ανάψει για να υπενθυμίσει στους χρήστες να αντικαταστήσουν το φίλτρο με ένα νέο. Όταν αντικατασταθεί το φίλτρο, κρατήστε πατημένο το κουμπί "C" (επιλογέας λειτουργίας επαναφοράς φίλτρου) για 3 δευτερόλεπτα για να ακυρώσετε την υπενθύμιση και η μέτρηση θα επανέλθει με το ηχητικό σήμα.

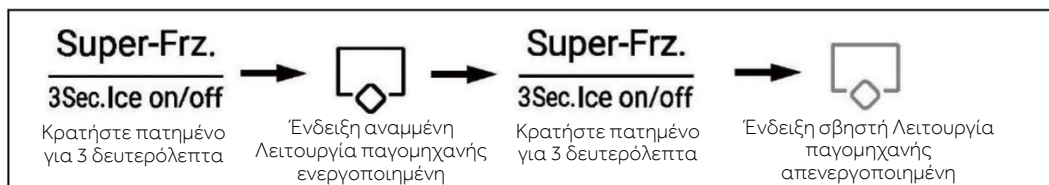


### Σημείωση

Η κανονική διάρκεια ζωής του φίλτρου είναι έξι μήνες. Συνιστάται η αντικατάσταση του φίλτρου κάθε έξι μήνες.

## Λειτουργία παγομηχανής

1. Σε κατάσταση ξεκλειδώματος, πατήστε το κουμπί "E" (επιλογέας λειτουργίας παγομηχανής) παρατεταμένα για 3 δευτερόλεπτα, το ηχητικό σήμα ακούγεται μία φορά, η ένδειξη "e2" (λειτουργία παγομηχανής) ανάβει και στη συνέχεια η λειτουργία παγομηχανής ενεργοποιείται.
2. Όταν ανάψει η ένδειξη "e2" (λειτουργία παγομηχανής), πατήστε το κουμπί "E" (επιλογέας λειτουργίας παγομηχανής) παρατεταμένα για 3 δευτερόλεπτα, το ηχητικό σήμα ακούγεται μία φορά, η ένδειξη "e2" (λειτουργία παγομηχανής) σβήνει και στη συνέχεια η λειτουργία παγομηχανής απενεργοποιείται.



## Σημείωση

Όταν η εφαρμογή ενεργοποιείται, η παγομηχανή είναι εξ ορισμού απενεργοποιημένη.

Όταν δεν χρειάζεστε παγάκια για μεγάλο χρονικό διάστημα, απενεργοποιήστε τη λειτουργία παγομηχανής, αδειάστε το δοχείο και τοποθετήστε το καθαρισμένο δοχείο.

Η παγομηχανή μπορεί να διαμορφωθεί μόνο με τον κατασκευαστή ή να αγοραστεί από τον αντιπρόσωπο υπηρεσιών του.

## Λειτουργία υδροληψίας

Σε οποιαδήποτε κατάσταση (κλειδώματος ή ξεκλειδώματος), πατήστε το κουμπί "H1" (επιλογέας λειτουργίας υδροληψίας), το ηχητικό σήμα ακούγεται μία φορά, η ένδειξη "h1" (λειτουργία υδροληψίας) ανάβει και, στη συνέχεια, η λειτουργία υδροληψίας ενεργοποιείται.

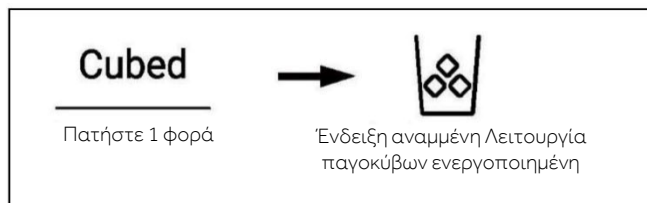


## Σημείωση

1. Όταν φωτίζεται η ένδειξη "h1" (λειτουργία υδροληψίας), η ένδειξη "h2" (λειτουργία παγοκύβων) και η ένδειξη "h3" (λειτουργία θρυμματισμένου πάγου) σβήνουν. Αφού πιέσετε το πτερύγιο του διανομέα, το νερό θα ρέει από τη θύρα εισόδου.
2. Όταν ο χρόνος υδροληψίας φτάσει στα 150 δευτερόλεπτα, θα ακουστεί ένα ηχητικό σήμα και το ψυγείο θα διατηρήσει το νερό μέχρι ο χρόνος να φτάσει στα 180 δευτερόλεπτα, το νερό θα διακοπεί και η βαλβίδα νερού θα εισέλθει στον χρόνο προστασίας των 200 δευτερολέπτων και, στη συνέχεια, η διαδικασία υδροληψίας μπορεί να πραγματοποιηθεί ξανά.
3. Όταν ο αθροιστικός χρόνος υδροληψίας φτάσει τα 5 λεπτά μέσα σε 10 λεπτά, η βαλβίδα νερού εισέρχεται στον χρόνο προστασίας των 10 λεπτών και στη συνέχεια η διαδικασία υδροληψίας μπορεί να πραγματοποιηθεί ξανά.

## Λειτουργία παγοκύβων

Σε οποιαδήποτε κατάσταση (κλειδωματος ή ξεκλειδωματος), πατήστε το κουμπί "H2" (επιλογέας λειτουργίας παγοκύβων), το ηχητικό σήμα ακούγεται μία φορά, η ένδειξη "h2" (λειτουργία παγοκύβων) ανάβει και, στη συνέχεια, η λειτουργία παγοκύβων ενεργοποιείται.

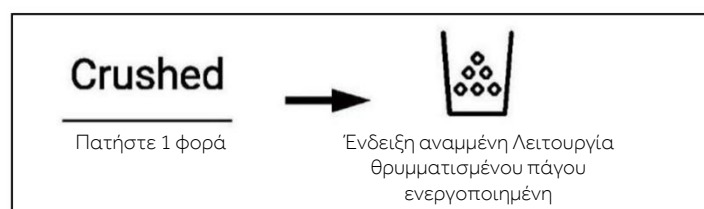


## Σημείωση

1. Όταν ανάβει η ένδειξη "h2" (λειτουργία παγοκύβων), οι ενδείξεις "h1" (λειτουργία υδροληψίας) και "h3" (λειτουργία θρυμματισμένου πάγου) σβήνουν. Αφού πατηθεί ο μικροδιακόπτης του διανομέα, τα παγάκια θα βγουν από τη θύρα εισόδου.
2. Όταν η παγομηχανή συνδέεται για πρώτη φορά στο ηλεκτρικό ρεύμα για να λειτουργήσει, η λειτουργία για παγάκια είναι απενεργοποιημένη από προεπιλογή.
3. Πατήστε τον μικροδιακόπτη του διανομέα, το φως του ανάβει και το κάλυμμά του ανοίγει. Στη συνέχεια, το μοτέρ σύνθλιψης πάγου αρχίζει να περιστρέφεται αριστερόστροφα για να σπρώξει τα παγάκια. Αφήστε ελεύθερο τον μικροδιακόπτη του διανομέα, το μοτέρ σύνθλιψης πάγου σταματάει, το κάλυμμα του διανομέα θα κλείσει και η λυχνία θα σβήσει μετά από 5 δευτερόλεπτα.
4. Όταν η λειτουργία για παγάκια είναι ενεργή και ο χρόνος είναι μεγαλύτερος από 50 δευτερόλεπτα, ένα ηχητικό σήμα (χτύπημα) θα αρχίσει να ειδοποιεί τους χρήστες να την τερματίσουν. Όταν ο χρόνος φτάσει στο 1 λεπτό, η λειτουργία για παγάκια σταματάει αναγκαστικά και λειτουργεί και πάλι όταν πατηθεί ο διακόπτης την επόμενη φορά.
5. Κατά τη διάρκεια της λειτουργίας για παγάκια, εάν ανοίξει η πόρτα του ψυγείου, το μοτέρ που δημιουργεί πάγο θα σταματήσει, το κάλυμμα του διανομέα θα κλείσει, το φως του διανομέα θα σβήσει και η λειτουργία για παγάκια θα σταματήσει.
6. Απαγορεύεται να βγάλετε πάγο με την πόρτα του ψυγείου ανοιχτή.

## Λειτουργία θρυμματισμένου πάγου

Σε οποιαδήποτε κατάσταση (κλειδωματος ή ξεκλειδωματος), πατήστε το κουμπί "H3" (επιλογέας λειτουργίας θρυμματισμένου πάγου), το ηχητικό σήμα ακούγεται μία φορά, η ένδειξη "h3" (λειτουργία θρυμματισμένου πάγου) ανάβει και, στη συνέχεια, η λειτουργία θρυμματισμένου πάγου ενεργοποιείται.



## Σημείωση

Όταν ανάβει η ένδειξη "h3" (λειτουργία θρυμματισμένου πάγου), οι ενδείξεις "h1" (λειτουργία υδροληψίας) και "h2" (λειτουργία παγοκύβων) σβήνουν. Αφού πατηθεί ο μικροδιακόπτης του διανομέα, ο θρυμματισμένος πάγος θα βγει από τη θύρα εισόδου.

Πατήστε τον μικροδιακόπτη του διανομέα, το φως του ανάβει και το κάλυμμά του ανοίγει. Στη συνέχεια, το μοτέρ σύνθλιψης πάγου αρχίζει να περιστρέφεται δεξιόστροφα για να σπρώξει τα παγάκια. Αφήστε ελεύθερο τον μικροδιακόπτη του διανομέα. Το μοτέρ θραύσης πάγου σταματάει, το κάλυμμα του διανομέα θα κλείσει και η λυχνία θα σβήσει μετά από 5 δευτερόλεπτα.

Όταν η λειτουργία θρυμματισμένου πάγου είναι ενεργή και ο χρόνος είναι μεγαλύτερος από 50 δευτερόλεπτα, ένα ηχητικό σήμα (χτύπημα) θα αρχίσει να ειδοποιεί τους χρήστες να την τερματίσουν. Όταν ο χρόνος φτάσει στο 1 λεπτό, η λειτουργία θρυμματισμένου πάγου σταματάει αναγκαστικά και λειτουργεί και πάλι όταν πατηθεί ο διακόπτης την επόμενη φορά.

Κατά τη διάρκεια της λειτουργίας θρυμματισμένου πάγου, εάν ανοίξει η πόρτα του ψυγείου, το μοτέρ που δημιουργεί πάγο θα σταματήσει, το κάλυμμα του διανομέα θα κλείσει, το φως του διανομέα θα σβήσει και η λειτουργία θρυμματισμένου πάγου θα σταματήσει. Απαγορεύεται η σύνθλιψη πάγου με ανοιχτή την πόρτα του ψυγείου.

### Συναγερμός ανοίγματος πόρτας

Εάν κάποια πόρτα παραμείνει ανοιχτή για πολύ ώρα ή δεν είναι καλά κλεισμένη, το ψυγείο θα εκπέμπει ένα ηχητικό σήμα σε τακτά χρονικά διαστήματα για να σας υπενθυμίσει να κλείσετε την πόρτα εγκαίρως.

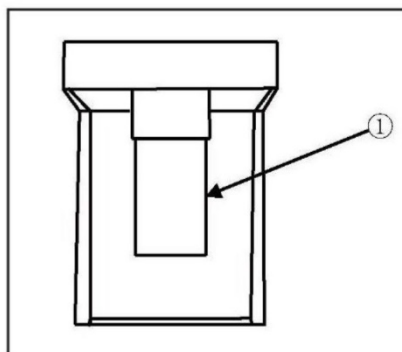
### Μνήμη απενεργοποίησης

Διατηρείται η κατάσταση λειτουργίας κατά τη στιγμή της απενεργοποίησης. Μετά την εκ νέου ενεργοποίηση, η συσκευή συνεχίζει να λειτουργεί σύμφωνα με τη ρύθμιση πριν από την απενεργοποίηση.

### Χρήση του διανομέα πάγου και νερού

Πατήστε επανειλημμένα το κουμπί επιλογής του διανομέα μέχρι να ανάψει η λυχνία πάνω από την ένδειξη που θέλετε.

Πιέστε το πτερύγιο του διανομέα (1) με ένα ποτήρι ή άλλο δοχείο για να διανείμετε παγάκια, νερό ή θρυμματισμένο πάγο.

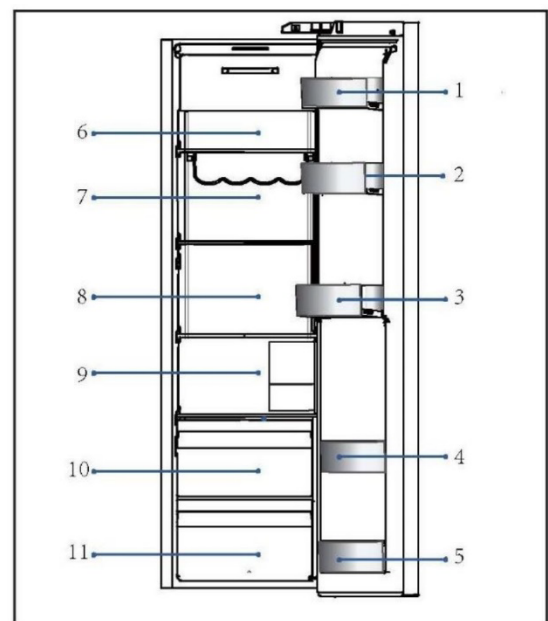


## ΣΥΜΒΟΥΛΕΣ ΓΙΑ ΤΗΝ ΑΠΟΘΗΚΕΥΣΗ ΝΩΠΙΩΝ ΤΡΟΦΙΜΩΝ

### Αποθήκευση στον θάλαμο ψυγείου

1. Διατηρήστε τη θερμοκρασία του ψυγείου σας κάτω από 5° C.
2. Το ζεστό φαγητό πρέπει να ψύχεται σε θερμοκρασία δωματίου πριν από την αποθήκευση στη συσκευή.
3. Τα τρόφιμα που αποθηκεύονται στο ψυγείο πρέπει να πλένονται και να στεγνώνουν πριν από την αποθήκευση.
4. Τα τρόφιμα προς αποθήκευση θα πρέπει να σφραγίζονται σωστά για να αποφευχθούν δυσοσμίες ή αλλοιώσεις γεύσης.
5. Μην αποθηκεύετε υπερβολικές ποσότητες τροφίμων. Αφήστε κενά μεταξύ των τροφίμων για να επιτρέψετε στον κρύο αέρα να ρέει γύρω τους, για καλύτερη και πιο ομοιογενή ψύξη.
6. Τα τρόφιμα που τρώγονται καθημερινά πρέπει να αποθηκεύονται στο μπροστινό μέρος του ραφιδιού.
7. Αφήστε ένα κενό μεταξύ τροφίμων και εσωτερικών τοιχωμάτων, επιτρέποντας τη ροή του αέρα. Ιδιαίτερως, μην αποθηκεύετε τρόφιμα σε επαφή με το πίσω τοίχωμα: τα τρόφιμα θα μπορούσαν να παγώσουν σε επαφή με το πίσω τοίχωμα. Αποφύγετε την άμεση επαφή των τροφίμων (ιδιαίτερα των ελαιωδών ή όξινων τροφίμων) με την εσωτερική επένδυση, καθώς το λάδι / οξύ μπορεί να διαβρώσει την εσωτερική επένδυση. Καθαρίστε τη λιπαρή / όξινη βρωμιά όποτε βρεθεί.
8. Να αποψύχετε τα κατεψυγμένα τρόφιμα στο χώρο αποθήκευσης του ψυγείου. Με αυτόν τον τρόπο, μπορείτε να χρησιμοποιήσετε τα κατεψυγμένα τρόφιμα για να μειώσετε τη θερμοκρασία στον θάλαμο και να εξοικονομήσετε ενέργεια.
9. Η διαδικασία παλαίωσης φρούτων και λαχανικών όπως κολοκυθάκια, πεπόνια, παπάγια, μπανάνα, ανανάς κλπ., μπορεί να επιταχυνθεί στο ψυγείο. Ως εκ τούτου, δεν συνιστάται η αποθήκευσή τους στο ψυγείο. Ωστόσο, η ωρίμανση (γήρανση) των φρούτων που έχουν έντονη τάση ωρίμανσης μπορεί να επιταχυνθεί για μια συγκεκριμένη περίοδο. Τα κρεμμύδια, το σκόρδο, το τζίντζερ και άλλα λαχανικά που διαθέτουν ρίζες θα πρέπει επίσης να αποθηκεύονται σε θερμοκρασία δωματίου.
10. Οι δυσάρεστες οσμές μέσα στο ψυγείο είναι ένα σημάδι ότι κάτι έχει χυθεί και απαιτείται καθαρισμός. Βλέπε ΦΡΟΝΤΙΔΑ ΚΑΙ ΚΑΘΑΡΙΣΜΟΣ.
11. Διαφορετικά είδη τροφίμων πρέπει να τοποθετούνται σε διαφορετικές περιοχές ανάλογα με τις ιδιότητές τους:

- 1-Βούτυρο, τυρί κ.λπ.
- 2-Αυγά, κονσερβοποιημένα τρόφιμα, μπαχαρικά κλπ.
- 3/4/5-Ποτά και εμφιαλωμένα τρόφιμα.
- 6-Τουρσί, κονσερβοποιημένα τρόφιμα κ.λπ.
- 7/8-Προϊόντα με βάση το κρέας, ψάρια, ωμά τρόφιμα
- 9-Κονσέρβες, γαλακτοκομικά προϊόντα κ.λπ.
- 10-Φρούτα, λαχανικά, μαρούλια κ.λπ.
- 11-Μαγειρευτά κρέατα, λουκάνικα κλπ.



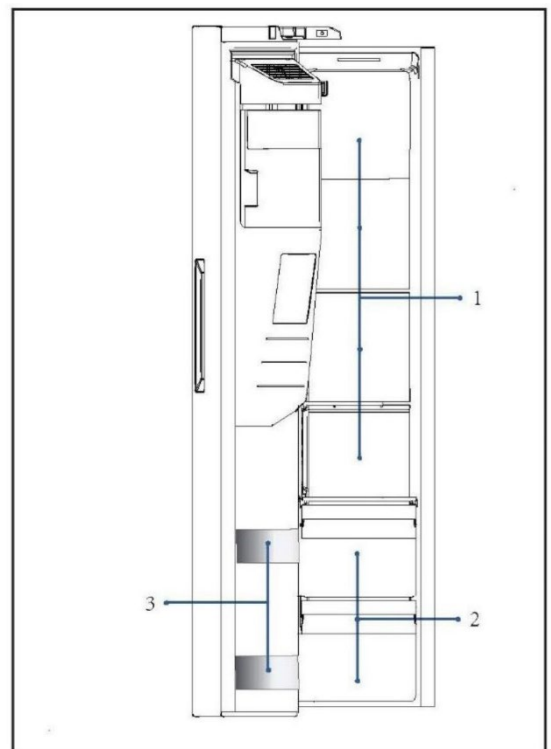


## ΣΥΜΒΟΥΛΕΣ ΓΙΑ ΤΗΝ ΑΠΟΘΗΚΕΥΣΗ ΝΩΠΪΩΝ ΤΡΟΦΪΜΩΝ

### Αποθήκευση στον θάλαμο καταψύκτη

1. Διατηρήστε τη θερμοκρασία καταψύκτη στους  $-18^{\circ}\text{C}$ .
2. 12 ώρες πριν την κατάψυξη πρόσθετων προϊόντων ανάψτε τη λειτουργία Super-freeze για μικρές ποσότητες τροφίμων επαρκούν 4-6 ώρες.
3. Το ζεστό φαγητό πρέπει να ψύχεται σε θερμοκρασία δωματίου πριν από την αποθήκευση στον θάλαμο καταψύκτη.
4. Τα τρόφιμα που κόβονται σε μικρές μερίδες θα παγώσουν γρηγορότερα και θα είναι πιο εύκολο να ξεπαγώσουν και να μαγειρευτούν. Το συνιστώμενο βάρος για κάθε μερίδα είναι μικρότερο από 2,5 κιλά.
5. Είναι καλύτερα να συσκευάσετε το φαγητό πριν το βάλετε στον καταψύκτη. Το εξωτερικό της συσκευασίας πρέπει να είναι στεγνό για να αποφεύγονται οι σακούλες που κολλάνε μεταξύ τους. Τα υλικά συσκευασίας πρέπει να είναι χωρίς οσμές, αεροστεγή, μη δηλητηριώδη και μη τοξικά.
6. Για να αποφύγετε τη λήξη των περιόδων αποθήκευσης, παρακαλείστε να σημειώσετε την ημερομηνία κατάψυξης, την προθεσμία και το όνομα του τροφικού στη συσκευασία ανάλογα με τις περιόδους αποθήκευσης διαφορετικών τροφίμων.
7. **ΠΡΟΕΙΔΟΠΟΙΗΣΗ !:** Οξύ, αλκάλια και αλάτι κ.λπ. θα μπορούσαν να διαβρώσουν την εσωτερική επιφάνεια του καταψύκτη. Μην τοποθετείτε τα τρόφιμα που έχουν αυτές τις ουσίες (π.χ. θαλάσσια ψάρια) απευθείας στην εσωτερική επιφάνεια. Το αλμυρό νερό στην κατάψυξη πρέπει να καθαριστεί αμέσως.
8. Μην υπερβαίνετε τους χρόνους αποθήκευσης τροφίμων που προτείνουν οι κατασκευαστές. Βγάλτε μόνο την απαιτούμενη ποσότητα τροφής από την κατάψυξη.
9. Διαφορετικά είδη τροφίμων πρέπει να τοποθετούνται σε διαφορετικές περιοχές ανάλογα με τις ιδιότητές τους:

- 1- Λιγότερο βαριά προϊόντα, όπως παγωτό, λαχανικά, ψωμί κ.λπ.
- 2- Μεγάλες / βαρύτερες μερίδες φαγητού, όπως μεγάλα κομμάτια κρέατος για ψήσιμο
- 3- Πίτσα κ.λπ.





## ΣΗΜΕΙΩΣΗ: ΑΠΟΘΉΚΕΥΣΗ

1. Διατηρήστε απόσταση μεγαλύτερη από 10 mm μεταξύ των τροφίμων και του αισθητήρα για να διασφαλίσετε το αποτέλεσμα της ψύξης.
2. Αφήστε το χαμηλότερο συρτάρι στη συσκευή όταν αυτή λειτουργεί, προκειμένου να διασφαλιστεί το αποτέλεσμα της ψύξης.
3. Τα τρόφιμα που περιέχουν πάγο (όπως παγωτά κ.λπ.) πρέπει να αποθηκεύονται μέσα στον θάλαμο καταψύκτη αντί για τις μπουκαλοθήκες. Οι μεταβολές της θερμοκρασίας στις οποίες εκτίθενται οι μπουκαλοθήκες, που προκαλούνται από το άνοιγμα και το κλείσιμο της πόρτας, μπορεί να ξεπαγώσουν τα τρόφιμα.
4. Καταναλώστε τα αποψυγμένα τρόφιμα γρήγορα. Τα αποψυγμένα τρόφιμα δεν μπορούν να καταψυχθούν εκ νέου εκτός εάν πρώτα μαγειρευτούν, διαφορετικά μπορεί να γίνουν μη βρώσιμα.
5. Μην τοποθετείτε υπερβολικές ποσότητες νωπών τροφίμων στον θάλαμο κατάψυξης. Ανατρέξτε στην ικανότητα κατάψυξης του καταψύκτη - Δείτε στο ΤΕΧΝΙΚΑ ΔΕΔΟΜΕΝΑ ή δεδομένα στην πινακίδα τύπου.
6. Τα τρόφιμα μπορούν να αποθηκευτούν στον καταψύκτη σε θερμοκρασία τουλάχιστον  $-18^{\circ}\text{C}$  για 2 έως 12 μήνες, ανάλογα με τις ιδιότητές τους (π.χ. κρέας: 3-12 μήνες, λαχανικά: 6-12 μήνες)
7. Κατά την κατάψυξη νωπών τροφίμων, αποφύγετε να τα φέρετε σε επαφή με ήδη κατεψυγμένα τρόφιμα. Κίνδυνος απόψυξης!
8. Αποψύξτε τα κατεψυγμένα τρόφιμα στο ψυγείο. Με αυτόν τον τρόπο, μπορείτε να χρησιμοποιήσετε τα κατεψυγμένα τρόφιμα για να μειώσετε τη θερμοκρασία στον θάλαμο και να εξοικονομήσετε ενέργεια.

### **Κατά την αποθήκευση εμπορικά κατεψυγμένων τροφίμων, ακολουθήστε αυτές τις οδηγίες:**

1. Να ακολουθείτε πάντα τις οδηγίες των κατασκευαστών για το χρονικό διάστημα για το οποίο πρέπει να αποθηκεύετε τρόφιμα. Μην υπερβαίνουμε αυτές τις οδηγίες!
2. Προσπαθήστε να διατηρήσετε το χρονικό διάστημα μεταξύ αγοράς και αποθήκευσης όσο το δυνατόν συντομότερο για να διατηρήσετε την ποιότητα των τροφίμων.
3. Αγοράστε κατεψυγμένα τρόφιμα, τα οποία έχουν αποθηκευτεί σε θερμοκρασία  $-18^{\circ}\text{C}$  ή χαμηλότερη.
4. Αποφύγετε να αγοράζετε τρόφιμα που έχουν πάγο ή δροσοπάγο πάνω στη συσκευασία - Αυτό υποδηλώνει ότι τα προϊόντα μπορεί να έχουν αποψυχθεί μερικώς και να έχουν καταψυχθεί ξανά κάποια στιγμή - οι αυξήσεις της θερμοκρασίας επηρεάζουν την ποιότητα των τροφίμων.



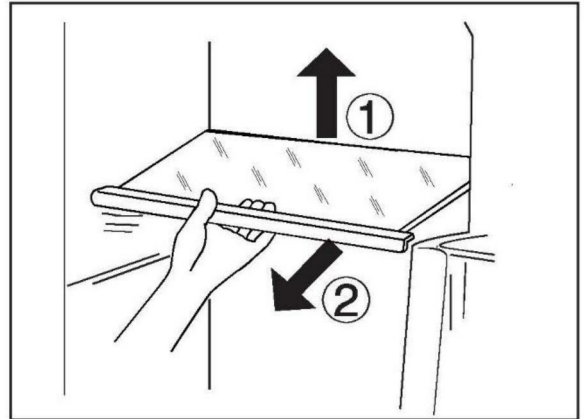


## Συμβουλές εξοικονόμησης ενέργειας

- ▶ Βεβαιωθείτε ότι η συσκευή αερίζεται σωστά (δείτε ΕΓΚΑΤΑΣΤΑΣΗ).
- ▶ Μην εγκαθιστάτε τη συσκευή σε σημείο με άμεσο ηλιακό φως ή κοντά σε πηγές θερμότητας (π.χ. σόμπες, θερμαντήρες).
- ▶ Αποφύγετε την άσκοπα χαμηλή θερμοκρασία στη συσκευή. Η κατανάλωση ενέργειας αυξάνεται όσο χαμηλότερη είναι η θερμοκρασία στη συσκευή.
- ▶ Λειτουργίες όπως το POWER-FREEZE καταναλώνουν περισσότερη ενέργεια.
- ▶ Αφήστε το ζεστό φαγητό να κρυώσει πριν το τοποθετήσετε μέσα στη συσκευή.
- ▶ Να ανοίγετε την πόρτα της συσκευής όσο το δυνατόν λιγότερες φορές και για όσο πιο σύντομα γίνεται.
- ▶ Μην γεμίζετε και φορτώνετε υπερβολικά τη συσκευή για να αποφύγετε τη φραγή του αέρα χαμηλά.
- ▶ Αποφύγετε το να υπάρχει αέρας μέσα στη συσκευασία των τροφίμων.
- ▶ Διατηρείτε τα λάστιχα της πόρτας καθαρά, ώστε η πόρτα να κλείνει πάντα σωστά.
- ▶ Να αποψύχετε τα κατεψυγμένα τρόφιμα στο χώρο αποθήκευσης του ψυγείου.
- ▶ Η διαμόρφωση εξοικονόμησης ενέργειας απαιτεί τη διατήρηση του συρταριού, του κουτιού τροφίμων και των ραφιών όπως ακριβώς είναι, δηλαδή στην εργοστασιακή τους κατάσταση, και την τοποθέτηση των τροφίμων με τέτοιο τρόπο, ώστε να μην εμποδίζεται η έξοδος αεραγωγού.

## Ρυθμιζόμενα ράφια

1. Το ύψος των ραφιών μπορεί να ρυθμιστεί ώστε να ταιριάζει στις ανάγκες αποθήκευσης.
2. Για να μετακινήσετε ένα ράφι, αφαιρέστε το πρώτα ανυψώνοντας την οπίσθια άκρη του ① και τραβώντας το έξω ②.
3. Για να το επανατοποθετήσετε, τοποθετήστε το στις υποδοχές και στις δύο πλευρές και σπρώξτε το στην πίσω θέση μέχρι το πίσω μέρος του ραφιού να στερεωθεί στις πλαϊνές σχισμές

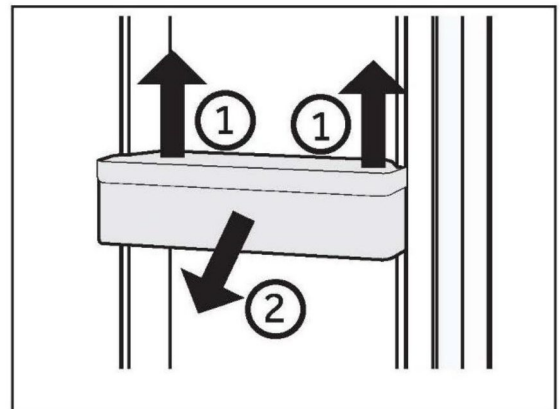


## ΕΙΔΟΠΟΙΗΣΗ

Βεβαιωθείτε ότι όλα τα άκρα ενός ραφιού είναι επίπεδα.

## Αφαιρούμενες σχάρες πόρτας/αφαιρούμενη μπουκαλοθήκη

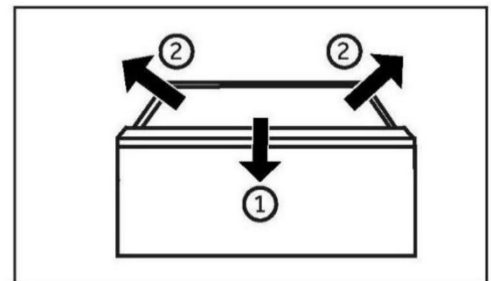
1. Τα ράφια/μπουκαλοθήκες πόρτας μπορούν να αφαιρεθούν για καθαρισμό:
2. Τοποθετήστε τα χέρια σε κάθε πλευρά των ραφιών/μπουκαλοθηκών, σηκώστε προς τα πάνω ① και τραβήξτε προς τα έξω ②.
3. Για την εισαγωγή των ραφιών/μπουκαλοθηκών πόρτας, τα παραπάνω βήματα πραγματοποιούνται με αντίστροφη σειρά



## Αφαιρούμενο συρτάρι

Για να αφαιρέσετε το συρτάρι προς τα έξω, τραβήξτε προς τα έξω στο μέγιστο βαθμό ①, σηκώστε και αφαιρέστε ②.

Για την τοποθέτηση του συρταριού, τα παραπάνω βήματα γίνονται με αντίστροφη σειρά.



## Δοχείο πάγου

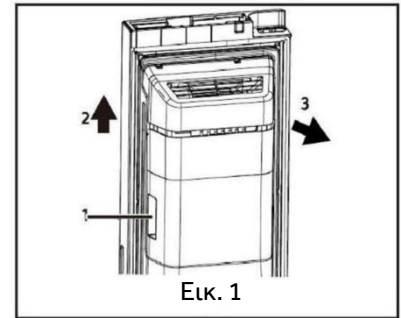
### Διακοπή της παραγωγής πάγου

Εάν δεν χρειάζεται πάγος ή νερό για μεγάλο χρονικό διάστημα, η βαλβίδα μεταξύ της παροχής νερού και της συσκευής μπορεί να κλείσει.

Το κουτί πάγου πρέπει να καθαριστεί, να στεγνώσει και να τοποθετηθεί ξανά στη συσκευή για να αποτραπεί η δημιουργία οσμών.

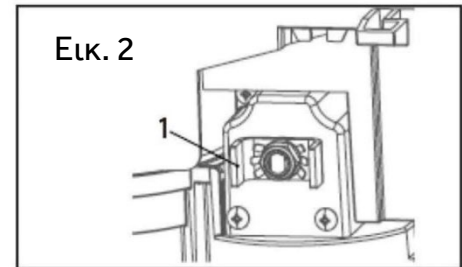
### Αφαίρεση του δοχείου πάγου

1. Πιάστε και τις δύο πλευρικές λαβές.
2. Σηκώστε το δοχείο προς τα πάνω.
3. Τραβήξτε το δοχείο έξω.



### Επανατοποθέτηση του δοχείου πάγου

Για την επανατοποθέτηση του δοχείου πάγου, το υποστήριγμα σχήματος U πίσω από το δοχείο πάγου (1 στην Εικ. 2) πρέπει να ευθυγραμμιστεί με την αντίστοιχη μεταλλική δομή. Ακολουθήστε τα βήματα από την Εικ. 1 με την αντίστροφη σειρά.



### ΕΙΔΟΠΟΙΗΣΗ

Η υγρασία μπορεί να συμπυκνωθεί και να παγώσει το δοχείο πάγου στη θέση του.



### ΠΡΟΕΙΔΟΠΟΙΗΣΗ!

Αποσυνδέστε τη συσκευή από την τροφοδοσία πριν από τον καθαρισμό.

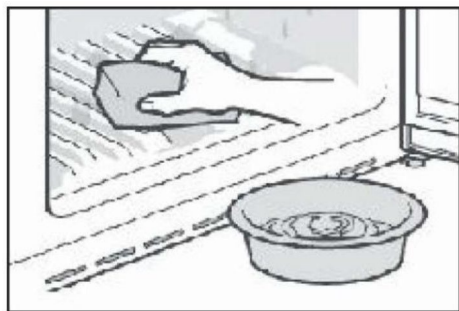
#### Καθαρισμός

Καθαρίστε τη συσκευή μόνο όταν υπάρχουν αποθηκευμένα λίγα ή καθόλου τρόφιμα. Η συσκευή πρέπει να καθαρίζεται κάθε τέσσερις εβδομάδες για καλή συντήρηση και για την αποφυγή αποθηκευμένων τροφίμων με δυσάρεστες οσμές.



### ΠΡΟΕΙΔΟΠΟΙΗΣΗ!

- ▶ Μην καθαρίζετε τη συσκευή με σκληρές βούρτσες, συρμάτινες βούρτσες, σκόνη απορρυπαντικού, βενζίνη, οξικό αμύλιο, ακετόνη και παρόμοια οργανικά διαλύματα, όξινα ή αλκαλικά διαλύματα. Καθαρίστε με ειδικό απορρυπαντικό ψυγείου για να αποφύγετε ζημιές.
- ▶ Μην ψεκάζετε ή ξεπλένετε τη συσκευή κατά τον καθαρισμό.
- ▶ Μην χρησιμοποιείτε σπρέι νερού ή ατμό για να καθαρίσετε τη συσκευή.
- ▶ Μην καθαρίζετε τα κρύα γυάλινα ράφια με ζεστό νερό. Η απότομη αλλαγή θερμοκρασίας μπορεί να προκαλέσει το σπάσιμο του γυαλιού.
- ▶ Μην αγγίζετε την εσωτερική επιφάνεια του χώρου αποθήκευσης του καταψύκτη, ειδικά με βρεγμένα χέρια, καθώς τα χέρια σας μπορεί να παγώσουν στην επιφάνεια.
- ▶ Σε περίπτωση θέρμανσης ελέγξτε την κατάσταση των κατεψυγμένων αγαθών.



- ▶ Διατηρείτε πάντα το λάστιχο της πόρτας καθαρό.
  - ▶ Καθαρίστε το εσωτερικό και το περίβλημα της συσκευής με ένα σφουγγάρι βρεγμένο σε ζεστό νερό και ουδέτερο απορρυπαντικό.
1. Παρακαλώ τρίψτε το εσωτερικό και το εξωτερικό του ψυγείου, συμπεριλαμβανομένης της σφράγισης των θυρών, της σχάρας της πόρτας, των γυάλινων ραφιών, των κιβωτίων και ούτω καθεξής, με μια μαλακή πετσέτα ή σφουγγάρι βουτηγμένο σε ζεστό νερό (μπορείτε να προσθέσετε ουδέτερο απορρυπαντικό στο ζεστό νερό).
  2. Εάν χυθεί υγρό, αφαιρέστε όλα τα μολυσμένα μέρη, ξεπλύνετε απευθείας με το νερό ροής, στεγνώστε και τοποθετήστε το πίσω στο ψυγείο.
  3. Εάν υπάρχει χυμένη κρέμα (όπως η κρέμα γάλακτος, το παγωτό που λιώνει), αφαιρέστε όλα τα μολυσμένα μέρη, βάλτε στο ζεστό νερό με περίπου 40°C για κάποιο χρονικό διάστημα, στη συνέχεια ξεπλύνετε με το νερό ροής, στεγνώστε και τοποθετήστε το ξανά στο ψυγείο.
  4. Σε περίπτωση που κάποιο μικρό μέρος ή εξάρτημα κολλήσει μέσα στο ψυγείο (ανάμεσα σε ράφια ή συρτάρια), χρησιμοποιήστε μια μικρή μαλακή βούρτσα για να το απελευθερώσετε. Εάν δεν μπορείτε να φτάσετε το εξάρτημα, επικοινωνήστε με την υπηρεσία Haier
- ▶ Ξεπλύνετε και στεγνώστε με μαλακό πανί.
  - ▶ Μην καθαρίζετε κανένα από τα μέρη της συσκευής σε πλυντήριο πιάτων.
  - ▶ Αφήστε τουλάχιστον 5 λεπτά πριν από την επανεκκίνηση της συσκευής, καθώς η συχνή εκκίνηση μπορεί να προκαλέσει ζημιά στον συμπιεστή.

#### Απόψυξη

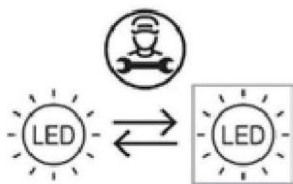
Η απόψυξη των θαλάμων του ψυγείου και της κατάψυξης γίνεται αυτόματα, δεν απαιτείται χειροκίνητη λειτουργία.

## Αντικατάσταση των λυχνιών LED

**ΠΡΟΕΙΔΟΠΟΙΗΣΗ!**

Μην αντικαθιστάτε μόνοι σας τον λαμπτήρα LED, πρέπει να αντικατασταθεί μόνον από τον κατασκευαστή ή από τον εξουσιοδοτημένο αντιπρόσωπο σέρβις.

Ο λαμπτήρας υιοθετεί το LED ως πηγή φωτός του, που χαρακτηρίζεται για τη χαμηλή κατανάλωση ενέργειας και τη μακριά διάρκεια ζωής. Εάν υπάρχει κάποια ανωμαλία, επικοινωνήστε με την εξυπηρέτηση πελατών. Δείτε την ενότητα ΕΞΥΠΗΡΕΤΗΣΗ ΠΕΛΑΤΩΝ.



Πηγή φωτός (μόνο LED) που αντικαθίσταται από επαγγελματία.

Αυτό το προϊόν περιέχει μια πηγή φωτός κατηγορίας ενεργειακής απόδοσης G.

Διαμέρισμα	Τάση	Κατηγορία ενεργειακής απόδοσης	Μοντέλο
Ψυγείο	12V	G	HSW59F18DIMM
Καταψύκτης	12V	G	HSW79F18DIPT
Πίσω λαμπτήρας	12V	G	HSW79F18DIPT

**Καθαρισμός του δοχείου πάγου**

Καθαρίζετε περιοδικά το δοχείο πάγου με ζεστό νερό, ειδικά αν οι παγοκύβοι έχουν μπαγιατέψει και τελματώσει. Στεγνώστε καλά το δοχείο πριν το τοποθετήσετε ξανά στη συσκευή, για να αποφύγετε την προσκόλληση των παγοκύβων στα τοιχώματα.

**Μη χρήση για παρατεταμένο χρονικό διάστημα**

Εάν η συσκευή δεν χρησιμοποιηθεί για μεγάλο χρονικό διάστημα και δεν σκοπεύετε να χρησιμοποιήσετε τη λειτουργία Holiday για το ψυγείο:

- ▶ Αφαιρέσετε τα τρόφιμα.
- ▶ Αποσυνδέστε το καλώδιο τροφοδοσίας.
- ▶ Καθαρίστε τη συσκευή, όπως περιγράφεται παραπάνω.
- ▶ Διατηρήστε τις πόρτες ανοικτές για να αποτρέψετε τη δημιουργία δυσοσμίας στο εσωτερικό.

**ΕΙΔΟΠΟΙΗΣΗ**

Απενεργοποιήστε τη συσκευή μόνο εάν είναι απολύτως απαραίτητο.



### Μετακίνηση της συσκευής

1. Αφαιρέστε όλα τα τρόφιμα και αποσυνδέστε τη συσκευή.
2. Ασφαλίστε τα ράφια και τα άλλα κινητά μέρη στο ψυγείο και στον καταψύκτη με κολλητική ταινία.
3. Μην γέρνετε το ψυγείο περισσότερο από 45° ώστε να αποφύγετε ζημιά στο ψυκτικό σύστημα.



### ΠΡΟΕΙΔΟΠΟΙΗΣΗ!

- ▶ Μη σηκώνετε τη συσκευή από τις λαβές της.
- ▶ Μην τοποθετείτε ποτέ τη συσκευή οριζόντια στο έδαφος.

### Αντικατάσταση του φίλτρου

Το φίλτρο νερού πρέπει να αλλάζεται κάθε περίπου 6 μήνες, όταν ανάβει η ένδειξη "c3" (λειτουργία επαναφοράς φίλτρου).

Για να αγοράσετε ένα ανταλλακτικό φίλτρο νερού:

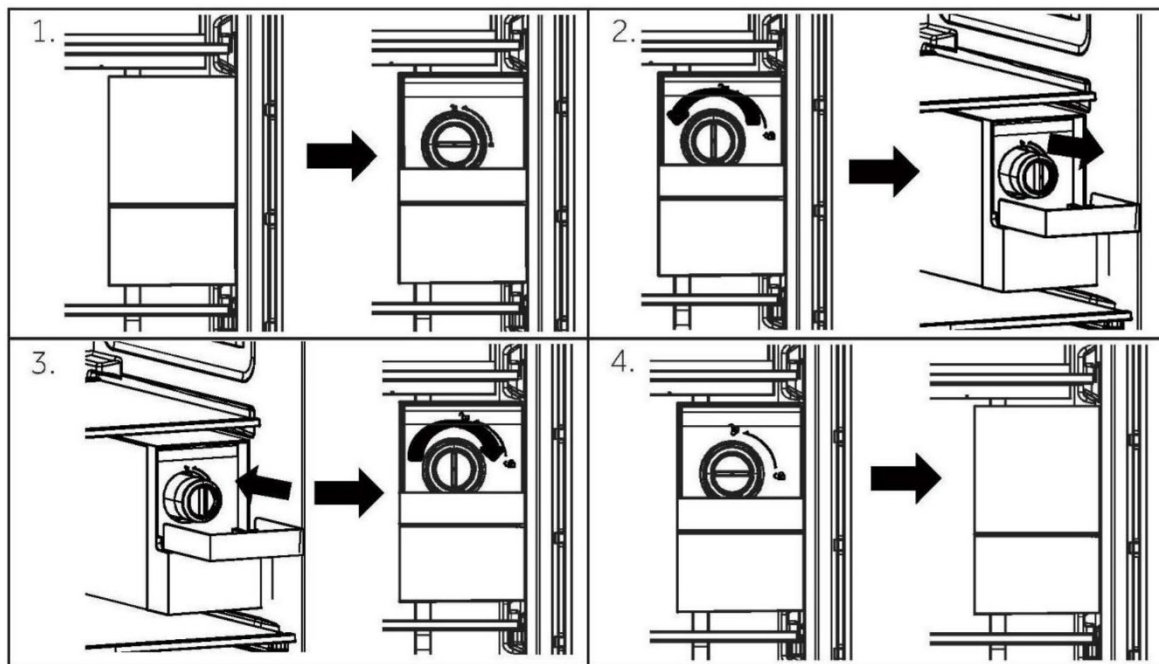
- Χρησιμοποιήστε ανταλλακτικό φυσίγγιο: HRXWF,
- Επισκεφθείτε τον τοπικό αντιπρόσωπο ή διανομέα σας. Για περαιτέρω βοήθεια, επισκεφθείτε την ιστοσελίδα μας στη διεύθυνση [www.haierspares.eu](http://www.haierspares.eu)



### Σημείωση

- ▶ Η αντικατάσταση του φίλτρου νερού προκαλεί αποστράγγιση μικρής ποσότητας νερού (περίπου 1 oz. ή 25 cc).
- ▶ Τυλίξτε ένα πανί γύρω από το μπροστινό άκρο του καλύμματος του φίλτρου νερού για να συλλέξετε το νερό που θα τρέξει. Αφού αφαιρέσετε το φίλτρο νερού, κρατήστε το σε όρθια θέση για να αποτρέψετε τη διαρροή νερού από το φίλτρο νερού.

1. Πιέστε προς τα κάτω το μέσο του επάνω καλύμματος και χαμηλώστε το.
2. Αφαιρέστε το φίλτρο νερού.
3. Αντικαταστήστε με νέο φίλτρο νερού. Τοποθετήστε το νέο φίλτρο στην κεφαλή του φίλτρου και περιστρέψτε το δεξιόστροφα μέχρι το βέλος στο νέο φίλτρο να ευθυγραμμιστεί με το βέλος στην κεφαλή του φίλτρου. Βάλτε το φίλτρο πίσω στη θήκη.
4. Κλείστε το κάλυμμα του φίλτρου νερού.



5. Πατήστε και κρατήστε πατημένο το κουμπί 3Sec. Filter Reset για 3 δευτερόλεπτα.
6. Πραγματοποιήστε διανομή νερού για περίπου 5 λεπτά για να απομακρύνετε τον παγιδευμένο αέρα και τους ρύπους.



## ΠΡΟΣΟΧΗ!

- ▶ Η μη αντικατάσταση των φίλτρων όταν απαιτείται ή η χρήση μη εξουσιοδοτημένων από τη Haier φίλτρων νερού μπορεί να προκαλέσει διαρροή από το φυσίγγιο του φίλτρου και να οδηγήσει σε υλικές ζημιές.

## Φίλτρο νερού

### Μοντέλο: Haier HRXWF

- ▶ Σύστημα πιστοποιημένο από την IAPMO R&T έναντι των προτύπων NSF/ANSI 42, 53, 401 και P473 για τη μείωση των αζώσεων που καθορίζονται στο φύλλο δεδομένων απόδοσης και στο [iapmort.org](http://iapmort.org).
- ▶ Η πραγματική απόδοση μπορεί να διαφέρει ανάλογα με τις τοπικές συνθήκες νερού.

## Οδηγίες εφαρμογής/παράμετροι παροχής νερού

Ροή υπηρεσίας: 0,5 gpm (1,89 lpm)  
 Παροχή νερού: Πόσιμο νερό  
 Πίεση νερού: 25-120 psi (172-827 kPa)  
 Θερμοκρασία νερού: 0,6°C-38°C  
 Χωρητικότητα: 170 γαλόνια (643,5 λίτρα)





Είναι σημαντικό να τηρούνται οι συνιστώμενες από τον κατασκευαστή απαιτήσεις εγκατάστασης, συντήρησης και αντικατάστασης φίλτρων, ώστε το προϊόν να λειτουργεί όπως διαφημίζεται. Ανατρέξτε στο εγχειρίδιο εγκατάστασης για πληροφορίες σχετικά με την εγγύηση.

### Σημείωση

Η δοκιμή διεξήχθη υπό τυπικές εργαστηριακές συνθήκες και η πραγματική απόδοση μπορεί να διαφέρει. Ανταλλακτικό φυσιγγίο: HRXWF Για το εκτιμώμενο κόστος της αντικατάστασης στοιχείων, επισκεφθείτε τον ιστότοπό μας στη διεύθυνση [www.haierespares.eu](http://www.haierespares.eu).

### ΠΡΟΕΙΔΟΠΟΙΗΣΗ!

- ▶ Για να μειώσετε τον κίνδυνο που σχετίζεται με την κατάποση μολυσματικών ουσιών:
- ▶ Μην χρησιμοποιείτε νερό που είναι μικροβιολογικά μη ασφαλές ή άγνωστης ποιότητας χωρίς επαρκή απολύμανση πριν και μετά το σύστημα. Τα συστήματα που είναι πιστοποιημένα για μείωση κύστεων μπορούν να χρησιμοποιηθούν σε απολυμασμένο νερό που μπορεί να περιέχει φιλτραρισμένες κύστες.

### Σημείωση

**Για να μειώσετε τον κίνδυνο διαρροής νερού ή υπερχειλίσης και να εξασφαλίσετε τη βέλτιστη απόδοση του φίλτρου:**

- ▶ Διαβάστε και ακολουθήστε τις οδηγίες χρήσης πριν από την εγκατάσταση και τη χρήση του συστήματος.
- ▶ Η εγκατάσταση και η χρήση ΠΡΕΠΕΙ να συμμορφώνονται με όλους τους κρατικούς και τοπικούς κώδικες υδραυλικών εγκαταστάσεων.
- ▶ Μην εγκαθιστάτε τη συσκευή, εάν η πίεση του νερού υπερβαίνει τα 120 psi (827 kPa). Εάν η πίεση του νερού υπερβαίνει τα 80 psi (552 kPa), πρέπει να εγκαταστήσετε μια βαλβίδα περιορισμού πίεσης. Εάν δεν είστε σίγουροι πώς να ελέγξετε την πίεση του νερού, επικοινωνήστε με έναν επαγγελματία υδραυλικό.
- ▶ Μην εγκαθιστάτε τη συσκευή σε σημεία όπου μπορεί να προκύψουν συνθήκες υδραυλικού πλήγματος. Εάν υπάρχουν συνθήκες υδραυλικού πλήγματος, πρέπει να εγκαταστήσετε μια συσκευή προστασίας από υδραυλικό πλήγμα. Εάν δεν είστε σίγουροι πώς να κάνετε έλεγχο για αυτήν την κατάσταση, επικοινωνήστε με έναν επαγγελματία υδραυλικό.
- ▶ Μην εγκαθιστάτε τη συσκευή σε γραμμές παροχής ζεστού νερού. Η μέγιστη θερμοκρασία νερού λειτουργίας του συστήματος φίλτρου είναι 38°C.
- ▶ Μην αφήνετε το φίλτρο να παγώσει. Αποστραγγίστε το φίλτρο όταν η θερμοκρασία πέσει κάτω από τους 0,6°C.
- ▶ Αλλάζετε το φυσιγγίο του φίλτρου μίας χρήσης κάθε έξι μήνες ή νωρίτερα, εάν παρατηρήσετε αισθητή μείωση του όγκου ροής νερού.
- ▶ Η μη αντικατάσταση του δοχείου του φίλτρου στα συνιστώμενα χρονικά διαστήματα μπορεί να οδηγήσει σε μειωμένη απόδοση του φίλτρου και ρωγμές στο περίβλημα του φίλτρου, προκαλώντας διαρροή νερού ή υπερχειλίση.
- ▶ Αυτό το σύστημα έχει δοκιμαστεί σύμφωνα με τα πρότυπα NSF/ANSI 42, 53, 401 και P473 για τη μείωση των ουσιών που αναφέρονται παρακάτω. Η συγκέντρωση των αναφερόμενων ουσιών στο νερό που εισέρχεται στο σύστημα μειώθηκε σε συγκέντρωση μικρότερη ή ίση με το επιτρεπόμενο όριο για το νερό που εξέρχεται από το σύστημα, όπως ορίζεται στα πρότυπα NSF/ANSI 42, 53, 401 και P473.





Πολλά προβλήματα που παρουσιάζονται μπορείτε να τα λύσετε μόνοι σας χωρίς ειδικές γνώσεις. Σε περίπτωση προβλήματος, ελέγξτε όλες τις εμφανιζόμενες δυνατότητες και ακολουθήστε τις παρακάτω οδηγίες προτού επικοινωνήσετε με το τμήμα εξυπηρέτησης πελατών μετά την πώληση. Δείτε ΕΞΥΠΗΡΕΤΗΣΗ ΠΕΛΑΤΩΝ.



### ΠΡΟΕΙΔΟΠΟΙΗΣΗ!

- ▶ Πριν από τη συντήρηση, απενεργοποιήστε τη συσκευή και αποσυνδέστε το φις από την πρίζα.
- ▶ Ο ηλεκτρικός εξοπλισμός πρέπει να συντηρείται μόνο από εξειδικευμένους ηλεκτρολόγους, επειδή οι ακατάλληλες επισκευές μπορούν να προκαλέσουν σημαντικές επακόλουθες ζημιές.
- ▶ Μια κατεστραμμένη τροφοδοσία θα πρέπει να αντικατασταθεί από τον κατασκευαστή ή τον αντιπρόσωπο του σέρβις ή παρόμοια εξουσιοδοτημένα πρόσωπα, προς αποφυγή του κινδύνου.

Πρόβλημα	Πιθανή αιτία	Πιθανή λύση
Ο συμπίεστής δεν λειτουργεί.	<ul style="list-style-type: none"> <li>• Το βύσμα δικτύου δεν είναι συνδεδεμένο στην πρίζα.</li> <li>• Η συσκευή βρίσκεται στον κύκλο απόψυξης</li> </ul>	<ul style="list-style-type: none"> <li>• Συνδέστε την πρίζα.</li> <li>• Αυτό είναι φυσιολογικό για αυτόματη απόψυξη</li> </ul>
Η συσκευή λειτουργεί συχνά ή λειτουργεί για πολύ μεγάλο χρονικό διάστημα.	<ul style="list-style-type: none"> <li>• Η εσωτερική και η εξωτερική θερμοκρασία είναι πολύ υψηλή.</li> <li>• Η συσκευή απενεργοποιήθηκε για ένα χρονικό διάστημα.</li> <li>• Η πόρτα της συσκευής δεν είναι καλά κλειστή.</li> <li>• Η πόρτα ανοίγει πολύ συχνά ή για μεγάλα χρονικά διαστήματα.</li> <li>• Η ρύθμιση θερμοκρασίας για την κατάψυξη είναι πολύ χαμηλή.</li> <li>• Το λάστιχο της πόρτας είναι βρώμικο, έχει φθαρεί, έχει ρωγμές ή δεν ταιριάζει.</li> <li>• Η απαιτούμενη κυκλοφορία του αέρα δεν είναι εγγυημένη.</li> </ul>	<ul style="list-style-type: none"> <li>• Είναι φυσιολογικό η συσκευή να λειτουργεί περισσότερο.</li> <li>• Κανονικά, χρειάζονται 8 έως 12 ώρες για να κρυώσει εντελώς η συσκευή.</li> <li>• Κλείστε την πόρτα / συρτάρι και βεβαιωθείτε ότι η συσκευή βρίσκεται σε επίπεδη επιφάνεια και ότι δεν υπάρχει τροφή ή δοχείο που να «χτυπά» πάνω στην πόρτα.</li> <li>• Μην ανοίγετε την πόρτα / το συρτάρι πολύ συχνά.</li> <li>• Ρυθμίστε τη θερμοκρασία ψηλότερα μέχρι να ληφθεί ικανοποιητική θερμοκρασία ψυγείου. Χρειάζονται 24 ώρες για να σταθεροποιηθεί η θερμοκρασία του ψυγείου.</li> <li>• Καθαρίστε την πόρτα/το φλάουτο του συρταριού ή αντικαταστήστε τα από την εξυπηρέτηση πελατών.</li> <li>• Εξασφαλίστε επαρκή αερισμό.</li> </ul>



Πρόβλημα	Πιθανή αιτία	Πιθανή λύση
Το εσωτερικό του ψυγείου είναι βρώμικο ή/και μυρίζει άσχημα.	<ul style="list-style-type: none"><li>• Το εσωτερικό του ψυγείου χρειάζεται καθαρισμό.</li><li>• Τα τρόφιμα με έντονη οσμή αποθηκεύονται στο ψυγείο.</li></ul>	<ul style="list-style-type: none"><li>• Καθαρίστε το εσωτερικό του ψυγείου.</li><li>• Τυλίξτε καλά το φαγητό.</li></ul>
Η συσκευή κάνει αφύσικους ήχους.	<ul style="list-style-type: none"><li>• Η συσκευή δεν βρίσκεται σε επίπεδο έδαφος.</li><li>• Η συσκευή αγγίζει κάποιο αντικείμενο γύρω της.</li></ul>	<ul style="list-style-type: none"><li>• Ρυθμίστε τα πόδια για να ισιώσετε τη συσκευή.</li><li>• Αφαιρέστε τα αντικείμενα γύρω από τη συσκευή.</li></ul>
Δεν υπάρχει αρκετή ψύξη στο εσωτερικό της συσκευής.	<ul style="list-style-type: none"><li>• Η θερμοκρασία είναι πολύ υψηλή. Πολύ ζεστά αγαθά έχουν αποθηκευτεί.</li><li>• Πάρα πολύ φαγητό έχει αποθηκευτεί ταυτόχρονα.</li><li>• Τα αγαθά είναι πολύ κοντά το ένα στο άλλο.</li><li>• Η πόρτα / συρτάρια της συσκευής δεν είναι κλειστά.</li><li>• Η πόρτα/το συρτάρι ανοίγει πολύ συχνά ή για μεγάλα χρονικά διαστήματα.</li></ul>	<ul style="list-style-type: none"><li>• Επαναφέρετε τη θερμοκρασία.</li><li>• Πάντα να ψύχετε τα αγαθά πριν τα αποθηκεύετε.</li><li>• Να αποθηκεύετε πάντα μικρές ποσότητες τροφίμων.</li><li>• Αφήστε ένα κενό μεταξύ πολλών τροφίμων που επιτρέπουν τη ροή του αέρα.</li><li>• Κλείστε την πόρτα / τα συρτάρια.</li><li>• Μην ανοίγετε την πόρτα / το συρτάρι πολύ συχνά.</li></ul>
Υπάρχει αρκετή ψύξη στο εσωτερικό της συσκευής.	<ul style="list-style-type: none"><li>• Η θερμοκρασία είναι πολύ χαμηλή. Η λειτουργία Super-Frz/ Super-Cool είναι ενεργοποιημένη ή λειτουργεί για μεγάλο διάστημα.</li></ul>	<ul style="list-style-type: none"><li>• Επαναφέρετε τη θερμοκρασία.</li><li>• Απενεργοποιήστε τη λειτουργία Super-Frz/ Super-Cool</li></ul>
Σχηματισμός υγρασίας στο εσωτερικό του διαμερίσματος του ψυγείου.	<ul style="list-style-type: none"><li>• Το κλίμα είναι πολύ ζεστό και πολύ υγρό.</li><li>• Η πόρτα / συρτάρια της συσκευής δεν είναι κλειστά.</li><li>• Η πόρτα/το συρτάρι ανοίγει πολύ συχνά ή για μεγάλα χρονικά διαστήματα.</li><li>• Τα δοχεία τροφίμων ή τα υγρά παραμένουν ανοιχτά.</li></ul>	<ul style="list-style-type: none"><li>• Αυξήστε τη θερμοκρασία.</li><li>• Κλείστε την πόρτα / τα συρτάρια.</li><li>• Μην ανοίγετε την πόρτα / το συρτάρι πολύ συχνά.</li><li>• Αφήστε τα ζεστά τρόφιμα να κρυώσουν σε θερμοκρασία δωματίου και καλύψτε τα τρόφιμα και τα υγρά.</li></ul>



Πρόβλημα	Πιθανή αιτία	Πιθανή λύση
Η υγρασία συσσωρεύεται στα ψυγεία έξω από την επιφάνεια ή ανάμεσα στις πόρτες / την πόρτα και τα συρτάρια.	<ul style="list-style-type: none"> <li>• Το κλίμα είναι πολύ ζεστό και πολύ υγρό.</li> <li>• Η πόρτα δεν είναι ερμητικά κλειστή. Ο κρύος αέρας στη συσκευή και ο ζεστός αέρας έξω από αυτήν συμπυκνώνεται.</li> </ul>	<ul style="list-style-type: none"> <li>• Αυτό είναι φυσιολογικό σε υγρό κλίμα και θα αλλάξει όταν μειώνεται η υγρασία.</li> <li>• Βεβαιωθείτε ότι η πόρτα/το συρτάρι είναι καλά κλειστά.</li> </ul>
Ισχυρός πάγος και παγετός στο διαμέρισμα του καταψύκτη.	<ul style="list-style-type: none"> <li>• Τα εμπορεύματα δεν είχαν συσκευαστεί επαρκώς.</li> <li>• Η πόρτα / συρτάρια της συσκευής δεν είναι κλειστά.</li> <li>• Η πόρτα/το συρτάρι ανοίγει πολύ συχνά ή για μεγάλα χρονικά διαστήματα.</li> <li>• Η φλάντζα πόρτας/συρταριού είναι βρώμικη, φθαρμένη, ραγισμένη ή αταίριαστη.</li> <li>• Κάτι στο εσωτερικό αποτρέπει στην πόρτα/συρτάρι να κλείσει σωστά.</li> </ul>	<ul style="list-style-type: none"> <li>• Πάντα να συσκευάζετε καλά τα προϊόντα.</li> <li>• Κλείστε την πόρτα / τα συρτάρια.</li> <li>• Μην ανοίγετε την πόρτα / το συρτάρι πολύ συχνά.</li> <li>• Καθαρίστε την τσιμούχα πόρτας/συρταριού ή αντικαταστήστε την με νέα.</li> <li>• Επανατοποθετήστε τα ράφια, τα ράφια των θυρών ή τα εσωτερικά δοχεία για να επιτρέψετε στο κλείσιμο της πόρτας / συρταριού.</li> </ul>
Οι πλευρές του ντουλαπιού και της λωρίδας της πόρτας θερμαίνονται.	<ul style="list-style-type: none"> <li>• -</li> </ul>	<ul style="list-style-type: none"> <li>• Αυτό είναι φυσιολογικό.</li> </ul>
Η συσκευή κάνει αφύσικους ήχους.	<ul style="list-style-type: none"> <li>• Η συσκευή δεν βρίσκεται σε επίπεδο έδαφος.</li> <li>• Η συσκευή αγγίζει κάποιο αντικείμενο γύρω της.</li> </ul>	<ul style="list-style-type: none"> <li>• Ρυθμίστε τα πόδια για να ισιώσετε τη συσκευή.</li> <li>• Αφαιρέστε τα αντικείμενα γύρω από τη συσκευή.</li> </ul>
Ένας ελαφρύς ήχος πρέπει να ακούγεται παρόμοιος με αυτόν του ρέοντος νερού.	<ul style="list-style-type: none"> <li>• -</li> </ul>	<ul style="list-style-type: none"> <li>• Αυτό είναι φυσιολογικό.</li> </ul>
Θα ακούσετε ένα ηχητικό σήμα συναγερμού.	<ul style="list-style-type: none"> <li>• Η πόρτα του χώρου αποθήκευσης ψυγείου είναι ανοιχτή.</li> </ul>	<ul style="list-style-type: none"> <li>• Κλείστε την πόρτα.</li> </ul>
Θα ακούσετε ένα αχνό βουητό.	<ul style="list-style-type: none"> <li>• Το σύστημα κατά της συμπύκνωσης λειτουργεί</li> </ul>	<ul style="list-style-type: none"> <li>• Αυτό αποτρέπει τη συμπύκνωση και είναι φυσιολογικό</li> </ul>
Το σύστημα εσωτερικού φωτισμού ή ψύξης δεν λειτουργεί.	<ul style="list-style-type: none"> <li>• Το βύσμα δικτύου δεν είναι συνδεδεμένο στην πρίζα.</li> <li>• Η παροχή ρεύματος δεν είναι άθικτη.</li> <li>• Η λυχνία LED είναι εκτός λειτουργίας.</li> </ul>	<ul style="list-style-type: none"> <li>• Συνδέστε την πρίζα.</li> <li>• Ελέγξτε την παροχή ηλεκτρικού ρεύματος στο δωμάτιο. Καλέστε την τοπική εταιρεία ηλεκτρισμού!</li> <li>• Καλέστε την υπηρεσία για αλλαγή της λυχνίας.</li> </ul>



Πρόβλημα	Πιθανή αιτία	Πιθανή λύση
Διαρροή ή στάξιμο νερού από το στόμιο του διανομέα νερού.	<ul style="list-style-type: none"><li>• Το δοχείο νερού δεν έχει τοποθετηθεί σωστά</li><li>• Το στόμιο του διανομέα νερού δεν έχει βιδωθεί σφιχτά στη δεξαμενή.</li><li>• Το λευκό Ο-ρινγκ σιλικόνης λείπει από το στόμιο νερού.</li></ul>	<ul style="list-style-type: none"><li>• Τοποθετήστε ξανά το δοχείο νερού στην πόρτα του ψυγείου και βεβαιωθείτε ότι έχει στερεωθεί πλήρως στην πόρτα.</li><li>• Βιδώστε το στόμιο νερού καλά στο δοχείο νερού.</li><li>• Ελέγξτε ότι το στόμιο νερού έχει ένα λευκό Ο-ρινγκ σιλικόνης στο άκρο της δεξαμενής πριν τοποθετήσετε το στόμιο νερού στο δοχείο νερού.</li></ul>

Για να επικοινωνήσετε με την τεχνική βοήθεια, επισκεφθείτε τον ιστότοπό μας:

<https://corporate.haier-europe.com/en/>

Στην ενότητα "ιστότοπος", επιλέξτε τη μάρκα του προϊόντος σας και τη χώρα σας.

Θα ανακατευθυνθείτε στον συγκεκριμένο ιστότοπο, όπου μπορείτε να βρείτε τον αριθμό τηλεφώνου και τη φόρμα για να επικοινωνήσετε με την τεχνική υποστήριξη.

### Διακοπή ρεύματος

Σε περίπτωση διακοπής ρεύματος, τα τρόφιμα πρέπει να παραμένουν με ασφάλεια κρύα και σε συνθήκες ψύξης για περίπου 5 ώρες. Ακολουθήστε αυτές τις συμβουλές κατά τη διάρκεια παρατεταμένης διακοπής ρεύματος, ειδικά το καλοκαίρι:

- ▶ Ανοίγετε την πόρτα / συρτάρια όσο το δυνατόν λιγότερες φορές.
- ▶ Μη βάζετε επιπλέον τρόφιμα στη συσκευή κατά τη διάρκεια διακοπής ρεύματος.
- ▶ Εάν δοθεί προηγούμενη ειδοποίηση για διακοπή ρεύματος και η διάρκεια διακοπής είναι μεγαλύτερη από 5 ώρες, φτιάξτε λίγο πάγο και τοποθετήστε τον σε ένα δοχείο στο πάνω μέρος του ψυγείου.
- ▶ Ο έλεγχος των εμπορευμάτων απαιτείται αμέσως μετά τη διακοπή.
- ▶ Καθώς η θερμοκρασία στο ψυγείο θα αυξηθεί κατά τη διάρκεια διακοπής ρεύματος ή άλλης βλάβης, η περίοδος αποθήκευσης και η βρώσιμη ποιότητα των τροφίμων θα μειωθούν. Οποιοδήποτε φαγητό αποψύχεται πρέπει να καταναλώνεται ή να μαγειρεύεται και να καταψύχεται (όταν επιτρέπεται αυτή η διαδικασία) λίγο μετά για την αποφυγή κινδύνων για την υγεία.



### ΣΗΜΕΙΩΣΗ: Λειτουργία μνήμης κατά τη διακοπή ρεύματος

Μετά την αποκατάσταση του ρεύματος, η συσκευή συνεχίζει με τις ρυθμίσεις που είχαν ρυθμιστεί πριν από την διακοπή ρεύματος.

## Αποσυσκευασία



### ΠΡΟΕΙΔΟΠΟΙΗΣΗ!

- ▶ Η συσκευή είναι βαριά. Πάντοτε θα πρέπει να χειρίζονται τη συσκευή δύο άτομα τουλάχιστον.
- ▶ Κρατήστε όλα τα υλικά συσκευασίας μακριά από τα παιδιά και απορρίψτε τα με φιλικό προς το περιβάλλον τρόπο.
- ▶ Βγάλε τη συσκευή από τη συσκευασία.
- ▶ Αφαιρέστε όλα τα υλικά συσκευασίας.

### Περιβαλλοντικές συνθήκες

Η θερμοκρασία δωματίου πρέπει να είναι πάντα μεταξύ 10°C και 43°C, καθώς μπορεί να επηρεαστεί η θερμοκρασία στο εσωτερικό της συσκευής και η κατανάλωση ενέργειάς της. Μην εγκαθιστάτε τη συσκευή κοντά σε άλλες συσκευές που εκπέμπουν θερμότητα (φούρνους, ψυγεία) χωρίς μόνωση.

- Εκτεταμένη εύκρατη (SN): αυτή η ψυκτική συσκευή προορίζεται να χρησιμοποιηθεί σε θερμοκρασίες περιβάλλοντος από 10°C έως 32°C.
- Εύκρατη (N): αυτή η ψυκτική συσκευή προορίζεται να χρησιμοποιηθεί σε θερμοκρασίες περιβάλλοντος από 16°C έως 32°C.
- Υποτροπική (ST): αυτή η ψυκτική συσκευή προορίζεται να χρησιμοποιηθεί σε θερμοκρασίες περιβάλλοντος από 16°C έως 38°C.

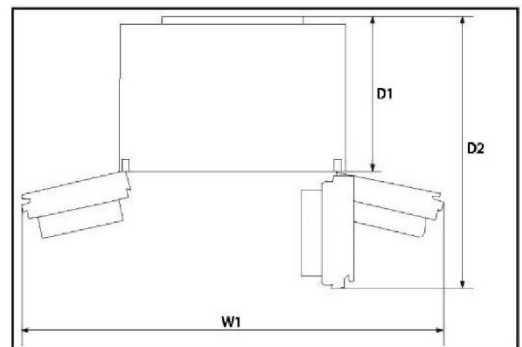
### Απαιτήσεις χώρου

Ελάχιστος χώρος όταν η πόρτα είναι ανοικτή:

W1 = 157,8 cm

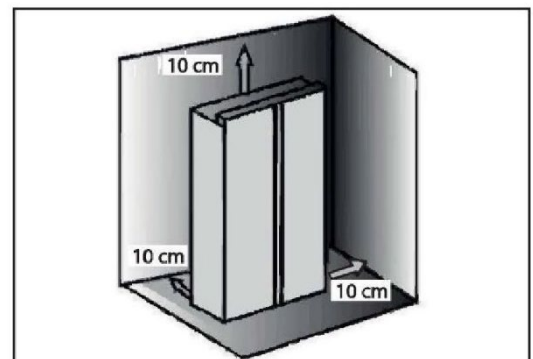
D1 = 62,9 cm

D2 = 117,5 cm



### Διατομή εξαερισμού

Για να επιτευχθεί επαρκής αερισμός της συσκευής για λόγους ασφαλείας, πρέπει να τηρούνται οι πληροφορίες των απαιτούμενων διατομών εξαερισμού.

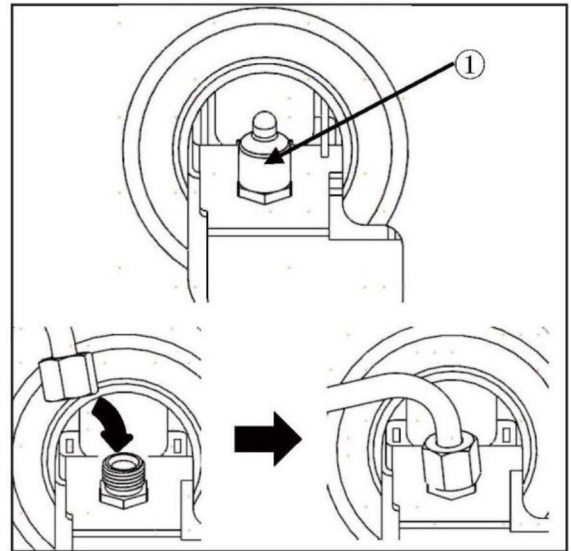


### ΕΙΔΟΠΟΙΗΣΗ

Για μια συσκευή ελεύθερης τοποθέτησης: αυτή η ψυκτική συσκευή δεν προορίζεται για χρήση ως εντοιχιζόμενη συσκευή.

## Σύνδεση νερού στη συσκευή

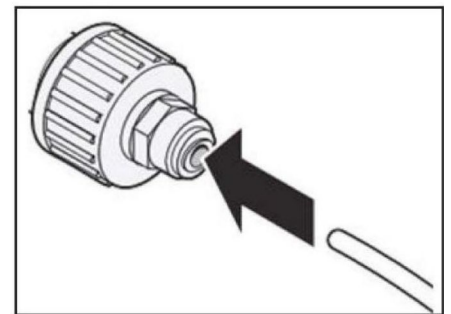
1. Αφαιρέστε το ελαστικό πώμα (1) από τη βαλβίδα εισαγωγής νερού.
2. Τοποθετήστε καλά τον σωλήνα νερού πάνω στη βαλβίδα εισαγωγής νερού και σφίξτε το παξιμάδι. Ο σωλήνας νερού πρέπει να κοπεί στη μέση και να χρησιμοποιηθεί και το άλλο τμήμα χρησιμοποιείται ως ανταλλακτικό.



## Σύνδεση στη βρύση νερού

Αυτή η δυνατότητα είναι διαθέσιμη μόνο σε ορισμένα μοντέλα.

1. Σπρώξτε τον σωλήνα νερού μέσα στην οπή του συνδέσμου της βρύσης που παρέχεται στα εξαρτήματα. Πρέπει να κρατάτε τον σωλήνα σταθερά ενώ πιέζετε τον σύνδεσμο πάνω στον σωλήνα.
  2. Βεβαιωθείτε ότι η λαστιχένια ροδέλα είναι τοποθετημένη στο εσωτερικό του συνδέσμου της βρύσης πριν τον βιδώσετε στη βρύση.
- Μπορεί να χρειαστεί να αγοράσετε ξεχωριστό σύνδεσμο ή προσαρμογέα, εάν το εξάρτημα της βρύσης δεν ταιριάζει με το μέγεθος του σπειρώματος του συνδέσμου που παρέχεται.



## Έλεγχος της σύνδεσης νερού

Αυτή η δυνατότητα είναι διαθέσιμη μόνο σε ορισμένα μοντέλα.

- Ανοίξτε την παροχή νερού και ενεργοποιήστε τη συσκευή. Ελέγξτε προσεκτικά όλα τα εξαρτήματα για πιθανές διαρροές λόγω κακής τοποθέτησης των εύκαμπτων σωλήνων.
- Πατήστε και κρατήστε πατημένο το κουμπί 3Sec. Filter Reset για 3 δευτερόλεπτα. Το νέο φίλτρο νερού έχει ενεργοποιηθεί.
- Τοποθετήστε ένα φλιτζάνι κάτω από τον διανομέα νερού για να βεβαιωθείτε ότι το νερό ρέει μέσα από τη συσκευή.
- Ελέγξτε ξανά τον συνδετικό σωλήνα και τις ενώσεις για διαρροές.





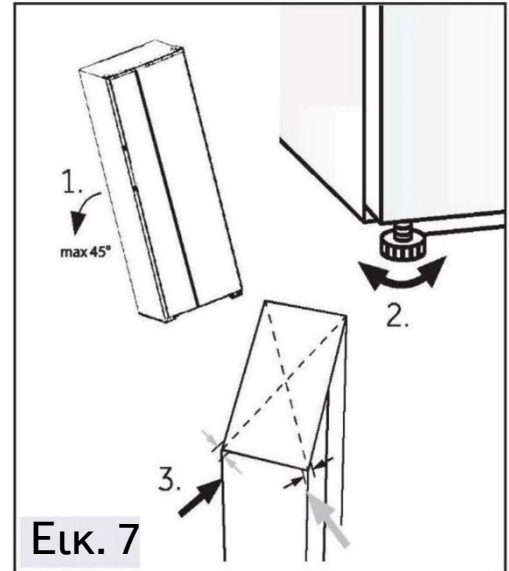
## ΠΡΟΕΙΔΟΠΟΙΗΣΗ!

- ▶ Βεβαιωθείτε ότι οι συνδέσεις είναι πάντα σταθερές, στεγνές και χωρίς διαρροές.
- ▶ Βεβαιωθείτε ότι ο εύκαμπτος σωλήνας δεν είναι ποτέ πατημένος, τσακισμένος ή συστραμμένος.

### Ευθυγράμμιση της συσκευής

Η συσκευή πρέπει να τοποθετηθεί σε επίπεδη και συμπαγή επιφάνεια.

1. Γείρετε τη συσκευή ελαφρώς προς τα πίσω (Εικ. 7).
2. Ρυθμίστε τα πόδια στο επιθυμητό επίπεδο. Βεβαιωθείτε ότι η απόσταση από τον τοίχο στις πλευρές των μεντεσέδων είναι τουλάχιστον 10 εκ.
3. Η σταθερότητα μπορεί να ελεγχθεί χτυπώντας εναλλάξ τις διαγώνιες πλευρές. Η ελαφριά ταλάντωση πρέπει να είναι ίδια και προς τις δύο κατευθύνσεις. Διαφορετικά το πλαίσιο μπορεί να στρεβλώσει και το αποτέλεσμα μπορεί να είναι πιθανές διαρροές στις τσιμούχες της πόρτας. Μια χαμηλή κλίση προς τα πίσω διευκολύνει το κλείσιμο των θυρών.



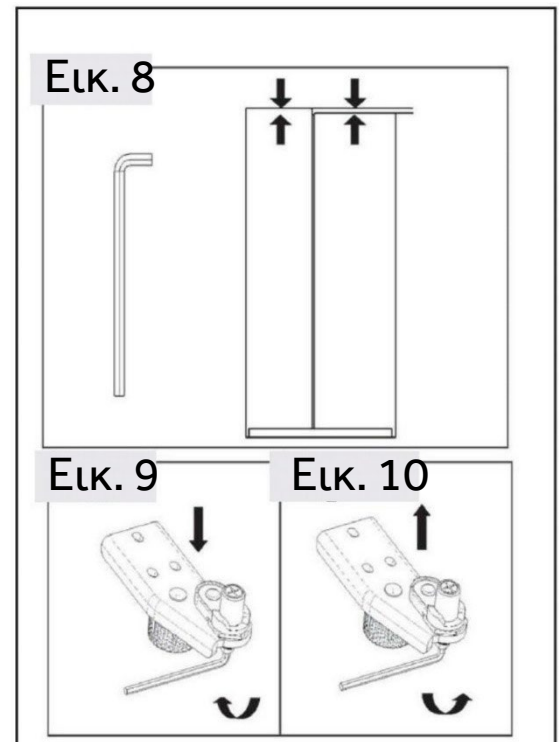
Εικ. 7

### Ρύθμιση ακριβείας των πορτών

Εάν οι πόρτες εξακολουθούν να μην είναι οριζοντιωμένες μετά την οριζόντιωση των πορτών με τα πόδια, η αναντιστοιχία αυτή μπορεί να διορθωθεί περιστρέφοντας τον άξονα ανύψωσης του μεντεσέ στη δεξιά κάτω γωνία της πόρτας ψυγείου με ένα κλειδί (Εικ. 8)

Περιστρέψτε δεξιόστροφα τον άξονα ανύψωσης με το κλειδί για να χαμηλώσετε το ύψος της πόρτας (Εικ. 9).

Περιστρέψτε αριστερόστροφα τον άξονα ανύψωσης με το κλειδί για να ανεβάσετε το ύψος της πόρτας (Εικ. 10).



Εικ. 8

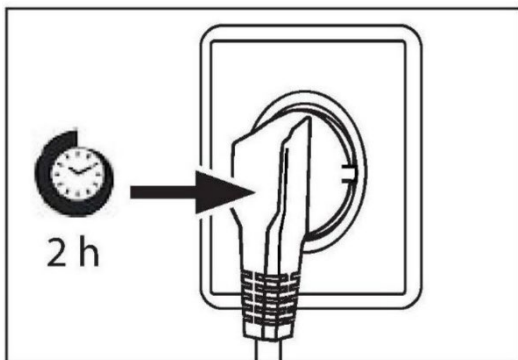
Εικ. 9

Εικ. 10



## ΠΡΟΕΙΔΟΠΟΙΗΣΗ!

Μην υπερβάλλετε με τη ρύθμιση του άξονα ανύψωσης του μεντεσέ σε ύψος το οποίο θα μπορούσε να προκαλέσει την έξοδο του άξονα από την αρχική κλειδωμένη θέση του. (Εύρος ρυθμιζόμενου ύψους: 3 mm)



### Χρόνος αναμονής

Το λάδι λίπανσης χωρίς συντήρηση βρίσκεται στην κάψουλα του συμπιεστή. Αυτό το λάδι μπορεί να περάσει από το κλειστό σύστημα σωλήνων κατά τη διάρκεια της κεκλιμένης μεταφοράς. Πριν συνδέσετε τη συσκευή στην παροχή ρεύματος θα πρέπει να περιμένετε τουλάχιστον 2 ώρες, ώστε το λάδι να επιστρέψει στην κάψουλα.

### Ηλεκτρική σύνδεση

#### Πριν από κάθε σύνδεση ελέγξτε αν:

- ▶ η τροφοδοσία ρεύματος, η πρίζα και η ασφάλεια είναι κατάλληλα σύμφωνα με την πινακίδα ονομαστικών στοιχείων.
- ▶ η πρίζα είναι γειωμένη και δεν υπάρχει πολλαπλή πρίζα ή επέκταση.
- ▶ το βύσμα τροφοδοσίας και η πρίζα είναι σύμφωνα με.

Συνδέστε το βύσμα σε μια σωστά εγκατεστημένη οικιακή πρίζα.



## ΠΡΟΕΙΔΟΠΟΙΗΣΗ!

Για να αποφύγετε τους κινδύνους, ένα κατεστραμμένο καλώδιο τροφοδοσίας πρέπει να αντικατασταθεί από την εξυπηρέτηση πελατών (βλ. κάρτα εγγύησης).

### Αφαίρεση και τοποθέτηση των πορτών

Σε περίπτωση που χρειαστεί να αφαιρέσετε τις πόρτες της συσκευής, ακολουθήστε τις παρακάτω οδηγίες αφαίρεσης και τοποθέτησης της πόρτας.

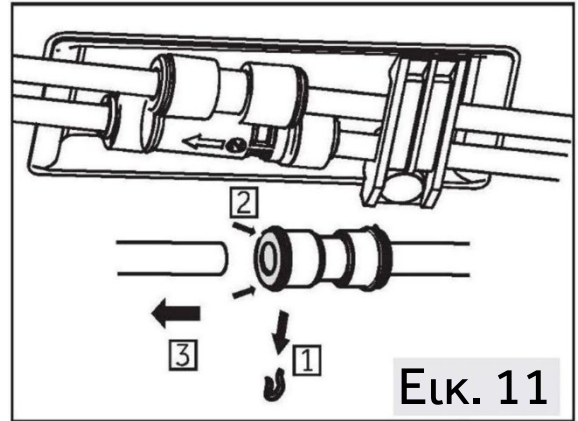


## ΠΡΟΕΙΔΟΠΟΙΗΣΗ!

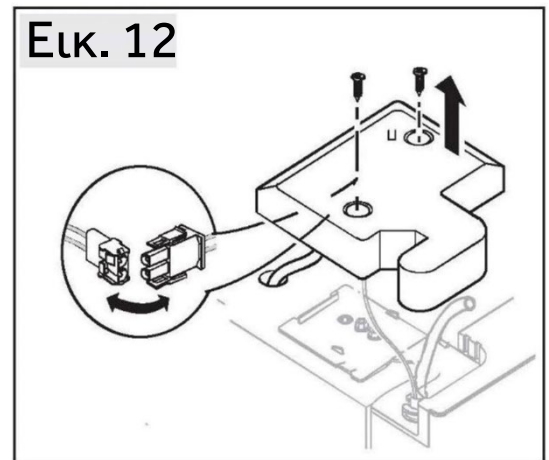
- ▶ Πριν από οποιαδήποτε εργασία, απενεργοποιήστε τη συσκευή και αποσυνδέστε το φις από την πρίζα.
- ▶ Αποκλείστε την παροχή νερού.
- ▶ Η συσκευή είναι βαριά. Πάντοτε θα πρέπει να χειρίζονται τη συσκευή δύο άτομα τουλάχιστον.
- ▶ Να μη γέρνετε τη συσκευή περισσότερο από 45° ή να την τοποθετείτε οριζόντια στο έδαφος.
- ▶ Η πόρτα μπορεί να πέσει και να τραυματίσει ανθρώπους ή να υποστεί ζημιά κατά τη διάρκεια αυτών των βημάτων, παρακαλούμε να δώσετε μεγαλύτερη προσοχή κατά την αφαίρεση και τοποθέτηση των πορτών.



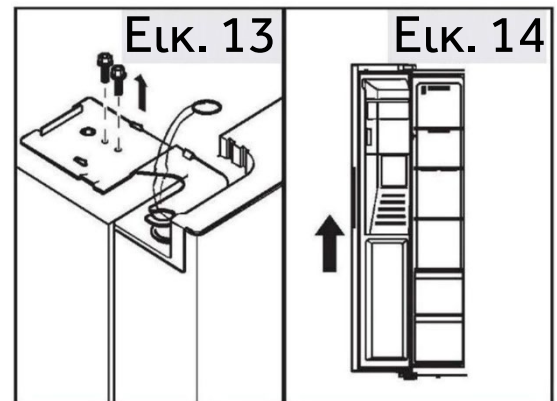
1. Απελευθερώστε την αριστερή πλευρά των δύο ρακόρ νερού στην μπροστινή αριστερή γωνία, στο κάτω μέρος της συσκευής: πιέστε και κρατήστε το κολάρο όπως υποδεικνύεται στην εικόνα και αφαιρέστε τον σωλήνα νερού. (Εικ.11).



2. Ξεβιδώστε τη βίδα του καλύμματος μεντεσέ και αφαιρέστε το κάλυμμα (Εικ. 12). Κατά την αφαίρεση της πόρτας του καταψύκτη, αποσυνδέστε όλα τα καλώδια εκτός από το καλώδιο γείωσης.



3. Ξεβιδώστε τις βίδες που συγκρατούν τον άνω μεντεσέ στη θέση του και στη συνέχεια αφαιρέστε τον μεντεσέ (Εικ. 13).



4. Ανασηκώστε την πόρτα για να την αφαιρέσετε (Εικ. 14). Κατά την αφαίρεση της πόρτας του καταψύκτη, ανασηκώστε την αρκετά ψηλά ώστε να βγάλετε τη σύνδεση νερού από το κάτω μέρος της συσκευής.

5. Επανατοποθετήστε την πόρτα αντιστρέφοντας τα βήματα αφαίρεσης. Βεβαιωθείτε ότι το καλώδιο γείωσης θα στερεωθεί με τη βίδα.

6. Επανατοποθετήστε τη σύνδεση νερού.



## ΣΗΜΕΙΩΣΗ: Πόρτα ψυγείου

Οι εικόνες δείχνουν την αφαίρεση της πόρτας του θαλάμου καταψύκτη. Για την πόρτα του ψυγείου χρησιμοποιήστε τα αντίστοιχα εξαρτήματα της άλλης πλευράς.



Δελτίο προϊόντος σύμφωνα με τον κανονισμό ΕΕ υπ' αριθ. 2019/2016

Μάρκα	Haier
Όνομα μοντέλου / αναγνωριστικό	HSW59F18DIMM HSW79F18DIPT
Κατηγορία του μοντέλου	Ψυγειοκαταψύκτης
Κατηγορία ενεργειακής απόδοσης	D
Ετήσια κατανάλωση ενέργειας (kWh/έτος) <sup>(1)</sup>	267
Συνολικός όγκος (Λίτρα)	601
Όγκος ψυγείου (Λίτρα)	391
Όγκος καταψύκτη (Λίτρα)	206
Όγκος κάδου αποθήκευσης πάγου (2 Αστέρων) (Λίτρα)	4
Αξιολόγηση με αστέρια	
Θερμοκρασία άλλων θαλάμων >14°C	Δεν υφίσταται
Σύστημα χωρίς πάγο	Ναι
Χωρητικότητα κατάψυξης (κιλά/24 ώρες)	10
Κλιματική κατάταξη <sup>(2)</sup>	SN-N-ST
Κατηγορία εκπομπών θορύβου και εκπομπών αερομεταφερόμενου ακουστικού θορύβου (db(A) re 1pW)	C(36)
Χρόνος αύξησης θερμοκρασίας (ώρες)	5
Χωρητικότητα παραγωγής πάγου	0,8 kg/24ω
Τύπος συσκευής	Αυτόνομη ελεύθερη τοποθέτηση

Επεξηγήσεις:

- Ναι, υπάρχει
- (1) Με βάση τα αποτελέσματα της δοκιμής συμμόρφωσης προτύπων για 24 ώρες. Η πραγματική κατανάλωση εξαρτάται από τη χρήση και τη θέση της συσκευής.
- (2) Κλιματική κατάταξη SN: Αυτή η συσκευή προορίζεται για χρήση σε θερμοκρασία περιβάλλοντος μεταξύ + 10 °C και +32 °C  
Κλιματική κατάταξη N: Αυτή η συσκευή προορίζεται για χρήση σε θερμοκρασία περιβάλλοντος μεταξύ +16°C και +32°C  
Κλιματική κατάταξη ST: Αυτή η συσκευή προορίζεται για χρήση σε θερμοκρασία περιβάλλοντος μεταξύ +16°C και +38°C

### Πρόσθετα τεχνικά δεδομένα

Τάση / Συχνότητα	220-240V~/50Hz
Ρεύμα εισόδου (A)	1,8
Ισχύς εισόδου απόψυξης (W)	220
Ασφάλεια κεντρική (A)	15
Ψυκτικό	R600a
Διαστάσεις (Υ/Π/Β σε mm)	1775/905/726



Συνιστούμε την Εξυπηρέτηση Πελατών της Haier και τη χρήση γνήσιων ανταλλακτικών. Εάν έχετε κάποιο πρόβλημα με τη συσκευή σας, ελέγξτε πρώτα την ενότητα ΑΝΤΙΜΕΤΩΠΙΣΗ ΠΡΟΒΛΗΜΑΤΩΝ.

Εάν δεν μπορείτε να βρείτε μια λύση εκεί, επικοινωνήστε

- ▶ με τον τοπικό σας αντιπρόσωπο ή
- ▶ το Ευρωπαϊκό τηλεφωνικό κέντρο εξυπηρέτησης (βλ. παρακάτω αριθμούς τηλεφώνου) ή
- ▶ πηγαίετε στην ενότητα Εξυπηρέτηση και Υποστήριξη στη διεύθυνση [www.haier.com](http://www.haier.com) όπου μπορείτε να υποβάλετε αίτημα εξυπηρέτησης
- ▶ και επίσης να βρείτε τις συχνές ερωτήσεις.

Για να επικοινωνήσετε με την Υπηρεσία μας, βεβαιωθείτε ότι έχετε τα ακόλουθα δεδομένα διαθέσιμα.

Οι πληροφορίες μπορούν να βρεθούν στην πινακίδα ονομαστικών στοιχείων.

Μοντέλο \_\_\_\_\_

Σειριακός αριθμός. \_\_\_\_\_

Επίσης, ελέγξτε την Κάρτα Εγγύησης που παρέχεται με το προϊόν σε περίπτωση εγγύησης.

Ευρωπαϊκό Τηλεφωνικό Κέντρο		
Χώρα*	Αριθμός τηλεφώνου	Έξοδα
Haier Italy (IT)	199 100912	
Haier Spain (ES)	902 509 123	
Haier Germany (DE)	0180539 39 99	<ul style="list-style-type: none"><li>• 14 λεπτά/λεπτό από σταθερό</li><li>• μέγιστο 42 λεπτά/λεπτό από κινητό</li></ul>
Haier Austria (AT)	0820 001 205	<ul style="list-style-type: none"><li>• 14,53 λεπτά/λεπτό από σταθερό</li><li>• μέγιστο 20 λεπτά/λεπτό όλα τα άλλα</li></ul>
Haier United Kingdom (UK)	0333 003 8122	
Haier France (FR)	0980 406 409	



\*Για άλλες χώρες, ανατρέξτε στη διεύθυνση [www.haier.com](http://www.haier.com)  
Haier Europe Trading S.r.l  
Branch UK  
Westgate House, Westgate, Ealing  
Λονδίνο, W5 1YY

\*Διάρκεια εγγύησης της ψυκτικής συσκευής:

Η ελάχιστη εγγύηση είναι: 2 χρόνια για τις χώρες της ΕΕ, 3 χρόνια για την Τουρκία, 1 χρόνο για το Ηνωμένο Βασίλειο, 1 χρόνο για τη Ρωσία, 3 χρόνια για τη Σουηδία, 2 χρόνια για τη Σερβία, 5 χρόνια για τη Νορβηγία, 1 χρόνο για το Μαρόκο, 6 μήνες για την Αλγερία, για την Τυνησία δεν απαιτείται νομική εγγύηση.

\*Περίοδος διάθεσης ανταλλακτικών για επισκευή της συσκευής:

Θερμοστάτες, αισθητήρες θερμοκρασίας, πλακέτες τυπωμένων κυκλωμάτων και πηγές φωτός διατίθενται για επτά τουλάχιστον χρόνια μετά τη διάθεση της τελευταίας μονάδας του μοντέλου στην αγορά.

Λαβές πόρτας, μεντεσέδες πόρτας, δίσκοι και καλάθια διατίθενται για περίοδο τουλάχιστον επτά ετών και λάστιχα πόρτας για περίοδο τουλάχιστον 10 ετών μετά τη διάθεση της τελευταίας μονάδας του μοντέλου στην αγορά.

\*Για περισσότερες πληροφορίες σχετικά με το προϊόν, συμβουλευτείτε τη διεύθυνση <https://eprel.ec.europa.eu/> ή σαρώστε τον κωδικό QR στην ενεργειακή ετικέτα που παρέχεται με τη συσκευή.





Ohutusteave.....	402
Kasutusotstarve .....	407
Toote ülevaade .....	408
Juhtpaneel.....	409
Kasutamine .....	410
Seadme tutvustus.....	423
Hooldus ja puhastamine .....	425
Tõrkeotsing.....	430
Paigaldamine.....	434
Tehnilised andmed.....	439
Klienditeenindus .....	441



## Täname, et ostate ettevõtte Haier toote.

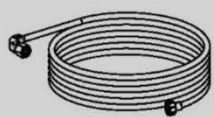
Enne seadme kasutuselevõttu lugege see juhend hoolikalt läbi. Juhend sisaldab olulist teavet, mis aitab tagada seadme optimaalset funktsioonivõimet ning selle paigaldamise, kasutamise ja hoolduse ohutust ja nõuetekohasust.

Hoidke kasutusjuhendit käepärases kohas, et saaksite seda seadme ohutut ja nõuetekohast kasutamist puudutavate suuniste kontrollimiseks vaadata.

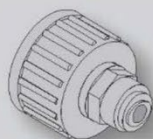
Kui peaksite seadme maha müüma, selle ära andma või kolimise korral endisesse elukohta jätma, andke uuele omanikule kindlasti ka kasutusjuhend, et ta saaks seadme ja ohutuslaste hoiatustega tutvuda.

## Tarvikud

Kontrollige alljärgneva loendi alusel tarvikuid ja dokumentatsiooni:



\*Veetoru



\*Veeühendus



Energiamärgis



Garantiikaart



Lühijuhend





## HOIATUS – tähtis ohutusteave



## Tähelepanu - üldine teave ja nõuanded



## Keskkonnateave

### Utiliseerimine



Andke keskkonna ja inimeste tervise kaitsmisel oma panus. Pange pakendi komponendid ringlussevõtuks ette nähtud konteineritesse. Järgige elektri- ja elektroonikaseadmete romude ringlussevõtule kohalduvaid nõudeid. Osutatud sümboliga tähistatud seadmeid ei tohi olmejäätmete hulka visata. Viige toode piirkondlikku ringlussevõtijaama või võtke ühendust kohaliku omavalitsuse asjaomase allüksusega.



## HOIATUS!

Vigastuste või lämbumise oht!

Kõrvaldamisel tuleb järgida külmutusagensitele ja jahutusgaasidele kohalduvaid spetsiifilisi nõudeid. Enne nõuetekohast kõrvaldamist veenduge, et külmutusagensi kontuuri torustik ei ole kahjustunud. Ühendage seade vooluvõrgust lahti. Lahutage toitekaabel ja kõrvaldage see. Eemaldage alused, sahtlid, ukse sulgur ja tihendid, et vältida laste ning lemmikloomade seadmesse kinnijäämist.

## Enne seadme esmakordset sisselülitamist tutvuge alljärgnevate ohutuslaste nõuannetega.



### HOIATUS!

#### Enne esimest kasutamist tehke järgmist.

- ▶ Kontrollige toodet transpordikahjustuste suhtes.
- ▶ Eemaldage kõik pakendi komponendid ja hoidke neid lastele kättesaamatus kohas.
- ▶ Enne seadme paigaldamist oodake vähemalt kaks tundi, et külmutusagensi kontuur oleks seadme sisselülitamiseks valmis.
- ▶ Seadet peab teisaldama vähemalt kaks inimest, sest see on raske.

#### Paigaldamine

- ▶ Seade tuleb paigutada korraliku ventilatsiooniga kohta. Seadme kohale ja külgedele peab jääma vähemalt 10 cm vaba ruumi.
- ▶ Seadet ei tohi paigutada niiskesse kohta ega nii, et sellele võiksid sattuda veepritsmed. Kasutage veepritsmete ja plekkide eemaldamiseks ning seadme kuivatamiseks puhast pehmet riidelappi.
- ▶ Ärge paigutage seadet otsese päikesevalguse kätte ega soojusallikate (näiteks ahju või kütteseadme) lähedusse.
- ▶ Seade tuleb paigaldada ja nivelleerida kohas, mis on seadme mõõtmetele vastav ning seadme kasutamiseks sobiv.
- ▶ Jälgige, et seadme või integreeritud konstruktsiooni ventilatsiooniavad ei oleks blokeeritud.
- ▶ Veenduge, et andmesildil välja toodud elektrilised parameetrid on toiteallikaga vastavuses. Lahknevuste korral võtke ühendust elektrikuga.
- ▶ Seadme toiteallikas peab vastama järgmistele parameetritele: 220–240 VAC / 50 Hz. Pinge anomaalse kõikumisega võib kaasneda seadme mittekäivitumine, temperatuuriregulaatori või kompressori kahjustumine või seadme käitamisaegne tavatu müra. Sellisel juhul tuleb paigaldada automaatregulaator.
- ▶ Ärge kasutage mitme pistikuga adaptereid ega pikendusjuhtmeid.
- ▶ Jälgige, et seadme taha ei jääks portatiivseid mitmikpistikupesasid ega teisaldatavaid toiteallikaid.
- ▶ Jälgige, et toitekaabel ei saaks külmkappi takerduda. Ärge astuge toitekaablile.



## HOIATUS!

- ▶ Toitevarustuse tagamiseks tuleb kasutada eraldiseisvat maandatud pistikupesat, mis on hõlpsalt ligipääsetav. Seade peab olema maandatud.  
Ainult Ühendkuningriigis: seadme toitekaablil on kolmejuhtmeline (maandusega) pistik, mis on ette nähtud ühendamiseks standardse kolmejuhtmeline (maandusega) pistikupesaga. Kolmandat kontakti (maandust) ei tohi ära lõigata ega demonteerida. Pistik peab pärast seadme paigaldamist ligipääsetav olema.
- ▶ Jälgige, et külmutusagensi kontuur ei saaks kahjustada.

### Igapäevane kasutus

- ▶ Lapsed alates 8. eluaastast ning piiratud füüsiliste, sensoorsete või vaimsete võimetega või väheste kogemuste ja teadmistega isikud võivad seadet kasutada üksnes järelevalvel või kui neid on juhendatud seadme ohutu kasutamise osas ning nad mõistavad seadme kasutamisega seotud ohte.
- ▶ 3–8-aastased lapsed võivad seadmetesse sööke-jooke panna ja neid sealt võtta, kuid neil ei ole lubatud külmutusseadmeid puhastada ega paigaldada.
- ▶ Hoidke alla 3-aastased lapsed seadmest eemal, välja arvatud juhul, kui neid pidevalt jälgitakse.
- ▶ Lapsed ei tohi seadmega mängida.
- ▶ Kui seadme läheduses lekib kivisöögaasi või muud kergesti süttivat gaasi, lülitage lekkiva gaasi klapp välja, avage ukсед ja aknad ning ärge lahutage külmkapi ega ühegi muu seadme toitekaablit.
- ▶ Seade on mõeldud kasutamiseks ümbritseva õhu temperatuuri vahemikus 10–38 °C. Seade ei pruugi nõuetekohaselt töötada, kui see on pikemat aega temperatuuril, mis on osutatud vahemikust kõrgem või madalam.
- ▶ Ärge asetage külmkapile ebastabiilseid esemeid (näiteks raskeid esemeid või veega täidetud anumaid), et vältida eseme kukkumisega kaasnevat kehavigastusi või veega kokkupuutest tingitud elektrilööki.
- ▶ Ärge tõmmake ukseriulitest. Uks võib viltu vajuda, pudeliriul võib eemalduda või seade võib ümber kukkuda.
- ▶ Kasutage uste avamiseks ja sulgemiseks käepidemeid. Uste vahekaugus on väike ning uste ja külmiiku kambrite vaheline pilu kitsas. Sõrmede pitsumise vältimiseks ärge pange käsi mainitud kohtadesse. Külmkapi uksi võib avada ja sulgeda vaid siis, kui ukse liikumistrajektoril ei ole lapsi.



## HOIATUS!

- ▶ Ärge hoidke ega kasutage seadmes ega selle läheduses kergsüttivaid, plahvatusohtlikke või söövitavaid aineid.
- ▶ Ärge hoidke seadmes ravimeid, baktereid ega keemilisi aineid. Seade on mõeldud kasutamiseks kodukeskkonnas. Selles ei ole soovitatav hoida aineid, mille säilitamisele kohalduvad ranged temperatuurinõuded.
- ▶ Ärge hoidke sügavkülmikus gaseeritud karastusjooke, karboniseeritud nõrgalt alkohoolseid jooke ega vedelikega täidetud klaaspudeleid või plekkpurke, sest need lõhkevad külmudes (erandiks on kange alkohol).
- ▶ Kui sügavkülmik on mingil põhjusel soojenenud, kontrollige selles olnud toidu seisundit.
- ▶ Ärge seadistage külmiku kambri temperatuuri tarbetult madalaks. Kõrgete sätete korral võib esineda miinustemperatuure. Tähelepanu! Pudelid võivad lõhkeda.
- ▶ Ärge puudutage külmutatud toiduaineid märgade kätega (kasutage kindaid). Pulgajäätist ei tohiks süüa kohe pärast selle sügavkülmikust välja võtmist. Kohaldub kinnikülmumise, külmakahjustuste ja külmavillide oht. ESMAABI: pange kinnikülmunud esemega piirkond kohe jooksva külma vee alla. Ärge tõmmake kinnikülmunud eset jõuga lahti.
- ▶ Ärge puudutage töötava sügavkülmiku kambri sisepinda, sest käed võivad kambri sisepinna külge jääda. Eriti suur on oht siis, kui käed on märjad.
- ▶ Voolukatkestuse korral või enne puhastamist lahutage seade vooluvõrgust. Enne seadme taaskäivitamist oodake vähemalt 7 minutit, kuna sagedane käivitamine võib kompressorit kahjustada.
- ▶ Ärge kasutage külmkapi toiduainete hoiualades elektriseadmeid, kui nende tüüp ei ole vastavuses tootjapoolsete soovitustega. Hooldus/puhastamine
- ▶ Kui külmkapi puhastus- ja hooldustoiminguid teevad lapsed, tuleb neid kindlasti jälgida.
- ▶ Enne korralist hooldust lahutage seade vooluvõrgust. Enne seadme taaskäivitamist oodake vähemalt viis minutit, sest sagedane käivitamine võib kompressorit kahjustada.



## HOIATUS!

- ▶ Seadme vooluvõrgust lahutamisel hoidke pistikust, mitte kaablist.
- ▶ Seadme puhastamisel ei tohi kasutada abrasiivset harja, traatkäsna, pesuvahendi pulbrit, bensiooni, amüülatsetaati, atsetooni, sarnaseid orgaanilisi lahuseid ega happelisi või leeliselisi lahuseid. Kahjustuste vältimiseks kasutage spetsiaalset külmkapi puhastusvahendit.
- ▶ Ärge kraapige härmatist ja jääd teravate esemetega. Plastosade kahjustuste vältimiseks ärge kasutage pihusteid või elektrilisi soojendusseadmeid, näiteks kuumutit, fööni, aurupuhastit ega muid soojusallikaid.
- ▶ Ärge kasutage sulamisprotsessi kiirendamiseks mehaanilisi vahendeid ega seadmeid, kui tootja ei ole neid selleks otstarbeks soovitanud.
- ▶ Kui toitekaabel on kahjustunud, peab ohtude minimeerimiseks selle välja vahetama tootja, tootja volitatud hooldustehnik või sarnase kvalifikatsiooniga spetsialist.
- ▶ Ärge püüdke seadet ise parandada, lahti võtta ega muuta. Remondi korral võtke ühendust meie klienditeenindusega.
- ▶ Eemaldage seadme tagaküljelt tolmu vähemalt kord aastas, et vältida tuleohtu ja energiatarbimise suurenemist.
- ▶ Ärge pihustage ega loputage seadet puhastamise ajal.
- ▶ Ärge kasutage seadme puhastamiseks veepihustit ega auru.
- ▶ Ärge puhastage külmi klaasriiuleid kuuma veega. Järsk temperatuurimuutus võib põhjustada klaasi purunemise.

## Külmutusagensit puudutav teave



### HOIATUS!

Seadmes on tuleohtlik külmutusagens isobutaan (R600a). Veenduge, et külmutusagensi kontuur ei oleks transpordi või paigaldamise ajal kahjustunud. Lekkiv külmutusagens võib põhjustada silmavigastusi või süttida. Kahjustuse korral hoidke tuleallikad eemal, ventileerige ruum põhjalikult, ärge ühendage ega lahutage seadme või ühegi muu seadme toitejuhtmeid. Teavitage juhtunust klienditeenindust.

Kui külmutusagens peaks sattuma silmadesse, loputage silmi viivitamatult voolava vee all ja võtke kohe ühendust silmaarstiga.



## Sihtotstarve

Seade on mõeldud toiduainete jahutamiseks ja külmutamiseks. See on ette nähtud kasutamiseks kodumajapidamises ja sarnastes kasutuskeskkondades, näiteks kaupluste, kontorite ja tööruumide kööginurkades, talumajapidamistes, hotelli- ja motellitubades ning majutusasutustes, külalistemajades ja toitlustusettevõtetes. See ei ole mõeldud kaubanduslikuks ega tööstuslikuks kasutuseks.

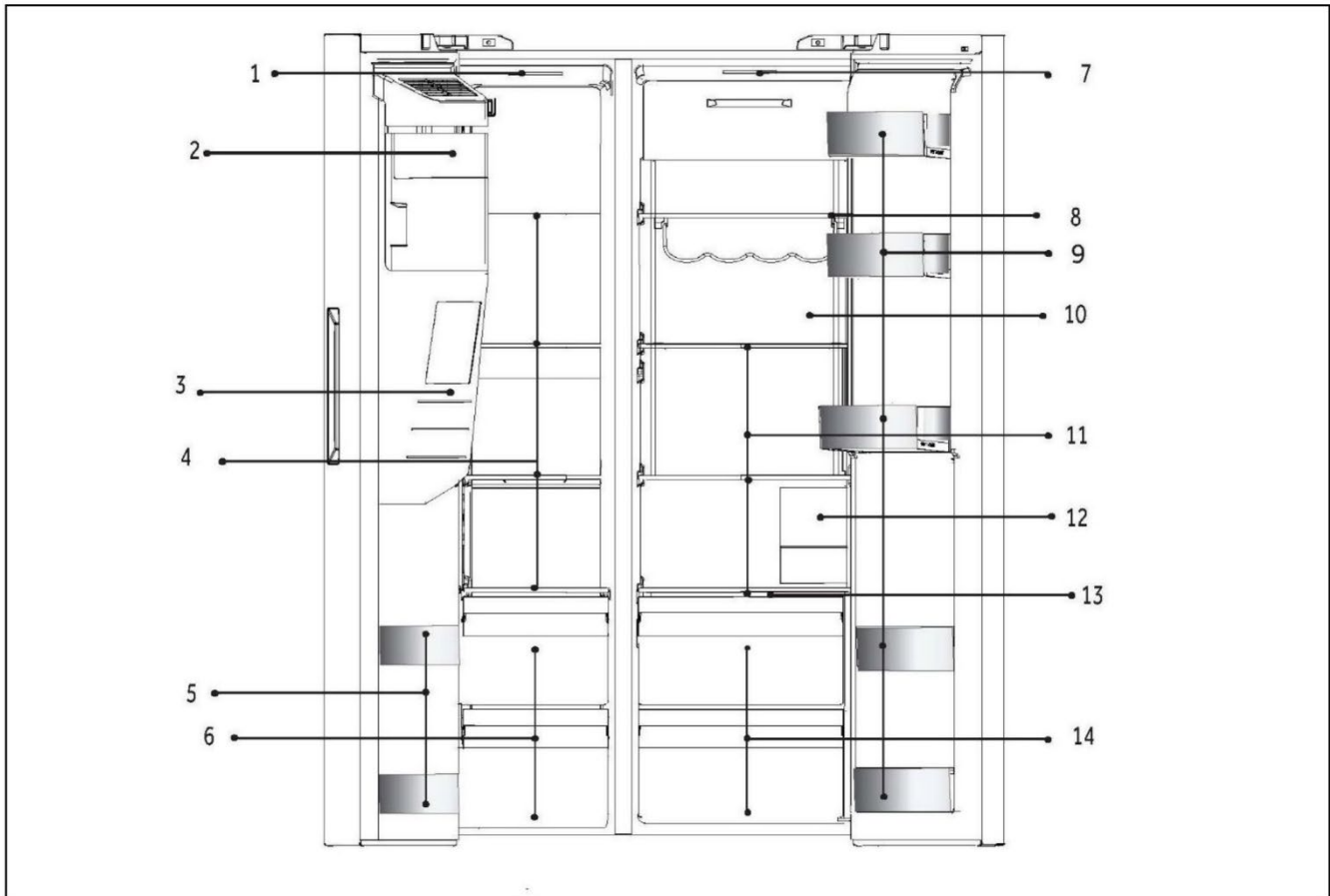
Seadme muutmise või modifitseerimise ei ole lubatud. Kavandatust erinev kasutamine võib endas ohte kätkeada ja garantii tühistada.

## Standardid ja direktiivid ning

Seade vastab kõigi kohaldatavate Euroopa Ühenduse direktiivide ja asjaomaste ühtlustatud standardite ja Ühendkuningriigi standardite nõuetele, mille alusel omistatakse tootele CE- ja UKCA-vastavusmärgised.

## **i** Märkus

Tehniliste muudatuste ja mudelite varieeruvuse tõttu võivad mõned juhendis sisalduvad illustratsioonid konkreetsest mudelist erineda.



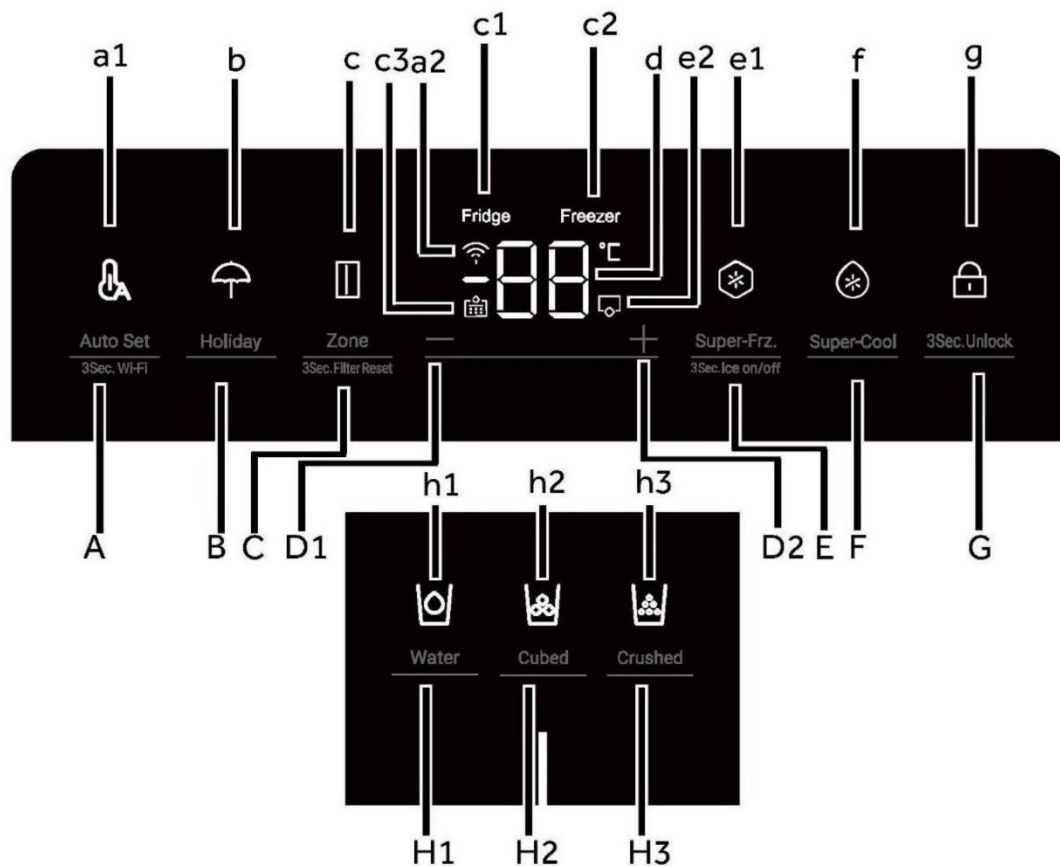
### A: Sügavkülmiku kamber

- 1 Laepaneeli valgusti
- 2 Jäähoidjaga jäämasin
- 3 Vee- ja jäädosaator
- 4 Klaasriulid
- 5 Pudelihoidik
- 6 Sahtlid

### B: Külmiku kamber

- 7 Laepaneeli valgusti
- 8 Veiniriul
- 9 Pudelihoidik
- 10 Tagavalgusti (HSW79F18DIPT)
- 11 Klaasriulid
- 12 Veefilter
- 13 Märja piirkonna katteplaat
- 14 Sahtlid

## Juhtpaneel



Nupud:

- A Funktsioon Auto Set/3Sec.Wi-Fi
- B Energiasäästufunktsioon Holiday
- C Tsooni valimine/3Sec.Filter Reset
- D1 Temperatuuri reguleerimise nupp „-“
- D2 Temperatuuri reguleerimise nupp „+“
- E Funktsioon Super-Freeze /3Sec. Ice on/ off
- F Funktsioon Super-Cool
- G Paneeliluku valits
- H1 Vee sissevoolufunktsiooni valits
- H2 Jääkuubiku funktsiooni valits
- H3 Purustatud jää funktsiooni valits

Indikaatorid:

- a1 Režiim Auto Set
- a2 Wi-Fi-funktsioon
- b Energiasäästufunktsioon Holiday
- c Tsooninäidik
- c1 Külmiku näidik
- c2 Sügavkülmiku näidik
- c3 Filtri lähtestamise funktsioon
- d Temperatuurikuva
- e1 Režiim Super-Freeze
- e2 Jäämasina režiim
- f Režiim Super-Cool
- g Paneelilukk
- h1 Vee sissevoolufunktsioon
- h2 Jääkuubiku funktsioon
- h3 Purustatud jää funktsioon





### Enne esimest kasutuskorda

- ▶ Eemaldage kõik pakendi komponendid, hoidke neid lastele kättesaamatus kohas ja kõrvaldage need keskkonnasäästlikult.
- ▶ Puhastage enne toiduainete külmkappi panemist seda seest ja väljast vee ning õrnatoimelise puhastusvahendiga.
- ▶ Pärast nivelleerimist ja puhastamist oodake vähemalt 2–5 tundi, enne kui ühendate seadme vooluvõrku. Vaadake osa „PAIGALDAMINE“.
- ▶ Enne toiduainete külmkappi panemist eeljahutage kambreid kõrgetel sätetel. Funktsioon Power-Freeze aitab kambreid kiiresti jahutada.
- ▶ Külmiku temperatuuri sätteks määratakse automaatselt 5 °C ja sügavkülmiku temperatuuriks –18 °C. Need on soovituslikud sätted. Soovi korral saate temperatuure käsitsi muuta. Vaadake osa „TEMPERATUURI KOHANDAMINE“.

### Andurnupud

Juhtpaneelil on andurnupud, mis reageerivad juba kergel sõrmepuudutusel.

### Seadme sisse-/väljalülitamine

Seade lülitub vooluvõrku ühendamisel automaatselt sisse.

Kuvatavad temperatuurid näitavad kambri seadistustemperatuure.

Paneelilukk võib aktiveeritud olla.



### Märkus

Kui seade on olnud vooluvõrgust lahutatud, võib pärast külmkapi sisselülitamist ette nähtud temperatuuride saavutamiseks kuni 12 tundi kuluda.

Tühjendage külmkapp enne selle väljalülitamist. Seadme väljalülitamiseks lahutage toitekaabel pistikupesast.

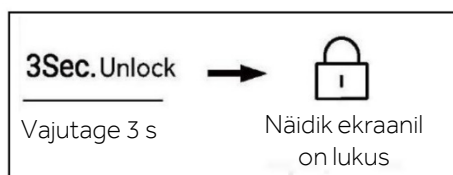


### MÄRKUS

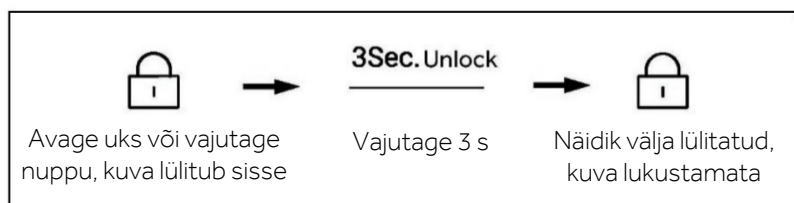
Külmiku esmakordsel sisselülitamisel süttib näidik. Külmiku temperatuuri sätteks määratakse automaatselt 5 °C ja sügavkülmiku temperatuuriks –18 °C.

## Juhtpaneeli lukustamine/lahtilukustamine

1. Automaatne lukustus: Kui külmiku uks ja sügavkülmiku uks on suletud ja 30 sekundi jooksul ühtegi nuppu ei kasutata, lülitub ekraan automaatselt välja ja lukustub



2. Käsi lukustamine: kui ekraani lukustus on avatud, vajutage nuppu G (paneelilukustuse valits) 3 sekundit. Kostub helisignaali, näidik g (paneelilukk) süttib ja ekraan lukustub.



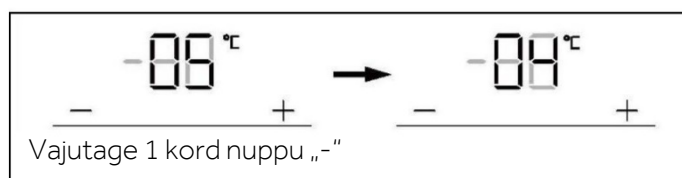
## Kohanda temperatuuri

Külmkapi sisetemperatuuri mõjutavad alljärgnevad tegurid:

- ▶ Ümbritseva õhu temperatuur
- ▶ Ukse avamise sagedus
- ▶ Külmkapis olevate toiduainete kogus
- ▶ Seadme paigalduskoht

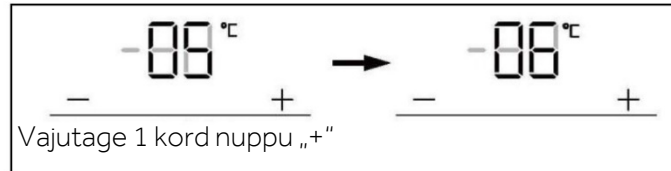
## Külmiku temperatuuri reguleerimine

1. Kui ekraani lukustus on avatud, vajutage nuppu C (tsoonivalits). Kostub helisignaali, näidik c1 (külmiku näidik) vilgub ning avaneb külmiku temperatuuri seadistamise režiim.
2. Vajutage nuppu D1 (temperatuuri reguleerimise nupp „-“) iga kord, kostub üks helisignaali ning külmiku seadistatud temperatuuri alandatakse 1 astme võrra. Külmiku temperatuur kuvatakse järjestuses „9 °C -> 8 °C -> 7 °C -> 6 °C -> 5 °C -> 4 °C -> 3 °C -> 2 °C -> 1 °C“.



### Külmiku temperatuuri reguleerimine

- Vajutage nuppu D2 (temperatuuri reguleerimise nupp „+“) iga kord, kostub üks helisignaal ning külmiku seadistatud temperatuuri tõstetakse 1 astme võrra. Külmiku temperatuur kuvatakse järjestuses „1 °C -> 2 °C -> 3 °C -> 4 °C -> 5 °C -> 6 °C -> 7 °C -> 8 °C -> 9 °C“.

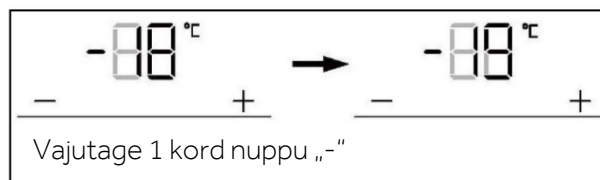


### Märkus

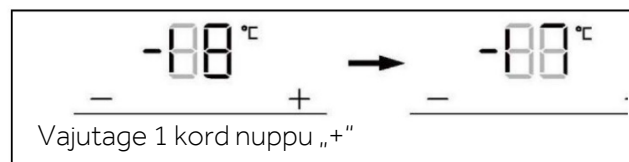
Kui pärast temperatuuri seadistamist 5 sekundi jooksul toiminguid ei tehta, määratakse süsteem automaatselt ja salvestatakse seadistatud temperatuur.

### Sügavkülmiku temperatuuri reguleerimine

- Kui ekraani lukustus on avatud, vajutage nuppu C (tsoonivalits). Kostub helisignaal, näidik c2 (sügavkülmiku näidik) vilgub ning avaneb sügavkülmiku temperatuuri seadistamise režiim.
- Vajutage nuppu D1 (temperatuuri reguleerimise nupp „-“) iga kord, kostub üks helisignaal ning sügavkülmiku seadistatud temperatuuri alandatakse 1 astme võrra. Sügavkülmiku temperatuur kuvatakse järjestuses „-14 °C -> -15 °C -> -16 °C -> -17 °C -> -18 °C -> -19 °C -> -20 °C -> -21 °C -> -22 °C -> -23 °C -> -24 °C“.



- Vajutage nuppu D2 (temperatuuri reguleerimise nupp „+“) iga kord, kostub üks helisignaal ning sügavkülmiku seadistatud temperatuuri tõstetakse 1 astme võrra. Sügavkülmiku temperatuur kuvatakse järjestuses „-24 °C -> -23 °C -> -22 °C -> -21 °C -> -20 °C -> -19 °C -> -18 °C -> -17 °C -> -16 °C -> -15 °C -> -14 °C“.

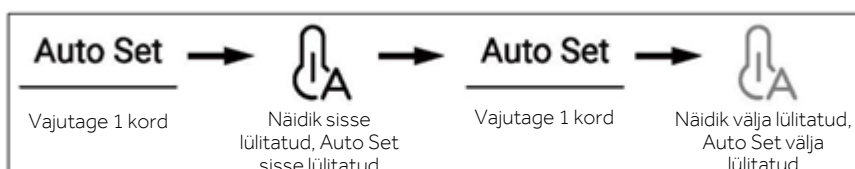


### Märkus

Kui pärast temperatuuri seadistamist 5 sekundi jooksul toiminguid ei tehta, määratakse süsteem automaatselt ja salvestatakse seadistatud temperatuur.

## Režiim Auto Set

1. Kui ekraani lukustus on avatud, vajutage nuppu A (režiimi Auto Set valits), kostub üks helisignaali, näidik a1 (režiim Auto Set) süttib ja seejärel lülitub sisse funktsioon Auto Set.
2. Kui näidik a1 (režiim Auto Set) süttib, vajutage nuppu A (režiimi Auto Set valits), kostub üks helisignaali, näidik a1 (režiim Auto Set) kustub ja seejärel lülitub funktsioon Auto Set välja.



## Märkus

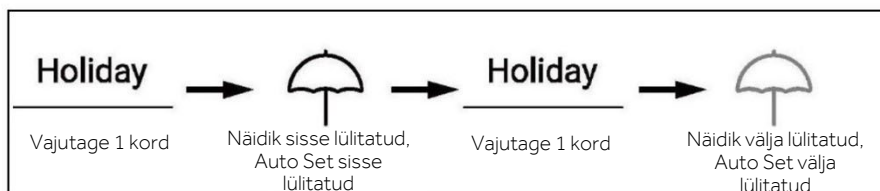
Automaatseadistuse režiimis Auto Set ei saa külmiku ja sügavkülmiku temperatuuri reguleerida. Kui vajutate külmiku või sügavkülmiku temperatuuri reguleerimiseks nuppu D1 (temperatuuri reguleerimise nupp „-“) või nuppu D2 (temperatuuri reguleerimise nupp „+“), hakkab vilkuma näidik a1 (Auto Set näidik), mis annab märku, et seda toimingut ei saa teha.

Kui režiimis Auto Set on erinevate juhtmeetodite tõttu seadistatud funktsioon Super-Cool või Super-Freeze või Holiday, siis näidik a1 (režiim Auto Set) kustub ja seejärel suletakse režiim Auto Set automaatselt.

## Energiasäästufunktsioon Holiday

Holiday režiim on mõeldud külmiku pikaajaliseks mittekasutamiseks. Kui režiim Holiday on sisse lülitatud, juhitakse sügavkülmikut tavapärasel viisil ja külmiku temperatuur on automaatselt 17 °C. Tegelik temperatuur ei ületa 17 °C, mis hoiab ära ülekuumenemisest tingitud omapärase lõhna ja aitab samal ajal vähendada energiatarbimist.

1. Kui ekraani lukustus on avatud, vajutage nuppu B (režiimi Holiday valits), kostub üks helisignaali, näidik b (režiim Holiday) süttib ja seejärel lülitub sisse funktsioon Holiday.
2. Kui näidik b (režiim Holiday) süttib, vajutage nuppu B (režiimi Holiday valits), kostub üks helisignaali, näidik b (režiim Holiday) kustub ja seejärel lülitub funktsioon Holiday välja.



## Märkus

Holiday olekus ei saa külmiku temperatuuri reguleerida. Kui vajutate külmiku temperatuuri reguleerimiseks nuppu D1 (temperatuuri reguleerimise nupp „-“) või nuppu D2 (temperatuuri reguleerimise nupp „+“), hakkab vilkuma näidik b (Holiday näidik), mis annab märku, et seda toimingut ei saa teha.

Enne Holiday funktsiooni kasutamist tühjendage külmik, et vältida toidu riknemist. Kui Holiday funktsioon on sisse lülitatud, ei saa samal ajal sisse lülitada funktsiooni Auto Set või Super-Cool.

### Funktsioon Super-Cool

1. Kui ekraani lukustus on avatud, vajutage nuppu F (Super-Cool valits), kostub üks helisignaal, näidik f (funktsioon Super-Cool) süttib ja seejärel lülitub funktsioon Super-Cool sisse.
2. Kui näidik f (funktsioon Super-Cool) süttib, vajutage nuppu F (Super-Cool valits), kostub üks helisignaal, näidik f (funktsioon Super-Cool) kustub ja seejärel lülitub funktsioon Super-Cool välja.
3. Pärast funktsiooni Super-Cool sisselülitamist lülitab külmik funktsiooni automaatselt välja, kui see on seadistatud temperatuuri saavutanud. Kui soovite väljuda käsitsi, võite selle väljalülitamiseks vajutada nuppu F (Super-Cool valits).



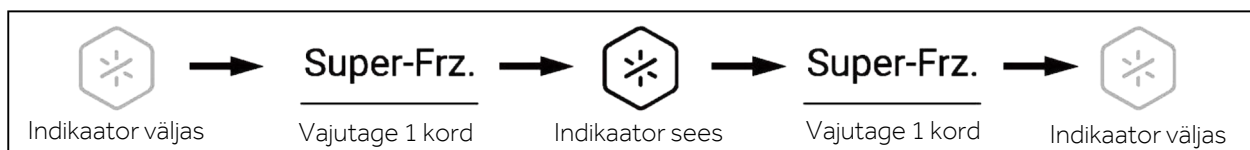
## Märkus

Super-Cool olekus ei saa külmiku temperatuuri reguleerida. Kui vajutate külmiku temperatuuri reguleerimiseks nuppu D1 (temperatuuri reguleerimise nupp „-“) või nuppu D2 (temperatuuri reguleerimise nupp „+“), hakkab vilkuma näidik f (Super-Cool näidik), mis annab märku, et seda toimingut ei saa teha.

Funktsiooni Super-Cool olekus ei saa funktsiooni Auto-Set või Holiday erinevate juhtrežiimide tõttu korrigeerida sisse lülitada. Kui valite ühe funktsiooni, mis on vastuolus teise funktsiooniga, väljub seade automaatselt algsest funktsioonist.

## Superkülmutusfunktsioon Super-Freeze (Super-Frz)

1. Kui ekraani lukustus on avatud, vajutage nuppu E (Super-Frz.-i valits), kostub üks helisignaali, näidik e1 (funktsioon Super-Freeze) süttib ja seejärel lülitub funktsioon Super-Freeze sisse.
2. Kui näidik e1 (funktsioon Super-Freeze) süttib, vajutage nuppu E (Super-Frz.'i valits), kostub üks helisignaali, näidik e1 (funktsioon Super-Freeze) kustub ja seejärel lülitub funktsioon Super-Freeze välja.
3. Pärast funktsiooni Super-Freeze sisselülitamist lülitab külmkapp funktsiooni automaatselt välja, kui see on seadistatud temperatuuri saavutanud. Kui soovite väljuda käsitsi, võite selle väljalülitamiseks vajutada nuppu E (Super-Frz.'i valits).



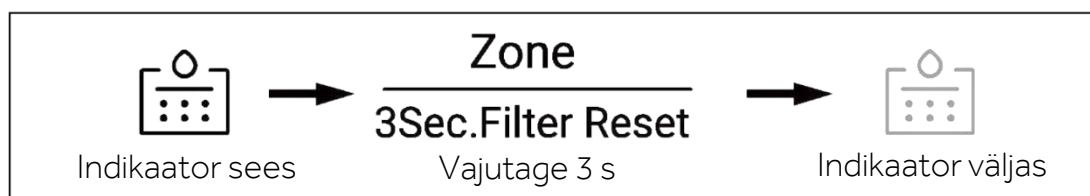
### Märkus

Super-Freeze olekus ei saa sügavkülmiku temperatuuri reguleerida. Kui vajutate sügavkülmiku temperatuuri reguleerimiseks nuppu D1 (temperatuuri reguleerimise nupp „-“) või nuppu D2 (temperatuuri reguleerimise nupp „+“), hakkab vilkuma näidik e1 (Super-Frz.-i näidik), mis annab märku, et seda toimingut ei saa teha.

Funktsiooni Super-Freeze olekus ei saa funktsiooni Auto-Set erinevate juhtrežiimide tõttu korraga sisse lülitada. Kui valite ühe funktsiooni, mis on vastuolus teise funktsiooniga, väljub seade automaatselt algsest funktsioonist.

## Filtri funktsioon

Kui külmik on kuus kuud töötanud, süttib meeldetuletuse näidik c3 (filtri lähtestamise funktsioon), et tuletada kasutajatele meelde filtri vahetamise vajadust. Kui filter on vahetatud, vajutage nuppu C (filtri lähtestamise funktsiooni valits) 3 sekundit, et meeldetuletus tühistada. Loendus lähtestatakse, kui esitatakse helisignaali.

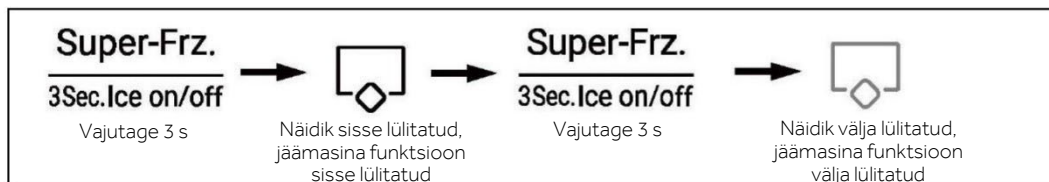


### Märkus

Filtri tavaline tööiga on kuus kuud. Soovitatav on filtrit vahetada iga kuue kuu järel.

## Jäämasina režiim

1. Lukustamata olekus vajutage 3 sekundit nuppu E (jäemasina režiimi valits), kostub helisignaal, näidik e2 (jäemasina režiim) süttib ja seejärel lülitub jäämasina režiim sisse.
2. Kui näidik e2 (jäemasina režiim) süttib, vajutage 3 sekundit nuppu E (jäemasina režiimi valits), kostub üks helisignaal, näidik e2 (jäemasina režiim) kustub ja seejärel lülitub jäämasina režiim välja.



## Märkus

Kui seade sisse lülitatakse, on jäämasin vaikimisi välja lülitatud.

Kui te ei vaja pikemat aega jääkuubikuid, lülitage jäämasina funktsioon välja, tühjendage mahuti ja pange puhastatud mahuti tagasi oma kohale.

Jäämasinat saab konfigureerida ainult tootja juures või osta edasimüüjalt.

## Vee sissevoolufunktsioon

Mis tahes olekus (lukustatud või lukustamata) vajutage nuppu H1 (vee sissevoolufunktsiooni valits), kostub helisignaal, näidik h1 (vee sissevoolufunktsioon) süttib ja seejärel lülitub vee sissevoolufunktsioon sisse.



## Märkus

1. Kui näidik h1 (vee sissevoolufunktsioon) süttib, siis näidik h2 (jääkuubikufunktsioon) ja näidik h3 (purustatud jää funktsioon) kustub. Pärast dosaatori laba vajutamist voolab vesi sissevooluavast välja.
2. Kui vee sissevooluaeg jõuab 150 sekundini, toob külmik kuuldavale helisignaali ja hoiab vett, kuni aeg jõuab 180 sekundini, veevarustus katkeb ja veeklapil käivitub 200 s kaitseaeg, mille lõppedes saab vee võtmist jätkata.
3. Kui kumulatiivne vee sissevooluaeg jõuab 10 minuti jooksul 5 minutini, aktiveerib veeklapp 10-minutilise kaitseaja ja seejärel saab vee sissevoolu jätkata.

## Jääkuubiku funktsioon

Mis tahes olekus (lukustatud või lukustamata) vajutage nuppu H2 (jääkuubikufunktsiooni valits), kostub helisignaal, näidik h2 (jääkuubikufunktsioon) süttib ja seejärel lülitub jääkuubikufunktsioon sisse.

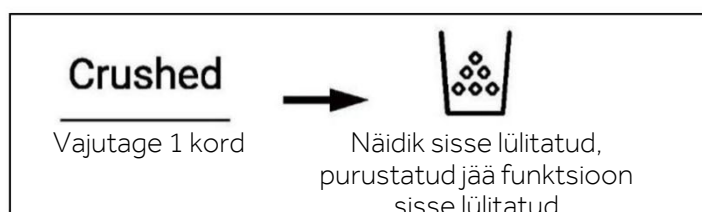


## Märkus

1. Kui näidik h2 (jääkuubikufunktsioon) süttib, siis näidik h1 (vee sissevoolu funktsioon) ja näidik h3 (purustatud jää funktsioon) kustub. Pärast dosaatori mikrolüliti vajutamist voolavad sissevooluavast välja jääkuubikud.
2. Kui jäämasin ühendatakse esmakordselt töötamiseks elektriga, lülitatakse jääkuubikute funktsioon vaikimisi välja.
3. Vajutage dosaatori mikrolüliti, mille tuli süttib, kui selle kate on lahti. Seejärel hakkab jääpurustamise mootor jääkuubikute lükkamiseks vastupäeva pöörlema. Lõdvendage dosaatori mikrolüliti, jääpurustatismootor seiskub, dosaatori kate sulgub ja tuli kustub 5 sekundi pärast.
4. Jääkuubikute olekus, kui jääkuubikute aeg on pikem kui 50 sekundit, hakkab kostuma helisignaali, mis annab kasutajatele märku (koputab), et see tuleb välja lülitada. Kui aeg jõuab 1 minutini, on see sunnitud jääkuubikute valmistamise peatama ja on sisse lülitatud, kui lüliti järgmisel korral vajutatakse.
5. Kui jääkuubikute valmistamise ajal külmiku uks avatakse, peatub jääd ette andev mootor, dosaatori kate sulgub, dosaatori tuli lülitub välja ja jääkuubikute valmistamine seiskub.
6. Kui külmkapi uks on avatud, ei ole lubatud jääd võtta.

## Purustatud jää funktsioon

Mis tahes olekus (lukustatud või lukustamata) vajutage nuppu H3 (purustatud jää valits), kostub helisignaali, näidik h3 (purustatud jää funktsioon) süttib ja seejärel lülitub purustatud jää funktsioon sisse.





## **i** Märkus

Kui näidik h3 (purustatud jää funktsioon) süttib, siis näidik h1 (vee sissevoolu funktsioon) ja näidik h2 (jäakuubikufunktsioon) kustub. Pärast jaoturi mikrolüliti vajutamist voolab sisselaskevast välja purustatud jää.

Vajutage dosaatori mikrolüliti, mille tuli süttib, kui selle kate on lahti. Seejärel hakkab jääpurustamise mootor jäakuubikute lükkamiseks päripäeva pöörlema. Lõdvendage dosaatori mikrolüliti. Jääpurustamismootor seiskub, dosaatori kate sulgub ja tuli kustub 5 sekundi pärast.

Purustatud jää olekus, kui purustatud jää aeg on pikem kui 50 sekundit, hakkab kostuma helisignaal, mis annab kasutajatele märku (koputab), et see tuleb välja lülitada. Kui aeg jõuab 1 minutini, on see sunnitud purustatud jää valmistamise peatama ja on sisse lülitatud, kui lüliti järgmisel korral vajutatakse.

Kui purustatud jää valmistamise ajal külmiku uks avatakse, peatub jääd ette andev mootor, dosaatori kate sulgub, dosaatori tuli lülitub välja ja jää purustamine valmistamine seiskub. Kui külmkapi uks on avatud, ei ole lubatud jääd purustada.

### **Avatud ukse helisignaal**

Kui mõni uks jääb liiga kauaks lahti või ei ole korralikult suletud, teeb külmik määratud intervallide järel piiksu, et tuletada meelde, et uks tuleb õigeaegselt sulgeda.

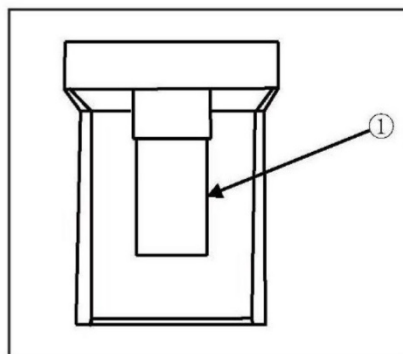
### **Voolukatkestuse aegne sätete talletamine**

Seade peab meeles väljalülitamise hetkel olnud tööoleku. Pärast uuesti sisselülitamist jätkab see tööd vastavalt seadistusele enne väljalülitamist.

### **Jää- ja veedosaatori kasutamine**

Vajutage korduvalt jaoturi valikunuppu, kuni süttib tuli indikaatori kohal, mida valgustada soovite.

Vajutage jaoturi laba (1) klaasi või muu mahutiga, et väljastada jäakuubikuid, vett või purustatud jääd.



# NÕUANDED VÄRSKE TOIDU SÄILITAMISEKS

## Säilitamine külmkapi sahtlis

1. Jälgige, et külmiku temperatuur oleks 5 °C või sellest madalam.
2. Soe toit tuleb enne külmkappi panemist toatemperatuurile jahutada.
3. Teatavad külmkapis hoitavad toiduained tuleks enne külmikusse panemist pesta ja kuivatada.
4. Säilitatav toit peab lõhnade levimise või maitse muutumise vältimiseks hermeetiliselt pakendatud olema.
5. Ärge säilitage liiga suures koguses toitu. Jätke toiduainete vahele ruumi, et külm õhk saaks nende ümber liikuda – see tagab tõhusama ja ühtlasema jahutuse.
6. Igapäevaselt tarbitavaid toiduaineid tuleks hoida riuli eesmisel servas.
7. Paigutage toiduained õhuvoolu tagamiseks siseseintest veidi kaugemale. Ärge hoidke toiduaineid kindlasti külmiku tagaseina vastas, sest sinna paigutatud toit võib külmuda. Vältige toidu (eriti õlise või happelise toidu) otsest kokkupuudet külmkapi sisekülgedega, sest õli/hape võib neid kahjustada. Kõrvaldage külmkappi jäänud õli-/happejäägid.
8. Sulatage külmutatud toiduaineid külmiku kambris. Seeläbi langetavad külmutatud toiduaineid kambri temperatuuri ja aitavad säästa elektrienergiat.
9. Külmkapis hoidmine võib kiirendada teatavate puu- ja köögiviljade (näiteks kabatšokkide, meloni, papaia, banaanide, ananassi jms) roiskumist. Seetõttu ei ole soovitatav neid külmkapis hoida. Külmikus hoidmine võib aga kiirendada mõningate roheliste puuviljade järelvalmimist. Toatemperatuuril tuleks hoida sibulat, küüslauku, ingverit ja muid juurvilju.
10. Ebameeldiv lõhn külmikus viitab sellele, et midagi on maha valgunud ja vajalik on külmkapi puhastamine. Vaadake osa „HOOLDUS JA PUHASTAMINE“.
11. Toiduained tuleb nende omadustest lähtuvalt erinevatesse kohtadesse paigutada.

1 – või, juust jne

2 – munad, konservid, vürtsid jne

3/4/5 – joogid ja vedelad toiduained

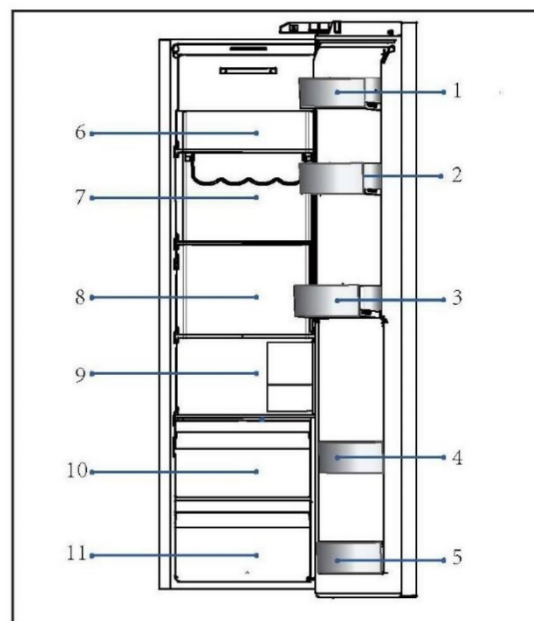
6 – marineeritud ja konserveeritud toiduained jne

7/8 – lihatooted, kala, toortoit

9 – purgid, piimatooted jne

10 – puu- ja köögiviljad, aedsalat jne

11 – küpsetatud liha, vorstid jne

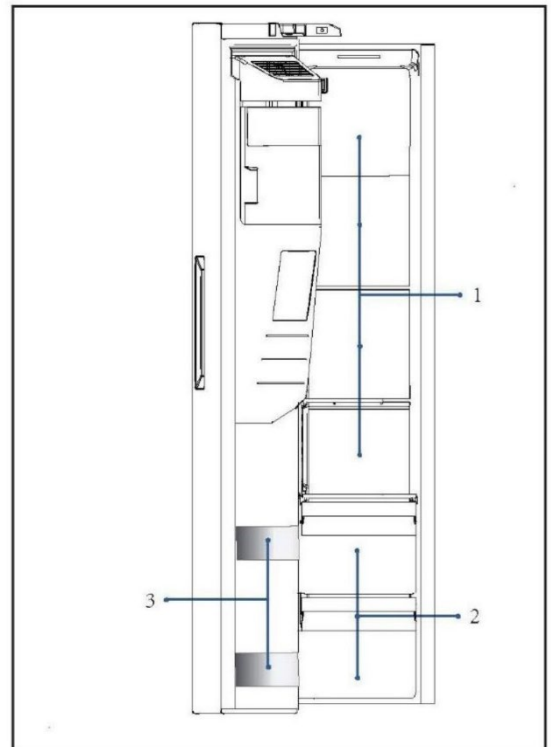


# NÕUANDED VÄRSKE TOIDU SÄILITAMISEKS

## Toiduainete sügavkülmikus säilitamine

1. Jälgige, et sügavkülmiku temperatuur oleks  $-18\text{ }^{\circ}\text{C}$ .
2. Kui vajalik on täiendavate toiduainete külmutamine, on 12 tundi enne seda soovitatav lülitada sisse kiirkülmutusfunktsioon Super-Freeze; väiksemate koguste korral piisab 4–6 tunnist.
3. Soe toit tuleb enne sügavkülmiku kambrisse panemist toatemperatuurile jahutada.
4. Väikesteks portsjoniteks lõigatud toiduained külmuvad kiiremini ning neid on lihtsam sulatada ja küpsetada. Soovituslikult võiks üks portsjon kaaluda vähem kui 2,5 kg.
5. Toiduained tuleks enne sügavkülmikusse panemist pakendada. Pakendi välispind peab olema kuiv, et säilituskotid üksteise külge ei jääks. Pakkevahendid peavad olema lõhnatud, õhukindlad, mittemürgised ja toksiinideta.
6. Märkige pakendile külmutamise kuupäev, säilitusaeg ja toiduaine nimetus – see aitab vältida erinevatele toiduainetele kohalduvate säilitustähtaegade ületamist.
7. **HOIATUS!** Hape, leelis, sool ja muud ained võivad sügavkülmiku sisepinda kahjustada. Ärge asetage selliseid aineid sisaldavaid toiduaineid (näiteks merekala) otse sisepinnale. Sügavkülmikusse loksunud soolane vesi tuleb koheselt eemaldada.
8. Ärge ületage toiduainete tootjate määratletud soovituslikke säilitusaegu. Võtke sügavkülmikust välja vaid vajalik kogus toitu.
9. Toiduained tuleb nende omadustest lähtuvalt erinevatesse kohtadesse paigutada.

- 1- Vähem kaalukad esemed, nagu jäätis, köögiviljad, leib jne.
- 2- Suured/raskemad toiduportsjonid, näiteks kondiga liha grillimiseks jne.
- 3- Pitsa jne.





## MÄRKUS: TOIDUAINETE SÄILITAMINE

1. Jahutuse tagamiseks jälgige, et toiduainete ja sensori vahekaugus oleks suurem kui 10 mm.
2. Jahutusefekti tagamiseks jätke alumine sahtel seadme töötamise ajaks seadmesse.
3. Jääd sisaldavaid toiduaineid (nt jäätist jne) tuleb hoida külmkambris, mitte pudelihoidjates. Temperatuuri muutused, millega pudelihoidjad kokku puutuvad, mis on tingitud ukse avamisest ja sulgemisest, võivad toitu sulatada.
4. Sulatatud toit tuleb tarbida võimalikult kiiresti. Sulatatud toiduaineid ei tohi ilma eelnevalt küpsetamata uuesti külmutada – need võivad muutuda kasutuskõlbmatuks.
5. Ärge pange sügavkülmiku kambrisse ülemäärases koguses uusi toiduaineid. Arvestage sügavkülmiku külmutusvõimsusega – vaadake osa „TEHNILISED ANDMED“ või andmesildil välja toodud spetsifikatsioone.
6. Toiduaineid võib sügavkülmikus, mille temperatuur on vähemalt  $-18^{\circ}\text{C}$ , nende omadustest lähtuvalt 2–12 kuud hoida (näiteks liha võib säilitada 3–12 kuud ja köögivilju 6–12 kuud)
7. Värske toidu külmutamisel vältige selle kokkupuudet juba külmutatud toiduainetega. Kohaldub sulamisoht!
8. Sulatage külmutatud toiduaineid külmikus. Seeläbi langetavad külmutatud toiduaineid kambri temperatuuri ja aitavad säästa elektrienergiat.

### Järgige poest ostetud külmutatud toiduainete säilitamisel alljärgnevaid suuniseid.

1. Järgige säilitusaja osas tootjapoolseid soovitusi. Ärge ületage soovituslikku säilitustähtaega!
2. Külmutatud toiduainete ostmise ja sügavkülmikusse panemise vaheline aeg peab olema võimalikult lühike – see aitab toidu kvaliteeti alal hoida.
3. Ostke külmutatud toiduained, mida on säilitatud temperatuuril  $-18^{\circ}\text{C}$  või madalamal temperatuuril.
4. Hoiduge selliste toiduainete ostmisest, mille pakendil on jää või härmatis, mis viitab sellele, et tooted võivad olla osaliselt sulanud ja seejärel uuesti külmutatud. Säilitusaegne vahepealne temperatuuri tõus mõjutab toidu kvaliteeti.

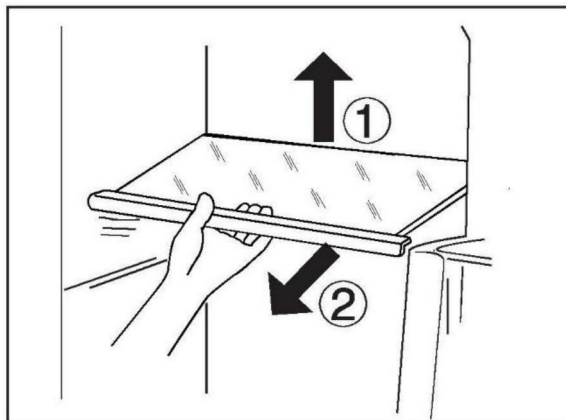


## Nõuanded energiatarbe vähendamiseks

- ▶ Veenduge, et seadme ventilatsioon vastab nõuetele (vaadake osa „PAIGALDAMINE“).
- ▶ Ärge paigutage seadet otsese päikesevalguse kätte ega soojusallikate (näiteks ahju või kütteseadme) lähedusse.
- ▶ Hoiduge tarbetult madalate temperatuuride seadistamisest. Mida madalam on temperatuuri säte, seda suurem on seadme energiatarve.
- ▶ Energiatarve suureneb mõningate funktsioonide (näiteks kiirkülmutusfunktsiooni POWER-FREEZE) kasutamisel.
- ▶ Laske soojal toidul enne selle külmkappi panemist maha jahtuda.
- ▶ Hoidke seadme ust võimalikult vähest aega avatuna.
- ▶ Õhuvoolu takistuste välistamiseks ärge täitke külmkappi liigselt.
- ▶ Jälgige, et toiduainete pakendites oleks võimalikult vähe õhku.
- ▶ Uksetihend peab olema puhas, et uks korralikult sulguks.
- ▶ Sulatage külmutatud toiduaineid külmiku kambris.
- ▶ Kõige energiasäästlikum konfiguratsioon nõuab, et seadme sahtlid, toidukast ja riiulid oleksid tehaseseisukorras ning toit tuleks paigutada nii kaugele kui võimalik ilma õhukanali väljalaskeavasid blokeerimata.

## Reguleeritavad riiulid

1. Riiulite kõrgust saab hoiustamisvajadustest lähtuvalt kohandada.
2. Riiuli ümberpaigutamiseks eemaldage see esmalt, tõstes selle tagaserva ① ja tõmmates selle välja ②.
3. Riiuli uuesti külmikusse paigutamiseks asetage see kummalgi küljel olevatele eenditele ja lükake riiulit tahapoole, kuni selle tagaserv on külgedel olevatesse süvenditesse fikseeritud

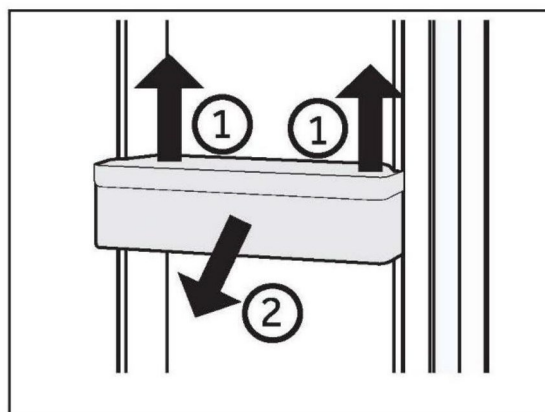


## **i** MÄRKUS

Veenduge, et riiul on ühetasaselt paigutatud.

## Eemaldatavad ukseriiulid/pudelihoidik

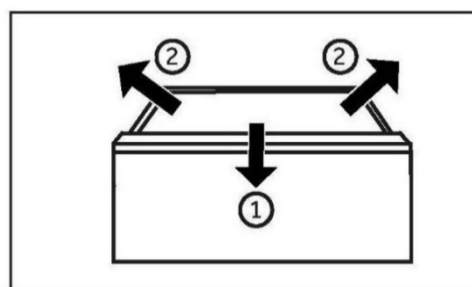
1. Ukseriiulid/pudelihoidiku saab puhastamiseks eemaldada:
2. Asetage käed riiulite / pudelihoidiku mõlemale küljele, tõstke seda ülespoole ① ja tõmmake välja ②.
3. Ukseriuli/pudelihoidiku tagasi oma kohale panemiseks tehke ülaltoodud toimingud vastupidises järjekorras.



## Eemaldatav sahtel

Sahtli väljavõtmiseks tõmmake see maksimaalselt välja ①, tõstke ja eemaldage ②.

Sahtli tagasi oma kohale panemiseks tehke ülaltoodud toimingud vastupidises järjekorras.



## Jäämahuti

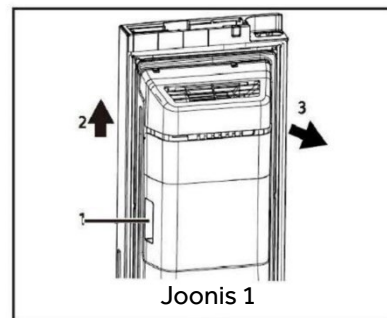
### Jää valmistamise peatamine

Kui pikema aja jooksul ei ole jääd ega vett tarvis, võib veevarustuse ja seadme vahelise ventiili välja lülitada.

Jääkast tuleb lõhnade tekkimise vältimiseks puhastada, kuivatada ja seadmesse tagasi panna.

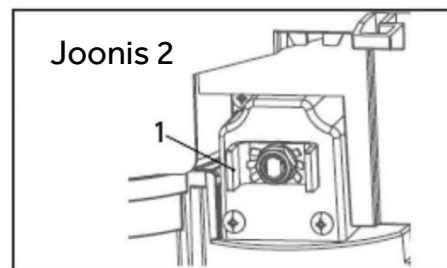
## Jäämahuti eemaldamine

1. Haarake mõlemast külgkäepidemest.
2. Tõstke mahuti üles.
3. Tõmmake mahuti välja.



## Jäämahuti paigaldamine

Jäämahuti uuesti paigaldamiseks peab jäämahuti taga olev U-kujuline klamber (joonisel 2 nr 1) olema joondatud vastava metallkonstruktsiooniga. Tehke joonisel 1 toodud toimingud vastupidises järjekorras.



## MÄRKUS

Niiskus võib jääkasti kondenseerida ja jäätada.



### HOIATUS!

Enne puhastamist lahutage seade vooluvõrgust.

#### Puhastamine

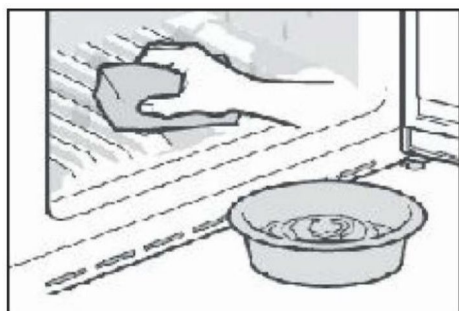
Puhastage külmkappi siis, kui selles on vähe toiduaineid või see on tühi.

Külmkappi tuleb puhastada iga nelja nädala järel – see tagab seadme nõuetekohase hoolduse ja aitab vältida ebameeldiva lõhna teket.



### HOIATUS!

- ▶ Seadme puhastamisel ei tohi kasutada abrasiivset harja, traatkäsna, pesuvahendi pulbrit, bensini, amüülatsetaati, atsetooni, sarnaseid orgaanilisi lahuseid ega happelisi või leeliselisi lahuseid. Kahjustuste vältimiseks kasutage spetsiaalset külmkapi puhastusvahendit.
- ▶ Ärge pihustage ega loputage seadet puhastamise ajal.
- ▶ Ärge kasutage seadme puhastamiseks veepihustit ega auru.
- ▶ Ärge puhastage külmi klaasriiuleid kuuma veega. Järsk temperatuurimuutus võib põhjustada klaasi purunemise.
- ▶ Ärge puudutage sügavkülmiku kambri sisepinda, sest käed võivad kambri sisepinna külge jääda. Eriti kohaldub see siis, kui käed on märjad.
- ▶ Kütteperioodil kontrollige külmutatud toiduainete seisundit.



- ▶ Jälgige, et uksetihend oleks alati puhas.
  - ▶ Puhastage seadme sisemust ja korpust soojas vees ning neutraalses puhastusvahendis niisutatud svammiga.
1. Puhastage külmiku sisemust ja välispinda, sealhulgas uksetihendit, ukseraami, klaasriiuleid, kaste jne, pehme rätiku või käsna, mis on kastetud sooja vette (millesse võib lisada neutraalset pesuvahendit).
  2. Vedeliku mahavalgumise korral eemaldage kõik märdunud osad, loputage otse voolava veega, kuivatage ja asetage tagasi külmkappi.
  3. Mahavoolanud koore (nt koor, sulav jäätis) korral eemaldage kõik saastunud osad, asetage need mõneks ajaks sooja vette temperatuuril umbes 40 °C, seejärel loputage voolava veega, kuivatage ja asetage tagasi külmikusse.
  4. Kui külmiku sisse (riiulite või sahtlite vahele) satub mõni väike osa või komponent, kasutage selle vabastamiseks väikest pehmet harja. Kui te ei ulatu osani, võtke ühendust Haieri teenindusega.
- ▶ Loputage ja kuivatage pehme riidelapiga.
  - ▶ Ärge puhastage seadme osi nõudepesumasinas.
  - ▶ Enne seadme taaskäivitamist oodake vähemalt viis minutit, sest sagedane käivitamine võib kompressorit kahjustada.

#### Sulatamine

Külmiku ja sügavkülmiku kambrite sulatamine on automaatne, nende käsitsi sulatamine ei ole vajalik.



### Valgusdiodi vahetamine

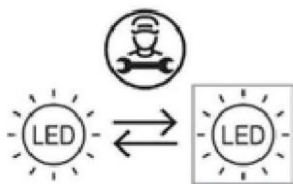
#### HOIATUS!

Ärge asendage valgusdiodiga valgustit ise, seda võib vahetada vaid tootja või volitatud hooldustehnik.

Valgusallikaks on valgusdiod, millel on väike energiatarve ja pikk kasutusiga.

Valgustiga seotud probleemide korral võtke ühendust klienditeenindusega.

Vaadake osa „KLIENDITEENINDUS“.



Valgusallikat (ainult LED) võib vahetada ainult asjatundja.

Toode sisaldab G-klassi valgusallikat.

Külmkapi sektsioon	Pinge	Energiatõhususe klass	Mudel
Külmik	12 V	G	HSW59F18DIMM
Sügavkülmik	12 V	G	HSW79F18DIPT
Tagavalgusti	12 V	G	HSW79F18DIPT

### Jäämahuti puhastamine

Puhastage jäämahutit regulaarselt sooja veega, eriti kui jääkuubikud on vanad ja kaua seisnud. Kuivatage mahuti korralikult enne selle seadmesse tagasi panemist, et vältida jääkuubikute kleepumist seinte külge.

### Pikaajaline mittekasutamine

Toimige alljärgnevalt, kui te ei kavatse külmkappi pikemal ajaperioodil kasutada ning te ei soovi aktiveerida külmiku energiasäästufunktsiooni Holiday.

- ▶ Võtke toiduained külmkapist välja.
- ▶ Lahutage toitekaabel.
- ▶ Puhastage seadet eespool kirjeldatud viisil.
- ▶ Hoidke ukсед lahti, et vältida halbade lõhnade teket seadme sees.

#### MÄRKUS

Lülitage külmkapp välja vaid siis, kui see on vältimatult vajalik.



### Seadme teisealdamine

1. Võtke toiduained külmkapist välja ja lahutage seade vooluvõrgust.
2. Fikseerige riulid ning külmiku ja sügavkülmiku muud liikuvad osad kleeplindiga.
3. Külmkappi ei tohi külmutussüsteemi kahjustuste vältimiseks kallutada rohkem kui 45 kraadi.



### HOIATUS!

- ▶ Ärge tõstke külmkappi selle käepidemetest.
- ▶ Ärge asetage seadet horisontaalselt põrandapinnale.

### Filtri vahetamine

Veefiltrit tuleb vahetada umbes iga 6 kuu järel, kui näidik c3 (filtri lähtestamise funktsioon) süttib.

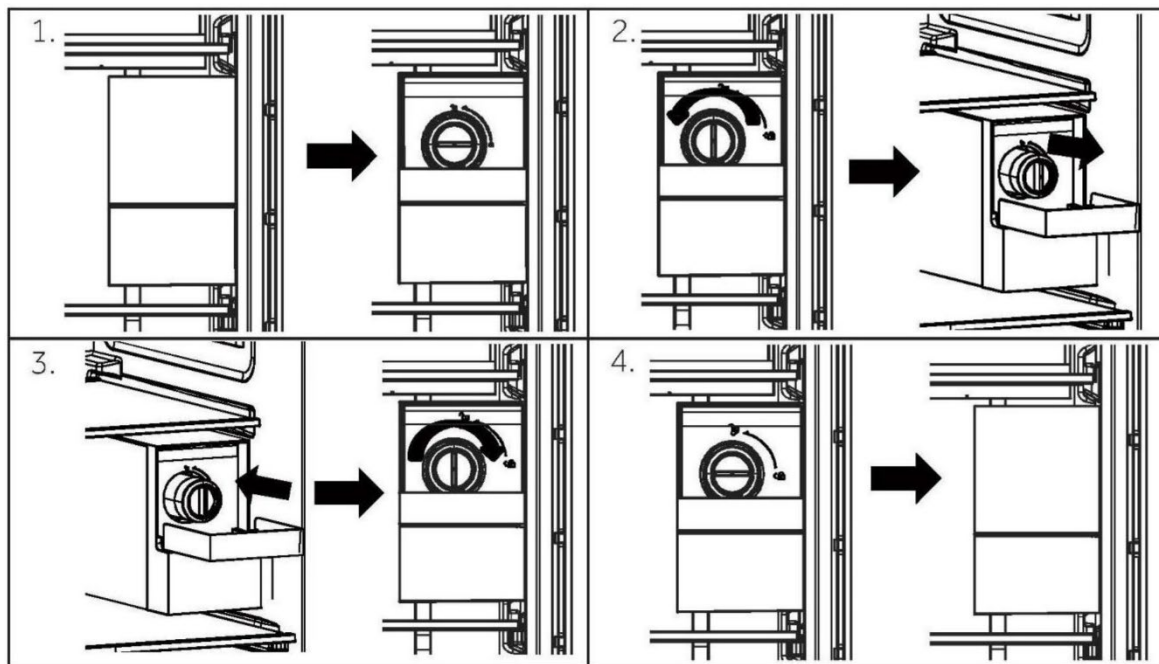
Asendusveefiltri ostmiseks:

- Kasutage asenduskasseti: HRXWF,
- Külstage kohaliku edasimüüjat või edasimüüjat. Täiendava abi saamiseks külstage meie veebisaiti [www.haierspares.eu](http://www.haierspares.eu)



### Märkus

- ▶ Veefiltri vahetamine põhjustab väikese veekoguse (umbes 1 unts või 25 cm<sup>3</sup>) äravoolu.
  - ▶ Lekkiva vee kogumiseks mähkige veefiltri kate esiosa ümber riie. Hoidke veefiltrit pärast eemaldamist püstiasendis, et vältida järelejäänud vee lekkimist.
1. Vajutage ülemise kate keskosa ja keerake katet alla.
  2. Eemaldage ühekordselt kasutatav veefilter.
  3. Asendage see uue veefiltriga. Sisestage uus filter filtripeasse ja keerake seda päripäeva, kuni nool uuel filtril joondub noolega filtripeal. Lükake filter tagasi sahtlisse.
  4. Sulgege veefiltri kate.



5. Vajutage 3Sec. Filter Reset nuppu 3 sekundit.
6. Laske veel umbes 5 minutit voolata, et kõrvaldada sinna jäänud õhk ja saasteained.



## ETTEVAATUST!

- ▶ Kui filtreid ei vahetata vajaduse korral või kasutatakse Haieri heakskiiduta veefiltreid, võib filtrikassett lekkida ja põhjustada varalist kahju.

### Veefilter

#### Mudel: Haier HRXWF

- ▶ IAPMO R&T poolt NSF/ANSI standardite 42, 53, 401 ja P473 kohaselt sertifitseeritud süsteem andmelehel ja aadressil [iapm.org](http://iapm.org) täpsustatud nõuete vähendamiseks.
- ▶ Tegelik toimivus võib olenevalt kohalikest veeoludest erineda.

#### Rakendusjuhised/veevarustuse parameetrid

Teenindusvoog: 0,5 g/min (1,89 l/min)

Veevarustus: Joogivesi

Veesurve: 25-120 psi (172-827 kPa)

Veetemperatuur: 0,6–38 °C

Maht: 170 gallonit (643,5 liitrit)



On oluline, et tootja soovitatud paigaldus-, hooldus- ja filtrivahetusnõuded oleksid täidetud, et toode toimiks nii, nagu reklaamitud. Garantiiteavet vaadake paigaldusjuhendist.



### Märkus

Kuigi testimine viidi läbi standardsetes laboritingimustes, võivad tegelikud tulemused varieeruda. Asenduskassett: HRXWF Asenduselementide hinnangulised kulud leiate meie veebisaidilt [www.haierspares.eu](http://www.haierspares.eu).



### HOIATUS!

- ▶ Saasteainete allaneelamisega seotud riski vähendamiseks:
- ▶ Mitte kasutada mikrobioloogiliselt ohtliku või tundmatu kvaliteediga veega ilma piisava desinfitseerimiseta enne ja pärast süsteemi. Ummistuste vähendamiseks sertifitseeritud süsteemi võib kasutada desinfitseeritud vees, mis võib sisaldada filtreeritavaid tsüste.



### Märkus

**Vee lekke- või üleujutusohu vähendamiseks ja filtri optimaalse jõudluse tagamiseks toimige järgmiselt.**

- ▶ Enne süsteemi paigaldamist ja kasutamist lugege ja järgige kasutusjuhiseid.
- ▶ Paigaldamine ja kasutamine PEAB vastama kõigile riiklikele ja kohalikele sanitaartechnilistele eeskirjadele.
- ▶ Ärge paigaldage seadet, kui veesurve ületab 827 kPa (120 psi). Kui teie veesurve ületab 552 kPa (80 psi), peate paigaldama rõhupiirikuklapi. Kui te ei ole kindel, kuidas veesurvet kontrollida, võtke ühendust sanitaartechnikuga.
- ▶ Ärge paigaldage seadet kohtadesse, kus võib esineda hüdraulilisi lööke. Sellise ohu korral peate paigaldama hüdrauliliste löökide tõkesti. Kui te ei ole kindel, kuidas seda seisundit kontrollida, võtke ühendust sanitaartechnikuga.
- ▶ Ärge paigaldage kuumaveetorustikule. Selle filtrisüsteemi maksimaalne vee töötemperatuur on 38 °C.
- ▶ Kaitske filtrit külmumise eest. Tühjendage filter, kui temperatuur langeb alla 0,6 °C.
- ▶ Vahetage ühekordselt kasutatavat filtrikasseti iga kuue kuu järel või varem, kui täheldate vee voolukiiruse märgatavat vähenemist.
- ▶ Ühekordselt kasutatava filtrikasseti asendamata jätmine soovitatud ajavahemike järel võib vähendada filtri jõudlust ja põhjustada pragusid filtri korpuses, põhjustades veelekkeid või vee sissevoolu.
- ▶ Süsteemi on testitud vastavalt standarditele NSF/ANSI 42, 53, 401 ja P473 allpool loetletud ainete vähendamiseks. Näidatud ainete kontsentratsioon süsteemi sisenevas vees vähendati kontsentratsioonini, mis on väiksem või võrdne süsteemist väljuva vee lubatud piirnõrmiga, nagu on sätestatud NSF/ANSI 42, 53, 401 ja P473.

Paljusid tekkida võivaid probleeme saab kõrvaldada ilma mingite eriteadmisteta. Probleemide korral järgige allpool välja toodud suuniseid, enne kui võtate ühendust müügijärgse teenindusega. Vaadake osa „KLIENDITEENINDUS“.



## HOIATUS!

- ▶ Enne hooldustoiminguid lahutage seadme väljalülitamiseks toitepistik pistikupesast.
- ▶ Elektriseadmete remonditöid võivad teha vaid kvalifitseeritud elektrikud, sest ebaõige remondiga võivad kaasneda märkimisväärsed kahjustused.
- ▶ Kahjustunud toitekaabli võib ohtude minimeerimiseks välja vahetada üksnes tootja, tootja volitatud hooldustehnik või sarnase kvalifikatsiooniga spetsialist.

Probleem	Võimalik põhjus	Võimalik lahendus
Kompressor ei tööta.	<ul style="list-style-type: none"> <li>• Toitepistik ei ole voluvõrku ühendatud.</li> <li>• Aktiveeritud on seadme sulatustsükkel</li> </ul>	<ul style="list-style-type: none"> <li>• Ühendage toitepistik.</li> <li>• See on automaatse sulatamise korral normaalne</li> </ul>
Seade käivitub sageli või on selle käitustsükkel liiga pikk.	<ul style="list-style-type: none"> <li>• Sise- või välistemperatuur on liiga kõrge.</li> <li>• Seade on olnud pikemat aega välja lülitatud.</li> <li>• Seadme uks ei ole korralikult suletud.</li> <li>• Ust avatakse liiga sageli või hoitakse seda liiga kaua lahti.</li> <li>• Sügavkülmiku kambri temperatuur on valitud liiga madal temperatuuri säte.</li> <li>• Ukse tihend on määrdunud, kulunud, pragunenud või mittesobiv.</li> <li>• Õhuringlus ei vasta nõuetele.</li> </ul>	<ul style="list-style-type: none"> <li>• Sellisel juhul on normaalne, kui käitustsükkel on tavalisest pikem.</li> <li>• Üldjuhul kulub seadmel ette nähtud temperatuuri saavutamiseks 8–12 tundi.</li> <li>• Sulgege uks/sahtel, kontrollige, kas seade paikneb ühetasasel pinnal, ning veenduge, et mõni toiduaine või anum ei takista ukse sulgemist.</li> <li>• Hoiduge ukse/sahtli liiga sagedasest avamisest.</li> <li>• Tõstke temperatuuri sätet, kuni saavutate rahuldava külmkapi temperatuuri. Külmkapi temperatuuri stabiliseerumiseks kulub 24 tundi.</li> <li>• Puhastage ukse/sahtli tihend või laske klientideenindusel see asendada.</li> <li>• Tagage küllaldane ventilatsioon.</li> </ul>
Külmkapi sisemus on määrdunud ja/või lõhnab.	<ul style="list-style-type: none"> <li>• Vajalik on külmkapi sisemuse puhastamine.</li> <li>• Külmkapis hoitakse intensiivse lõhnaga toitu.</li> </ul>	<ul style="list-style-type: none"> <li>• Puhastage külmkapi sisemus.</li> <li>• Pakendage toit korralikult ja õhukindlalt.</li> </ul>



Probleem	Võimalik põhjus	Võimalik lahendus
Seadmest kostab anomaalseid helisid.	<ul style="list-style-type: none"><li>Seade ei paikne ühetasasel pinnal.</li><li>Seade on mõne läheduses paikneva eseme vastas.</li></ul>	<ul style="list-style-type: none"><li>Reguleerige seadme nivelleerimiseks jalgu.</li><li>Eemaldage seadme vahetust ümbrusest esemed.</li></ul>
Seadme sisetemperatuur ei ole piisavalt madal.	<ul style="list-style-type: none"><li>Temperatuur on seadistatud liiga kõrgele sättele. Külmkappi on pandud liiga soe toit.</li><li>Külmkapis hoitakse liiga paljusid toiduaineid.</li><li>Toiduained on üksteisele liiga lähedale paigutatud.</li><li>Seadme uks/sahtel ei ole korralikult suletud.</li><li>Ust/sahtlit avatakse liiga sageli või hoitakse seda liiga kaua lahti.</li></ul>	<ul style="list-style-type: none"><li>Lähtestage temperatuur.</li><li>Jahutage soe toit enne selle külmkappi panemist.</li><li>Jälgige, et säilitatavate toiduainete kogus poleks ülemäära suur.</li><li>Jätke vajaliku õhuvoolu tagamiseks toiduainete vahele veidi ruumi.</li><li>Sulgege uks/sahtel.</li><li>Hoiduge ukse/sahtli liiga sagedasest avamisest.</li></ul>
Seadme sisetemperatuur on liiga madal.	<ul style="list-style-type: none"><li>Temperatuur on seadistatud liiga madalale sättele. Funktsioon Super-Frz/ Super-Cool on aktiveeritud või töötab liiga kaua.</li></ul>	<ul style="list-style-type: none"><li>Lähtestage temperatuur.</li><li>Lülitage Super-Frz/ Super-Cool funktsioon välja</li></ul>
Külmiku kambris tekib kondensaat.	<ul style="list-style-type: none"><li>Ümbritsev keskkond on liiga soe ja liiga niiske.</li><li>Seadme uks/sahtel ei ole korralikult suletud.</li><li>Ust/sahtlit avatakse liiga sageli või hoitakse seda liiga kaua lahti.</li><li>Toiduanumad või vedelikke sisaldavad nõud on katmata.</li></ul>	<ul style="list-style-type: none"><li>Tõstke temperatuuri sätet.</li><li>Sulgege uks/sahtel.</li><li>Hoiduge ukse/sahtli liiga sagedasest avamisest.</li><li>Laske kuumal toidul enne selle külmkappi panemist toatemperatuurile jahtuda ning katke toidud ja vedelikud.</li></ul>
Külmkapi välispinnale, uste vahele või ukse ja sahtli vahele koguneb kondensaati.	<ul style="list-style-type: none"><li>Ümbritsev keskkond on liiga soe ja liiga niiske.</li><li>Uks ei ole nõuetekohaselt suletud. Seadmesisese külma õhu ja ümbritseva keskkonna sooja õhu kokkupuutel tekib kondensaat.</li></ul>	<ul style="list-style-type: none"><li>See on niisketes ilmastikuoludes normaalne ja muutub niiskustaseme langedes.</li><li>Jälgige, et uks/sahtel oleks korralikult suletud.</li></ul>

Probleem	Võimalik põhjus	Võimalik lahendus
Sügavkülmiku kambri on liigselt jääd ja härmatist.	<ul style="list-style-type: none"> <li>Toiduained ei olnud nõuetekohaselt pakendatud.</li> <li>Seadme uks/sahtel ei ole korralikult suletud.</li> <li>Ust/sahtlit avatakse liiga sageli või hoitakse seda liiga kaua lahti.</li> <li>Ukse/sahtli tihend on määrdunud, kulunud, pragunenud või mittesobiv.</li> <li>Sees ei võimalda miski ust/sahtlit korralikult sulgeda.</li> </ul>	<ul style="list-style-type: none"> <li>Pakendage toiduained alati korralikult.</li> <li>Sulgege uks/sahtel.</li> <li>Hoiduge ukse/sahtli liiga sagedasest avamisest.</li> <li>Puhastage ukse/sahtli tihend või laske see uuega asendada.</li> <li>Paigutage ukse/sahtli nõuetekohaseks sulgemiseks riiulid, ukseriivulid või külmkapis olevad toiduanumad ümber.</li> </ul>
Külmkapi küljed ja ukseleht soojenevad.	<ul style="list-style-type: none"> <li>-</li> </ul>	<ul style="list-style-type: none"> <li>See on normaalne.</li> </ul>
Seadmest kostab anomaalseid helisid.	<ul style="list-style-type: none"> <li>Seade ei paikne ühetasasel pinnal.</li> <li>Seade on mõne läheduses paikneva eseme vastas.</li> </ul>	<ul style="list-style-type: none"> <li>Reguleerige seadme nivelleerimiseks jalgu.</li> <li>Eemaldage seadme vahetust ümbrusest esemed.</li> </ul>
Seadmest kostab vee voolamisele sarnane tasane heli.	<ul style="list-style-type: none"> <li>-</li> </ul>	<ul style="list-style-type: none"> <li>See on normaalne.</li> </ul>
Seade genereerib helisignaali.	<ul style="list-style-type: none"> <li>Külmiku kambri uks on lahti.</li> </ul>	<ul style="list-style-type: none"> <li>Sulgege uks.</li> </ul>
Seadmest kostab vaikne surisev heli.	<ul style="list-style-type: none"> <li>Kondensniiskust vähendav süsteem on sisse lülitunud</li> </ul>	<ul style="list-style-type: none"> <li>See aitab vältida kondenseerumist ja on normaalne</li> </ul>
Seadme sisevalgusti või jahutussüsteem ei tööta.	<ul style="list-style-type: none"> <li>Toitepistik ei ole vooluvõrku ühendatud.</li> <li>Seadme toitevarustus puudub.</li> <li>Valgusdiodiga valgusti on kahjustunud.</li> </ul>	<ul style="list-style-type: none"> <li>Ühendage toitepistik.</li> <li>Kontrollige ruumi elektrivarustust. Vajadusel helistage elektriettevõttesse.</li> <li>Helistage valgusti asendamiseks teenindusse.</li> </ul>
Vesi lekib või tilgub veedosaatori väljavoolutorust.	<ul style="list-style-type: none"> <li>Veepaak ei ole õigesti paigaldatud</li> <li>Veemahuti tila ei ole paagi külge kruvitud.</li> <li>Veetilal puudub valge silikoonist rõngastihend.</li> </ul>	<ul style="list-style-type: none"> <li>Paigaldage veepaak külmkapi ukse sisse ja veenduge, et see on täielikult ukse sisse lükatud.</li> <li>Veetila kruvitakse kindlalt veepaagi külge.</li> <li>Kontrollige, et veetilal on paagipoolses otsas valge silikoonist rõngastihend, enne kui veetila veepaagi külge paigaldate.</li> </ul>



Tehnilise toega ühendust võtmiseks avage veebileht <https://corporate.haier-europe.com/en/>. Seejärel valige asjaomane tootemark ja riik. Teid suunatakse konkreetsele veebilehele, kust leiate telefoninumbri ja vormi tehnilise toega ühendust võtmiseks.

## Voolukatkestus

Voolukatkestuse korral peaks toit umbes 5 tundi ohutult külmana püsima. Järgige pikaajalise voolukatkestuse korral alljärgnevat soovitusi, millest kinnipidamine on eriti oluline suvel.

- ▶ Avage ust/sahtlit nii harva kui võimalik.
- ▶ Voolukatkestuse korral ärge pange külmkappi uusi toiduaineid.
- ▶ Kui voolukatkestusest on ette teatatud ja katkestus kestab kauem kui 5 tundi, valmistage jääd, pange see sobivasse anumasse ja asetage külmiku kambri ülemisse sektsiooni.
- ▶ Kohe pärast toitevarustuse taastumist on vajalik toiduainete ülevaatus.
- ▶ Külmkapi sisetemperatuur tõuseb voolukatkestuse või muu rikke korral, mistõttu vähenevad nii toiduainete säilivusaeg kui ka nende kvaliteet ja söödavus. Terviseriskide minimeerimiseks tuleks kõik üles sulanud toiduained koheselt tarbida või küpsetada ja uuesti külmutada (kui see on asjakohane).



## MÄRKUS. Voolukatkestuse aegne sätete talletamine

Pärast toitevarustuse taastumist lülitub seade sisse toitekatkestusele eelnenud sätetega.



## Lahtipakkimine



### HOIATUS!

- ▶ Seade on raske. Seda peab teisaldama vähemalt kaks inimest.
- ▶ Hoidke kõiki pakendi komponente lastele kättesaamatus kohas ja kõrvaldage need keskkonnasäästlikult.
- ▶ Võtke seade pakendist välja.
- ▶ Eemaldage kõik pakendi komponendid.

## Keskkonnatingimused

Toatemperatuur peaks alati jääma vahemikku 10–43 °C, sest see võib mõjutada seadmesisest temperatuuri ja külmkapi energiatarvet. Ärge paigaldage seadet ilma isolatsioonita muude soojust kiirgavate seadmete (näiteks ahju või teise külmiku) lähedusse.

- Subnormaalne (SN): see külmutusseade on ette nähtud kasutamiseks ümbritseva õhu temperatuuril 10 °C kuni 32 °C.
- Parasvööde (N): see külmutusseade on ette nähtud kasutamiseks ümbritseva õhu temperatuuril 16 °C kuni 32 °C.
- Subtroopiline (ST): see külmutusseade on ette nähtud kasutamiseks ümbritseva õhu temperatuuril 16 °C kuni 38 °C.

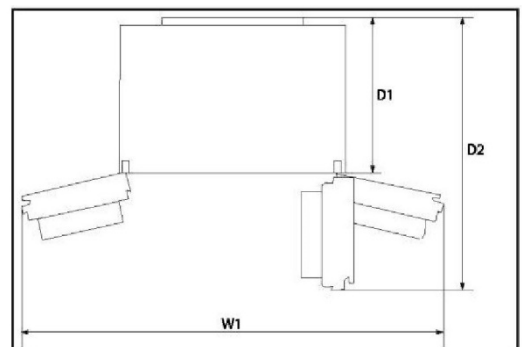
## Ruuminõuded

Ukse avamiseks vajalik ruum:

L1 = 157,8 cm

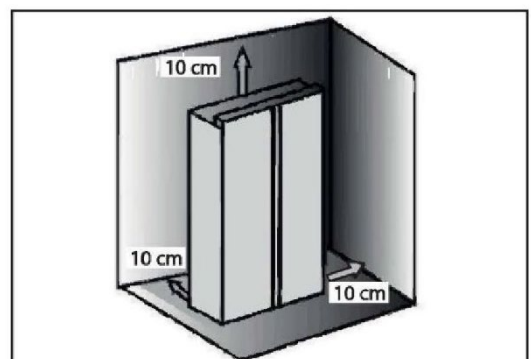
D1 = 62,9 cm

D2 = 117,5 cm



## Ventilatsiooni ristlõige

Ohutuskaalutlustel seadme küllaldase ventilatsiooni tagamiseks tuleb järgida välja toodud ventilatsiooni ristlõikega seonduvaid nõudeid.

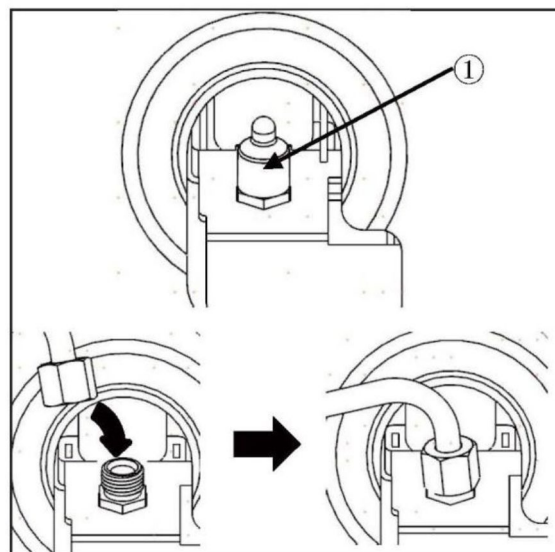


### MÄRKUS

Autonoomne külmutusseade ei ole mõeldud kasutamiseks integreeritud seadmena.

## Vee ühendamine seadmega

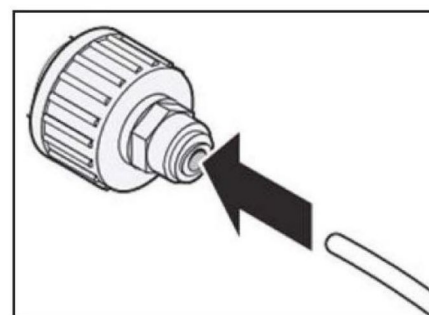
1. Eemaldage vee sisselaskeklapi kummikork (1).
2. Lükake veetoru kindlalt vee sisselaskeklapile ja pingutage kaelamutrit. Veetoru tuleb keskelt pooleks lõigata ning üht poolt kasutada ja teine varuosaks jätta.



## Ühendamine veekraaniga

See funktsioon on saadaval ainult mõnel mudelil.

1. Lükake veetoru tarvikutega kaasasoleva kraaniliitmiku avasse. Toru tuleb kindlalt kinni hoida, kui liitmik torule surutakse.
  2. Veenduge, et kummiseib on kinnitatud kraaniliitmiku siseküljele, enne kui selle kraani külge kruvite.
- ▶ Vajalikuks võib osutada eraldi liitmiku või adapteri ostmine, kui teie kraaniliitmik ei vasta kaasasoleva liitmiku keermesuurusele.



## Veeühenduse kontrollimine

See funktsioon on saadaval ainult mõnel mudelil.

- ▶ Lülitage veevarustus ja seade sisse. Kontrollige hoolikalt kõiki liitmikke, et need ei lekiks halvasti paigaldatud voolikute tõttu.
- ▶ Vajutage 3Sec. Filter Reset nupp kolmeks sekundiks. Uus veefilter on aktiveeritud.
- ▶ Asetage tops veemahuti alla veendumaks, et vesi voolab läbi seadme.
- ▶ Kontrollige veel kord ühendustoru ja ühendusi, et neis ei oleks lekkeid.



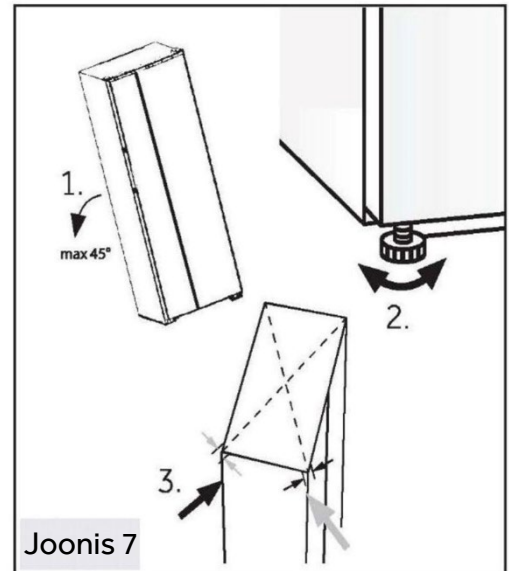
## HOIATUS!

- ▶ Veenduge alati, et ühendused oleksid kindlad, kuivad ja lekkevabad.
- ▶ Jälgige, et voolik ei oleks surve all, vändunud ega paindunud.

### Seadme tsentreerimine ja nivelleerimine

Seade tuleb paigutada ühetasasele ja stabiilsele pinnale.

1. Kallutage seadet veidi tahapoole (joonis 7).
2. Reguleerige jalad soovitud kõrgusele. Veenduge, et vahekaugus hingepoolt seinast on vähemalt 10 mm.
3. Kontrollige seadme stabiilsuse hindamiseks selle diagonaaltelgi. Mõningane kalle kummaski suunas peaks olema ühesugune. Muidu võib karkass deformeeruda, mis võib põhjustada uksetihendite lekke. Kerge kaldenurk tagakülje suunas hõlbustab ukse sulgemist.

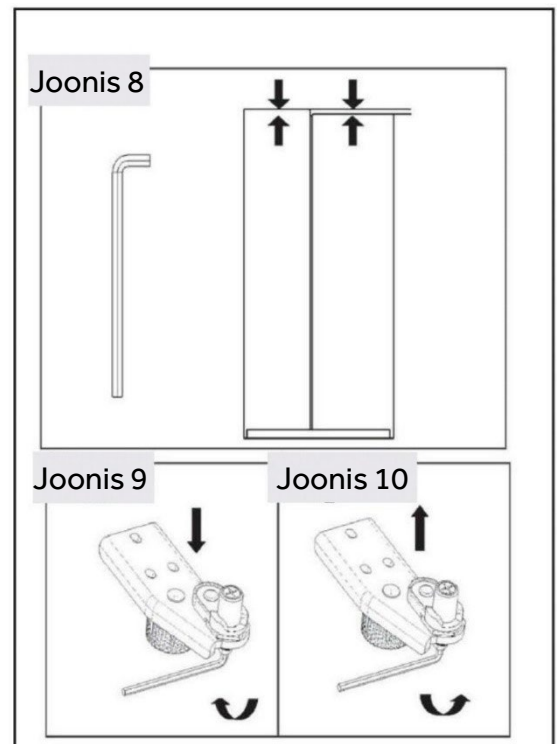


### Uste täppisreguleerimine

Kui ukсед ei ole pärast uste jalgade abil loodimist ikka veel ühel tasandil, saab selle ebakõla kõrvaldada, keerates mutrivõtmega külmutusukse paremas alumises nurgas olevat hinge tõstevõlli (joonis 8)

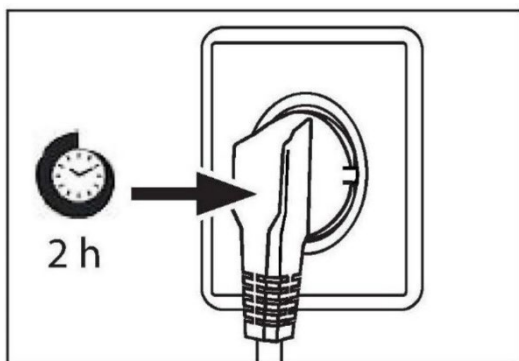
Keerake mutrivõtmega tõstevõlli päripäeva madalama ukse kõrgusele (joonis 9).

Keerake mutrivõtmega tõstevõlli vastupäeva, et ust tõsta (joonis 10).



**HOIATUS!**

Ärge reguleerige hinge tõstevõlli liigselt, kuna see võib põhjustada võlli algsest lukustatud asendist vallandumise. (Reguleeritav kõrgusvahemik: 3 mm)

**Ooteaeg**

Kasutajapoolset sekkumist mittevajav määrideõli asub kompressoris olevas kapslis. Õli võib transportimisega kaasneva seadme kaldumise tõttu suletud torustikku voolata. Oodake enne seadme vooluvõrku ühendamist vähemalt kaks tundi, et õli saaks tagasi kapslisse valguda.

**Seadme vooluvõrku ühendamine****Enne seadme vooluvõrku ühendamist kontrollige, kas:**

- ▶ toiteallikas, pistikupesa ja kaitsmed vastavad andmesildil välja toodud parameetritele;
- ▶ pistikupesa on maandatud ning kasutusel pole mitme pistikuga adaptereid ega pikendusjuhtmeid;
- ▶ toitepistik ja pistikupesa vastavad nõuetele.

Ühendage pistik nõuetekohaselt paigaldatud pistikupesaga.

**HOIATUS!**

Ohtude minimeerimiseks võib kahjustunud toitekaabli asendada vaid klienditeenindus (vaadake garantiikaarti).

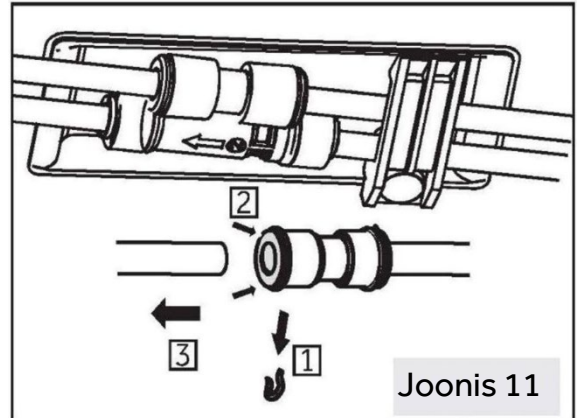
**Uste eemaldamine ja paigaldamine**

Kui teil on vaja seadme ukseid eemaldada, järgige allolevaid ukse eemaldamise ja paigaldamise juhiseid.

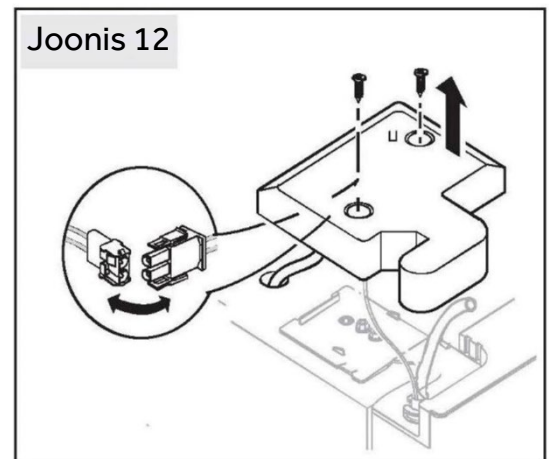
**HOIATUS!**

- ▶ Enne toiminguid lahutage seadme väljalülitamiseks toitepistik pistikupesast.
- ▶ Blokeerige veevarustus.
- ▶ Seade on raske. Seda peab teisaldama vähemalt kaks inimest.
- ▶ Ärge kallutage seadet üle 45 kraadi ega pange seda horisontaalsesse asendisse.
- ▶ Uks võib kukkuda ja inimesi vigastada või selle käigus kahjustada saada. Ukse eemaldamisel ja paigaldamisel olge tähelepanelik.

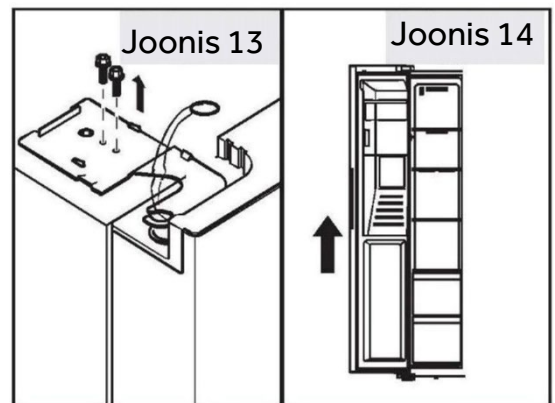
1. Vabastage seadme põhjas vasakul eesnurgas kahe veeliitmiku vasakpoolne külg: pressige ja hoidke äärikut näidatud viisil ja eemaldage veetoru. (Joonis 11).



2. Keerake lahti hingekatte kruvi ja eemaldage kate (joonis 12). Sügavkülmiku ukse eemaldamisel lahutage kõik juhtmed, välja arvatud maandusjuhe.



3. Keerake lahti ülemist hinge paigal hoidvad kruvid ja eemaldage seejärel hing (joonis 13).
4. Tõstke ust selle eemaldamiseks (joonis 14). Sügavkülmiku ukse eemaldamisel tõstke seda piisavalt kõrgele, et tõmmata välja seadme põhjas olev veeühendus.
5. Paigaldage uks, tehes eemaldamistoimingud vastupidises järjekorras. Veenduge, et maanduskaabel oleks kruviga kinnitatud.
6. Paigaldage veeühendus.




## MÄRKUS: külmiku uks

Pildid näitavad sügavkülmiku ukse eemaldamist. Külmiku ukse korral kasutage vastavaid osi teisel pool.



Määrusele (EL) nr 2019/2016 vastavad toote spetsifikatsioonid

Tootemark	Haier
Mudeli nimi / identifikaator	HSW59F18DIMM HSW79F18DIPT
Mudeli kategooria	Külmik-sügavkülmik
Energiatõhususe klass	D
Aastane energiatarbimine (kWh aasta kohta) <sup>(1)</sup>	267
Kogumaht (l)	601
Külmiku maht (L)	391
Sügavkülmiku maht (L)	206
Jäämahuti maht (2 täрни) (L)	4
Tärnides väljendatud hinnang	
Töötemperatuuriga > 14 °C muud seksioonid	Ei kohaldu
Külmavaba süsteem	Jah
Külmutusvõimsus (kg 24 tunni kohta)	10
Kliimaklass <sup>(2)</sup>	SN-N-ST
Müraklass ja õhus leviva müra tase (db(A) re 1pW)	C(36)
Temperatuuri tõusu aeg (h)	5
Jäätegemisvõimekus	0,8 kg/24h
Seadme tüüp	Autonoomne



Selgitused:

- Jah, esiletõstetud
- (1) Põhineb standarditele vastavuse 24-tunnise testi tulemustel. Tegelik tarbimine sõltub seadme kasutusala ja asukohast.
- (2) Kliimaklass SN: Seade on ette nähtud kasutamiseks kohas, kus ümbritseva õhu temperatuur on vahemikus 10 °C ja 32 °C  
 Kliimaklass N: seade on ette nähtud kasutamiseks ümbritseva õhu temperatuuril 16 °C kuni 32 °C  
 Kliimaklass ST: seade on ette nähtud kasutamiseks ümbritseva õhu temperatuuril 16 °C kuni 38 °C

## Täiendavad tehnilised andmed

Pinge/sagedus	220–240 V / 50 Hz
Sisendvool (A)	1.8
Sulatuse sisendvõimsus (W)	220
Peakaitse (A)	15
Jahutusvedelik	R600a
Mõõtmed (K/L/S millimeetrites)	1775/905/726



Küsimuste korral pöörduge ettevõtte Haier klienditeeninduse poole. Tungivalt soovitatakse kasutada originaalvaruosi.

Seadmega seotud probleemide puhul vaadake esmalt osa „Veaotsing“.

Kui seal täpsustatud meetmed ei kõrvalda probleemi:

- ▶ võtke ühendust kohaliku edasimüüjaga või
- ▶ helistage ettevõtte Euroopa kõnekeskusesse (telefoninumbrid on välja toodud allpool) või
- ▶ teeninduse ja toe ala aadressil [www.haier.com](http://www.haier.com), kus saate teenuse aktiveerida
- ▶ nõuda ja leida ka KKK-sid.

Teenindusega ühendust võttes peavad teil käepärast olema alljärgnevad andmed. Vastav teave on välja toodud andmesildil.

Mudel \_\_\_\_\_

Seerianumber \_\_\_\_\_

Garantiinõuete korral kontrollige ka tootega kaasasolevat garantiikaarti.

Ettevõtte kõnekeskused Euroopas		
Riik*	Telefoninumber	Tariif
Haier Italy (IT)	19 910 0912	
Haier Spain (ES)	902 509 123	
Haier Germany (DE)	018 0539 3999	<ul style="list-style-type: none"><li>• Kõneminut 14 senti (lauatelefon)</li><li>• Kõneminut maksimaalselt 42 senti (mobiiltelefon)</li></ul>
Haier Austria (AT)	0820 001 205	<ul style="list-style-type: none"><li>• Kõneminut 14,53 senti (lauatelefon)</li><li>• Kõneminut maksimaalselt 20 senti (muud liinid)</li></ul>
Haier United Kingdom (UK)	0333 003 8122	
Haier France (FR)	0980 406 409	





\* Teisi riike vaadake aadressilt [www.haier.com](http://www.haier.com)

Haier Europe Trading S.r.l

Ühendkuningriigi filiaal

Westgate House, Westgate, Ealing

London, W5 1YY

\* Külmutusseadme garantii kestus:

Minimaalne garantii on: 2 aastat ELi riikides, 3 aastat Türgis, 1 aasta Ühendkuningriigis, 1 aasta Venemaal, 3 aastat Rootsis, 2 aastat Serbias, 5 aastat Norras, 1 aasta Marokos, 6 kuud Alžeerias, Tuneesias seaduslikku garantiid ei nõuta.

\*Seadme remondiks vajalike varuosade periood:

Termostaadid, temperatuuriandurid, trükkplaadid ja valgusallikad on saadaval vähemalt seitse aastat pärast mudeli viimase seadme turustamist.

Ukse käepidemed, uksehinged, alused ja sahtlid on saadaval vähemalt seitse aastat ning uksetihendid vähemalt kümme aastat pärast mudeli viimase seadme turustamist.

\*Lisateavet toote kohta leiate aadressilt <https://eprel.ec.europa.eu/> või skannides seadmega kaasasoleval energiamärgisel olevat QR-koodi.



Turvallisuusohjeet .....	446
Käyttötarkoitus .....	451
Tuotteen kuvaus.....	452
Ohjauspaneeli.....	453
Käyttö .....	454
Varusteet.....	467
Hoito ja puhdistus.....	469
Vianetsintä .....	474
Asennus .....	478
Tekniset tiedot.....	483
Asiakaspalvelu .....	485



## Kiitos, että ostit Haier-tuotteen.

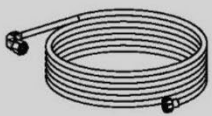
Lue nämä ohjeet huolellisesti ennen laitteen käyttöä. Ohjeet sisältävät tärkeitä tietoja, jotka auttavat sinua saamaan parhaan hyödyn laitteesta ja varmistamaan turvallisen ja asianmukaisen asennuksen, käytön ja huollon.

Säilytä tätä ohjekirjaa kätevässä paikassa, jotta voit aina tutustua siihen laitteen turvallisen ja asianmukaisen käytön varmistamiseksi.

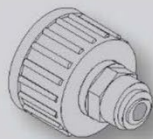
Jos myyt laitteen, annat sen pois tai et ota sitä mukaan, kun muutat, varmista, että tämä käyttöopas pysyy aina laitteen mukana, jotta uusi omistaja voi tutustua laitteeseen ja turvallisuusvaroituksiin.

## Lisävarusteet

Tarkista lisävarusteet ja kirjallisuus tämän luettelon mukaisesti:



\*Vesiputki



\* Vesiliitin



Energiamerkintä



Takuukortti



Pikaopas



## VAROITUS – Tärkeää turvallisuustietoa



## HUOMAUTUS – Yleistä tietoa ja vinkkejä



## Ympäristötiedot



### Hävittäminen

Auta suojelemaan ympäristöä ja ihmisten terveyttä. Laita pakkausmateriaalit asianmukaisesti astioihin niiden kierrättämiseksi. Auta kierrättämään sähkö- ja elektroniikkalaiteromua. Älä hävitä tällä symbolilla merkittyjä laitteita talousjätteen mukana. Palauta tuote paikalliseen kierrätyslaitokseen tai ota yhteyttä paikalliseen viranomaiseen.



## VAROITUS!

Loukkaantumis- tai tukehtumisvaara!

Kylmäaineet ja kaasut on hävitettävä ammattimaisesti. Varmista ennen oikeanlaista hävittämistä, että kylmäainepiirin letku ei ole vaurioitunut. Irrota laite verkkovirrasta. Katkaise verkkokaapeli ja hävitä se. Irrota telineet ja laatikot sekä oven salpa ja tiivisteet, jotta lapset ja lemmikit eivät voi jäädä loukkuun laitteen sisään.

## Lue seuraavat turvallisuusohjeet, ennen kuin kytket laitteen päälle ensimmäistä kertaa:



### VAROITUS!

#### Ennen ensimmäistä käyttöä

- ▶ Varmista, ettei kuljetusvaurioita ole.
- ▶ Poista kaikki pakkaukset ja pidä ne poissa lasten ulottuvilta.
- ▶ Odota vähintään kaksi tuntia ennen laitteen asentamista varmistaaksesi, että kylmäainepiiri on täysin toimintavalmis.
- ▶ Laite on painava ja sen vuoksi sen käsittelemiseen tarvitaan aina vähintään kaksi henkilöä.

#### Asennus

- ▶ Laite on sijoitettava hyvin ilmastoituun paikkaan. Varmista, että laitteen yläpuolella ja ympärillä on tilaa vähintään 10 cm.
- ▶ Älä koskaan aseta laitetta kosteaan paikkaan tai paikkaan, jossa sen päälle voi roiskua vettä. Puhdista ja kuivaa vesiroiskeet ja tahrat pehmeällä puhtaalla liinalla.
- ▶ Älä asenna laitetta suoraan auringonvaloon tai lämmönlähteiden läheisyyteen (esim. uunit, lämmittimet).
- ▶ Asenna laitteen jalat ja säädä niitä tarpeen mukaan niin, että laite on tasapainossa ja tasaisesti. Asennuspaikan on oltava sopivan kokoinen ja sovelluttava laitteen käyttötarkoitukseen.
- ▶ Pidä laitteen koteloinnin tai rakenteelliset tuuletusaukot vapaina esteistä.
- ▶ Varmista, että laitteen arvokilvessä ilmoitetut sähkötiedot vastaavat käytettävissä olevaa virransyöttöä. Jos näin ei ole, ota yhteyttä sähköasentajaan.
- ▶ Verkkoliitäntä: 220–240 V, 50 Hz. Epänormaali jännitevaihtelu voi estää laitteen käynnistymisen tai vaurioittaa lämpötilan säätöä tai kompressoria tai aiheuttaa epänormaalia käyntiääntä. Tässä tapauksessa laitteeseen on asennettava automaattinen jännitteensäädin.
- ▶ Älä käytä monipistokesovittimia ja jatkokaapeleita.
- ▶ Älä jätä monipistokkeisia jatkojohtoja äläkä siirrettäviä virtalähteitä laitteen taakse.
- ▶ Varmista, että virtajohto ei jää jääkaapin alle. Älä astu virtajohtojen päälle.



## VAROITUS!

- ▶ Käytä erillistä maadoitettua pistorasiaa, joka on helposti saatavilla. Laite on maadoitettava.

Vain Iso-Britannia: Laitteen virtajohtoon on liitetty 3-haarainen (maadoitettu) pistoke, joka sopii 3-haaraiseen (maadoitettuun) pistorasiaan. Kolmatta tappia (maadoitus) ei koskaan saa leikata pois tai poistaa jollakin muulla tavalla. Pistoke tulisi olla käytettävissä laitteen asennuksen jälkeen.

- ▶ Älä vaurioita kylmäainepiiriä.

### Päivittäinen käyttö

- ▶ Vähintään 8-vuotiaat lapset ja henkilöt, joiden fyysiset, aisteihin liittyvät tai henkiset kyvyt ovat alentuneet tai joilla ei ole aiheeseen liittyvää kokemusta ja tietoa, voivat käyttää laitetta edellyttäen, että heitä valvotaan tai heille annetaan ohjeet laitteen käyttöön turvallisella tavalla ja he ymmärtävät vaaratekijät.
- ▶ 3–8-vuotiaat lapset saavat täyttää ja tyhjentää laitteita, mutta he eivät saa puhdistaa tai asentaa niitä.
- ▶ Pidä alle 3-vuotiaat lapset poissa laitteen lähetyviltä, ellei heitä valvota jatkuvasti.
- ▶ Lapset eivät saa leikkiä laitteella.
- ▶ Jos jäähdytettyä kaasua tai jotakin muuta syttyvää kaasua vuotaa laitteen läheisyydessä, sammuta vuotavan kaasun venttiili, avaa ovet ja ikkunat äläkä irrota jääkaapin tai minkään muun laitteen virtajohtoa.
- ▶ Huomaa, että laite on asetettu toimimaan tietyllä ympäristön lämpötila-alueella (10–38 °C). Laite ei välttämättä toimi oikein, jos se on pidemmän aikaa lämpötilassa, joka ylittää tai alittaa ilmoitetun vaihteluvälin.
- ▶ Älä laita kylmälaitteen päälle epävakaita esineitä (esimerkiksi raskaita esineitä tai vedellä täytettyjä astioita). Näin voit välttää onnettomuudet, jotka voisivat aiheutua esineiden tippumisesta käyttäjän päälle, tai sähköiskusta kosketuksesta veteen.
- ▶ Älä vedä ovihyllyistä. Ovi voi mennä vinoon, pulloteline voi irrota tai kylmälaite voi kaatua.
- ▶ Avaa ja sulje ovet vain käyttämällä kahvoja. Väli ovien välillä sekä ovien ja kaapin välillä on hyvin kapea. Älä laita käsiäsi tällaisiin paikkoihin, jotta sormesi eivät joudu puristuksiin. Avaa tai sulje jääkaapin ovet vain silloin, kun oven liikkumisalueella ei ole lapsia.



### VAROITUS!

- ▶ Älä säilytä tai käytä syttyviä, räjähtäviä tai syövyttäviä aineita laitteessa tai sen läheisyydessä.
- ▶ Älä säilytä laitteessa lääkkeitä, bakteereita tai kemiallisia aineita. Tämä laite on kodinkone. Laitteessa ei ole suositeltavaa säilyttää materiaaleja, jotka vaativat tarkkoja lämpötiloja.
- ▶ Älä koskaan säilytä nesteitä pulloissa tai tölkeissä (lukuun ottamatta väkeviä alkoholijuomia) ja erityisesti hiilihapotettuja juomia, koska ne rikkoutuvat pakastuksen aikana.
- ▶ Tarkista ruoan kunto, jos pakastimessa on tapahtunut lämpenemistä.
- ▶ Älä aseta jääkaapin lämpötilaa tarpeettoman alhaiseksi. Miinuslämpötiloja voi esiintyä erittäin kylmillä asetuksilla. Huomio: Pullot voivat rikkoutua
- ▶ Älä koske jäätyneisiin tuotteisiin märin käsin (käytä käsineitä). Erityisesti mehujäätä ei tulisi syödä heti sen jälkeen, kun se on otettu ulos pakastinosastosta. On olemassa paleltumisen tai rakkuloiden muodostumisen riski. ENSIAPU: Huuhtele kohtaa välittömästi juoksevilla kylmällä vedellä. Älä keskeytä huuhtelua!
- ▶ Älä koske pakastimen säilytyslokeron sisäpintaa, kun pakastin on käynnissä. Tätä ei tulisi tehdä etenäkään märin käsin, koska kädet saattavat jäätyä pintaan kiinni.
- ▶ Irrota laite pistorasiasta sähkökatkoksen sattuessa tai ennen puhdistusta. Odota vähintään 7 minuuttia ennen kuin käynnistät laitteen uudelleen, sillä usein tapahtuvat uudelleenkäynnistykset voivat vahingoittaa kompressoria.
- ▶ Älä käytä sähkölaitteita laitteen ruoansäilytystiloissa mikäli ne eivät ole valmistajan suosittelemia. Huolto / puhdistus
- ▶ Varmista, että lapsia valvotaan, jos he suorittavat puhdistuksen ja huollon.
- ▶ Irrota laite virtalähteestä ennen rutiinihuoltoa. Odota vähintään 5 minuuttia ennen kuin käynnistät laitteen uudelleen, sillä usein tapahtuvat uudelleenkäynnistykset voivat vahingoittaa kompressoria.





## VAROITUS!

- ▶ Pidä kiinni pistokkeesta, ei kaapelista, kun irrotat laitteen pistorasiasta.
- ▶ Älä puhdista laitetta käyttämällä kovia harjoja, teräsharjoja, pesuainejauhetta, bensiiniä, amyyliasettaattia, asetonia ja vastaavia orgaanisia liuoksia tai happamia tai emäksisiä liuoksia. Vältä vauriot puhdistamalla erityisellä jääkaapin pesuaineella.
- ▶ Älä raaputa huurretta ja jäätä pois terävillä esineillä. Älä käytä suihkeita, sähkölämmittimiä, kuten lämmitintä, hiustenkuivaajaa tai höyrypuhdistimia, tai muita lämmönlähteitä muovisten osien vaurioitumisen välttämiseksi.
- ▶ Älä yritä nopeuttaa sulatusta käyttämällä mekaanisia laitteita tai muita keinoja, lukuun ottamatta laitteen valmistajan suosittelemia menetelmiä.
- ▶ Jos virtajohto on vaurioitunut, sen saa vaaran välttämiseksi vaihtaa valmistaja, valmistajan huoltoedustaja tai vastaava ammattitaitoinen.
- ▶ Älä yritä korjata, purkaa tai muuttaa laitetta itse. Jos laite on korjattava, ota yhteyttä asiakaspalveluumme.
- ▶ Poista laitteen takana oleva pöly vähintään kerran vuodessa välttääksesi palovaaran ja lisääntyneen energiankulutuksen.
- ▶ Älä suihkuta tai huuhtele laitetta puhdistuksen aikana.
- ▶ Älä käytä vesisuihkua tai höyryä laitteen puhdistamiseen.
- ▶ Älä puhdista kylmiä lasihyllyjä kuumalla vedellä. Nopeat lämpötilanmuutokset voivat aiheuttaa lasin rikkoutumisen.

## Tietoa kylmäaineesta



## VAROITUS!

Laite sisältää syttyvää kylmäainetta, jonka nimi on isobutaani (R600a). Varmista, että kylmäainepiiri ei ole vaurioitunut kuljetuksen tai asennuksen aikana. Vuotava kylmäaine voi aiheuttaa silmävammoja tai syttyä. Jos vaurioita on tapahtunut, pidä poissa avoimet palonlähteet, tuuleta huone huolellisesti, älä kytke tai irrota laitteen tai minkään muun laitteen virtajohtoja. Ilmoita asiasta asiakaspalveluun.

Jos silmät joutuvat kosketuksiin kylmäaineen kanssa, huuhtele ne välittömästi juoksevan veden alla ja ota välittömästi yhteyttä silmälääkäriin.



## Käyttötarkoitus

Tämä laite on tarkoitettu ruoan jäähdyttämiseen ja pakastamiseen. Se on tarkoitettu käytettäväksi yksinomaan kotitalouksissa ja vastaavissa olosuhteissa, kuten henkilökunnan keittiötiloissa myymälöissä, toimistoissa ja muissa vastaavissa, maataloissa sekä hotellien, motellien ja muiden vastaavien asuinympäristöjen asiakkaiden käytössä ja aamiaismajoituksissa (Bed&Breakfast) sekä catering-liiketoiminnassa. Sitä ei ole tarkoitettu kaupalliseen tai teolliseen käyttöön.

Laitteen muuttaminen tai muokkaaminen ei ole sallittua. Käyttö ohjeiden vastaisella tavalla voi aiheuttaa vaaroja. Voit myös menettää oikeuden takuuseen perustuvien korvausvaatimusten tekemiseen.

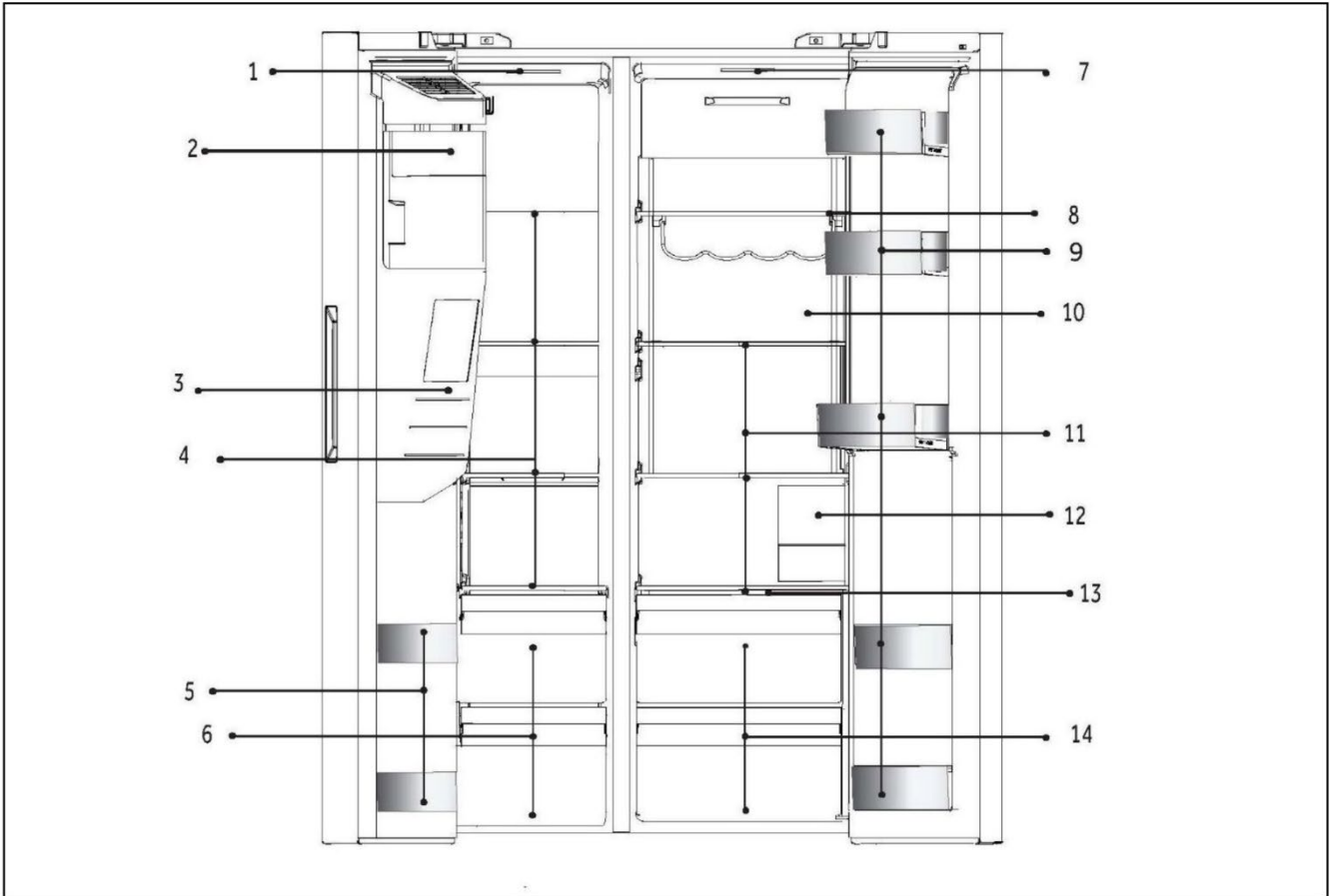
## Standardit ja direktiivit sekä

Tämä tuote täyttää kaikkien sovellettavien EY-direktiivien vaatimukset vastaavilla yhdenmukaistetuilla standardeilla ja Yhdistyneen kuningaskunnan standardeilla, joissa säädetään CE- ja UKCA-merkinnästä.



## Huomautus

Teknisten muutosten ja erilaisten mallien vuoksi jotkin tämän käyttöohjeen kuvista saattavat poiketa mallistasi.



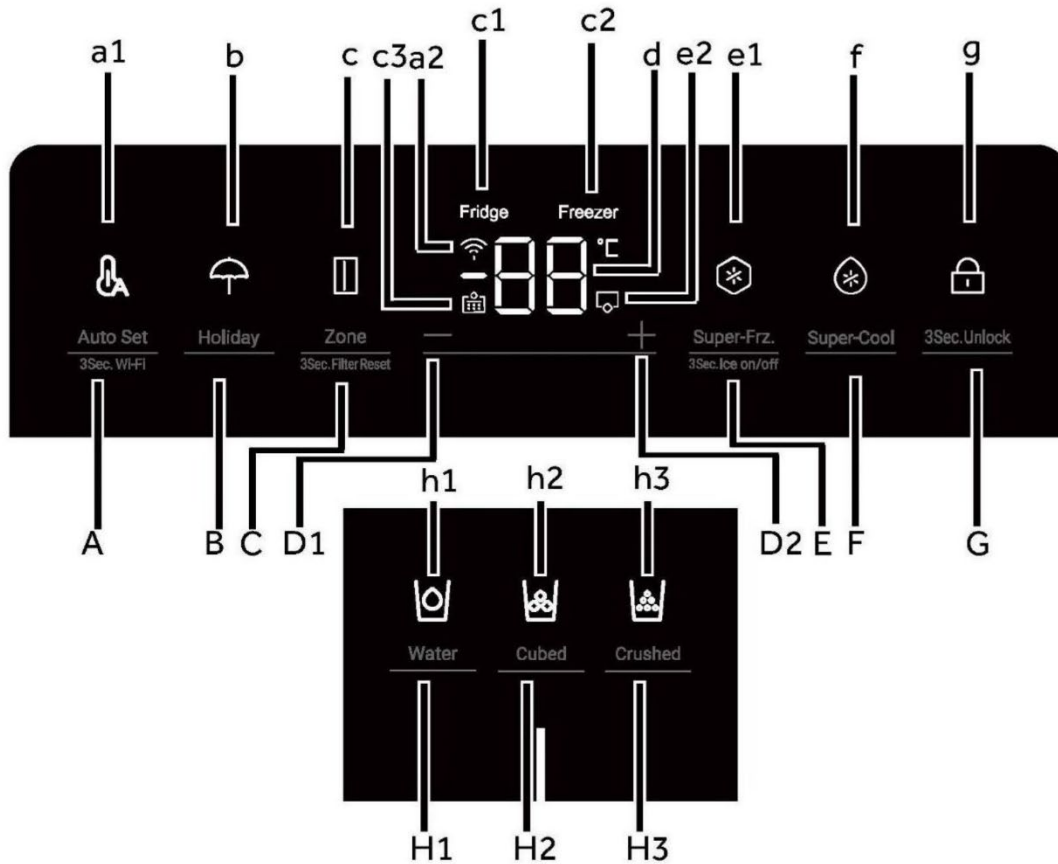
### A: Pakastinosasto

- 1 Kattovalo
- 2 Jääkone jääastialla
- 3 Vesi- ja jääannostelija
- 4 Lasihyllyt
- 5 Pulloteline
- 6 Laatikot

### B: Jääkaappiosasto

- 7 Kattovalo
- 8 Viiniteline
- 9 Pulloteline
- 10 Takalamppu (HSW79F18DIPT)
- 11 Lasihyllyt
- 12 Vedensuodatin
- 13 Märkäalueen peitelevy
- 14 Laatikot

## Ohjauspaneeli



Painikkeet:

- A Auto Set -toiminto /3Sec.Wi-Fi
- B Holiday-toiminto
- C Vyöhykkeen valinta//3Sec.Filter Reset
- D1 Lämpötilan säätöpainike "-"
- D2 Lämpötilan säätöpainike "+"
- E Super-Freeze-toiminto/3Sec.Ice on/ off
- F Super-Cool-toiminto
- G Ohjauspaneelin lukituksen valitsin
- H1 Vedenottotoiminnon valitsin
- H2 Jääkuutiotoiminnon valitsin
- H3 Jäämurskatoiminnon valitsin

Merkkivalot:

- a1 Auto Set -tila
- a2 Wi-Fi-toiminto
- b Holiday-lomatila
- c Vyöhykkeen merkkivalo
- c1 Jääkaapin merkkivalo
- c2 Pakastimen merkkivalo
- c3 Suodattimen nollaustoiminto
- d Lämpötilänäyttö
- e1 Super-Freeze-tila
- e2 Jäänvalmistustila
- f Super-Cool-tila
- g Paneelin lukitus
- h1 Vedenottotoiminto
- h2 Jääkuutiotoiminto
- h3 Jäämurskatoiminto

## Ennen ensimmäistä käyttöä

- ▶ Poista kaikki pakkausmateriaalit, pidä ne poissa lasten ulottuvilta ja hävitä ne ympäristöystävällisesti.
- ▶ Puhdista laitteen sisä- ja ulkopuoli vedellä ja miedolla pesuaineella ennen sen täyttämistä ruualla.
- ▶ Kun laite on vaakasuorassa ja puhdistettu, odota vähintään 2–5 tuntia ennen kuin kytket sen virtalähteeseen. Katso kohta ASENNUK.
- ▶ Esijäähdytä lokerot käyttämällä kylmiä asetuksia, ennen kuin täytät ne ruoalla. Power-Freeze auttaa jäähdyttämään lokerot nopeasti.
- ▶ Jääkaapin ja pakastimen lämpötilaksi asetetaan automaattisesti 5 °C (jääkaappi) ja -18 °C (pakastin). Nämä ovat suositeltuja asetuksia. Voit halutessasi muuttaa näitä lämpötiloja manuaalisesti. Lisätietoja on kohdassa LÄMPÖTILAN SÄÄTÄMINEN.

## Anturipainikkeet

Ohjauspaneelin painikkeet ovat anturinäppäimiä, jotka reagoivat jo kevyesti sormella kosketettaessa.

## Laitteen kytkeminen päälle / pois päältä

Laite on toiminnassa heti, kun se on kytketty virtalähteeseen.

Näytetyt lämpötilat näyttävät osaston asetetut lämpötilat.

Paneelin lukitus on ehkä aktiivinen.



## Huomautus

Kun laite kytketään päälle sen jälkeen, kun se on ollut irrotettuna virtalähteestä, oikean lämpötilan saavuttaminen voi kestää jopa 12 tuntia.

Tyhjennä laite ennen sammuttamista. Sammuta laite vetämällä virtajohto irti pistorasiasta.

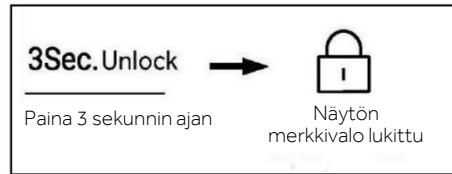


## HUOMAUTUS

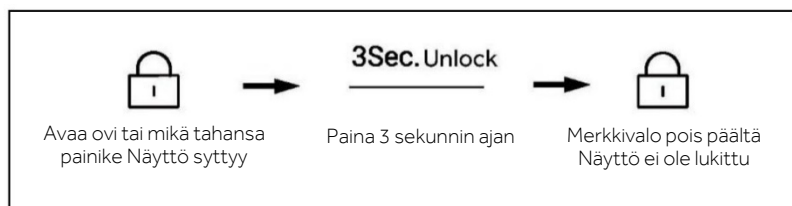
Kun jääkaappi käynnistetään ensimmäisen kerran, merkkivalo syttyy. Jääkaapin ja pakastimen lämpötilaksi asetetaan automaattisesti 5 °C (jääkaappi) ja -18 °C (pakastin).

## Paneelin lukituksen avaaminen/lukitseminen

1. Automaattinen lukitus: Kun jääkaapin ovi ja pakastimen ovi ovat kiinni eikä mitään näppäintä paineta 30 sekunnin kuluessa, näyttöruutu sammuu automaattisesti ja lukittuu.



2. Manuaalinen lukitus: Paina G-painiketta (Paneelin lukituksen valitsin), kun näyttöruutu ei ole lukittu, ja pidä sitä painettuna 3 sekunnin ajan. Sumneri soi kerran, merkkivalo g (Paneelin lukitus) syttyy ja näyttö lukittuu.



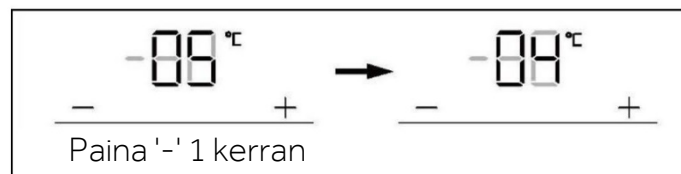
## Lämpötilan säätäminen

Sisätilan lämpötilaan vaikuttavat seuraavat tekijät:

- ▶ Ympäristön lämpötila
- ▶ Oven avaustiheys
- ▶ Varastoitujen elintarvikkeiden määrä
- ▶ Laitteen asennus

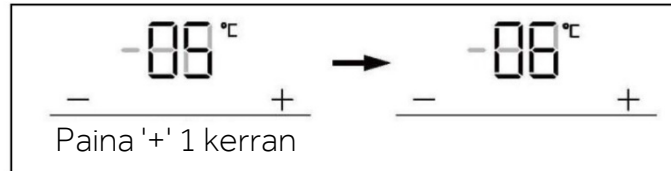
## Jääkaapin lämpötilan säätäminen

1. Paina C-painiketta (Vyöhykkeen valitsin), kun näyttöruutu ei ole lukittu. Sumneri soi kerran, merkkivalo c1 (Jääkaapin merkkivalo) vilkkuu, ja sitten esiin tulee jääkaapin lämpötila-asetus.
2. Paina D1-painiketta (Lämpötilan säätöpainike "-") joka kerta, sumneri soi kerran ja jääkaapin lämpötila-asetus laskee jokaisella painalluksella 1 asteella. Jääkaapin lämpötila näkyy tässä järjestyksessä: 9 °C > 8 °C > 7 °C > 6 °C > 5 °C > 4 °C > 3 °C > 2 °C > 1 °C.



### Jääkaapin lämpötilan säätäminen

- Paina painiketta D2 (Lämpötilan säätöpainike "+") joka kerta, sumneri soi kerran, jääkaapin lämpötila-asetus nousee 1 asteella. Jääkaapin lämpötila näkyy tässä järjestyksessä: 1 °C > 2 °C > 3 °C > 4 °C > 5 °C > 6 °C > 7 °C > 8 °C > 9 °C.

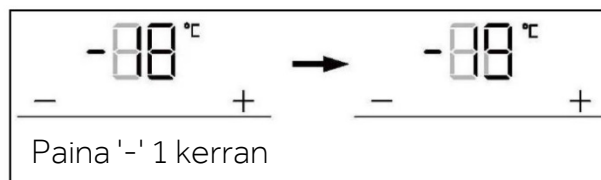


### Huomautus

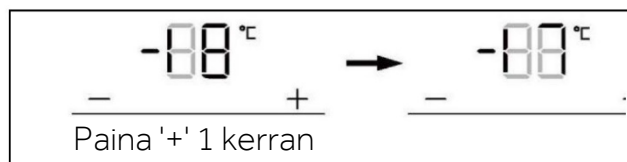
Jos lämpötilan asetuksen jälkeen ei tehdä mitään toimintoa 5 sekunnin kuluessa, järjestelmä tallentaa asetetun lämpötilan automaattisesti.

### Pakastimen lämpötilan säätäminen

- Paina C-painiketta (Vyöhykkeen valitsin), kun näyttöruutu ei ole lukittu. Sumneri soi kerran, merkkivalo c2 (Pakastimen merkkivalo) vilkkuu ja voit säätää pakastimen lämpötilaa.
- Paina D1-painiketta (Lämpötilan säätöpainike "-") joka kerta, sumneri soi kerran ja pakastimen lämpötila-asetus laskee jokaisella painalluksella 1 asteella. Pakastimen lämpötila näkyy tässä järjestyksessä: -14 °C > -15 °C > -16 °C > -17 °C > -18 °C > -19 °C > -20 °C > -21 °C > -22 °C > -23 °C > -24 °C.



- Paina painiketta D2 (Lämpötilan säätöpainike "+") joka kerta, sumneri soi kerran, pakastimen lämpötila-asetus nousee 1 asteella. Pakastimen lämpötila näkyy tässä järjestyksessä: -24 °C > -23 °C > -22 °C > -21 °C > -20 °C > -19 °C > -18 °C > -17 °C > -16 °C > -15 °C > -14 °C.

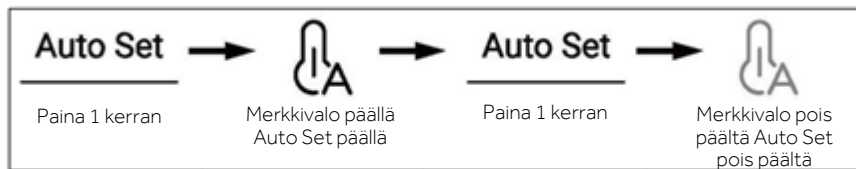


### Huomautus

Jos lämpötilan asetuksen jälkeen ei tehdä mitään toimintoa 5 sekunnin kuluessa, järjestelmä tallentaa asetetun lämpötilan automaattisesti.

## Auto Set -tila

1. Paina A-painiketta (Auto Set -tilan valitsin), kun näyttö ei ole lukittu. Summeri soi kerran, merkkivalo a1 (Auto Set -tila) syttyy ja Auto Set -toiminto kytkeytyy päälle.
2. Kun merkkivalo a1 (Auto Set -tila) palaa, paina painiketta A (Auto Set -tilan valitsin). Summeri soi kerran, merkkivalo a1 (Auto Set -tila) sammuu ja Auto Set -toiminto kytkeytyy pois päältä.



## Huomautus

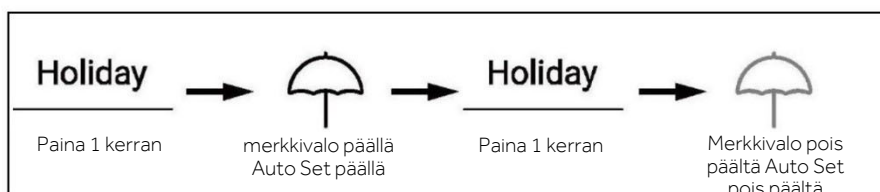
Jääkaapin tai pakastimen lämpötilaa ei voi säätää Auto Set -tilassa. Jos painat joko D1-painiketta (Lämpötilan säätöpainike "-") tai D2-painiketta (Lämpötilan säätöpainike "+") jääkaapin tai pakastimen lämpötilan säätämiseksi, merkkivalo a1 (Auto Set -merkkivalo) vilkkuu ja kuuluu merkkiäni sen merkiksi, että tätä toimintoa ei voida suorittaa.

Jos Auto Set -tilassa kytketään päälle Super-Cool-, Super-Freeze- tai Holiday-toiminto, Auto Set -tilan merkkivalo a1 sammuu ja Auto Set -toiminto päättyy automaattisesti.

## Holiday-tila

Holiday-tila on suunniteltu käytettäväksi silloin, kun jääkaappia ei käytetä pitkään aikaan. Kun Holiday-tila on kytketty päälle, pakastin toimii normaalisti ja jääkaapin lämpötilaksi asetetaan automaattisesti 17 °C. Todellinen lämpötila ei ylitä 17 °C, mikä estää liian korkeiden lämpötilojen aiheuttaman erikoisen hajun ja auttaa samalla vähentämään energiankulutusta.

1. Paina B-painiketta (Holiday-tilan valitsin), kun näyttö ei ole lukittu. Summeri soi kerran, merkkivalo b syttyy (Holiday-tila) ja Holiday-toiminto kytkeytyy päälle.
2. Kun merkkivalo b (Holiday-tila) palaa, paina painiketta B (Holiday-tilan valitsin). Summeri soi kerran, merkkivalo b (Holiday-tila) sammuu ja Holiday-toiminto kytkeytyy pois päältä.





## Huomautus

Holiday-tilassa jääkaapin lämpötilaa ei voi säätää. Jos painat joko D1-painiketta (Lämpötilan säätöpainike "-") tai D2-painiketta (Lämpötilan säätöpainike "+") jääkaapin lämpötilan säätämiseksi, merkkivalo b (Holiday-merkkivalo) vilkkuu ja kuuluu merkkiääni sen merkiksi, että tätä toimintoa ei voida suorittaa.

Ennen kuin käytät Holiday-toimintoa, tyhjennä jääkaappi ruoan pilaantumisen estämiseksi. Kun Holiday-toiminto on kytketty päälle, Auto Set -toimintoa tai Super-Cool-toimintoa ei voi kytkeä päälle samanaikaisesti.

### Super-Cool -toiminto

1. Paina painiketta F (Super-Cool-valitsin), kun näyttö ei ole lukittu. Summeri soi kerran, merkkivalo f (Super-Cool-toiminto) syttyy ja Super-Cool-toiminto kytketty päälle.
2. Kun merkkivalo f (Super-Cool-toiminto) palaa, paina painiketta F (Super-Cool-valitsin), summeri soi kerran, merkkivalo f (Super-Cool-toiminto) sammuu ja Super-Cool-toiminto menee pois päältä.
3. Jääkaappi kytkee Super-Cool-toiminnon automaattisesti pois päältä, kun asetettu ehto saavutetaan. Jos haluat lopettaa toiminnon käytön manuaalisesti, voit kytkeä sen pois päältä painamalla F-painiketta (Super-Cool-valitsin).



## Huomautus

Jääkaapin lämpötilaa ei voi säätää Super-cool-tilassa. Jos painat joko D1-painiketta (Lämpötilan säätöpainike "-") tai D2-painiketta (Lämpötilan säätöpainike "+") jääkaapin lämpötilan säätämiseksi, merkkivalo f (Super-Cool-merkkivalo) vilkkuu ja kuuluu merkkiääni sen merkiksi, että tätä toimintoa ei voida suorittaa.

Super-cool-toiminnon ollessa päällä Auto-set- tai Holiday-toimintoa ei voi eri ohjaustilojen vuoksi kytkeä päälle. Kun valitset yhden toiminnon, joka on ristiriidassa toisen toiminnon kanssa, alkuperäinen toiminto päättyy automaattisesti.

## Super-Freeze-toiminto (Super-Frz)

1. Paina E-painiketta (Super-Frz.-valitsin), kun näyttö ei ole lukittu. Summeri soi kerran, merkkivalo e1 syttyy (Super-Freeze -toiminto) ja Super-Freeze -toiminto kytkeytyy päälle.
2. Kun merkkivalo e1 (Super-Freeze-toiminto) palaa, paina E-painiketta (Super-Frz.-valitsin), summeri soi kerran, merkkivalo e1 (Super-Freeze-toiminto) sammuu ja Super-Freeze-toiminto sammuu.
3. Jääkaappi kytkee Super-Freeze-toiminnon automaattisesti pois päältä, kun asetettu ehto saavutetaan. Jos haluat lopettaa toiminnon käytön manuaalisesti, voit kytkeä sen pois päältä painamalla E-painiketta (Super-Frz.-valitsin).



## Huomautus

Pakastimen lämpötilaa ei voi säätää Super-Freeze-tilassa. Jos painat joko D1-painiketta (Lämpötilan säätöpainike "-") tai D2-painiketta (Lämpötilan säätöpainike "+") pakastimen lämpötilan säätämiseksi, merkkivalo e1 (Super-Frz.-merkkivalo) vilkkuu ja kuuluu merkkiääni sen merkiksi, että tätä toimintoa ei voida suorittaa.

Super-Freeze-toiminnon ollessa päällä Auto-set-toimintoa ei voi eri ohjaustilojen vuoksi kytkeä päälle. Kun valitset yhden toiminnon, joka on ristiriidassa toisen toiminnon kanssa, alkuperäinen toiminto päättyy automaattisesti.

## Suodatintointo

Kun jääkaappi on ollut toiminnassa kuuden kuukauden ajan, muistutusmerkkivalo c3 (Suodattimen nollautustoiminto) syttyy sen merkiksi, että on aika vaihtaa suodatin uuteen. Kun vaihdat suodatinta, pidä painiketta C (Suodattimen nollautustoiminnon valitsin) painettuna 3 sekunnin ajan muistutuksen peruuttamiseksi. Ajoitus nollautuu summerin soidessa.

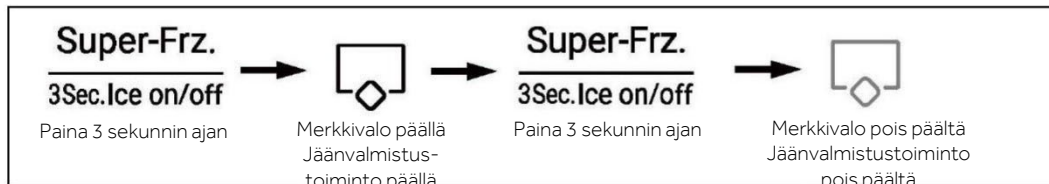


## Huomautus

Suodattimen normaali käyttöikä on kuusi kuukautta. On suositeltavaa vaihtaa suodatin kuuden kuukauden välein.

## Jäänvalmistustila

1. Paina lukitsemattomassa tilassa E-painiketta (Jäänvalmistustilan valitsin) 3 sekunnin ajan. Summeri soi kerran, e2-merkkivalo (Jäänvalmistustila) syttyy ja jäänvalmistustila kytkeytyy päälle.
2. Kun e2-merkkivalo (Jääpalanvalmistustila) palaa, paina E-painiketta (Jäänvalmistustilan valitsin) 3 sekunnin ajan. Summeri soi kerran, e2-merkkivalo (Jäänvalmistustila) sammuu ja jäänvalmistustila kytkeytyy pois päältä.



## Huomautus

Kun sovellus on kytketty päälle, jääpalakone on oletusarvoisesti pois päältä.

Jos et tarvitse jääkuutioita pitkään aikaan, kytke jääpalakone pois päältä, tyhjennä säiliö, puhdista se ja aseta puhdas säiliö takaisin paikalleen.

Jääpalakone voidaan määrittää van valmistajan kanssa. Jääpalakone voidaan myös ostaa sen huoltoedustajalta.

## Vedenotto toiminto

Paina missä tahansa tilassa (lukittu tai lukitsematon) painiketta H1 (Vedenotto toiminnon valitsin). Summeri soi kerran, merkkivalo h1 (Vedenotto toiminto) syttyy ja vedenotto toiminto kytkeytyy päälle.

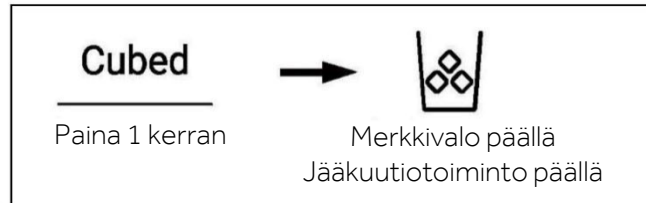


## Huomautus

1. Kun merkkivalo h1 (Vedenotto toiminto) syttyy, merkkivalo h2 (Jääkuutiotoiminto) ja merkkivalo h3 (Jäämurskatoiminto) sammuvat. Kun annostelulaitetta painetaan, vettä virtaa vedenottoaukosta.
2. Kun vettä on otettu 150 s, jääkaapista kuuluu merkkiääni ja vedenotto keskeytyy, kunnes aikaa on kulunut 180 s. Vedentulo katkeaa ja vesiventtiili siirtyy 200 s suoja-aikaan. Vedenotto voidaan tämän jälkeen aloittaa normaalisti.
3. Kun kumulatiivinen vedenottoaika saavuttaa 10 minuutin aikana 5 minuuttia, vesiventtiili siirtyy 10 minuutin suoja-aikaan, minkä jälkeen vedenottoa voidaan jatkaa.

## Jääkuutiotoiminto

Paina missä tahansa tilassa (lukittu tai lukitsematon) painiketta H2 (Jääkuutiotoiminnon valitsin). Summeri soi kerran, merkkivalo h2 (Jääkuutiotoiminto) syttyy ja Jääkuutiotoiminto kytkeytyy päälle.

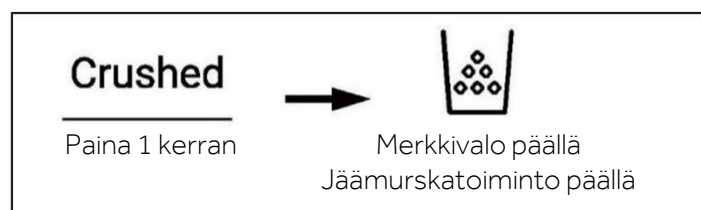


## Huomautus

1. Kun merkkivalo h2 (Jääkuutiotoiminto) palaa, merkkivalo h1 (Vedenottotoiminto) ja merkkivalo h3 (Jäämurskatoiminto) sammuvat. Kun jakelijan mikrokytkintä painetaan, jääkuutiot valuvat ulos ottoaukosta.
2. Kun jäänvalmistus kytketään sähköverkkoon, Jääkuutiotoiminto kytkeytyy oletusarvoisesti pois päältä.
3. Paina annostelijan mikrokytkintä. Sen valo syttyy kannen ollessa auki. Jäätä murskaava moottori alkaa tämän jälkeen pyöriä vastapäivään ja valmistaa jääpaloja. Irrota mikrokytkin annostelijasta. Jään murskaaminen pysähtyy. Annostelijan kansi sulkeutuu ja valo sammuu 5 sekunnin kuluttua.
4. Kun Jääkuutiotila on käytössä pidempään kuin 50 sekuntia, summeri alkaa hälyttää (koputus). Toiminto olisi tällöin kytkettävä pois päältä. Kun käyttöaika saavuttaa 1 minuutin, Jääpalatoiminto on kytkettävä pois päältä. Toiminto on käytössä, kun kytkintä painetaan seuraavan kerran.
5. Jos jääkaapin ovi avataan Jääpalatoiminnon ollessa päällä, jäätä toimittava moottori pysähtyy, annostelijan kansi on suljettu, annostelijan valo ei ole päällä ja Jääpalatoiminto pysähtyy.
6. Jäätä ei saa ottaa laitteesta jääkaapin oven ollessa auki.

## Jäämurskatoiminto

Paina missä tahansa tilassa (lukittu tai lukitsematon) painiketta H3 (Jäämurskatoiminnon valitsin). Summeri soi kerran, merkkivalo h3 (Jäämurskatoiminto) syttyy ja Jäämurskatoiminto kytkeytyy päälle.



## Huomautus

Kun merkkivalo h3 (Jäämurskatoiminto) palaa, merkkivalo h1 (Vedenotto toiminto) ja merkkivalo h2 (Jääkuutiotoiminto) sammuvat. Kun jakelijan mikrokytkintä painetaan, murskattu jää virtaa ulos ottoaukosta.

Paina annostelijan mikrokytkintä. Sen valo syttyy kannen ollessa auki. Jäätä murskaava moottori alkaa pyöriä myötäpäivään ja valmistaa jääpaloja. Irrota mikrokytkin annostelijasta. Jään murskaaminen pysähtyy. Annostelijan kansi sulkeutuu ja valo sammuu 5 sekunnin kuluttua.

Kun Jäämurskatila on käytössä pidempään kuin 50 sekuntia, sumneri alkaa hälyttää (koputus). Toiminto olisi tällöin kytkettävä pois päältä. Kun käyttöaika saavuttaa 1 minuutin, Jäämurskatoiminto on kytkettävä pois päältä. Toiminto on käytössä, kun kytkintä painetaan seuraavan kerran.

Jos jääkaapin ovi avataan Jäämurskatoiminnon ollessa päällä, jäätä toimittava moottori pysähtyy, annostelijan kansi on suljettu, annostelijan valo ei ole päällä ja Jäämurskatoiminto pysähtyy. Jäätä ei saa murskata jääkaapin oven ollessa auki.

## Oven avaushälytys

Jos mitä tahansa ovea pidetään auki liian kauan tai ovi ei ole kunnolla kiinni, jääkaappi antaa äänimerkin määrätyin väliajoin ja muistuttaa oven sulkemisesta ajoissa.

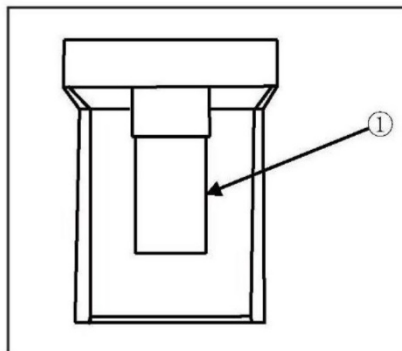
## Muisti ja virrankatkaisu

Virran katketessa laite muistaa toimintatilan. Kun virta kytketään uudelleen, laite palaa toimimaan sen asetuksen mukaisesti, joka oli käytössä ennen virran katkaisemista.

## Jää- ja vesiannostelijan käyttö

Paina annostelijan valintapainiketta toistuvasti, kunnes haluamasi merkkivalon yläpuolella oleva valo syttyy.

Paina annostelijan levyä (1) lasilla tai muulla astialla annostellaksesi jääkuutioita, vettä tai murskattua jäätä.

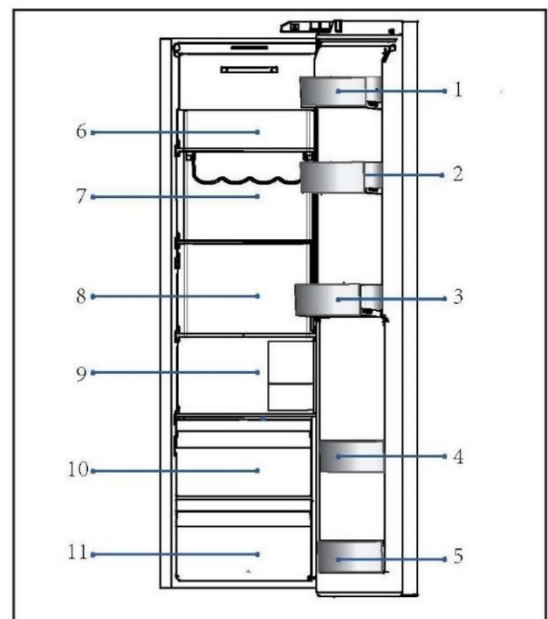


# VINKKEJÄ TUOREIDEN ELINTARVIKKEIDEN SÄILYTYKSEEN

## Säilytys jääkaapissa

1. Pidä jääkaapin lämpötila alle 5 °C:eesa.
2. Kuuma ruoka on jäädytettävä huoneenlämpöiseksi ennen sen laittamista laitteeseen.
3. Jääkaapissa säilytettävät elintarvikkeet tulisi pestä ja kuivata ennen kuin ne asetetaan jääkaappiin.
4. Jääkaapissa säilytettävä ruoka tulisi säilyttää huolellisesti suljetuissa astioissa, jotta sen maku tai tuoksu ei muutu.
5. Älä säilytä jääkaapissa huomattavan suuria määriä ruokaa. Jätä tuotteiden väliin tilaa, jotta ilma pääsee kiertämään jääkaapissa. Näin tuotteet jäähtyvät paremmin ja tasaisemmin.
6. Päivittäin syötävät elintarvikkeet tulisi säilyttää hyllyn etuosassa.
7. Jätä elintarvikkeiden ja sisäseinien väliin tilaa, jotta ilma pääsee kiertämään vapaasti. Erityisesti tulee välttää elintarvikkeiden asettamista takaseinää vasten, koska ne voivat tällöin jäätyä. Vältä elintarvikkeiden (erityisesti rasvaisten tai happamien elintarvikkeiden) suoraa kosketusta sisäseiniin, koska öljy/happo voi vahingoittaa seinäpintaa. Puhdista öljyinen/hapan lika aina, kun sitä löytyy.
8. Sulata pakasteet jääkaapissa. Näin voit käyttää pakastettua ruokaa lämpötilan alentamiseen ja energian säästämiseen.
9. Hedelmien ja vihannesten, kuten kesäkurpitsan, melonin, papaijan, banaanin, ananaksen jne. vanhentumisprosessi voi nopeutua jääkaapissa. Siksi niitä ei ole suositeltavaa säilyttää jääkaapissa. Raakojen (erittäin vihreiden) hedelmien kypsymistä voidaan kuitenkin edistää jonkin aikaa jääkaappisäilytyksellä. Sipulit, valkosipulit, inkivääri ja muut juurekset tulisi myös säilyttää huoneenlämmössä.
10. Jääkaapin epämiellyttävät hajut ovat merkki siitä, että jääkaappi on likainen ja että puhdistus on tarpeen. Katso kohta HOITO JA PUHDISTUS.
11. Eri elintarvikkeet tulisi sijoittaa eri alueille niiden ominaisuuksien mukaan:

- 1-Voi, juusto jne.
- 2-Munat, säilykkeet, mausteet jne.
- 3/4/5- Juomat ja pullotetut ruoat.
- 6-Säilykkeet, säilötyt ruuat jne.
- 7/8-Lihavalmisteet, kala, raa'at elintarvikkeet.
- 9-Tölkit, maitotuotteet jne.
- 10-Hedelmät, vihannekset, salaatti jne.
- 11-Keitetty liha, makkarat jne.

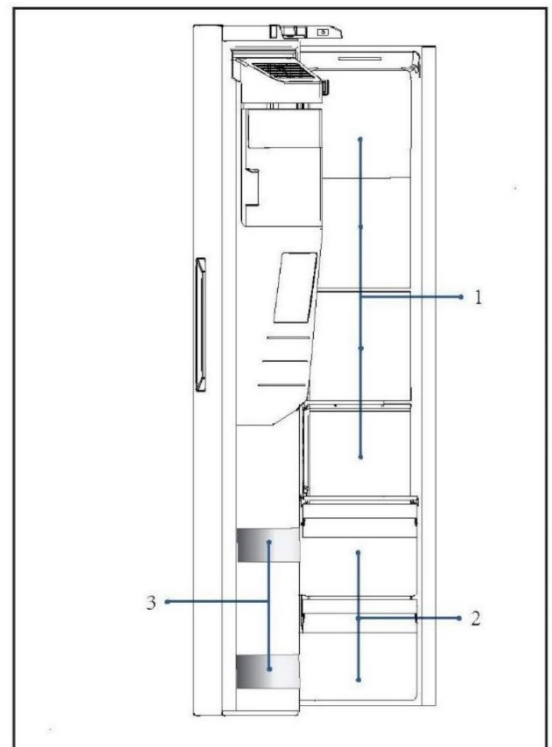


## VINKKEJÄ TUOREIDEN ELINTARVIKKEIDEN SÄILYTYKSEEN

### Säilytys pakastimessa

1. Pidä pakastimen lämpötilana  $-18\text{ }^{\circ}\text{C}$ .
2. Ota Super-Freeze-toiminto käyttöön 12 tuntia ennen uuden ruokaerän pakastamista. Pienille pakastettaville ruokamäärille riittää 4–6 tuntia.
3. Kuuma ruoka on jäähdytettävä huoneenlämpöiseksi, ennen kuin se voidaan sijoittaa pakastimeen.
4. Pienempiin annoksiin jaettu ruoka pakastuu nopeammin ja on helpompi sulattaa ja kypsentää. Yhden annoksen suositeltu paino on alle 2,5 kg.
5. Pakkaa ruoka huolellisesti ennen sen asettamista pakastimeen. Pakkauksen ulkopinnan on oltava kuiva, jotta pussit eivät tartu yhteen. Pakkausmateriaalien on oltava hajuttomia, ilmatiiviitä ja myrkyttömiä.
6. Liian pitkien pakastusaikojen välttämiseksi pakkaukseen kannattaa merkitä pakastuspäivä, pakastetun tuotteen nimi ja viimeinen säilytyspäivä, joka määräytyy kyseisen ruoka-aineksen yleisten säilyvyys-suositusten mukaan.
7. **VAROITUS:** Happo, emäkset ja suola jne. voivat vahingoittaa pakastimen sisäpintaa. Älä aseta näitä aineita sisältävää ruokaa (esim. merikalat) suoraan sisäpinnalle. Pakastimeen joutuva suolavesi on puhdistettava välittömästi.
8. Älä ylitä valmistajien suosittelemaa ruokien säilytysaikaa. Ota pakastimesta vain tarvittava määrä ruokaa kerralla.
9. Eri elintarvikkeet tulisi sijoittaa eri alueille niiden ominaisuuksien mukaan:

- 1- Kevyemmät esineet, kuten jäätelö, vihannekset, leipä jne.
- 2- Suuremmat/raskaammat ruoka-annokset, kuten paistiliha.
- 3- Pizza jne.





## HUOMAUTUS: SÄILYTYS

1. Pidä ruoan ja anturin välillä vähintään 10 mm:n väli viilennystehon varmistamiseksi.
2. Varmista laitteen jatkuva jäähdytysteho jättämällä alin laatikko paikalleen laitteeseen laitteen ollessa käytössä.
3. Elintarvikkeita, jotka sisältävät jäätä (kuten jäätelöä jne.), tulisi säilyttää pullotelineiden sijaan pakastimessa. Lämpötilan muutokset, joille pullotelineet altistuvat ovia avattaessa ja suljettaessa, voivat sulattaa ruoan.
4. Syö sulatettu ruoka nopeasti. Sulatettua ruokaa ei voi pakastaa uudelleen, ellei sitä kypsennetä ensin, sillä saman tuotteen pakastaminen uudelleen käsittelemättömänä voi tehdä siitä syömäkelvottoman.
5. Älä sijoita pakastinosastoon kerralla erittäin suuria määriä tuoretta ruokaa. Tarkista pakastimen pakastuskapasiteetti – katso TEKNISET TIEDOT tai tiedot tyyppikilvestä.
6. Ruokaa voidaan säilyttää pakastimessa vähintään -18 °C:een lämpötilassa 2–12 kuukautta. Säilytysajan pituus riippuu pakastettavasta ruuasta (esimerkiksi liha: 3–12 kuukautta, vihannekset 6–12 kuukautta).
7. Kun pakastat tuoreita elintarvikkeita, vältä niiden joutumista kosketuksiin jo pakastettujen elintarvikkeiden kanssa. Sulamisvaara!
8. Sulata pakasteet jääkaapissa. Näin voit käyttää pakastettua ruokaa lämpötilan alentamiseen ja energian säästämiseen.

### **Kun säilytät kaupallisesti pakastettuja elintarvikkeita, noudata näitä ohjeita:**

1. Noudata aina valmistajan ohjeita säilytysajan pituudesta. Älä säilytä ruokaa pakastimessa annettuja ohjeita pidempään!
2. Ostamisen ja pakastimeen laittamisen välinen aika kannattaa elintarvikkeiden laadun säilyttämiseksi pitää mahdollisimman lyhyenä.
3. Osta pakastettuja elintarvikkeita, joita on säilytetty -18 °C:ssa tai sitä alhaisemmassa lämpötilassa.
4. Vältä ostamasta elintarvikkeita, joiden pakkauksessa on jäätä tai huurretta. Tämä osoittaa, että tuotteet ovat saattaneet jossakin vaiheessa osittain sulaa ja tämän jälkeen taas jäätyä, mikä huonontaa tuotteiden laatua.



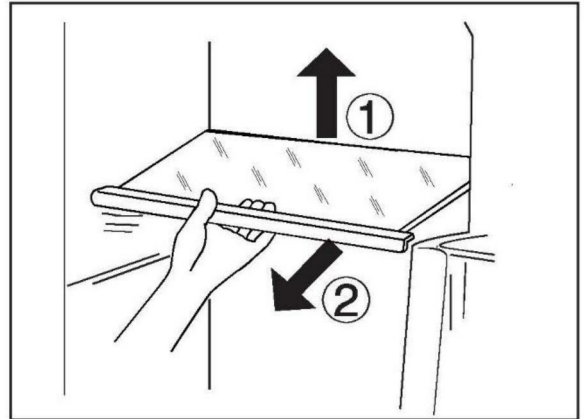


## Energiansäästövinkejä

- ▶ Varmista, että laite on tuuletettu kunnolla (katso ASENNUS).
- ▶ Älä asenna laitetta suoraan auringonvaloon tai lämmönlähteiden läheisyyteen (esim. uunit, lämmittimet).
- ▶ Älä laske laitteen lämpötilaa tarpeettoman alhaiseksi. Energiankulutus kasvaa, mitä alhaisempi lämpötila laitteessa on.
- ▶ POWER-FREEZE-toiminnon kaltaiset toiminnot kuluttavat enemmän energiaa.
- ▶ Jäähdytä lämmin ruoka ennen kuin laitat sen laitteeseen.
- ▶ Avaa laitteen ovi mahdollisimman vähän ja pidä sitä auki mahdollisimman lyhyesti.
- ▶ Älä täytä laitetta liikaa, jotta ilman kiertäminen ei esty.
- ▶ Vältä ilmaa elintarvikepakkausten sisällä.
- ▶ Pidä oven tiivisteet puhtaina, jotta ovi sulkeutuu aina oikein.
- ▶ Sulata pakasteet jääkaapissa.
- ▶ Energiaa säästävin kokoonpano edellyttää, että laitteen laatikot, ruokalaatikot ja hyllyt pidetään samassa kunnossa kuin ne olivat uutena, ja elintarvikkeet tilisi sijoittaa mahdollisimman pitkälle laitteen takaosaan kuitenkin siten, että ne eivät tuki ilmakanavan aukkoja.

### Säädettävät hyllyt

1. Hyllyjen korkeutta voidaan säätää varastointitarpeidesi mukaan.
2. Jos haluat siirtää hyllyä, poista se ensin nostamalla sen takareunaa ① ja vetämällä se ulos ②.
3. Asenna se uudelleen asettamalla se molemmiin puoliin oleviin korvakkeisiin ja työntämällä se takimmäiseen asentoon, kunnes hyllyn takaosa on kiinnitetty sivuilla oleviin aukkoihin

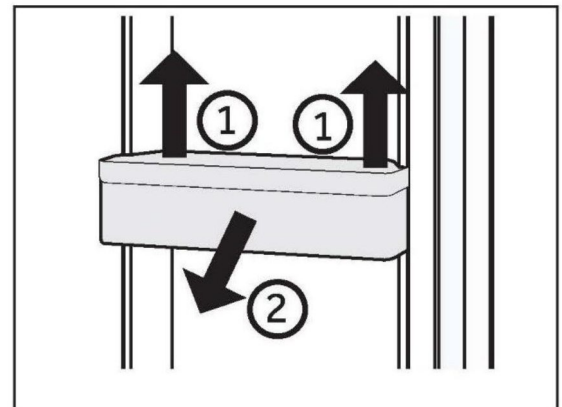


### HUOMAUTUS

Varmista, että hyllyn kaikki kulmat ovat tasaisesti.

### Irrotettavat ovitelineet/pulloteline

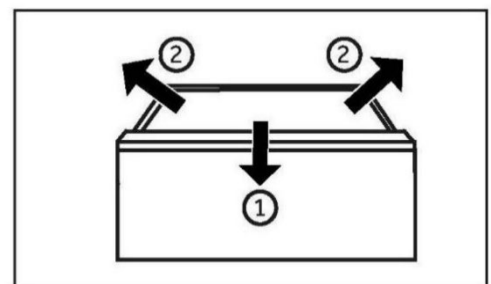
1. Ovitelineet/pulloteline voidaan irrottaa puhdistusta varten:
2. Aseta kädet telineiden/pullotelineen kummallekin puolelle, nosta sitä ylöspäin ① ja vedä se ulos ②.
3. Voit asettaa ovitelineet/pullotelineen takaisin paikalleen toistamalla edellä mainitut vaiheet päinvastaisessa järjestyksessä.



### Irrotettava laatikko

Irrota laatikko vetämällä ulos mahdollisimman paljon ①, nostamalla ja poistamalla ②.

Voit asettaa laatikon takaisin paikalleen toistamalla edellä mainitut vaiheet päinvastaisessa järjestyksessä.



### Jääsäiliö

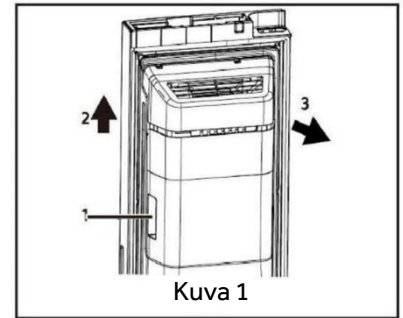
#### Jään valmistuksen pysäyttäminen

Jos jäätä tai vettä ei tarvita pitkään aikaan, vedensyötön ja laitteen välinen venttiili voidaan kytkeä pois päältä.

Jään säilytyslaatikko tulisi puhdistaa, kuivata ja laittaa takaisin laitteeseen hajujen syntyminen estämiseksi.

### Jääsäiliön irrottaminen

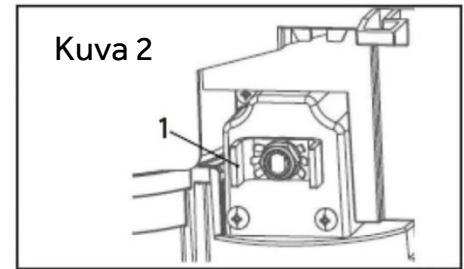
1. Tartu molemmin puolin ripustimiin.
2. Nosta säiliö ylös.
3. Vedä säiliö ulos.



Kuva 1

### Jääsäiliön asennus takaisin paikalleen

Jotta jääsäiliö voidaan asentaa uudelleen, U-muotoinen kiinnike jääsäiliön takana (1 kuvassa 2) on kohdistettava vastaavaan metallirakenteeseen. Noudata ohjeita kuvasta 1 eteenpäin päinvastaisessa järjestyksessä.



Kuva 2



## HUOMAUTUS

Kosteus voi tiivistyä ja jäädyttää jään säilytyslaatikon paikalleen.



### VAROITUS!

Irrota laite pistorasiasta tai virtalähteestä ennen puhdistusta.

#### Puhdistus

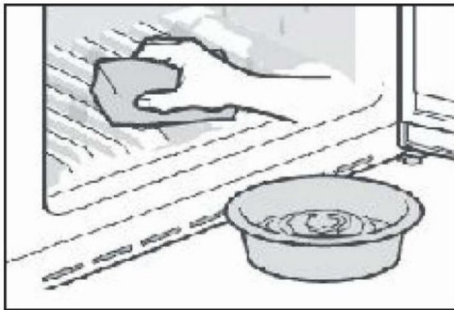
Puhdista laite, kun ruokaa on varastoituna vain vähän tai ei lainkaan.

Laite on puhdistettava joka neljän viikon välein. Tämä takaa hyvät ylläpitorutiinit ja ehkäisee ruokien pilaantumisen ja siitä johtuvat pahat hajut.



### VAROITUS!

- ▶ Älä puhdista laitetta käyttämällä kovia harjoja, teräsharjoja, pesuainejauhetta, bensiiniä, amyyliasetaattia, asetonia ja vastaavia orgaanisia liuoksia tai happamia tai emäksisiä liuoksia. Vältä vauriot puhdistamalla erityisellä jääkaapin pesuaineella.
- ▶ Älä suihkuta tai huuhtele laitetta puhdistuksen aikana.
- ▶ Älä käytä vesisuihkua tai höyryä laitteen puhdistamiseen.
- ▶ Älä puhdista kylmiä lasihyllyjä kuumalla vedellä. Nopeat lämpötilanmuutokset voivat aiheuttaa lasin rikkoutumisen.
- ▶ Älä koske pakastimen säilytyslokeroon sisäpintaa etenkin märin käsin, koska kädet saattavat jäätyä pintaan kiinni.
- ▶ Jos pakastin on päässyt lämpimään, tarkista pakastettujen elintarvikkeiden kunto.



- ▶ Pidä oven tiiviste aina puhtana.
- ▶ Puhdista laitteen sisäpinnat ja kotelo haalealla vedellä ja neutraalilla pesuaineella kostutetulla sienellä.
  1. Pese jääkaapin sisä- ja ulkopuoli, mukaan lukien oven tiiviste, oveteline, lasihyllyt, laatikot ja niin edelleen, pehmeällä pyyhkeellä tai sienellä, joka on kastettu lämpimään veteen (voit lisätä neutraalia pesuainetta lämpimään veteen).
  2. Jos nestettä on vuotanut jääkaappiin, poista kaikki likaantuneet osat, huuhtele juoksevalla vedellä, kuivaa ja aseta takaisin jääkaappiin.
  3. Jos jääkaappiin on valunut kermaa (tai esimerkiksi sulanutta jäätelöä), poista kaikki likaantuneet osat, laita lämpimään veteen (noin 40 °C) joksikin aikaa, huuhtele juoksevalla vedellä, kuivaa ja aseta takaisin jääkaappiin.
  4. Jos jokin pieni osa tai komponentti juuttuu jääkaapin sisälle (hyllyjen tai laatikoiden väliin), poista se pienellä pehmeällä harjalla. Jos et saa poistettua osaa itse, ota yhteyttä Haierin huoltoon
- ▶ Huuhtele ja kuivaa pehmeällä liinalla.
- ▶ Älä pese laitteen mitään osia astianpesukoneessa.
- ▶ Odota vähintään 5 minuuttia ennen kuin käynnistät laitteen uudelleen, sillä usein tapahtuvat käynnistykset voivat vahingoittaa kompressoria.

#### Sulatus

Jääkaappi ja pakastinosasto sulatetaan automaattisesti, manuaalinen sulatus ei ole tarpeen.



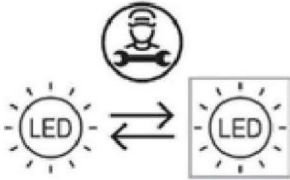
LED-lamppujen vaihtaminen



## VAROITUS!

Älä vaihda LED-lamppua itse, sen saa vaihtaa vain valmistaja tai valtuutettu huoltoedustaja.

Valaisimissa on LED-valonlähde, jolla on alhainen energiankulutus ja pitkä käyttöikä. Jos havaitset poikkeavuuksia, ota yhteyttä asiakaspalveluun. Katso ASIAKASPALVELU.



Valonlähteen (vain LED-valo) saa vaihtaa vain ammattilainen.

Tämä tuote sisältää energiatehokkuusluokan G valonlähteen.

Osasto	Jännite	Energiatehokkuusluokka	Malli
Jääkaappi	12 V	G	HSW59F18DIMM
Pakastin	12 V	G	HSW79F18DIPT
Takavallo	12 V	G	HSW79F18DIPT

## Jääsäiliön puhdistus

Puhdista jääsäiliö säännöllisesti lämpimällä vedellä, varsinkin jos jääpalat ovat vanhoja ja alkavat maistua vanhentuneilta. Kuivaa säiliö hyvin ennen kuin laitat sen takaisin laitteeseen, jotta jääpalat eivät tartu säiliön seiniin.

## Jos laitetta ei käytetä pitkähköön aikaan

Jos laitetta ei käytetä pitkään aikaan, etkä käytä Holiday-toimintoa jääkaapissa:

- ▶ Poista ruoka jääkaapista.
- ▶ Irrota virtapistoke.
- ▶ Puhdista laite edellä kuvatulla tavalla.
- ▶ Pidä ovet auki estääksesi epämiellyttävien hajujen muodostumisen.



## HUOMAUTUS

Sammuta laite vain, jos se on ehdottoman välttämätöntä.



### Laitteen siirtäminen

1. Poista kaikki elintarvikkeet ja irrota virtajohto seinäpistorasiasta.
2. Kiinnitä jääkaapin ja pakastimen hyllyt ja muut liikkuvat osat teipillä.
3. Älä kallista jääkaappia yli 45° kulmaan jäähdytysjärjestelmän vahingoittumisen välttämiseksi.



### VAROITUS!

- ▶ Älä nosta laitetta kahvoista.
- ▶ Älä koskaan aseta laitetta vaakasuoraan maahan.

### Suodattimen vaihtaminen

Vedensuodatin on vaihdettava noin 6 kuukauden välein, kun merkkivalo c3 (Suodattimen nollaustoiminto) syttyy.

Korvaavan vesisuodattimen ostaminen:

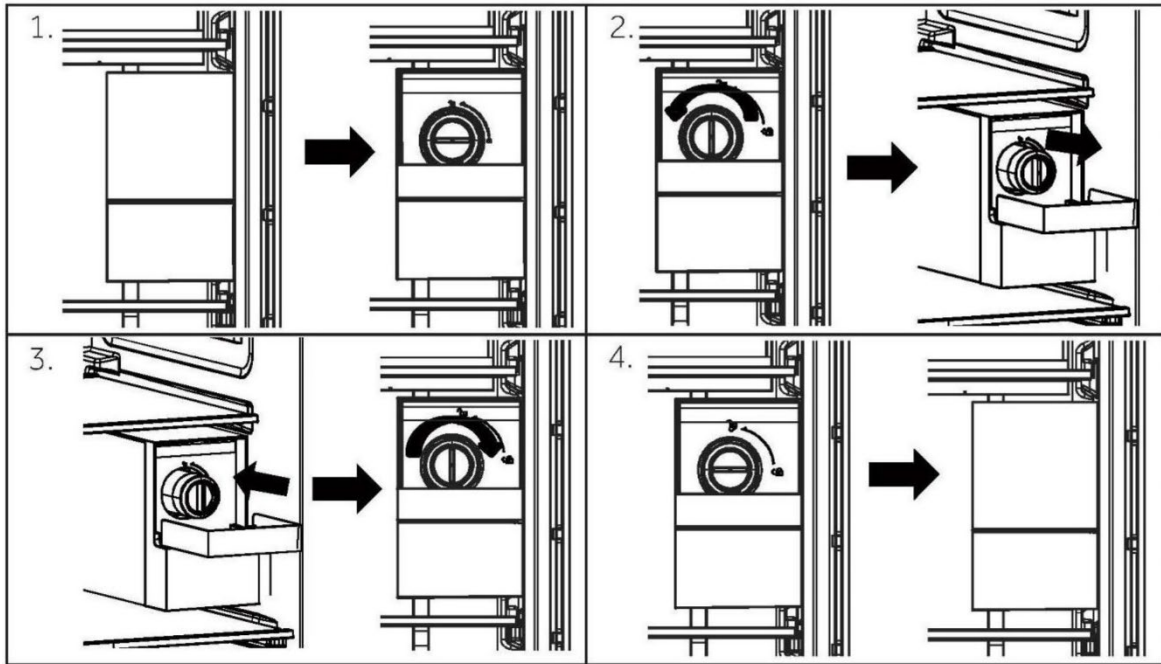
- Käytä vaihtokasettia: HRXWF,
- Ota yhteys paikalliseen jälleenmyyjään tai jälleenmyyjään. Lisäapua saat verkkosivuiltamme osoitteesta [www.haierespares.eu](http://www.haierespares.eu)



### Huomautus

- ▶ Vedensuodattimen vaihtaminen aiheuttaa pienen vesimäärän (noin 1 oz. tai 25 cc) valumisen.
- ▶ Kerää vuotava vesi käärimällä kangas vedensuodattimen kannen etupään ympärille. Pidä vedensuodatinta pystyasennossa, kun se on poistettu, jotta et vahingossa kaada loppuvettä pois suodattimesta.

1. Paina ylemmän kannen keskiosaa ja käännä se alaspäin.
2. Poista kertakäyttöinen suodatin.
3. Vaihda uuteen vesisuodattimeen. Aseta uusi suodatin suodatinpähän ja kierrä sitä myötöpäivään, kunnes uuden suodattimen nuoli on linjassa suodatinpään nuolen kanssa. Käännä suodatin takaisin lokeroon.
4. Sulje vedensuodattimen kansi.



5. Paina ja pidä painettuna 3Sec. Filter Reset-painiketta eli suodattimen nollauspainiketta 3 sekunnin ajan.
6. Annostele vettä noin 5 minuutin ajan. Näin voit poistaa ilman ja epäpuhtaudet.



## HUOMIO!

- ▶ Jos suodattimia ei vaihdeta tarvittaessa tai käytetään muita kuin Haierin hyväksymiä vesisuodattimia, suodatinpatruuna voi vuotaa ja aiheuttaa omaisuusvahinkoja.

## Vedensuodatin

### Malli: Haier HRXWF

- ▶ Järjestelmä, jonka IAPMO R&T on sertifioinut NSF/ANSI-standardien 42, 53, 401 ja P473 mukaisesti suorituskykykyselyssä ja osoitteessa iapmort.org määriteltyjen vaatimusten vähentämiseksi.
- ▶ Todellinen suorituskyky voi vaihdella paikallisten vesiolosuhteiden mukaan.

## Käyttöohjeet/vesihuoltoparametrit

Palveluvirta: 0,5 gpm (1,89 lpm)

Vedensyöttö: Juomavesi

Vedenpaine: 25–120 psi (172–827 kPa)

Veden lämpötila: 0,6°C–38°C

Kapasiteetti: 643,5 litraa



On tärkeää, että valmistajan suosittelemat asennus-, huolto- ja suodattimenvaihtovaatimukset täyttyvät, jotta tuote toimisi mainostetulla tavalla. Katso takuutiedot asennusoppaasta.



### Huomautus

Testaus suoritettiin tavanomaisissa laboratorio-olosuhteissa, mutta todellinen suorituskyky voi vaihdella. Vaihtokasetti: HRXWF Korvaavien osien arvioidut kustannukset löytyvät verkkosivuiltamme osoitteesta [www.haierspares.eu](http://www.haierspares.eu).



### VAROITUS!

- ▶ Epäpuhtauksien nauttimiseen liittyvän riskin vähentämiseksi:
- ▶ Älä käytä tässä järjestelmässä vettä, joka on mikrobiologisesti vaarallista tai jonka laatu ei ole tiedossa, ilman riittävää desinfiointia ennen tässä järjestelmässä käyttämistä ja sen jälkeen. Kystien vähentämiseen sertifioituja järjestelmiä voidaan käyttää desinfioidussa vedessä, joka saattaa sisältää suodatettavia kystoja.



### Huomautus

#### **Vesivuodon tai vuotojen riskin vähentämiseksi ja suodattimen optimaalisen suorituskyvyn varmistamiseksi:**

- ▶ Lue ja noudata käyttöohjeita ennen tämän järjestelmän asennusta ja käyttöä.
- ▶ Asennuksessa ja käytössä ON noudatettava kaikkia valtion ja paikallisia LVI-säännöksiä.
- ▶ Älä asenna, jos vedenpaine ylittää 827 kPa (120 psi). Jos vedenpaineesi ylittää 552 kPa (80 psi), sinun on asennettava paineenrajoitusventtiili. Ota yhteyttä putkiasentajaan, jos olet epävarma vedenpaineen tarkistamisesta.
- ▶ Älä asenna paikkaan, jossa voi esiintyä heilahduspaineita. Jos heilahduspaineita esiintyy, sinun on asennettava heilahduspaineen pidätin. Ota yhteyttä putkiasentajaan, jos olet epävarma siitä, miten voit tarkistaa tämän tilan.
- ▶ Älä asenna kuumavesiputkiin. Tämän suodatinjärjestelmän korkein käyttöveden lämpötila on 38 °C.
- ▶ Suojaa suodatin jäätymiseltä. Tyhjennä suodatin, kun lämpötila laskee alle 0,6 °C.
- ▶ Vaihda kertakäyttöinen suodatinpatruuna kuuden kuukauden välein tai aikaisemmin, jos havaitset veden virtausnopeuden huomattavaa vähenemistä.
- ▶ Kertakäyttöisen suodatinpatruunan vaihtamatta jättäminen suositelluin väliajoin voi johtaa suodattimen suorituskyvyn heikkenemiseen ja suodatinkotelon halkeamiin, mikä voi aiheuttaa vesivuodon tai tulvan.
- ▶ Tämä järjestelmä on testattu NSF/ANSI 42:n, 53:n, 401:n ja P473:n mukaisesti alla lueteltujen aineiden vähentämiseksi. Ilmoitettujen aineiden pitoisuus järjestelmään tulevassa vedessä pieneni alemmaksi tai yhtä suureksi kuin NSF/ANSI 42:n, 53:n, 401:n ja P473:n mukainen järjestelmästä poistuvan veden sallittu raja-arvo.



Monet ongelmat voidaan ratkaista itse ilman erityistä asiantuntemusta. Tarkista ongelmatilanteessa ensin kaikki mahdolliset ratkaisut ja noudata alla olevia ohjeita, ennen kuin otat yhteyttä myyntipalveluumme. Katso ASIAKASPALVELU.



## VAROITUS!

- ▶ Kytke laite pois päältä ja irrota verkkopistoke verkkopistorasiasta ennen huoltotoimia.
- ▶ Sähkölaitteita saavat huoltaa vain pätevät sähköasiantuntijat, koska virheelliset korjaukset voivat aiheuttaa huomattavia välillisiä vaurioita.
- ▶ Jos virtajohto on vaurioitunut, valmistajan, sen huoltoedustajan tai vastaavan ammattitaitoisen henkilön on vaihdettava se vaaran välttämiseksi.

Ongelma	Mahdollinen syy	Mahdollinen ratkaisu
Kompressor ei toimi.	<ul style="list-style-type: none"> <li>• Pistoke ei ole liitetty seinäpistorasiaan.</li> <li>• Laite on huurteenpoistotilassa.</li> </ul>	<ul style="list-style-type: none"> <li>• Liitä pistoke seinäpistorasiaan.</li> <li>• Tämä on normaalia automaattisessa huurteenpoistossa.</li> </ul>
Laite käy huomattavan usein tai pitkiä aikoja kerrallaan.	<ul style="list-style-type: none"> <li>• Sisä- tai ulkolämpötila on liian korkea.</li> <li>• Laitteen virta on ollut jokin aikaa pois kytkettynä.</li> <li>• Laitteen ovi ei ole tiiviisti kiinni.</li> <li>• Ovi on avattu liian usein tai liian pitkään.</li> <li>• Pakastimen lämpötila-asetus on liian alhainen.</li> <li>• Oven tiiviste on likainen, kulunut, haljennut tai yhteensopimaton.</li> <li>• Vaadittua ilmankiertoa ei voida taata.</li> </ul>	<ul style="list-style-type: none"> <li>• Tässä tilanteessa on normaalia, että laite käy tavallista pidempään.</li> <li>• Laitteen täydellinen jäähtyminen kestää yleensä 8–12 tuntia.</li> <li>• Sulje ovi/laatikko ja varmista, että laite on sijoitettu tasaiselle alustalle ja etteivät elintarvikkeet tai astia estä oven sulkeutumista</li> <li>• Älä avaa ovea/laatikkoa liian usein.</li> <li>• Aseta lämpötila korkeammaksi, kunnes jääkaapin lämpötila on tyydyttävä. Jääkaapin lämpötilan vakiintuminen kestää 24 tuntia.</li> <li>• Puhdista oven/laatikon tiiviste tai pyydä asiakaspalvelusta apua sen vaihtamiseksi.</li> <li>• Varmista riittävä ilmanvaihto.</li> </ul>
Jääkaappi on sisältä likainen ja/tai haisee pahalle.	<ul style="list-style-type: none"> <li>• Jääkaapin sisätilat on puhdistettava.</li> <li>• Jääkaapissa säilytetään voimakkaan hajuista ruokaa.</li> </ul>	<ul style="list-style-type: none"> <li>• Puhdista jääkaappi sisältä.</li> <li>• Pakkaa ruoka tiiviisti.</li> </ul>



Ongelma	Mahdollinen syy	Mahdollinen ratkaisu
Laite pitää epänormaalia ääntä.	<ul style="list-style-type: none"><li>• Laite ei sijaitse tasaisella lattialla.</li><li>• Laite koskettaa jotain sen ympärillä olevaa esinettä.</li></ul>	<ul style="list-style-type: none"><li>• Säädä jalat jotta laite on vaakatasossa.</li><li>• Poista esineet laitteen ympäriltä.</li></ul>
Laitteen sisällä ei ole tarpeeksi kylmää.	<ul style="list-style-type: none"><li>• Lämpötila on asetettu liian korkeaksi. Jääkaappiin on laitettu liian lämpimiä elintarvikkeita.</li><li>• Ruokaa on varastoitu kerralla liikaa.</li><li>• Elintarvikkeet ovat liian lähellä toisiaan.</li><li>• Laitteen laatikko tai ovi ei ole tiiviisti kiinni.</li><li>• Ovea/laatikkoa on avattu liian usein tai liian pitkään.</li></ul>	<ul style="list-style-type: none"><li>• Aseta lämpötila uudelleen.</li><li>• Jäähdytä elintarvikkeet ja ruuat aina ennen niiden lisäämistä.</li><li>• Lisää aina pieniä määriä ruokaa.</li><li>• Jätä aukko useiden elintarvikkeiden välille, jolloin ilma pääsee virtaamaan.</li><li>• Sulje ovi/laatikko.</li><li>• Älä avaa ovea/laatikkoa liian usein.</li></ul>
Laitteen sisällä on liian kylmä.	<ul style="list-style-type: none"><li>• Lämpötila on asetettu liian alhaiseksi. Super-Frz/ Super-Cool-toiminto on aktivoitu tai on käynnissä liian kauan.</li></ul>	<ul style="list-style-type: none"><li>• Aseta lämpötila uudelleen.</li><li>• Kytke Super-Frz/Super-Cool-toiminto pois päältä.</li></ul>
Jääkaappiosaston sisäpuolelle muodostuu kosteutta.	<ul style="list-style-type: none"><li>• Ilmasto on liian lämmin ja liian kostea.</li><li>• Laitteen laatikko tai ovi ei ole tiiviisti kiinni.</li><li>• Ovea/laatikkoa on avattu liian usein tai liian pitkään.</li><li>• Elintarvikkeita tai nesteitä ei säilytetä suljetuissa astioissa.</li></ul>	<ul style="list-style-type: none"><li>• Säädä lämpötilaa kylmemmälle.</li><li>• Sulje ovi/laatikko.</li><li>• Älä avaa ovea/laatikkoa liian usein.</li><li>• Anna kuumien ruokien jäähtyä huoneenlämmössä ja peitä ruoat ja nesteet.</li></ul>
Jääkaapin kosteus kerääntyy pinnan ulkopuolelle tai ovien/oven ja laatikon väliin.	<ul style="list-style-type: none"><li>• Ilmasto on liian lämmin ja liian kostea.</li><li>• Ovi ei ole tiukasti kiinni. Laitteen kylmä ilma ja sen ulkopuolella oleva lämmin ilma tiivistyvät.</li></ul>	<ul style="list-style-type: none"><li>• Tämä on normaalia kosteissa ilmastoissa ja tilanne muuttuu, kun kosteusprosentti laskee.</li><li>• Varmista, että ovi/laatikko on suljettu kunnolla.</li></ul>



Ongelma	Mahdollinen syy	Mahdollinen ratkaisu
Pakastinosastossa on paljon jäätä ja huurretta.	<ul style="list-style-type: none"> <li>Tuotteita ei ole pakattu asianmukaisesti.</li> <li>Laitteen laatikko tai ovi ei ole tiiviisti kiinni.</li> <li>Ovea/laatikkoa on avattu liian usein tai liian pitkään.</li> <li>Oven/laatikon tiiviste on likainen, kulunut, haljennut tai yhteensopimaton.</li> <li>Jokin sisäpuolella estää ovea/laatikkoa sulkeutumasta kunnolla.</li> </ul>	<ul style="list-style-type: none"> <li>Pakkaa aina kaikki tuotteet huolellisesti.</li> <li>Sulje ovi/laatikko.</li> <li>Älä avaa ovea/laatikkoa liian usein.</li> <li>Puhdista oven/laatikon tiiviste tai vaihda se uuteen.</li> <li>Aseta hyllyt, ovitelineet tai sisäiset laatikot uudelleen, jotta ovi/laatikko sulkeutuu.</li> </ul>
Kaapin ja oviliuskan sivut lämpenevät.	<ul style="list-style-type: none"> <li>-</li> </ul>	<ul style="list-style-type: none"> <li>Tämä on normaalia.</li> </ul>
Laite pitää epänormaalia ääntä.	<ul style="list-style-type: none"> <li>Laite ei sijaitse tasaisella lattialla.</li> <li>Laite koskettaa jotain sen ympärillä olevaa esinettä.</li> </ul>	<ul style="list-style-type: none"> <li>Säädä jalat jotta laite on vaakatasossa.</li> <li>Poista esineet laitteen ympäriltä.</li> </ul>
Kuuluu hiljaista ääntä, joka muistuttaa virtaavaa vettä.	<ul style="list-style-type: none"> <li>-</li> </ul>	<ul style="list-style-type: none"> <li>Tämä on normaalia.</li> </ul>
Kuulet hälytysäänen.	<ul style="list-style-type: none"> <li>Jääkaapin säilytysosaston ovi on auki.</li> </ul>	<ul style="list-style-type: none"> <li>Sulje ovi.</li> </ul>
Kuulet heikkoa huminaa.	<ul style="list-style-type: none"> <li>Antikondensoiva järjestelmä on toiminnassa.</li> </ul>	<ul style="list-style-type: none"> <li>Tämä ehkäisee kondensoitumista ja on normaalia.</li> </ul>
Sisävalaistus tai jäähdytysjärjestelmä ei toimi.	<ul style="list-style-type: none"> <li>Pistoke ei ole liitetty seinäpistorasiaan.</li> <li>Virtalähde ei ole ehjä.</li> <li>LED-lamppu on rikki.</li> </ul>	<ul style="list-style-type: none"> <li>Liitä pistoke seinäpistorasiaan.</li> <li>Tarkista huoneen sähkönsyöttö. Soita paikalliseen sähköyhtiöön!</li> <li>Ota yhteyttä huoltoon lampun vaihtamiseksi.</li> </ul>
Vesi vuotaa tai tippuu annostelijan nokasta.	<ul style="list-style-type: none"> <li>Vesisäiliötä ei ole asennettu oikein.</li> <li>Vedenannostelulaitteen nokkaa ei ole ruuvattu tiukasti säiliöön.</li> <li>Valkoinen silikonista valmistettu O-rengas puuttuu annostelijan nokasta.</li> </ul>	<ul style="list-style-type: none"> <li>Aseta vesisäiliö jääkaapin oveen uudelleen ja varmista, että työnät sen täysin oven sisään.</li> <li>Nokka on ruuvattu tiukasti kiinni vesisäiliöön.</li> <li>Tarkista, että nokassa on valkoinen silikoninen O-rengas säiliön päässä ennen nokan asentamista vesisäiliöön.</li> </ul>



Voit ottaa yhteyttä tekniseen tukeen siirtymällä Internet-sivustollemme osoitteeseen <https://corporate.haier-europe.com/en/>.

Valitse websites-kohdassa tuotemerkkisi ja maasi. Siirryt sivulle, josta löydät puhelinnumeron ja lomakkeen, jonka täyttämällä voit pyytää teknistä tukea.

## Sähkökatkos

Sähkökatkoksen sattuessa ruoan pitäisi pysyä turvallisen kylmänä noin 5 tuntia. Noudata seuraavia ohjeita erityisesti kesäaikaan, mikäli sähkökatkos kestää kauan:

- ▶ Vältä oven/laatikon avaamista.
- ▶ Älä laita laitteeseen uusia elintarvikkeita sähkökatkoksen aikana.
- ▶ Jos sähkökatkoksesta ilmoitetaan etukäteen ja keskeytyksen kesto on yli 5 tuntia, tee jäätä ja laita se jääkaapin yläosassa olevaan astiaan.
- ▶ Elintarvikkeet on tarkastettava välittömästi sähkökatkoksen loputtua.
- ▶ Koska lämpötila jääkaapissa nousee sähkökatkoksen tai muun häiriön aikana, elintarvikkeiden säilytysaika pienenee ja laatu kärsii. Kaikki sulaneet elintarvikkeet tulisi terveystarvikkeiden välttämiseksi joko syödä tai kypsentää kuumentamalla ja pakastaa uudelleen (mikäli mahdollista) pikaisesti.



### HUOMAUTUS:

#### Muistitoiminto sähkökatkoksen aikana

Kun sähkövirta on palautunut, laite jatkaa ennen sähkökatkoa voimassa olleilla asetuksilla.

## Purkaminen pakkauksesta



### VAROITUS!

- ▶ Laitte on painava. Sen käsittelyyn tarvitaan aina vähintään kaksi henkilöä.
- ▶ Pidä kaikki pakkausmateriaalit poissa lasten ulottuvilta ja hävitä ne ympäristöystävällisesti.
- ▶ Ota laite pois pakkauksesta.
- ▶ Poista kaikki pakkausmateriaalit.

## Ympäristön olosuhteet

Huoneen lämpötilan tulisi aina olla 10–43° C, koska huoneen lämpötila voi vaikuttaa laitteen sisälämpötilaan ja sen energiankulutukseen. Älä asenna laitetta lähelle muita lämpöä tuottavia laitteita (uunit, jääkaapit) ilman asianmukaista lämmöneristystä.

- Laajennettu lauhkea (SN): kylmälaite toimii suunnitellusti, kun ympäristön lämpötila on 10–32 °C.
- Lauhkea (N): kylmälaite toimii suunnitellusti, kun ympäristön lämpötila on 16–32 °C.
- Subtrooppinen (ST): kylmälaite toimii suunnitellusti, kun ympäristön lämpötila on 16–38 °C.

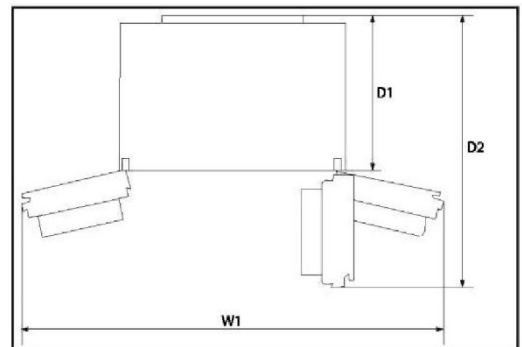
## Tilantarve

Tarvittava tila ovea avattaessa:

W1=157,8 cm

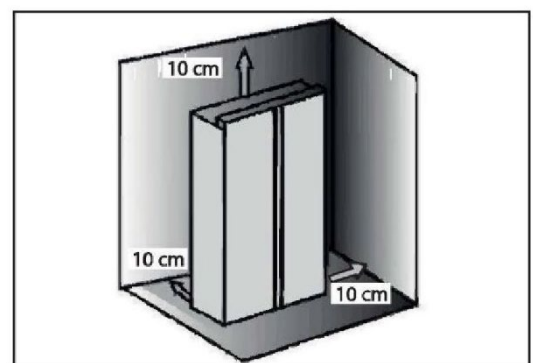
D1=62,9 cm

D2=117,5 cm



## Tuuletusaukon poikkileikkaus

Laitteen turvallisuussyistä riittävän ilmanvaihdon aikaansaamiseksi on noudatettava vaadittujen ilmanvaihdon poikkileikkausten tietoja.

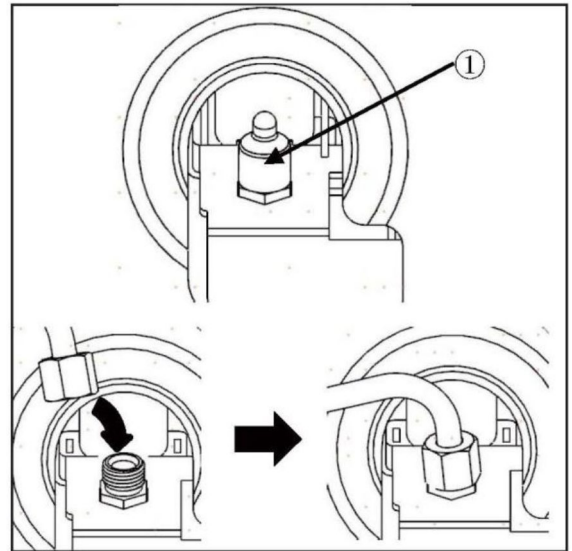


### HUOMAUTUS

Vapaasti seisova laite: tämä kylmälaite on tarkoitettu käytettäväksi vapaasti seisovana laitteena eikä sitä saa käyttää sisäänrakennetun mallin tavoin.

## Veden kytkeminen laitteeseen

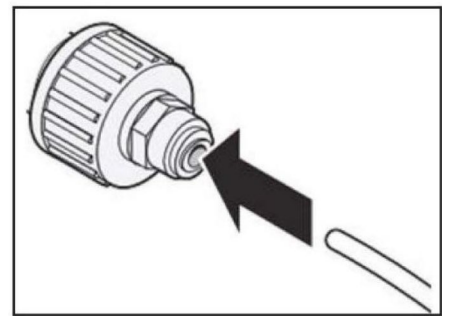
1. Irrota kumitulppa (1) veden imuventtiilistä.
2. Työnnä vesiputki tiukasti veden imuventtiiliin ja kiristä kauluksen mutteri. Tämä vesiputki on leikattava keskeltä ja käytettävä sitten asennukseen. Toinen osa on varaosa.



## Vesihanaan kytkeminen

Tämä ominaisuus on käytettävissä vain joissakin malleissa.

1. Työnnä vesiputki lisävarusteiden mukana toimitetun hanaliitännän reikään. Putkea on pidettävä tiukasti kiinni, kun liitin työnnetään putkeen.
  2. Varmista, että kumilevy on kiinnitetty hanaliittimen sisäpuolelle, ennen kuin ruuvaat sen hanaan.
- Erillinen liitin tai sovitin voi olla tarpeen ostaa, jos hanan liitin ei vastaa mukana toimitetun liittimen kierteen kokoa.



## Vesiliitännän tarkistaminen

Tämä ominaisuus on käytettävissä vain joissakin malleissa.

- Kytke vedenjakelu päälle ja kytke laite päälle. Tarkasta kaikki liittimet huolellisesti mahdollisten huonosti kiinnitettyjen letkujen aiheuttamien vuotojen varalta.
- Paina ja pidä painettuna 3Sec. Filter Reset-painiketta eli suodattimen nollauspainiketta kolmen sekunnin ajan. Uusi vesisuodatin on aktivoitu.
- Aseta kuppi vesiansostelijan alle ja varmista, että vesi virtaa laitteen läpi.
- Tarkista liitännät letku ja liitokset vuotojen varalta uudelleen.



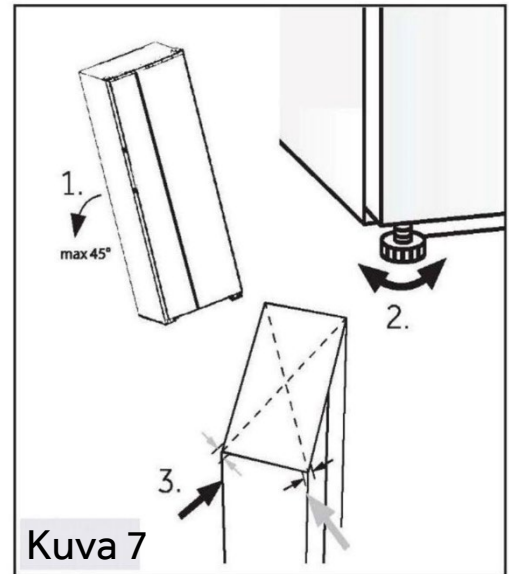
## VAROITUS!

- ▶ Varmista, että liitännät ovat aina kiinteitä, kuivia ja vuotamattomia.
- ▶ Varmista, ettei letku ole koskaan puristuksissa, taivutettuna tai vääntyneenä.

### Laitteen sijoittaminen

Laite tulee sijoittaa tasaiselle ja tukevalle alustalle.

1. Kallista laitetta hieman taaksepäin (kuva 7).
2. Aseta jalat halutulle tasolle. Varmista, että etäisyys seinään on saranapuolella vähintään 10 cm.
3. Voit tarkistaa, miten tukevasti laite seisoo, heiluttamalla sitä kulmista. Kodinkoneen tulisi heilahdella lievästi ja samalla tavalla kumpaakin suuntaan. Muussa tapauksessa runko voi vääntyä ja tämä voi johtaa ovitiivisteiden vuotamiseen. Erittäin pieni takanoja helpottaa ovien sulkeutumista.

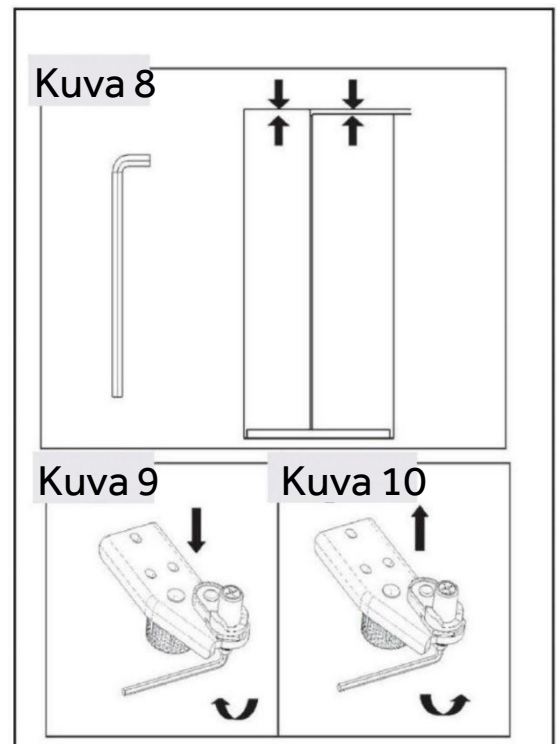


### Ovien hienosäätö

Jos ovet eivät vielä ole samassa tasossa sen jälkeen, kun ovet on tasoitettu jaloilla, voit korjata asian kääntämällä saranan nostoakselia jääkaapin oven oikeassa alakulmassa jakoavaimella (kuva 8).

Laske ovea alemmaksi kääntämällä nostoakselia jakoavaimella myötapäivään (kuva 9).

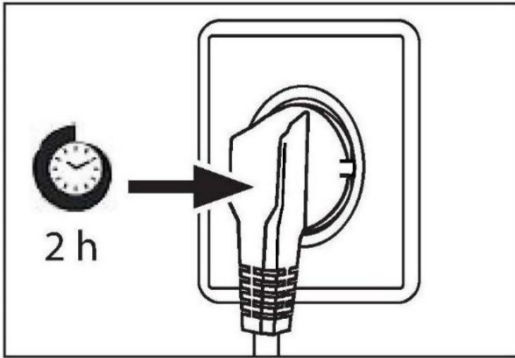
Voit nostaa ovea korkeammalle kääntämällä nostoakselia vastapäivään (kuva 10).





## VAROITUS!

Älä säädä saranan nostoakselia liikaa sellaiseen korkeuteen, että akseli ei ehkä enää ole alkuperäisessä lukitussa asennossa. (Säädettävä korkeusalue: 3 mm)



### Odotusaika

Huoltovapaa voiteluöljy sijaitsee kompressorin kapselissa. Tämä öljy voi päästä suljetun putkijärjestelmän läpi kuljetuksen aikana, jos laite on kaltevassa asennossa. Ennen kuin kytket laitteen virtalähteeseen, sinun on odotettava vähintään 2 tuntia, jotta öljy kulkeutuu takaisin kapseliin.

### Sähköliitäntä

#### Tarkista ennen jokaista liitäntää seuraavat seikat:

- ▶ sähkövirta, pistorasia ja sulakkeet ovat laitteen arvokilven mukaiset
- ▶ pistorasia on maadoitettu eikä monipistoketta tai jatkojohtoja käytetä
- ▶ pistorasia ja pistorasia ovat tarkasti teknisten määräysten mukaiset.

Liitä pistoke oikein asennettuun kotitalouskäyttöön tarkoitettuun pistorasiaan.



## VAROITUS!

Vaarojen välttämiseksi asiakaspalvelun on vaihdettava vaurioitunut virtajohto (katso takuukortti).

### Ovien irrottaminen ja asentaminen

Jos joudut irrottamaan laitteen ovet, noudata alla olevia ovien irrotus- ja asennusohjeita.

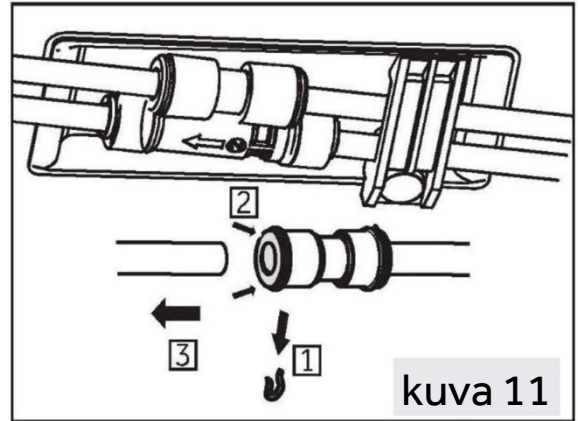


## VAROITUS!

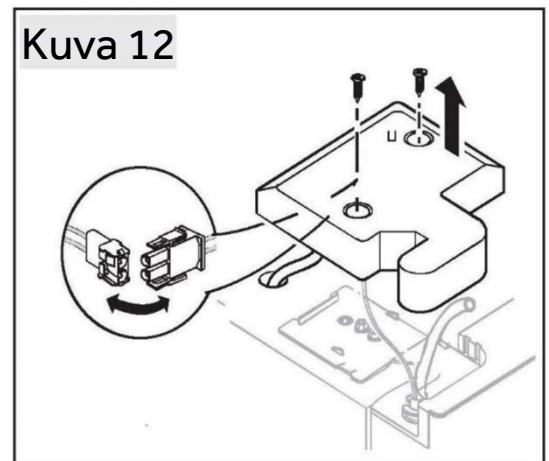
- ▶ Kytke laite pois päältä ja irrota verkkopistoke verkkopistorasiasta ennen mitään toimia.
- ▶ Sulje veden syöttöventtiili.
- ▶ Laite on painava. Sen käsittelyyn tarvitaan aina vähintään kaksi henkilöä.
- ▶ Älä kallista laitetta enempää kuin 45 tai aseta sitä vaakasuoraan maahan.
- ▶ Ovi voi avautua ja vahingoittaa ihmisiä. Myös ovi voi vahingoittua näiden vaiheiden aikana. Poista ovet ja asenna ne takaisin paikoilleen erittäin varovaisesti.



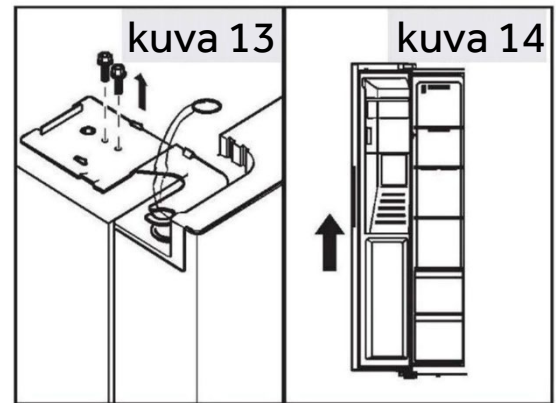
1. Vapauta kahden vesiliittimen vasen puoli laitteen vasemmasta etukulmasta laitteen takaa: paina ja pidä kaulusta kuvan osoittamalla tavalla ja irrota vesiputki. (kuva 11)



2. Avaa saranakannen ruuvi ja irrota kansi (kuva 12). Kun irrotat pakastimen oven, irrota kaikki johdot maadoitusjohtoa lukuun ottamatta.



3. Avaa ruuvit, jotka pitävät ylempää saranaa paikallaan, ja irrota sitten sarana (kuva 13).
4. Poista ovi nostamalla (kuva 14). Kun irrotat pakastimen oven, nosta sitä niin korkealle, että saat vedettyä vesiliitännän ulos laitteen pohjasta.
5. Asenna ovi tekemällä irrotusvaiheessa tehdyt toimenpiteet päinvastaisessa järjestyksessä. Varmista, että maadoituskaapeli kiinnitetään ruuvilla.
6. Asenna vesiliitäntä uudelleen.



## HUOMAUTUS: Jääkaapin ovi

Kuvissa näkyy pakastimen oven irrottaminen. Jääkaapin ovea varten käytä vastaavia osia toisella puolella.



Tuoteseloste asetuksen EU No. 2019/2016 mukaisesti

Tuotemerkki	Haier
Mallin nimi / tunniste	HSW59F18DIMM HSW79F18DIPT
Mallin luokka	Jääkaappi-pakastin
Energiatehokkuusluokka	D
Vuotuinen energiankulutus (kWh/vuosi) <sup>(1)</sup>	267
Kokonaistilavuus (l)	601
Tilavuus, jääkaappi (l)	391
Tilavuus, pakastin (l)	206
Tilavuus jääsäilytysastia (2-tähteä) (l)	4
Tähtiluokitus	
Muiden osastojen lämpötila >14 °C	Ei sovellettavissa
Huurteeton järjestelmä	Kyllä
Pakastuskapasiteetti (kg / 24 h)	10
Ilmastoluokitus <sup>(2)</sup>	SN-N-ST
Melupäästöluokka ja äänitaso ilmassa (dB(A) re 1pW)	C(36)
Lämpötilan nousuaika (h)	5
Jäänvalmistuskapasiteetti	0,8 kg / 24 h
Laitetyyppi	vapaasti seisova



## Selitykset:

- Kyllä, mukana
- (1) Perustuu standardien mukaisuustestin tuloksiin 24 tunnin ajalta. Todellinen kulutus riippuu laitteen käytöstä ja sijainnista.
- (2) Ilmastoluokitus SN: Tämä laite on tarkoitettu käytettäväksi ympäristön lämpötilassa + 10 °C – +32 °C  
 Ilmastoluokitus N: Tämä laite on tarkoitettu käytettäväksi ympäristön lämpötilassa +16 °C – +32 °C  
 Ilmastoluokitus ST: Tämä laite on tarkoitettu käytettäväksi ympäristön lämpötilassa +16 °C – +38 °C

## Tekniset lisätiedot

Jännite / taajuus	220–240 V ~ / 50 Hz
Tulovirta (A)	1,8
Sulatuksen ottoteho (W)	220
Pääsulake (A)	15
Jäähdytysneste	R600a
Mitat (K/L/S, mm)	1775/905/726



Suosittellemme Haierin asiakaspalvelua ja alkuperäisten varaosien käyttöä.  
Jos sinulla on ongelmia laitteen kanssa, tarkista ensin osio VIANMÄÄRITYS.

Jos et löydä ratkaisua, ota yhteyttä

- ▶ paikalliseen jälleenmyyjän tai
- ▶ eurooppalaiseen puhelinpalvelukeskukseen (katso alla olevat puhelinnumerot) tai
- ▶ Haieriin siirtymällä Internet-osoitteessa [www.haier.com](http://www.haier.com) kohtaan Service & Support,
- ▶ jossa voit aktivoida palvelupyynnön ja tutustua usein kysytyihin kysymyksiin.

Jos haluat ottaa yhteyttä palveluumme, varmista, että sinulla on seuraavat tiedot saatavilla.  
Tiedot löytyvät arvokilvestä.

Malli \_\_\_\_\_

Sarjanumero \_\_\_\_\_

Tarkista myös tuotteen mukana toimitettu takuukortti takuun varalta.

Eurooppalainen puhelinpalvelukeskus		
Maa*	Puhelinnumero	Kustannukset
Haier Italy (IT)	199 100912	
Haier Spain (ES)	902 509 123	
Haier Germany (DE)	0180539 39 99	<ul style="list-style-type: none"><li>• 14 snt/min lankapuhelin</li><li>• maks. 42 snt/min matkapuhelin</li></ul>
Haier Austria (AT)	0820 001 205	<ul style="list-style-type: none"><li>• 14,53 snt/min lankapuhelin</li><li>• maks. 20 snt/min kaikki muut</li></ul>
Haier United Kingdom (UK)	0333 003 8122	
Haier France (FR)	0980 406 409	



\* Muiden maiden osalta katso [www.haier.com](http://www.haier.com)  
Haier Europe Trading S.r.l  
Branch UK  
Westgate House, Westgate, Ealing  
London, W5 1YY

\* Kylmälaitteen takuun kesto:

Vähimmäistakuu on: 2 vuotta EU-maissa, 3 vuotta Turkissa, 1 vuosi Isossa-Britanniassa, 1 vuosi Venäjällä, 3 vuotta Ruotsissa, 2 vuotta Serbiassa, 5 vuotta Norjassa, 1 vuosi Marokossa, 6 kuukautta Algeriassa, Tunisia ei vaadi lakisääteistä takuuta.

\* Varaosien saatavuus laitteen korjausta varten:

Termostaatteja, lämpötilan tunnistimia, painettuja piirilevyjä ja valonlähteitä on saatavilla varaosina vähintään 7 vuoden ajan sen jälkeen, kun kyseisen mallin viimeinen kappale on tullut myyntiin.

Ovien kädensijat, ovien saranat, alustat ja korit ovat saatavina varaosina vähintään 7 vuoden ajan ja ovitiivisteet vähintään 10 vuoden ajan sen jälkeen, kun kyseisen mallin viimeinen kappale on tullut myyntiin.

\*Lisätietoa tuotteesta saa osoitteesta <https://eprel.ec.europa.eu/> tai skannaamalla laitteen energiamerkissä olevan QR-koodin.





Saugos informacija.....	490
Numatytoji paskirtis.....	495
Gaminio aprašymas.....	496
Valdymo skydelis.....	497
Naudojimas.....	498
Įranga.....	511
Priežiūra ir valymas.....	513
Trikčių šalinimas.....	518
Įrengimas.....	522
Techniniai duomenys.....	527
Klientų aptarnavimas.....	529



## Dėkojame, kad įsigijote „Haier“ gaminį.

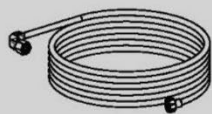
Prieš naudodami šį prietaisą, atidžiai perskaitykite šias instrukcijas. Instrukcijose yra svarbios informacijos, kuri padės geriausiai naudotis prietaisu ir užtikrinti saugų ir tinkamą jo įrengimą, eksploatavimą ir priežiūrą.

Laikykite šį vadovą patogioje vietoje, kad visada galėtumėte juo vadovautis ir saugiai bei tinkamai naudoti prietaisą.

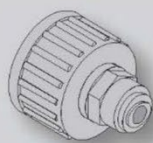
Jei prietaisą parduodate, atiduodate arba paliekate persikeldami į kitą būstą, taip pat turite perduoti šį vadovą, kad naujasis savininkas galėtų susipažinti su prietaisu ir saugos įspėjimais.

## Priedai

Patikrinkite priedus ir literatūrą pagal šį sąrašą:



\*Vandens vamzdelis



\*Vandens jungtis



Energijos efektyvumo etiketė



Garantijos kortelė



Trumpasis vadovas





## ĮSPĖJIMAS – svarbi saugos informacija



## PRANEŠIMAS – bendroji informacija ir patarimai



## Aplinkosaugos informacija



### Utilizavimas

Padėkite apsaugoti aplinką ir žmonių sveikatą. Išmeskite pakuotę į atitinkamus kontenerius skirtus perdirbimui. Padėkite perdirbti elektros ir elektronikos prietaisų atliekas. Neišmeskite šiuo simboliu pažymėtų prietaisų su buitinėmis atliekomis. Gražinkite gaminį į vietos perdirbimo įmonę arba kreipkitės į savivaldybės biurą.



## ĮSPĖJIMAS!

Traumos arba uždusimo pavojus!

Šaldalai ir dujos turi būti utilizuojami profesionaliai. Prieš tinkamai utilizuodami įsitikinkite, kad šaldalo kontūro vamzdeliai nepažeisti. Atjunkite prietaisą nuo maitinimo šaltinio. Nupjaukite maitinimo laidą ir jį išmeskite. Išimkite padėklus ir stalčius, taip pat durelių fiksatorių ir tarpiklius, kad vaikai ir naminiai gyvūnai neužsidarytų prietaise.

## Prieš pirmą kartą įjungdami prietaisą, perskaitykite toliau pateiktus saugos patarimus!



### ĮSPĖJIMAS!

#### Prieš naudodami pirmą kartą

- ▶ Įsitinkite, kad prietaisas nebuvo pažeistas transportuojant.
- ▶ Nuimkite visas pakuotės medžiagas ir laikykite vaikams nepasiekiamoje vietoje.
- ▶ Prieš įrengdami prietaisą palaukite bent dvi valandas, kad įsitikintumėte, jog šaldalo kontūras veikia visiškai tinkamai.
- ▶ Prietaisą perkelti į kitą vietą turi bent du asmenys, nes jis sunkus.

#### Įrengimas

- ▶ Prietaisą reikia pastatyti gerai vėdinamoje vietoje. Užtikrinkite, kad virš prietaiso ir aplink jį būtų bent 10 cm tarpas.
- ▶ Niekada nestatykite prietaiso drėgnoje vietoje ar ten, kur jis galėtų būti aptaškytas vandeniu. Minkšta švaria šluoste nuvalykite ir nusausinkite vandens purslus ir dėmes.
- ▶ Nejrenkite prietaiso tiesioginiuose saulės spinduliuose arba šalia šilumos šaltinių (pvz., viryklių, šildytuvų).
- ▶ Įtaisykite prietaisą jo dydžiui ir naudojimui tinkamoje vietoje.
- ▶ Ventilacijos angos, esančios prietaise arba įmontuotoje konstrukcijoje, turi likti neuždengtos.
- ▶ Įsitinkite, kad techninių duomenų lentelėje pateikta elektros informacija sutampa su maitinimo šaltinio informacija. Jei ne, kreipkitės į elektriką.
- ▶ Prietaisas maitinamas 220–240 V kintamosios srovės, 50 Hz maitinimo šaltiniu. Dėl neįprastų įtampos svyravimų prietaisas gali neįsijungti, taip pat gali sugesti temperatūros reguliatorius ar kompresorius arba veikdamas gali skleisti neįprastą triukšmą. Tokiu atveju reikia įrengti automatinį reguliatorių.
- ▶ Nenaudokite kelių kištukų adapterių ir ilginamųjų kabelių.
- ▶ Už prietaiso nelaikykite kelių nešiojamųjų kištukinių lizdų arba nešiojamųjų maitinimo šaltinių.
- ▶ Įsitinkite, kad maitinimo kabelis nėra užspaustas šaldytuvo. Neužlipkite ant maitinimo kabelio.



## ĮSPĖJIMAS!

- ▶ Energijos tiekimui naudokite atskirą įžemintą lizdą, kuris būtų lengvai pasiekiamas. Prietaisas turi būti įžemintas.  
Taikoma tik JK. Prietaiso maitinimo kabelis turi 3 laidų (įžeminimo) kištuką, kuris tinka standartiniam 3 laidų (įžemintam) lizdui. Nenujaukite ir neišmontuokite trečiojo kaiščio (įžeminimo). Įrengus prietaisą, kištukas turi būti pasiekiamas.
- ▶ Nepažeiskite šaldalo kontūro.

### Kasdienis naudojimas

- ▶ Šį prietaisą gali naudoti vaikai nuo 8 metų ir asmenys, kurių fiziniai, jutiminiai ar protiniai gebėjimai yra riboti arba kurie neturi patirties ir žinių, jei jie prižiūrimi arba jiems duoti nurodymai, kaip saugiai naudoti prietaisą, ir jie supranta su tuo susijusius pavojus.
- ▶ Vaikams nuo 3 iki 8 metų leidžiama sudėti ir išimti maisto produktus į / iš šaldymo prietaisų, bet neleidžiama jų valyti ir įrengti.
- ▶ Neleiskite prie prietaiso artintis vaikams iki 3 metų, jei jie nebus nuolat prižiūrimi.
- ▶ Vaikai negali žaisti su prietaisu.
- ▶ Jei prie prietaiso nuteka akmens anglių dujų ar kitų degių dujų, užsukite čiaupą, iš kurio teka dujos, atidarykite duris, langus, ir neatjunkite šaldytuvo ar kito prietaiso maitinimo kabelio kištuko.
- ▶ Atminkite, kad prietaisas nustatytas veikti esant tam tikram aplinkos temperatūros intervalui nuo 10 °C iki 38 °C. Prietaisas gali veikti netinkamai, jei ilgą laiką paliekamas aukštesnėje arba žemesnėje nei nurodyta temperatūroje.
- ▶ Nedėkite nestabilių daiktų (sunkių daiktų, talpyklų, pripildytų vandens) ant šaldytuvo viršaus, kad nesusižeistumėte jiems nukritus ar nepatirtumėte elektros smūgio, kurį sukelia sąlytis su vandeniu.
- ▶ Netraukite prietaiso paėmę už durelių lentynų. Durelės gali iškrypti, gali iškristi butelių laikiklis arba prietaisas gali apvirsti.
- ▶ Atidarykite ir uždarykite duris tik suėmę už rankenų. Tarpas tarp durelių ir tarp durelių bei korpuso yra labai siauras. Nekiškite rankų į šias vietas, kad neprispaustų pirštų. Atidarykite arba uždarykite šaldytuvo duris tik tada, kai jų judėjimo zonoje nėra vaikų.



### ĮSPĖJIMAS!

- ▶ Nelaikykite ir nenaudokite degių, sprogių ar ėsdinančių medžiagų prietaise ar šalia jo.
- ▶ Taip pat prietaise nelaikykite vaistų, bakterijų ar cheminių medžiagų. Šis prietaisas yra buitinis. Nerekomenduojama jame laikyti medžiagų, kurioms reikia tikslaus temperatūros valdymo.
- ▶ Šaldiklyje niekada nelaikykite skysčių buteliuose ar skardinėse (išskyrus stipriuosius alkoholinius gėrimus), ypač gazuotų gėrimų, nes užšalę jie gali sprogti.
- ▶ Patikrinkite maisto būklę, jei šaldiklis atšilo.
- ▶ Šaldytuvo skyriuje be reikalo nenustatykite itin žemos temperatūros. Nustačius dideles vertes, temperatūra gali nukristi žemiau nulio. Dėmesio: buteliai gali sprogti.
- ▶ Nelieskite užšaldytų produktų drėgnomis rankomis (mūvėkite pirštines). Nevalgykite ką tik iš šaldiklio išimtų ledų. Galite nušalti odą arba gali atsirasti šalčio pūslelių. PIRMOJI pagalba: nedelsiant pakišti po šaltu vandeniu. Neplėšti!
- ▶ Prietaisui veikiant nelieskite šaldiklio kameros vidinio paviršiaus, ypač šlapiomis rankomis, nes rankos gali prišalti prie paviršiaus.
- ▶ Nutrūkus elektros tiekimui arba prieš valydami atjunkite prietaisą nuo elektros tinklo. Prieš įjungdami prietaisą palaukite bent 7 minutes, nes dažnai įjungiant gali sugesti kompresorius.
- ▶ Nenaudokite elektros įrenginių šio prietaiso maisto skyriuose, nebent jie atitinka gamintojo rekomendaciją. Priežiūra / valymas
- ▶ Vaikai, atliekantys prietaiso valymą ir priežiūrą, turi būti prižiūrimi.
- ▶ Prieš atlikdami bet kokius įprastus priežiūros darbus atjunkite prietaisą nuo elektros tinklo. Prieš įjungdami prietaisą palaukite bent 5 minutes, nes dažnai įjungiant gali sugesti kompresorius.

**ĮSPĖJIMAS!**

- ▶ Atjungdami prietaisą suimkite kištuką, o ne kabelį.
- ▶ Prietaiso nevalykite kietais šepečiais, vieliniais šepečiais, skalbimo milteliais, benzinu, amilacetatu, acetonu ir panašiais organiniais tirpalais, taip pat rūgštiniais arba šarminiais tirpalais. Kad išvengtumėte pažeidimų, valykite specialiu šaldytuvo plovikliu.
- ▶ Negrandykite prišalusio ledo aštriais daiktais. Nenaudokite purškalo, elektrinių šildytuvų, pvz., šildytuvo, plaukų džiovintuvo, garinių valytuvų ar kitų šilumos šaltinių, kad nesugadintumėte plastikinių dalių.
- ▶ Nenaudokite mechaninių įtaisų ar kitų priemonių atitirpinimo procesui greitinti, išskyrus gamintojo rekomenduojamas priemones.
- ▶ Jei maitinimo laidas pažeistas, jį turi pakeisti gamintojas, jo techninės priežiūros atstovas arba panašios kvalifikacijos asmenys, kad būtų išvengta pavojaus.
- ▶ Nemėginkite patys taisyti, ardyti ar modifikuoti prietaiso. Jei reikia remonto, kreipkitės į mūsų klientų aptarnavimo tarnybą.
- ▶ Pašalinkite dulkes nuo įrenginio galinės dalies bent kartą per metus, kad išvengtumėte gaisro pavojaus ir būtų našiau vartojama energija.
- ▶ Valydami ant prietaiso nepurškite ir nepilkite skysčių.
- ▶ Prietaisui valyti nenaudokite vandens purkštuvų ar garų.
- ▶ Nevalykite šaltų stiklo lentynų karštu vandeniu. Dėl staigaus temperatūros pokyčio stiklas gali suskilti.

**Informacija apie šaldalo dujas****ĮSPĖJIMAS!**

Prietaise yra degiojo šaldalo IZOBUTANO (R600a). Patikrinkite, ar šaldalo kontūras nebuvo pažeistas prietaisą transportuojant ar įrengiant. Nutekėjęs šaldalas gali sužaloti akis arba užsidegti. Jei prietaisas buvo pažeistas, laikykite jį toliau nuo atviros ugnies šaltinių, kruopščiai vėdinkite patalpą, neprijunkite ir neatjunkite šio ar bet kokio kito prietaiso maitinimo laidų. Praneškite klientų aptarnavimo skyriui.

Šaldalo patekus į akis, tuoj pat plaukite jas tekančiu vandeniu ir nedelsdami kreipkitės į akių gydytoją.



### Numatytoji paskirtis

Šis prietaisas skirtas maisto produktams vėsinti ir užšaldyti. Jis skirtas naudoti tik buityje ir panašiose srityse, pavyzdžiui, parduotuvių, biurų ir kitų darbo vietų virtuvėse, ūkiuose, viešbučiuose, moteliuose ir kitose gyvenamosiose patalpose, taip pat nakvynės ir pusryčių bei maitinimo įstaigose. Jis nėra skirtas komerciniam ar pramoniniam naudojimui.

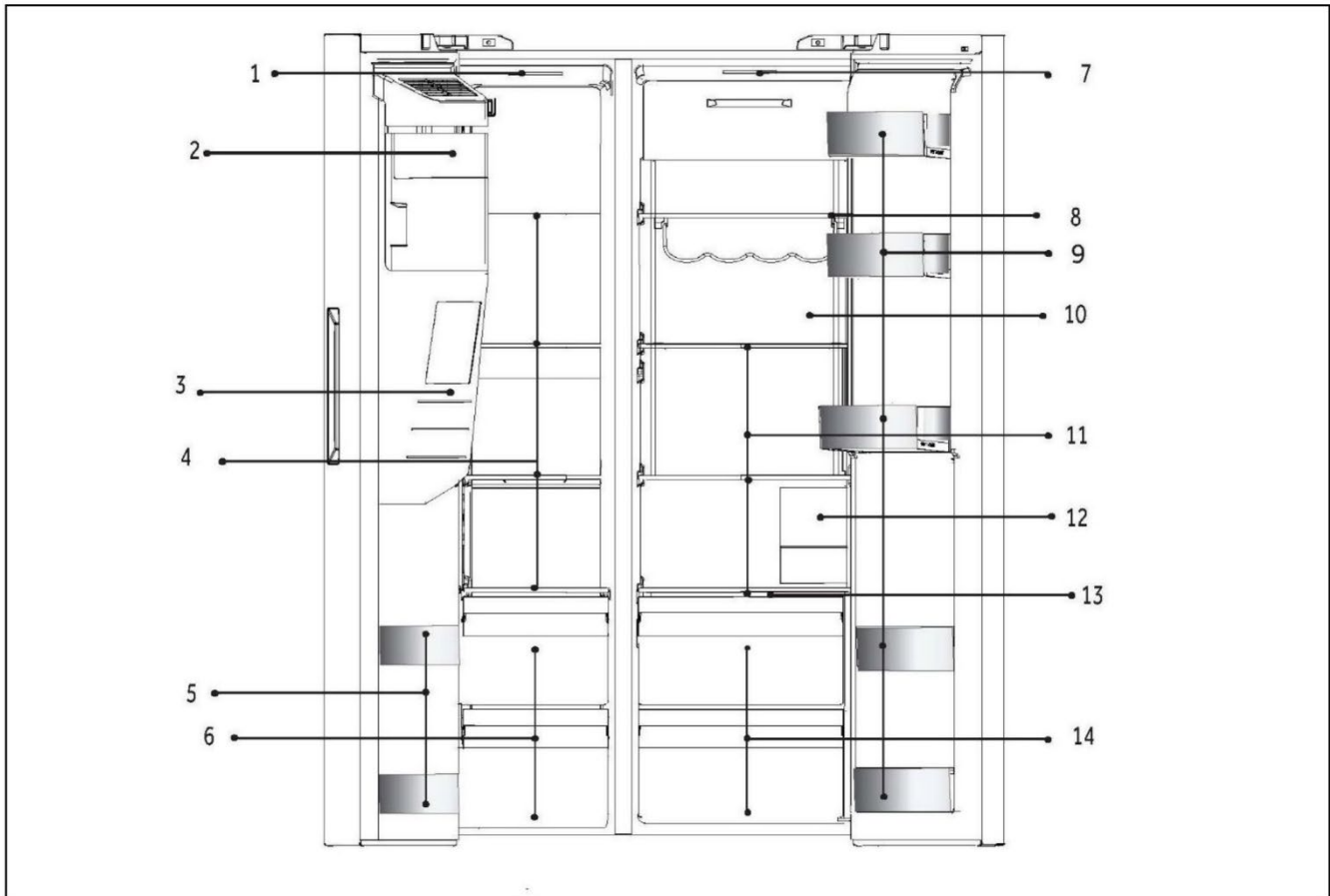
Įrenginį keisti ar modifikuoti draudžiama. Naudojant ne pagal paskirtį, įrenginys gali kelti pavojų ir garantija nebegalios.

### Standartai ir direktyvos ir

Šis gaminys atitinka visų taikomų EB direktyvų ir atitinkamų darnųjų standartų bei JK standartų, skirtų CE ir UKCA ženklavimui, reikalavimus.

## **i** Pastaba

Dėl techninių pakeitimų ir skirtingų modelių kai kurios šio vadovo iliustracijos gali skirtis nuo jūsų modelio.



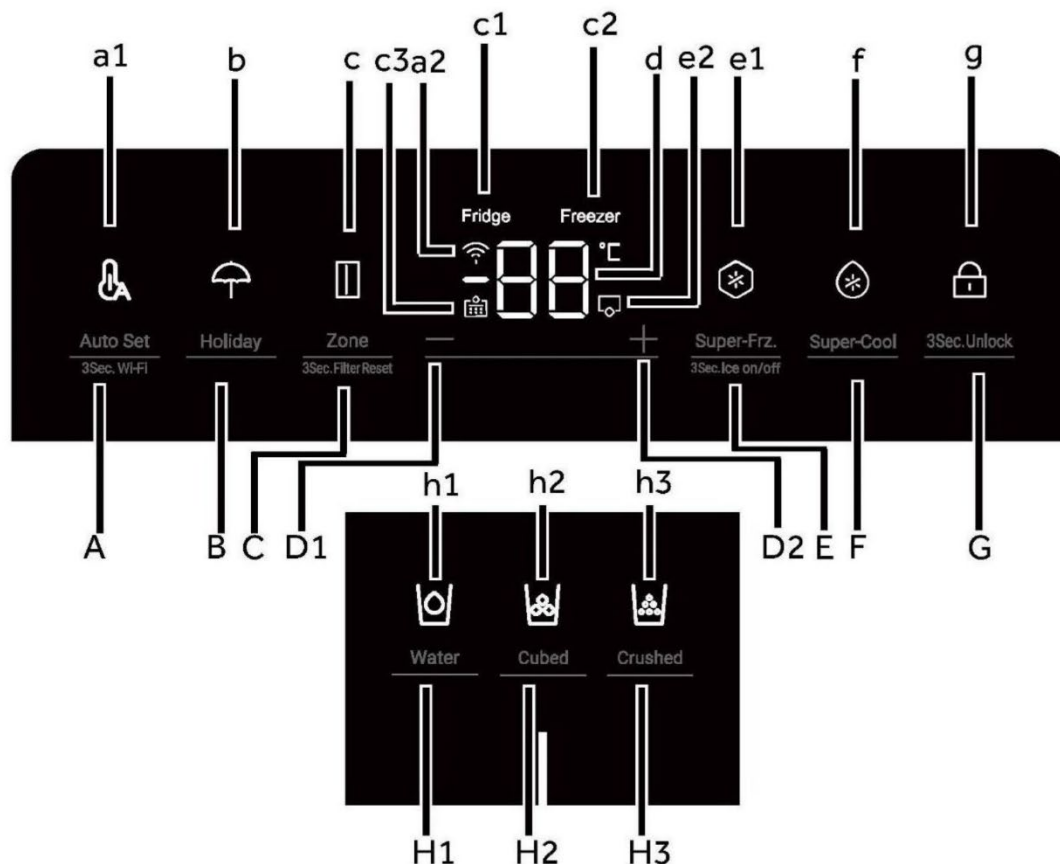
### A: Šaldiklio skyrius

- 1 Lubinė lemputė
- 2 Ledukų gaminimo aparatas su ledukų indeliu
- 3 Vandens ir ledo dozatorius
- 4 Stiklinės lentynos
- 5 Butelių laikiklis
- 6 Stalčiai

### B: Šaldytuvo skyrius

- 7 Lubinė lemputė
- 8 Vyno butelių laikiklis
- 9 Butelių laikiklis
- 10 Galinė lemputė (HSW79F18DIPT)
- 11 Stiklinės lentynos
- 12 Vandens filtras
- 13 Drėgnosios zonos dengiamoji plokštė
- 14 Stalčiai

## Valdymo skydelis



## Klavišai:

- A Automatinio nustatymo funkcija „Auto Set“ / 3 sek. Wi-Fi
- B Atostogų funkcija „Holiday“
- C Zonos pasirinkimas / „3Sec. Filter Reset“
- D1 Temperatūros reguliavimo mygtukas „-“
- D2 Temperatūros reguliavimo mygtukas „+“
- E Intensyvaus šaldymo funkcijos „Super Freeze“ / „3Sec. Ice“ įjungimas / išjungimas
- F Intensyvaus vėsinimo funkcija „Super-Cool“
- G Skydelio užrakto parinkiklis
- H1 Vandens įsiurbimo funkcijos parinkiklis
- H2 Ledo kubelių funkcijos parinkiklis
- H3 Smulkinto ledo funkcijos parinkiklis

## Indikatoriai:

- a1 Automatinio nustatymo režimas „Auto Set“
- a2 „Wi-Fi“ funkcija
- b Atostogų režimas „Holiday“
- c Zonos indikatorius
- c1 Šaldytuvo indikatorius
- c2 Šaldiklio indikatorius
- c3 Filtro pakeitimo funkcija
- d Temperatūros rodyklė
- e1 Intensyvaus šaldymo režimas „Super-Freeze“
- e2 Ledukų gaminimo režimas
- f Intensyvaus vėsinimo režimas „Super-Cool“
- g Skydelio užraktas
- h1 Vandens įsiurbimo funkcija
- h2 Ledo kubelių funkcija
- h3 Smulkinto ledo funkcija





### Prieš naudojant pirmą kartą

- ▶ Nuimkite visas pakavimo medžiagas, laikykite jas vaikams nepasiekiamoje vietoje ir išmeskite aplinkai nekenksmingu būdu.
- ▶ Prieš dėdami bet kokius maisto produktus į prietaisą, išvalykite jo vidų ir išorę vandeniu ir švelniu plovikliu.
- ▶ Lygiai pastatę ir išvalę prietaisą, palaukite bent 2–5 valandas ir tik tada prijunkite jį prie maitinimo šaltinio. Žr. skyrių ĮRENGIMAS.
- ▶ Prieš sudėdami maisto produktus, iš anksto atvėsinkite šaldytuvo skyrius naudodami aukštus nustatymus. Intensyvaus šaldymo funkcija „Power-Freeze“ padeda greitai atvėsinti skyrius.
- ▶ Šaldytuvo ir šaldiklio skyrių temperatūra automatiškai nustatoma atitinkamai į 5 °C ir –18 °C. Tai yra rekomenduojami nustatymai. Jei norite, galite pakeisti šias temperatūras rankiniu būdu. Žr. skyrių TEMPERATŪROS REGULIAVIMAS.

### Jutikliniai klavišai

Valdymo skydelio mygtukai yra jutikliniai klavišai, kurie sureaguoja lengvai prilietus pirštu.

### Prietaiso įjungimas / išjungimas

Prietaisas pradeda veikti iš karto, kai yra prijungiamas prie maitinimo šaltinio.

Rodoma temperatūra parodys nustatytą temperatūrą skyriuje.

Gali būti, kad aktyvus skydelio užraktas.



### Pastaba

Kai prietaisas įjungiamas po atjungimo nuo pagrindinio maitinimo šaltinio, gali prireikti iki 12 valandų, kol bus pasiekta tinkama temperatūra.

Prieš išjungdami prietaisą jį ištuštinkite. Norėdami išjungti prietaisą, ištraukite maitinimo laidą iš elektros lizdo.

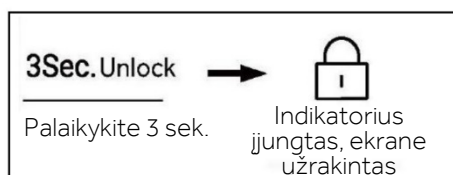


### PASTABA

Įjungus šaldytuvą pirmą kartą, įsižiebia indikatorius. Šaldytuvo ir šaldiklio temperatūra automatiškai nustatoma atitinkamai į 5 °C ir -18 °C.

## Skydelio užrakinimas / atrakinimas

1. Automatinis užraktas: kai šaldytuvo durelės, šaldiklio durelės uždaromos ir per 30 sekundžių nepaspaudžiamas joks klavišas, ekranas automatiškai užgęsta ir užsirakina



2. Rankinis užraktas: kai ekranas atrakintas, paspauskite mygtuką „G“ (skydelio užrakto parinkiklis) ir palaikykite 3 sekundes. Vieną kartą suskambės skambutis, įsižiebs indikatorius „g“ (skydelio užraktas) ir ekranas bus užrakintas.



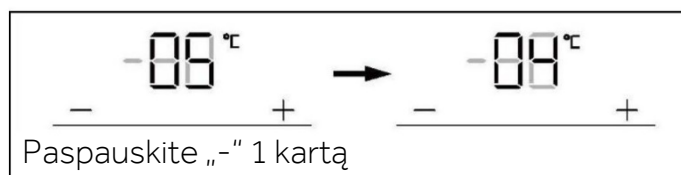
## Temperatūros reguliavimas

Prietaiso vidaus temperatūrai įtakos turi šie veiksniai:

- ▶ aplinkos temperatūra;
- ▶ durelių atidarymo dažnis;
- ▶ laikomų maisto produktų kiekis;
- ▶ prietaiso įrengimas.

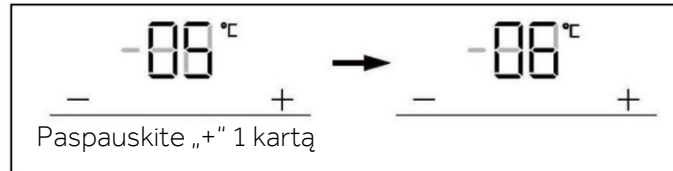
## Šaldytuvo temperatūros reguliavimas

1. Kai ekranas atrakintas, paspauskite mygtuką „C“ (srities parinkiklis). Skambutis suskamba vieną kartą, indikatorius „c1“ (šaldytuvo indikatorius) mirksi, o tada įsijungia šaldytuvo temperatūros nustatymo režimas.
2. Kiekvieną kartą paspaudus mygtuką „D1“ (temperatūros reguliavimo mygtukas „-“), skambutis suskamba vieną kartą ir nustatyta šaldytuvo temperatūra sumažinama 1 laipsniu. Šaldytuvo temperatūra bus rodoma tokia seka: „9 °C > 8 °C > 7 °C > 6 °C > 5 °C > 4 °C > 3 °C > 2 °C > 1 °C“.



### Šaldytuvo temperatūros reguliavimas

- Kiekvieną kartą paspaudus mygtuką „D2“ (temperatūros reguliavimo mygtukas „+“), skambutis suskamba vieną kartą ir nustatyta šaldytuvo temperatūra padidinama 1 laipsniu. Šaldytuvo temperatūra bus rodoma tokia seka: „1 °C > 2 °C > 3 °C > 4 °C > 5 °C > 6 °C > 7 °C > 8 °C > 9 °C“.

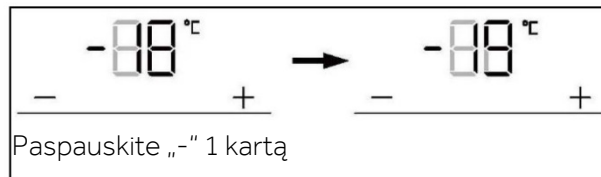


### Pastaba

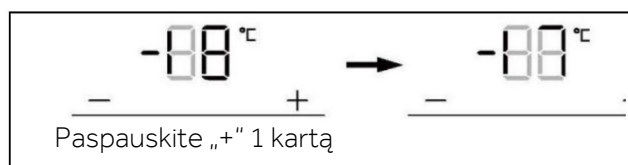
Nustačius temperatūrą, jei per 5 sekundes neatliekamas joks veiksmas, sistema automatiškai patvirtina ir išsaugo temperatūros nustatymą.

### Šaldiklio temperatūros reguliavimas

- Kai ekranas atrakintas, paspauskite mygtuką „C“ (srities parinkiklis). Skambutis suskamba vieną kartą, indikatorius „c2“ (šaldiklio indikatorius) mirksi, o tada įsijungia šaldiklio temperatūros nustatymo režimas.
- Kiekvieną kartą paspaudus mygtuką „D1“ (temperatūros reguliavimo mygtukas „-“), skambutis suskamba vieną kartą ir nustatyta šaldiklio temperatūra sumažinama 1 laipsniu. Šaldiklio temperatūra bus rodoma tokia seka: „-14 °C > -15 °C > -16 °C > -17 °C > -18 °C > -19 °C > -20 °C > -21 °C > -22 °C > -23 °C > -24 °C“.



- Kiekvieną kartą paspaudus mygtuką „D2“ (temperatūros reguliavimo mygtukas „+“), skambutis suskamba vieną kartą ir nustatyta šaldiklio temperatūra padidinama 1 laipsniu. Šaldiklio temperatūra bus rodoma tokia seka: „-24 °C > -23 °C > -22 °C > -21 °C > -20 °C > -19 °C > -18 °C > -17 °C > -16 °C > -15 °C > -14 °C“.

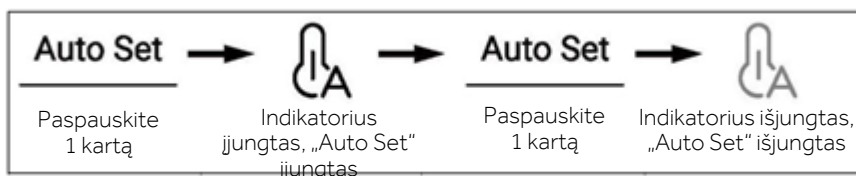


### Pastaba

Nustačius temperatūrą, jei per 5 sekundes neatliekamas joks veiksmas, sistema automatiškai patvirtina ir išsaugo temperatūros nustatymą.

## Automatinio nustatymo režimas „Auto Set“

1. Kai ekranas atrakintas, paspauskite mygtuką „A“ (režimo „Auto Set“ parinkiklis), vieną kartą suskamba skambutis, įsižiebia indikatorius „a1“ (režimas „Auto Set“), tada įjungama automatinio nustatymo funkcija „Auto Set“.
2. Įsižiebus indikatoriumi „a1“ (režimas „Auto Set“), paspauskite mygtuką „A“ (režimo „Auto Set“ parinkiklis), vieną kartą suskamba skambutis, užgęsta indikatorius „a1“ (režimas „Auto Set“), tada „Auto Set“ funkcija išjungama.



## Pastaba

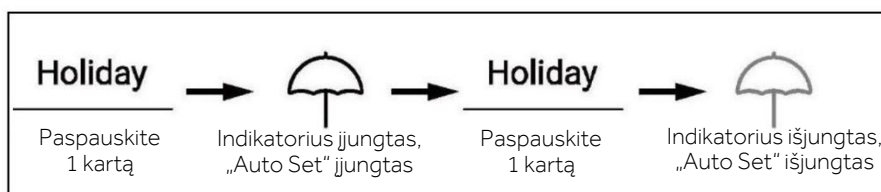
Veikiant automatinio nustatymo režimui „Auto Set“, šaldytuvo arba šaldiklio temperatūros reguliuoti negalima. Jei šaldytuvo ar šaldiklio temperatūrai reguliuoti paspaudžiamas mygtukas „D1“ (temperatūros reguliavimo mygtukas „-“) arba mygtukas „D2“ (temperatūros reguliavimo mygtukas „+“), indikatorius „a1“ („Auto Set“ indikatorius) mirksės ir pasigirs trumpas garsinis signalas, nurodantis, kad šio veiksmo atlikti negalima.

Jei veikiant režimui „Auto Set“ nustatoma funkcija „Super-Cool“, „Super-Freeze“ arba „Holiday“, indikatorius „a1“ (režimas „Auto Set“) užgęsta, o funkcija „Auto Set“ automatiškai išjungama dėl skirtingų valdymo būdų.

## Atostogų režimas „Holiday“

Atostogų režimas „Holiday“ skirtas naudoti tada, kai ketinama nenaudoti šaldytuvo ilgą laiką. Įjungus režimą „Holiday“, šaldiklis veikia įprastai, o šaldytuve automatiškai nustatoma 17 °C temperatūra. Faktinė temperatūra yra ne aukštesnė kaip 17 °C, o tai apsaugo nuo nemalonaus kvapo, kuris atsiranda prietaisui perkaitus, ir tuo pačiu metu padeda sumažinti energijos sąnaudas.

1. Kai ekranas atrakintas, paspauskite mygtuką „B“ (režimo „Holiday“ parinkiklis), vieną kartą suskamba skambutis, įsižiebia indikatorius „b“ (režimas „Holiday“), tada įjungama funkcija „Holiday“.
2. Įsižiebus indikatoriumi „b“ (režimas „Holiday“), paspauskite mygtuką „B“ (režimo „Holiday“ parinkiklis), vieną kartą suskamba skambutis, užgęsta indikatorius „b“ (režimas „Holiday“), tada funkcija „Holiday“ išjungama.



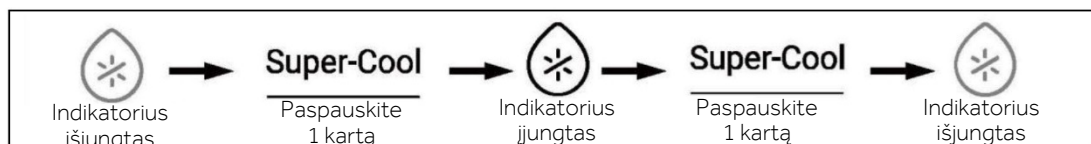
## Pastaba

Veikiant atostogų režimui „Holiday“, šaldytuvo temperatūros reguliuoti negalima. Jei šaldytuvo temperatūrai reguliuoti paspaudžiamas mygtukas „D1“ (temperatūros reguliavimo mygtukas „-“) arba mygtukas „D2“ (temperatūros reguliavimo mygtukas „+“), indikatorius „b“ („Holiday“ indikatorius) mirksės ir pasigirs trumpas garsinis signalas, nurodantis, kad šio veiksmo atlikti negalima.

Prieš naudodami funkciją „Holiday“, ištuštinkite šaldytuvą, kad jame nesugestų maisto produktai. Kai funkcija „Holiday“ įjungta, tuo pačiu metu negalima įjungti funkcijos „Auto Set“ arba „Super-Cool“.

### „Super-Cool“ funkcija

1. Kai ekranas atrakintas, paspauskite mygtuką „F“ (funkcijos „Super-Cool“ parinkiklis), vieną kartą suskamba skambutis, įsižiebia indikatorius „f“ (funkcija „Super-Cool“), tada įjungiama funkcija „Super-Cool“.
2. Įsižiebus indikatoriumi „f“ (funkcija „Super-Cool“), paspauskite mygtuką „F“ (funkcijos „Super-Cool“ parinkiklis), vieną kartą suskamba skambutis, užgęsta indikatorius „f“ (funkcija „Super-Cool“), tada funkcija „Super-Cool“ išjungiama.
3. Įjungus funkciją „Super-Cool“, šaldytuvai automatiškai ją išjungs, kai bus pasiekta nustatyta būklė. Jei norite išjungti funkciją rankiniu būdu, galite paspausti mygtuką „F“ (funkcijos „Super-Cool“ parinkiklis).



## Pastaba

Veikiant intensyvaus vėsinimo funkcijai „Super-Cool“, šaldytuvo temperatūros reguliuoti negalima. Jei šaldytuvo temperatūrai reguliuoti paspaudžiamas mygtukas „D1“ (temperatūros reguliavimo mygtukas „-“) arba mygtukas „D2“ (temperatūros reguliavimo mygtukas „+“), indikatorius „f“ („Super-Cool“ indikatorius) mirksės ir pasigirs trumpas garsinis signalas, nurodantis, kad šio veiksmo atlikti negalima.

Veikiant funkcijai „Super-Cool“, tuo pačiu metu negalima įjungti funkcijos „Auto-Set“ arba „Holiday“ dėl skirtingų valdymo režimų. Pasirinkus vieną funkciją, kuri prieštarauja kitai funkcijai, pradinė funkcija automatiškai išsijungia.

## Intensyvaus šaldymo funkcija „Super-Freeze“ („Super-Frz“)

1. Kai ekranas atrakintas, paspauskite mygtuką „E“ (funkcijos „Super-Frz.“ parinkiklis), vieną kartą suskamba skambutis, įsižiebia indikatorius „e1“ (funkcija „Super-Freeze“), tada įjungiama funkcija „Super-Freeze“.
2. Įsižiebus indikatoriumi „e1“ (funkcija „Super-Freeze“), paspauskite mygtuką „E“ (funkcijos „Super-Frz.“ parinkiklis), vieną kartą suskamba skambutis, užgęsta indikatorius „e1“ (funkcija „Super-Freeze“), tada funkcija „Super-Freeze“ išjungiama.
3. Įjungus funkciją „Super-Freeze“, šaldytuvas automatiškai ją išjungs, kai bus pasiekta nustatyta būklė. Jei norite išjungti funkciją rankiniu būdu, galite paspausti mygtuką „E“ (funkcijos „Super-Frz.“ parinkiklis).



### Pastaba

Veikiant intensyvaus šaldymo funkcijai „Super-Freeze“, šaldiklio temperatūros reguliuoti negalima. Jei šaldiklio temperatūrai reguliuoti paspaudžiamas mygtukas „D1“ (temperatūros reguliavimo mygtukas „-“) arba mygtukas „D2“ (temperatūros reguliavimo mygtukas „+“), indikatorius „e1“ („Super-Frz.“ indikatorius) mirksės ir pasigirs trumpas garsinis signalas, nurodantis, kad šio veiksmo atlikti negalima.

Veikiant funkcijai „Super-Freeze“, tuo pačiu metu negalima įjungti automatinio nustatymo funkcijos „Auto-Set“ dėl skirtingų valdymo režimų. Pasirinkus vieną funkciją, kuri prieštarauja kitai funkcijai, pradinė funkcija automatiškai išsijungia.

## Filtro funkcija

Kai šaldytuvas veikia šešis mėnesius, įsižiebia priminimo indikatorius „c3“ (filtro pakeitimo funkcija), primenantis naudotojams pakeisti filtrą nauju. Pakeitę filtrą, palaikykite nuspaudę mygtuką „C“ (filtro pakeitimo funkcijos parinkiklis) 3 sekundes, kad panaikintumėte priminimą. Suskambus skambučiui laikas bus nustatytas iš naujo.

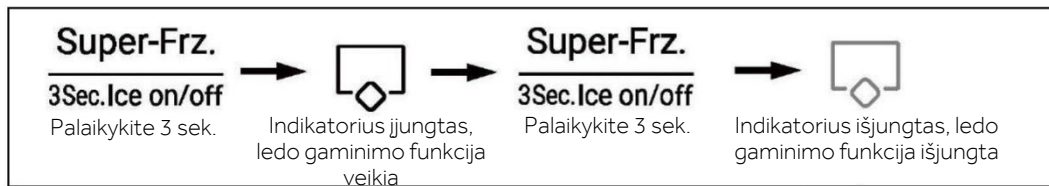


### Pastaba

Įprasta filtro eksploataavimo trukmė yra šeši mėnesiai. Rekomenduojama keisti filtrą kas šešis mėnesius.

## Ledukų gaminimo režimas

1. Kai prietaisas atrakintas, paspauskite mygtuką „E“ (ledukų gaminimo režimo parinkiklis) ir palaikykite 3 sekundes, vieną kartą suskamba skambutis, įsižiebia indikatorius „e2“ (ledukų gaminimo režimas), tada įjungiamas ledukų gaminimo režimas.
2. Įsižiebus indikatoriumi „e2“ (ledukų gaminimo režimas), paspauskite mygtuką „E“ (ledukų gaminimo režimo parinkiklis) ir palaikykite 3 sekundes, vieną kartą suskamba skambutis, užgessta indikatorius „e2“ (ledukų gaminimo režimas), tada ledukų gaminimo režimas išjungiamas.



## Pastaba

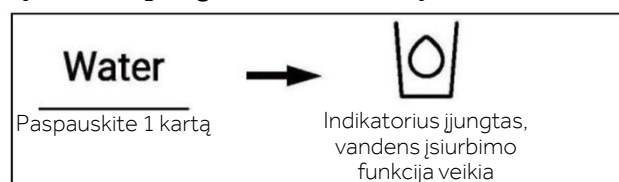
Kai programa įjungta, pagal numatytuosius nustatymus ledukų gaminimo aparatas yra išjungtas.

Jei ilgą laiką ledo kubelių nereikia, išjunkite ledukų gaminimo funkciją, ištuštinkite indą ir įdėkite išvalytą indą.

Ledukų gaminimo aparatą galima sukonfigūruoti tik pas gamintoją arba įsigyti iš jo techninės priežiūros atstovo.

## Vandens įsiurbimo funkcija

Kai prietaisas užrakintas arba atrakintas, paspauskite mygtuką „H1“ (vandens įsiurbimo funkcijos parinkiklis), vieną kartą suskamba skambutis, įsižiebia indikatorius „h1“ (vandens įsiurbimo funkcija), tada įjungiamas vandens įsiurbimo funkcija.

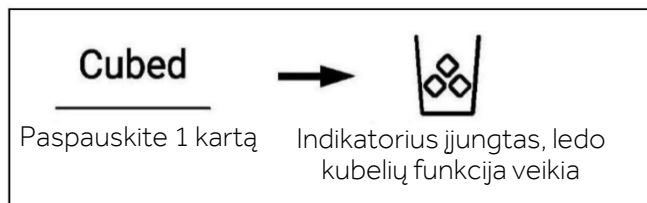


## Pastaba

1. Kai užsidega indikatorius „h1“ (vandens įsiurbimo funkcija), indikatorius „h2“ (ledo kubelių funkcija) ir indikatorius „h3“ (smulkinto ledo funkcija) užgessta. Paspaudus vandens tiekimo svirtelę, vanduo tekės iš įsiurbimo angos.
2. Kai vandens įsiurbimo trukmė pasiekia 150 sek., šaldytuvas supypsi ir laiko vandenį iki 180 sek., tada vandens tiekimas nutraukiamas, o apsauginis vandens vožtuvas užsidaro 200 sek., po to vandens įsiurbimą bus galima atlikti dar kartą.
3. Kai bendra vandens įsiurbimo trukmė pasiekia 5 min. per 10 min., apsauginis vandens vožtuvas užsidaro 10 min., po to vandens įsiurbimą galima atlikti dar kartą.

## Ledo kubelių funkcija

Kai prietaisas užrakintas arba atrakintas, paspauskite mygtuką „H2“ (ledo kubelių funkcijos parinkiklis), vieną kartą suskamba skambutis, įsižiebia indikatorius „h2“ (ledo kubelių funkcija), tada įjungiama ledo kubelių gaminimo funkcija.

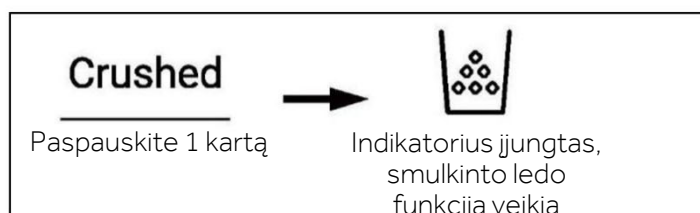


## Pastaba

1. Įsižiebus indikatoriumi „h2“ (ledo kubelių funkcija), užgęsta indikatorius „h1“ (vandens įsiurbimo funkcija) ir indikatorius „h3“ (smulkinto ledo funkcija). Paspaudus tiekimo įrenginio mikrojungiklį, iš įsiurbimo angos bus tiekiami ledo kubeliai.
2. Kai ledukų gaminimo aparatas pirmą kartą prijungiamas prie maitinimo šaltinio, pagal numatytuosius nustatymus „Ledo kubelių“ funkcija yra išjungta.
3. Paspaudus tiekimo įrenginio mikrojungiklį, jo lemputė įsijungia atidarius dangtelį. Tada pradeda veikti ledo smulkinimo variklis, jis sukasi prieš laikrodžio rodyklę ir išstumia ledo kubelius. Atspaudus tiekimo įrenginio mikrojungiklį, ledo smulkinimo variklis sustoja, o tiekimo įrenginio dangtis užsidaro ir lemputė užgęsta po 5 sekundžių.
4. Veikiant ledo kubelių gaminimo funkcijai, kai ledo kubelių funkcijos trukmė viršija 50 sekundžių, suskamba signalas, įspėjantis, kad naudotojas ją išjungtų. Funkcijos trukmei pasiekus 1 minutę, ledo kubelių gaminimo funkcija priverstinai sustabdoma, o ją įjungti galima dar kartą paspaudus jungiklį.
5. Veikiant ledo kubelių gaminimo funkcijai, jei šaldytuvo durelės atidaromos, ledo tiekimo variklis sustoja, tiekimo įrenginio dangtis uždaromas, išsijungia tiekimo įrenginio šviesa ir ledo kubelių tiekimas sustoja.
6. Ledo tiekimas neleidžiamas, kai šaldytuvo durelės atidarytos.

## Smulkinto ledo funkcija

Kai prietaisas užrakintas arba atrakintas, paspauskite mygtuką „H3“ (smulkinto ledo funkcijos parinkiklis), vieną kartą suskamba skambutis, įsižiebia indikatorius „h3“ (smulkinto ledo funkcija), tada įjungiama smulkinto ledo gaminimo funkcija.





## Pastaba

Įsižiebus indikatoriumi „h3“ (smulkinto ledo funkcija), užgesa indikatorius „h1“ (vandens įsiurbimo funkcija) ir indikatorius „h2“ (ledo kubelių funkcija). Paspaudus tiekimo įrenginio mikrojungiklį, iš įsiurbimo angos bus tiekiamas smulkintas ledas.

Paspaudus tiekimo įrenginio mikrojungiklį, jo lemputė įsijungia atidarius dangtelį. Tada pradeda veikti ledo smulkinimo variklis, jis sukasi pagal laikrodžio rodyklę ir išstumia ledo kubelius. Atspaudus tiekimo įrenginio mikrojungiklį, ledo smulkinimo variklis sustoja, o tiekimo įrenginio dangtis užsidaro ir lemputė užgesa po 5 sekundžių.

Veikiant smulkinto ledo gaminimo funkcijai, kai smulkinto ledo funkcijos trukmė viršija 50 sekundžių, suskamba signalas (dunksėjimas), įspėjantis, kad naudotojas ją išjungtų. Funkcijos trukmei pasiekus 1 minutę, smulkinto ledo gaminimo funkcija priverstinai sustabdoma, o ją įjungti galima dar kartą paspaudus jungiklį.

Veikiant smulkinto ledo gaminimo funkcijai, jei šaldytuvo durelės atidaromos, ledo tiekimo variklis sustoja, tiekimo įrenginio dangtis uždaromas, išsijungia tiekimo įrenginio šviesa ir smulkinto ledo tiekimas sustoja. Smulkinto ledo tiekimas neleidžiamas, kai šaldytuvo durelės atidarytos.

### Atidarytų durelių signalas

Jei kurios nors durelės laikomos atidarytos per ilgai arba durelės nėra tinkamai uždarytos, pradeda pypsėti šaldytuvo signalas, primindamas laiku uždaryti duris.

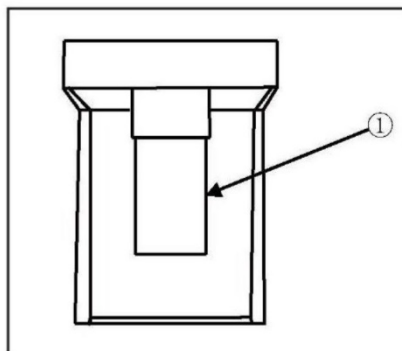
### Atminties funkcija prietaisui išsijungus

Išsijungus maitinimui, akimirksniu įsimenama prietaiso veikimo būklė. Vėl įjungus maitinimą, prietaisas veikia tais pačiais nustatymais, kaip prieš nutraukiant maitinimą.

### Ledo ir vandens tiekimo įrenginio naudojimas

Kelias kartus spauskite tiekimo įrenginio pasirinkimo mygtuką, kol užsidegs lemputė virš norimo indikatoriaus.

Norėdami įsipilti ledo kubelių, vandens arba smulkinto ledo, paspauskite tiekimo įrenginio svirtelę (1) stikline ar kitu indu.



# PATARIMAI, KAIP LAIKYTI ŠVIEŽIUS MAISTO PRODUKTUS

## Laikymas šaldytuvo skyriuje

1. Šaldytuvo temperatūra turi būti ne aukštesnė nei 5 °C.
2. Prieš sudedant karštą maistą į prietaisą, jį reikia atvėsinti iki kambario temperatūros.
3. Prieš sudedant maisto produktus į šaldytuvą, juos reikia nuplauti ir nusausinti.
4. Šaldytuve laikomus maisto produktus reikia tinkamai uždaryti, kad nepakistų kvapas ar skonis.
5. Nelaikykite pernelyg didelio maisto produktų kiekio. Tarp maisto produktų palikite tarpų, kad aplink juos galėtų cirkuliuoti šaltas oras ir būtų tolygiau vėsinama.
6. Kasdien valgomus maisto produktus reikėtų laikyti lentynos priekyje.
7. Palikite tarpą tarp maisto produktų ir vidinių prietaiso sienelių, kad oras galėtų cirkuliuoti. Specialiai nelaikykite maisto produktų prie galinės sienelės – maistas gali prie jos prišalti. Stenkitės, kad maistas (ypač riebus ar rūgštus) nesiliestų su vidiniu įdėklu, nes riebalai / rūgštis gali pažeisti vidinį įdėklą. Aptikę riebalų / rūgšties nešvarumus juos nuvalykite.
8. Šaldytą maistą atitirpinkite šaldytuvo skyriuje. Tokiu būdu šaldytais maisto produktais galite sumažinti skyriaus temperatūrą ir sutaupyti energijos.
9. Šaldytuve laikomi vaisiai ir daržovės, pavyzdžiui, cukinijos, melionai, papajos, bananai, ananasai ir kt., gali sugesti greičiau. Todėl jų nepatartina laikyti šaldytuve. Tačiau tam tikrą laikotarpį galima panokinti itin žalius vaisius. Svogūnus, česnakus, imbierą ir kitas šaknines daržoves taip pat reikėtų laikyti kambario temperatūroje.
10. Nemalonus kvapas šaldytuvo viduje – tai ženklas, kad kažkas išsiliejo ir reikia išvalyti. Žr. skyrių PRIEŽIŪRA IR VALYMAS.
11. Skirtingus maisto produktus reikėtų sudėti skirtingose vietose atsižvelgiant į jų savybes:

1 - Sviestas, sūris ir kt.

2 - Kiaušiniai, konservuotas maistas, prieskoniai ir kt.

3 / 4 / 5 - Gėrimai ir maistas buteliuose.

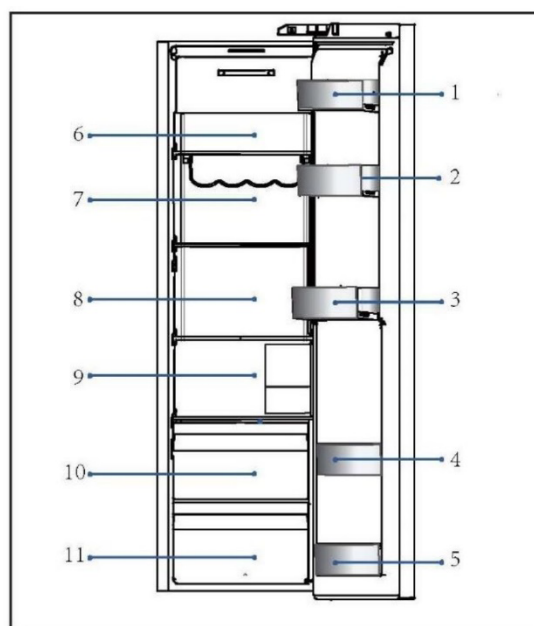
6 - Marinuoti maisto produktai, konservuotas maistas ir kt.

7 / 8 - Mėsos produktai, žuvis, žalias maistas.

9 - Skardinės, pieno produktai ir kt.

10 - Vaisiai, daržovės, salotos ir kt.

11 - Termiškai apdorota mėsa, dešros ir kt.

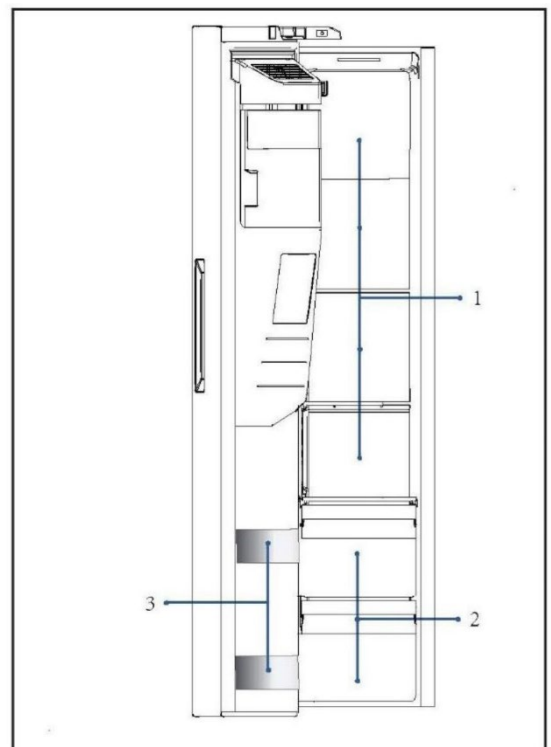


## PATARIMAI, KAIP LAIKYTI ŠVIEŽIUS MAISTO PRODUKTUS

### Laikymas šaldiklio skyriuje

1. Šaldiklio temperatūra turi būti -18 °C.
2. Likus 12 valandoms iki užšaldymo, įjunkite funkciją „Super-Freeze“; mažam maisto produktų kiekiui pakanka 4–6 valandų.
3. Prieš sudedant karštą maistą į šaldiklio skyrių, jį reikia atvėsinti iki kambario temperatūros.
4. Maistas, suskirstytas mažomis porcijomis, užšals greičiau, jį bus lengviau atitirpinti ir gaminti. Rekomenduojamas kiekvienos porcijos svoris – ne daugiau nei 2,5 kg.
5. Prieš sudedant maisto produktus į šaldiklį, juos geriau supakuoti. Pakuotės išorė turi būti sausa, kad maišeliai nesuliptų. Pakavimo medžiagos turi būti bekvapės, sandarios, nenuodingos ir netoksiškos.
6. Kad nepraleistumėte produktų laikymo termino pabaigos, ant pakuotės nurodykite užšaldymo datą, terminą ir maisto produkto pavadinimą, atsižvelgdami į skirtingų maisto produktų laikymo terminus.
7. **ĮSPĖJIMAS!** Rūgštys, šarmai, druskos ir kt. gali pažeisti vidinį šaldiklio paviršių. Nedėkite šių medžiagų turinčių maisto produktų (pvz., jūrinių žuvies) tiesiai ant vidinio paviršiaus. Sūrų vandenį šaldiklyje reikia nedelsiant išvalyti.
8. Neviršykite gamintojų rekomenduojamos maisto produktų laikymo trukmės. Iš šaldiklio išimkite tik reikiamą maisto produktų kiekį.
9. Skirtingus maisto produktus reikėtų sudėti skirtingose vietose atsižvelgiant į jų savybes:

- 1- Mažesnio svorio daiktai, pvz., ledai, daržovės, duona ir kt.
- 2- Didelės / sunkesnės maisto porcijos, pvz., išdorota mėsa kepimui
- 3- Pica ir kt.



## PASTABA. LAIKYMAS

1. Laikykitės didesnio kaip 10 mm atstumo tarp maisto ir jutiklio, kad užtikrintumėte aušinimo efektą.
2. Palikite apatinį stalčių prietaise, kai jis veikia, kad būtų užtikrintas aušinimo efektas.
3. Maisto produktai, kuriuose yra ledų (pvz., ledai ir pan.), turėtų būti laikomi šaldiklio skyriuje, o ne butelių laikikliuose. Temperatūros pokyčiai, su kuriais susiduria butelių laikikliai, atsirandantys atidarius ir uždarius dureles, gali atšildyti maistą.
4. Greitai suvartokite atitirpintą maistą. Atitirpinto maisto negalima pakartotinai užšaldyti, nebent prieš tai jis buvo termiškai apdorotas. Priešingu atveju jo valgyti negalima.
5. Į šaldiklio skyrių nesudėkite pernelyg daug šviežio maisto. Šaldiklio šaldymo pajėgumas nurodytas skyriuje TECHNINIAI DUOMENYS arba tipo duomenų lentelėje.
6. Maistą galima laikyti šaldiklyje ne žemesnėje kaip  $-18^{\circ}\text{C}$  temperatūroje nuo 2 iki 12 mėnesių, priklausomai nuo jo savybių (pvz., mėsa 3–12 mėnesių, daržovės 6–12 mėnesių).
7. Norėdami užšaldyti šviežius maisto produktus, stenkitės, kad jie nesiliestų su jau užšaldytu maistu. Atitirpimo pavojus!
8. Atšaldykite šaldytą maistą šaldytuve. Tokiu būdu šaldytais maisto produktais galite sumažinti skyriaus temperatūrą ir sutaupyti energijos.

### **Laikydami komerciniais tikslais užšaldytus maisto produktus, laikykitės toliau nurodytų rekomendacijų.**

1. Visada laikykitės gamintojų nurodymų, kiek laiko turėtumėte laikyti maisto produktus. Nelaikykite produktų ilgiau nei rekomenduojama!
2. Įsigytus produktus stenkitės sudėti į prietaisą kuo greičiau, kad būtų išsaugota maisto kokybė.
3. Pirkite šaldytus maisto produktus, kurie buvo laikomi  $-18^{\circ}\text{C}$  ar žemesnėje temperatūroje.
4. Stenkitės nepirkti maisto produktų, ant kurių pakuočių yra ledo ar šerkšno – tai rodo, kad produktai galėjo būti iš dalies atitirpinti ir vėl užšaldyti. Pakilusi temperatūra paveikia maisto kokybę.

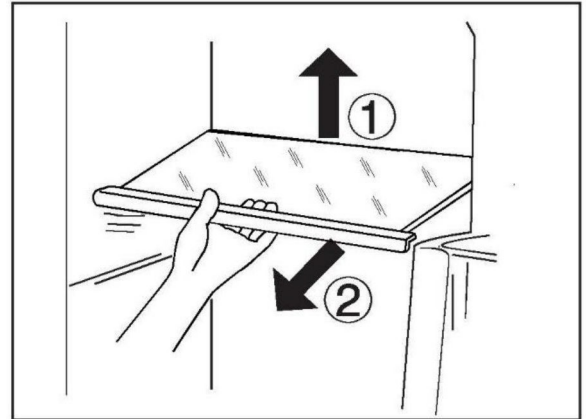


## **Energijos taupymo patarimai**

- ▶ Įsitikinkite, kad prietaiso ventiliacija yra tinkama (žr. ĮRENGIMAS).
- ▶ Nejrenkite prietaiso tiesioginiuose saulės spinduliuose arba šalia šilumos šaltinių (pvz., viryklių, šildytuvų).
- ▶ Stenkitės be reikalo nenustatyti žemos temperatūros prietaise. Kuo žemesnė temperatūra nustatoma prietaise, tuo daugiau energijos suvartojama.
- ▶ Tokios funkcijos, kaip intensyvus šaldymas „POWER-FREEZE“, suvartoja daugiau energijos.
- ▶ Prieš dėdami šiltą maistą į prietaisą palaukite, kol jis atvės.
- ▶ Laikykite prietaiso duris atidarytas kuo trumpiau.
- ▶ Neperpildykite prietaiso, kad nesutriktų oro cirkuliacija.
- ▶ Stenkitės, kad maisto produktų pakuotėse nebūtų oro.
- ▶ Pasirūpinkite, kad durelių sandarikliai būtų švarūs ir durelės visada tinkamai užsidarytų.
- ▶ Šaldytą maistą atitirpinkite šaldytuvo skyriuje.
- ▶ Siekiant sutaupyti kuo daugiau energijos, prietaiso stalčiai, maisto produktų dėžė ir lentynos turi būti švarūs, kaip gamykloje, o maisto produktai turi būti dedami neuždengiant ortakių oro išleidimo angos.

## Reguliuojamos lentynos

1. Lentynų aukštį galima reguliuoti pagal jūsų produktų laikymo poreikius.
2. Norėdami perkelti lentyną, pirmiausia ją nuimkite pakeldami galinį kraštą ① ir ištraukdami ②.
3. Norėdami ją įstatyti, uždėkite ant ąselių abiejose pusėse ir įstumkite iki galo, kol lentynos galinė dalis užsifiksuos šonuose esančiuose grioveluose.

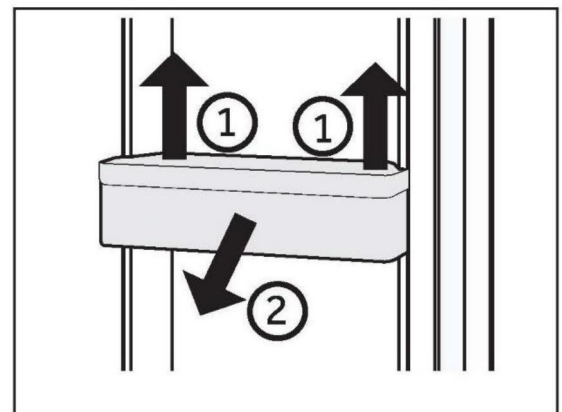


## **i** PASTABA

Įsitinkinkite, kad visi lentynos kraštai yra viename lygmenyje.

## Nuimamos durelių lentynos / butelių laikiklis

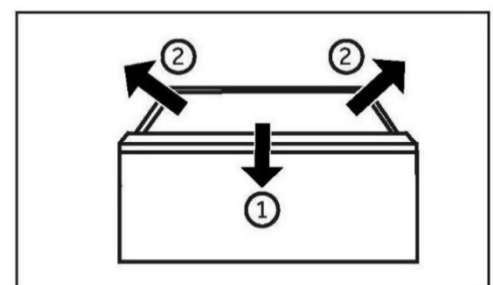
1. Durelių lentynas / butelių laikiklį galima nuimti norint išvalyti:
2. Padėkite rankas ant abiejų lentynėlių / butelių laikiklio pusių, pakelkite aukštyn ① ir ištraukite ②.
3. Norėdami įstatyti durelių lentyną / butelių laikiklį, pirmiau nurodytus veiksmus atlikite atvirkštine tvarka.



## Išimamas stalčius

Norėdami išimti stalčių, ištraukite maksimaliai ①, pakelkite ir išimkite ②.

Norėdami įstatyti stalčių, pirmiau nurodytus veiksmus atlikite atvirkštine tvarka.



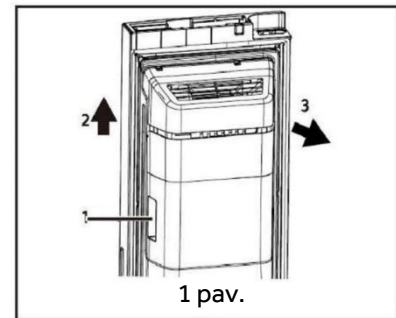
## Ledo talpykla

### Ledo gamybos sustabdymas

Jei ilgą laiką nereikia ledo ar vandens, vožtuvą tarp vandens tiekimo ir prietaiso galima išjungti. Ledo dėžę reikia išvalyti, išdžiovinti ir įdėti atgal į prietaisą, siekiant išvengti kvapų atsiradimo.

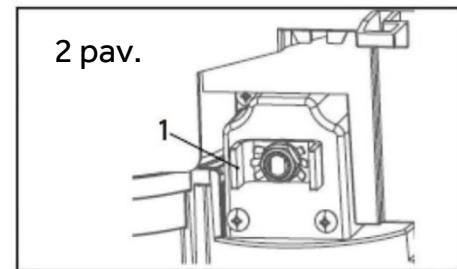
### Ledo talpyklos nuėmimas

1. Suimkite abi šonines rankenas.
2. Pakelkite konteinerį.
3. Ištraukite konteinerį.



### Ledo talpyklos įdėjimas atgal

Norint iš naujo įdėti ledo talpyklą, U formos laikiklis už ledo talpyklos (pažymėta „1“ 2 pav.) turi būti sulygiuotas su atitinkama metaline konstrukcija. Atlikite 1 pav. nurodytus veiksmus atvirkštine tvarka.



### PASTABA

Drėgmė gali kondensuotis ir užšaldyti ledo dėžę.



## ĮSPĖJIMAS!

Prieš valydami atjunkite prietaisą nuo maitinimo šaltinio.

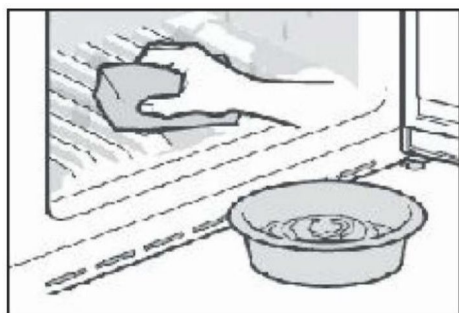
### Valymas

Valykite prietaisą tada, kai jame laikote tik nedidelį kiekį maisto produktų arba jis yra tuščias. Prietaisą reikia valyti ne rečiau kaip kartą per keturias savaites, kad būtų užtikrinta tinkama priežiūra ir nebūtų nemalonių laikomo maisto kvapų.



## ĮSPĖJIMAS!

- ▶ Prietaiso nevalykite kietais šepėčiais, vieliniais šepėčiais, skalbimo milteliais, benzinu, amilacetatu, acetonu ir panašiais organiniais tirpalais, taip pat rūgštiniais arba šarminiais tirpalais. Kad išvengtumėte pažeidimų, valykite specialiu šaldytuvo plovikliu.
- ▶ Valydami ant prietaiso nepurškite ir nepilkite skysčių.
- ▶ Prietaisui valyti nenaudokite vandens purkštuvo ar garų.
- ▶ Nevalykite šaltų stiklo lentynų karštu vandeniu. Dėl staigaus temperatūros pokyčio stiklas gali suskilti.
- ▶ Dirbdami nelieskite šaldiklio skyriaus vidinio paviršiaus, ypač šlapiomis rankomis, nes rankos gali prisalti prie paviršiaus.
- ▶ Pasklidus šilumai patikrinkite šaldytų produktų būklę.



- ▶ Durelių tarpiklis visada turi būti švarus.
  - ▶ Prietaiso vidų ir korpusą valykite šiltu vandeniu ir neutraliu plovikliu sudrėkinta kempine.
1. Šaldytuvo vidų ir išorę, įskaitant durelių sandariklį, durelių lentyną, stiklines lentynas, dėžes ir pan., valykite šiltu vandeniu sudrėkintu minkštu rankšluosčiu arba kempine (į šiltą vandenį galima įpilti neutralaus ploviklio).
  2. Išsiliejus skysčiui, išimkite visas užterštas dalis, nuskalaukite tekančiu jas vandeniu, nusausinkite ir vėl įdėkite į šaldytuvą.
  3. Išsiliejus kreminės konsistencijos produktui (pvz., grietinėlė, ištirpę ledai), išimkite visas suteptas dalis ir pamirkykite šiltame apie 40 °C vandenyje, paskui nuskalaukite tekančiu vandeniu, nusausinkite ir vėl įdėkite į šaldytuvą.
  4. Jei maža dalis ar detalė šaldytuve įstrigo (tarp lentynų ar stalčių), pabandykite ją išimti mažu švelniu šepetėliu. Jei nepavyksta, kreipkitės į „Haier“ techninės priežiūros skyrių.
- ▶ Nuskalaukite ir nusausinkite minkšta šluoste.
  - ▶ Neplaukite jokių prietaiso dalių indaplovėje.
  - ▶ Prieš įjungdami prietaisą palaukite bent 5 minutes, nes dažnai įjungiant gali sugesti kompresorius.

### Atitirpinimas

Šaldytuvo ir šaldiklio skyrių atitirpinimas atliekamas automatiškai – jo nereikia valdyti rankiniu būdu.



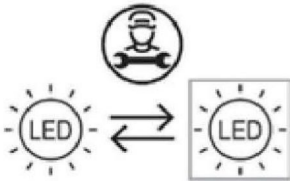
## Šviesos diodo lempučių keitimas



### ĮSPĖJIMAS!

Nekeiskite šviesos diodo lemputės patys, ją gali pakeisti tik gamintojas arba įgaliotasis techninės priežiūros atstovas.

Šviesos šaltinis yra šviesos diodas, kuris sunaudoja mažai energijos ir ilgai tarnauja. Jei lemputė veikia neįprastai, susisiekite su klientų aptarnavimo skyriumi. Žr. skyrių KLIENTŲ APTARNAVIMAS.



Šviesos šaltinį (tik LED) gali keisti tik specialistai.

Šio gaminio apšvietimo šaltinio energijos efektyvumo klasė yra G.

Skyrius	Įtampa	Energijos efektyvumo klasė	Modelis
Šaldytuvas	12 V	G	HSW59F18DIMM
Šaldiklis	12 V	G	HSW79F18DIPT
Galinė lemputė	12 V	G	HSW79F18DIPT

## Ledo talpyklos valymas

Ledo talpyklą periodiškai valykite šiltu vandeniu, ypač jei ledo kubeliai sensta ir pasensta. Prieš dėdami indą atgal į prietaisą, gerai išdžiovinkite, kad ledo kubeliai nepriliptų prie sienų.

## Ilgalaikis nenaudojimas

Jei prietaiso nenaudosite ilgesnį laiką ir neįjungsite šaldytuvo atostogų funkcijos „Holiday“:

- ▶ išimkite maistą;
- ▶ Atjunkite maitinimo laidą.
- ▶ išvalykite prietaisą, kaip aprašyta pirmiau;
- ▶ palikite duris atidarytas, kad viduje neatsirastų nemalonių kvapų.



### PASTABA

Išjunkite prietaisą tik tuo atveju, jei tai tikrai būtina.



## Prietaiso gabenimas

1. Išimkite visą maistą ir atjunkite prietaisą.
2. Šaldytuvo ir šaldiklio lentynas bei kitas judančias dalis pritvirtinkite lipnia juosta.
3. Nepakreipkite šaldytuvo didesniu nei 45° kampu, kad nepažeistumėte šaldymo sistemos.



### ĮSPĖJIMAS!

- ▶ Nekelkite prietaiso už rankenų.
- ▶ Niekada nedėkite prietaiso horizontaliai ant žemės.

## Filtro keitimas

Vandens filtrą reikia keisti maždaug kas 6 mėnesius, kai užsidega indikatorius „c3“ (filtro keitimo funkcija).

Norėdami įsigyti pakaitinį vandens filtrą:

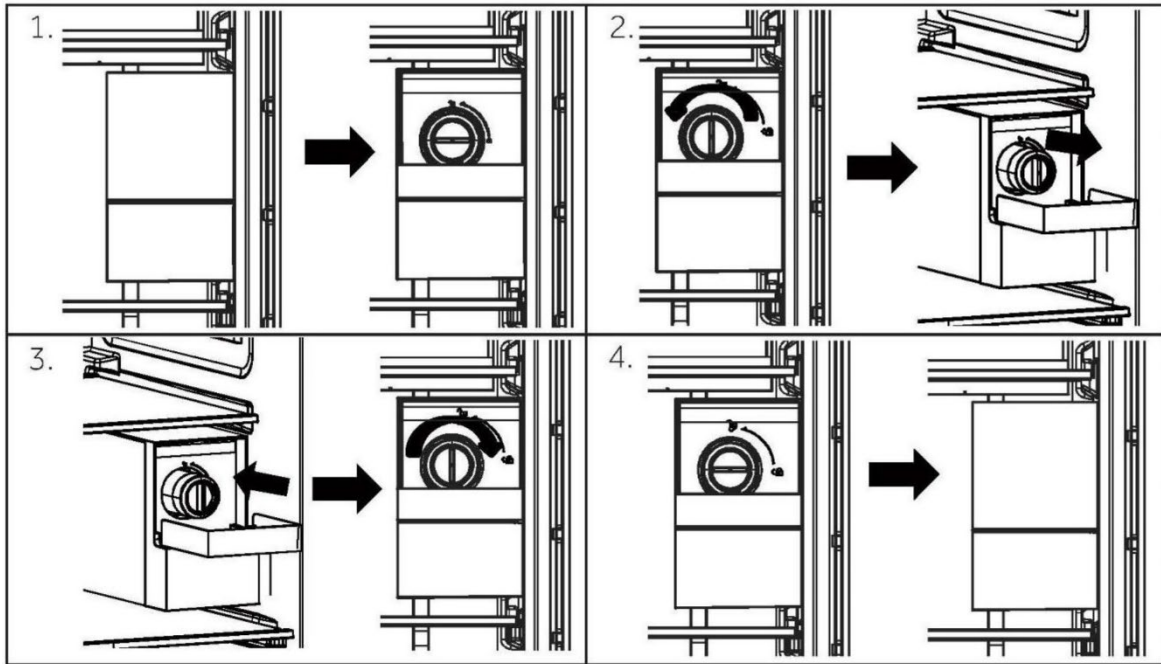
- naudokite pakaitinę kasetę: HRXWF;
- kreipkitės į vietos prekybos atstovą arba platintoją. Jei reikia daugiau pagalbos, apsilankykite mūsų svetainėje adresu [www.haierspares.eu](http://www.haierspares.eu).



### Pastaba

- ▶ Pakeitus vandens filtrą, išteka nedidelis kiekis vandens (apie 1 uncija arba 25 kubiniai cm).
- ▶ Vandens filtro dangtelio priekinę dalį apvyniokite audiniu, kad sugertų nutekėjusį vandenį. Išimtą vandens filtrą laikykite vertikaliai, kad iš jo neišsiliėtų likęs vanduo.

1. Paspauskite viršutinio dangtelio vidurį ir pasukite žemyn.
2. Išimkite vienkartinį vandens filtrą.
3. Pakeiskite nauju vandens filtru. Įdėkite naują filtrą į filtro galvutę ir sukite jį pagal laikrodžio rodyklę, kol rodyklė ant naujo filtro sutaps su rodykle ant filtro galvutės. Įstumkite filtrą atgal į skyrių.
4. Uždarykite vandens filtro dangtelį.



5. Nuspauskite ir palaikykite mygtuką „3Sec. Filter Reset“ 3 sekundes.
6. Maždaug 5 minutes leiskite vandenį, kad pašalintumėte įstrigusį orą ir teršalus.



## DĖMESIO!

- ▶ Nepakeitus filtrų, kai reikia, arba naudojant „Haier“ nepatvirtintus vandens filtrus, filtro kasetė gali pratekėti ir sukelti materialinę žalą.

### Vandens filtras

#### Modelis: „Haier“ HRXWF

- ▶ IAPMO R&T sertifikuota sistema pagal NSF/ANSI 42, 53, 401 ir P473 standartus, skirta sumažinti reikalavimus, nurodytus eksploatacinių duomenų lape ir svetainėje iapmort.org.
- ▶ Faktinės eksploatacinės savybės gali skirtis priklausomai nuo vietos vandens sąlygų.

#### Naudojimo gairės / vandens tiekimo parametrai

Vandens tiekimo srautas: 0,5 gpm (1,89 l/min.)

Vandens šaltinis: geriamasis vanduo

Vandens slėgis: 25–120 psi (172–827 kPa)

Vandens temperatūra: 0,6 °C – 38 °C

Talpa: 170 galonų (643,5 litro)



Norint, kad gaminys veiktų taip, kaip nurodyta, būtina laikytis gamintojo rekomenduojamų įrengimo, priežiūros ir filtrų keitimo reikalavimų. Informacijos apie garantiją pateikta įrengimo vadove.



### Pastaba

Nors bandymai buvo atlikti standartinėmis laboratorijos sąlygomis, realus veikimas gali skirtis. Pakaitinė kasetė: HRXWF. Norėdami sužinoti apytiksles atsarginių detalių kainas, apsilankykite mūsų svetainėje [www.haierespares.eu](http://www.haierespares.eu).



### ĮSPĖJIMAS!

- ▶ Siekdami sumažinti riziką, susijusią su teršalų patekimu į organizmą:
- ▶ nenaudokite vandens, kuris yra mikrobiologiškai nesaugus arba nežinomos kokybės, prieš tai arba po to tinkamai nedezinfekavę sistemos. Norint dezinfekuoti vandenį, kuriame gali būti filtruojamų cistų, galima naudoti sistemas, sertifikuotas cistų kiekiui mažinti.



### Pastaba

**Siekdami sumažinti vandens nuotėkio arba užliejimo riziką ir užtikrinti optimalų filtro veikimą:**

- ▶ prieš įrengdami ir naudodami šią sistemą, perskaitykite ir laikykitės naudojimo instrukcijų;
- ▶ įrengimas ir naudojimas PRIVALO atitiktis visas valstybines ir vietos vandentiekio taisykles;
- ▶ neįrenkite prietaiso, jei vandens slėgis viršija 120 psi (827 kPa). Jei vandens slėgis viršija 80 psi (552 kPa), reikia įrengti slėgio ribojimo vožtuvą. Jei nežinote, kaip patikrinti vandens slėgį, kreipkitės į santchnikos specialistą.
- ▶ Nemontuokite ten, kur gali susidaryti hidraulinio smūgio sąlygos. Jei gali susidaryti hidraulinio smūgio sąlygos, reikia įrengti hidraulinio smūgio slopintuvą. Jei nežinote, kaip patikrinti šią būklę, kreipkitės į santchnikos specialistą;
- ▶ nemontuokite ant karšto vandens tiekimo vamzdžių. Didžiausia šios filtravimo sistemos darbinė vandens temperatūra yra 38 °C.
- ▶ Saugokite filtrą, kad neužšaltų. Temperatūrai nukritus žemiau 0,6 °C, praplaukite filtrą.
- ▶ keiskite vienkartinę filtro kasetę kas šešis mėnesius arba anksčiau, jei pastebite žymų vandens srauto sumažėjimą;
- ▶ Rekomenduojamais intervalais nepakeitus vienkartinės filtro kasetės, gali sumažėti filtro našumas ir atsirasti įtrūkimų filtro korpuse, dėl kurių gali atsirasti vandens nuotėkis arba užliejimas.
- ▶ Ši sistema buvo išbandyta pagal NSF/ANSI 42, 53, 401 ir P473 reikalavimus, siekiant sumažinti toliau išvardytų medžiagų kiekį. Nurodytų medžiagų koncentracija į sistemą patenkančiame vandenyje buvo sumažinta iki koncentracijos, mažesnės arba lygios iš sistemos išleidžiamam vandeniui leistinai ribai, kaip nurodyta NSF/ANSI 42, 53, 401 ir P473.

Daugelį iškilusių problemų galite išspręsti patys, neturėdami specialių žinių. Kilus problemai, prieš kreipdamiesi į garantinio aptarnavimo skyrių, patikrinkite visas nurodytas galimybes ir vadovaukitės toliau pateiktais nurodymais. Žr. skyrių KLIENTŲ APTARNAVIMAS.



### ĮSPĖJIMAS!

- ▶ Prieš atlikdami techninę priežiūrą, išjunkite prietaisą ir ištraukite maitinimo kištuką iš elektros lizdo.
- ▶ Elektros įrangos techninę priežiūrą turėtų atlikti tik kvalifikuoti elektros specialistai, nes netinkamai atliktas remontas gali sukelti didelę žalą.
- ▶ Pažeistą maitinimo laidą turi pakeisti tik gamintojas, jo techninės priežiūros atstovas arba panašios kvalifikacijos asmenys, kad būtų išvengta pavojaus.

Problema	Galima priežastis	Galimas sprendimas
Kompresorius neveikia.	<ul style="list-style-type: none"> <li>• Maitinimo kištukas neįjungtas į elektros lizdą.</li> <li>• Įjungtas prietaiso atitirpinimo ciklas.</li> </ul>	<ul style="list-style-type: none"> <li>• Prijunkite maitinimo kištuką.</li> <li>• Tai normalu veikiant automatiniam atitirpinimui.</li> </ul>
Prietaiso aktyvus veikimas yra per dažnas arba per ilgai trunka.	<ul style="list-style-type: none"> <li>• Patalpų arba lauko temperatūra yra per aukšta.</li> <li>• Prietaisas kurį laiką buvo išjungtas.</li> <li>• Nesandariai uždarytos prietaiso durelės.</li> <li>• Durelės buvo atidaromos per dažnai arba per ilgai.</li> <li>• Nustatyta per žema šaldiklio skyriaus temperatūra.</li> <li>• Durelių tarpiklis yra nešvarus, susidėvėjęs, įtrūkęs arba nepriklunda.</li> <li>• Neužtikrinama reikiama oro cirkuliacija.</li> </ul>	<ul style="list-style-type: none"> <li>• Šiuo atveju normalu, kad prietaisas aktyviai veikia ilgiau.</li> <li>• Paprastai prietaisui visiškai atvėsti prireikia 8–12 valandų.</li> <li>• Uždarykite duris ir (arba) stalčių ir įsitikinkite, kad prietaisas stovi ant lygaus pagrindo, o durims uždaryti nekliudo maisto produktai ar indai.</li> <li>• Neatidarinkite durelių ir (arba) stalčiaus per dažnai.</li> <li>• Nustatykite aukštesnę temperatūrą, kol bus pasiekta patenkinama šaldytuvo temperatūra. Šaldytuvo temperatūra stabilizuojasi per 24 valandas.</li> <li>• Išvalykite durelių ir (arba) stalčiaus tarpiklį arba kreipkitės į klientų aptarnavimo tarnybą, kad jį pakeistų.</li> <li>• Užtikrinkite pakankamą ventiliaciją.</li> </ul>
Šaldytuvo vidus yra nešvarus ir (arba) iš jo sklinda nemalonūs kvapas.	<ul style="list-style-type: none"> <li>• Šaldytuvo vidų reikia išvalyti.</li> <li>• Šaldytuve laikomi stipraus kvapo maisto produktai.</li> </ul>	<ul style="list-style-type: none"> <li>• Išvalykite šaldytuvo vidų.</li> <li>• Kruopščiai suvyniokite maistą.</li> </ul>



Problema	Galima priežastis	Galimas sprendimas
Prietaisas skleidžia neįprastus garsus.	<ul style="list-style-type: none"><li>• Prietaisas pastatytas ant nelygaus paviršiaus.</li><li>• Prietaisas liečia šalia jo esantį objektą.</li></ul>	<ul style="list-style-type: none"><li>• Sureguliuokite kojeles, kad sulygiuotumėte prietaisą.</li><li>• Pašalinkite aplink prietaisą esančius objektus.</li></ul>
Prietaiso viduje nėra pakankamai šalta.	<ul style="list-style-type: none"><li>• Nustatyta per aukšta temperatūra. Šaldytuve laikomi pernelyg šilti maisto produktai.</li><li>• Vienu metu laikoma per daug maisto produktų.</li><li>• Produktai sudėti pernelyg arti vienas kito.</li><li>• Nesandariai uždarytos prietaiso durelės ir (arba) stalčius.</li><li>• Durelės ir (arba) stalčius buvo atidaromi per dažnai arba per ilgai.</li></ul>	<ul style="list-style-type: none"><li>• Nustatykite temperatūrą iš naujo.</li><li>• Prieš sudėdami produktus į šaldytuvą, visada juos atvėsinkite.</li><li>• Visada laikykite nedidelį maisto produktų kiekį.</li><li>• Palikite tarpus tarp maisto produktų, kad cirkuliuotų oras.</li><li>• Uždarykite duris ir (arba) stalčių.</li><li>• Neatidarinėkite durelių ir (arba) stalčiaus per dažnai.</li></ul>
Prietaiso viduje per šalta.	<ul style="list-style-type: none"><li>• Nustatyta per žema temperatūra. „Super-Frz“ / „Super-Cool“ funkcija įjungta arba veikia per ilgai.</li></ul>	<ul style="list-style-type: none"><li>• Nustatykite temperatūrą iš naujo.</li><li>• Išjunkite „Super-Frz“ / „Super-Cool“ funkciją.</li></ul>
Šaldytuvo skyriaus viduje susidaro drėgmė.	<ul style="list-style-type: none"><li>• Klimatas pernelyg šiltas ir per drėgnas.</li><li>• Nesandariai uždarytos prietaiso durelės ir (arba) stalčius.</li><li>• Durelės ir (arba) stalčius buvo atidaromi per dažnai arba per ilgai.</li><li>• Indai su maistu ar skysčiais palikti atidaryti.</li></ul>	<ul style="list-style-type: none"><li>• Padidinkite temperatūrą.</li><li>• Uždarykite duris ir (arba) stalčių.</li><li>• Neatidarinėkite durelių ir (arba) stalčiaus per dažnai.</li><li>• Palaukite, kol karštas maistas atvės iki kambario temperatūros ir uždenkite maistą bei skysčius.</li></ul>
Drėgmė kaupiasi ant šaldytuvo išorinio paviršiaus arba tarp durelių / durelių ir stalčiaus.	<ul style="list-style-type: none"><li>• Klimatas pernelyg šiltas ir per drėgnas.</li><li>• Durelės nėra sandariai uždarytos. Dėl šalto oro prietaiso viduje ir šilto oro išorėje susidaro kondensatas.</li></ul>	<ul style="list-style-type: none"><li>• Tai normalu drėgname klimate. Situacija pasikeis sumažėjus drėgmei.</li><li>• Įsitikinkite, kad durelės ir (arba) stalčius yra sandariai uždaryti.</li></ul>
Šaldiklio skyriuje susidarę daug ledo ir šerkšno.	<ul style="list-style-type: none"><li>• Produktai nebuvo tinkamai supakuoti.</li><li>• Nesandariai uždarytos prietaiso durelės ir (arba) stalčius.</li></ul>	<ul style="list-style-type: none"><li>• Visada gerai supakuokite produktus.</li><li>• Uždarykite duris ir (arba) stalčių.</li></ul>



Problema	Galima priežastis	Galimas sprendimas
	<ul style="list-style-type: none"> <li>Durelės ir (arba) stalčius buvo atidaromi per dažnai arba per ilgai.</li> <li>Durelių ir (arba) stalčiaus tarpiklis yra nešvarus, susidėvėjęs, įtrūkęs arba nesutampa jo priglundimas.</li> <li>Kažkas viduje trukdo tinkamai uždaryti duris ir (arba) stalčių.</li> </ul>	<ul style="list-style-type: none"> <li>Neatidarinėkite durelių ir (arba) stalčiaus per dažnai.</li> <li>Išvalykite durelių ir (arba) stalčiaus tarpiklius arba pakeiskite juos naujais.</li> <li>Pakeiskite lentynų, durelių lentynų ar vidinių talpyklų padėtį, kad būtų galima uždaryti dureles ir (arba) stalčių.</li> </ul>
Korpuso šonai ir durelių juosta sušyla.	<ul style="list-style-type: none"> <li>-</li> </ul>	<ul style="list-style-type: none"> <li>Tai normalu.</li> </ul>
Prietaisas skleidžia neįprastus garsus.	<ul style="list-style-type: none"> <li>Prietaisas pastatytas ant nelygaus paviršiaus.</li> <li>Prietaisas liečia šalia jo esantį objektą.</li> </ul>	<ul style="list-style-type: none"> <li>Sureguliuokite kojeles, kad sulygiuotumėte prietaisą.</li> <li>Pašalinkite aplink prietaisą esančius objektus.</li> </ul>
Girdimas nežymus garsas, primenantis tekančio vandens garsą.	<ul style="list-style-type: none"> <li>-</li> </ul>	<ul style="list-style-type: none"> <li>Tai normalu.</li> </ul>
Girdimas signalo pypsėjimas.	<ul style="list-style-type: none"> <li>Šaldytuvo skyriaus durelės atidarytos.</li> </ul>	<ul style="list-style-type: none"> <li>Uždarykite duris.</li> </ul>
Girdimas silpnas ūžesys.	<ul style="list-style-type: none"> <li>Veikia antikondensacinė sistema.</li> </ul>	<ul style="list-style-type: none"> <li>Ji apsaugo nuo kondensacijos ir tai yra normalus reiškinys.</li> </ul>
Vidaus apšvietimo ar aušinimo sistema neveikia.	<ul style="list-style-type: none"> <li>Maitinimo kištukas neįjungtas į elektros lizdą.</li> <li>Netinkamai tiekiamas maitinimas.</li> <li>Nebeveikia šviesos diodo lemputė.</li> </ul>	<ul style="list-style-type: none"> <li>Prijunkite maitinimo kištuką.</li> <li>Patikrinkite, ar į patalpą tiekama elektros energija. Skambinkite vietos elektros energijos tiekimo įmonei!</li> <li>Norėdami pakeisti lemputę, kreipkitės į techninės priežiūros tarnybą.</li> </ul>
Iš vandens tiekimo įrenginio snapelio teka arba laša vanduo.	<ul style="list-style-type: none"> <li>Netinkamai įstatyta vandens talpykla</li> <li>Vandens tiekimo įrenginio snapelis nėra priveržtas prie talpyklos.</li> <li>Vandens snapelyje nėra balto silikoninio O formos žiedo.</li> </ul>	<ul style="list-style-type: none"> <li>Iš naujo įstatykite vandens talpyklą į šaldytuvo duris ir įsitikinkite, kad ji visiškai įstumta į duris.</li> <li>Tvirtai priveržkite vandens snapelį prie vandens talpyklos.</li> <li>Prieš pritvirtindami vandens snapelį prie vandens talpyklos, patikrinkite, ar talpyklos galinėje dalyje yra baltas silikoninis O formos žiedas.</li> </ul>



Norėdami susisiekti su techninės pagalbos tarnyba, apsilankykite mūsų svetainėje:

<https://corporate.haier-europe.com/en/>

Skiltyje „svetainė“ pasirinkite savo gaminio prekės ženklą ir šalį. Būsite nukreipti į konkrečią svetainę, kurioje rasite telefono numerį ir formą, skirtą susisiekti su technine pagalba.

### Elektros energijos tiekimo nutraukimas

Nutrūkus elektros energijos tiekimui, maistas turėtų išlikti saugiai šaltas apie 5 valandų.

Elektros energijos tiekimui nutrūkus ilgesnį laiką, ypač vasarą, vadovaukitės toliau išvardytais patarimais.

- ▶ Atidarinkite duris ir (arba) stalčių kuo rečiau.
- ▶ Nutrūkus elektros energijos tiekimui, nedėkite į prietaisą papildomų maisto produktų.
- ▶ Jei apie elektros energijos tiekimo nutraukimą pranešama iš anksto ir jis trunka ilgiau nei 5 valandų, pasigaminkite ledo ir sudėkite jį į šaldytuvo skyriaus viršuje esantį indą.
- ▶ Nutrūkus elektros energijos tiekimui maisto produktus reikia nedelsiant apžiūrėti.
- ▶ Kadangi nutrūkus elektros tiekimui ar įvykus kitam gedimui temperatūra šaldytuve pakyla, sumažėja maisto produktų laikymo trukmė ir jų valgomoji kokybė. Siekiant išvengti pavojaus sveikatai, bet kokius atitirpusius maisto produktus reikia suvartoti arba ilgai nedelsiant išvirti ir vėl užšaldyti (jei tinka).



### **PASTABA. Atminties funkcija nutrūkus elektros energijos tiekimui**

Atkūrus elektros energijos tiekimą, prietaisas veikia tais pačiais nustatymais, kurie buvo naudojami prieš sutrinkant elektros energijos tiekimui.



## Išpakavimas



### ĮSPĖJIMAS!

- ▶ Prietaisas yra sunkus. Jam perkelti visada reikės dviejų asmenų.
- ▶ Laikykite visas pakavimo medžiagas vaikams nepasiekiamoje vietoje ir išmeskite aplinkai nekenksmingu būdu.
- ▶ Išimkite prietaisą iš pakuotės.
- ▶ Nuimkite visas pakavimo medžiagas.

## Aplinkos sąlygos

Patalpos temperatūra visada turėtų būti nuo 10 °C iki 43 °C, nes ji gali turėti įtakos temperatūrai prietaiso viduje ir jo suvartojamos energijos kiekiui. Neįrenkite prietaiso šalia kitų neizoliuotų šilumą skleidžiančių prietaisų (orkaičių, šaldytuvų).

- Išplėstinė vidutinių platumų (SN): šis prietaisas skirtas naudoti aplinkos temperatūroje nuo 10 iki 32 °C.
- Vidutinių platumų (N): šis prietaisas skirtas naudoti aplinkos temperatūroje nuo 16 °C iki 32 °C.
- Subtropinė (ST): šis prietaisas skirtas naudoti aplinkos temperatūroje nuo 16 iki 38 °C.

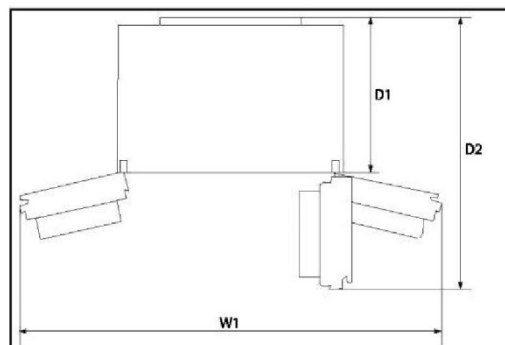
## Erdvės reikalavimai

Reikalinga erdvė atidarius dureles:

W1 = 157,8 cm

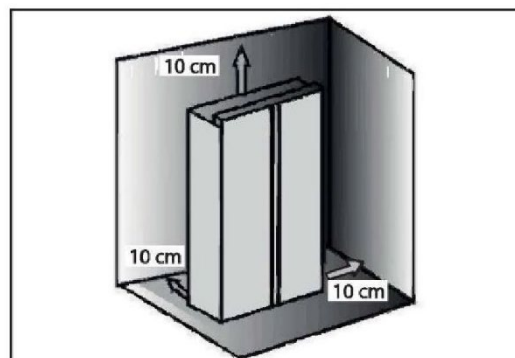
D1 = 62,9 cm

D2 = 117,5 cm



## Ventiliacijos skerspjūvis

Siekiant užtikrinti pakankamą prietaiso ventiliaciją saugos sumetimais, būtina atkreipti dėmesį į informaciją apie ventiliacijos skerspjūvius.

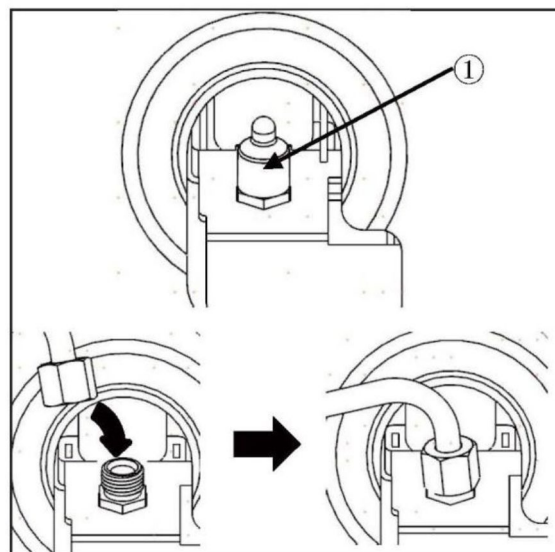


## PASTABA

Laisvai pastatomam prietaisui: šis šaldytuvas nėra pritaikytas įmontuoti.

## Vandens prijungimas prie prietaiso

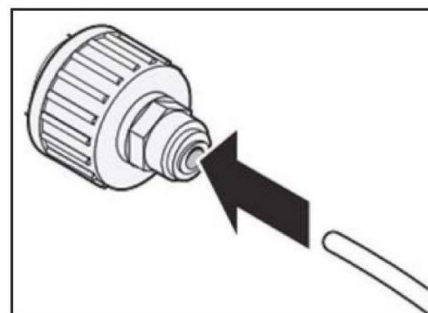
1. Nuimkite guminį kamštį (1) nuo vandens įsiurbimo vožtuvo.
2. Tvirtai užstumkite vandens vamzdelį ant vandens įsiurbimo vožtuvo ir priveržkite žiedinę veržlę. Šį vandens vamzdelį reikia perpjauti per pusę, vieną iš dalių naudoti, o kitą pasilikti kaip atsarginę dalį.



## Prijungimas prie vandens čiaupo

Ši funkcija galima tik kai kuriuose modeliuose.

1. Įstumkite vandens vamzdelį į čiaupo jungties, pateiktos su priedais, angą. Užstumiant jungtį ant vamzdelio, jį reikia tvirtai prilaikyti.
  2. Prieš užsukdami čiaupo jungtį ant čiaupo, įsitikinkite, kad jos viduje įtaisyta guminė poveržlė.
- ▶ Jei čiaupo jungtis neatitinka pateiktos jungties sriegio dydžio, gali tekti įsigyti kitą jungtį arba adapterį.



## Vandens jungties tikrinimas

Ši funkcija galima tik kai kuriuose modeliuose.

- ▶ Įjunkite vandens tiekimą ir įjunkite prietaisą. Atidžiai patikrinkite, ar jungiamosios detalės yra sandarios ir ar nėra netinkamai pritvirtintų žarnų.
- ▶ Nuspauskite ir palaikykite mygtuką „3Sec. Filter Reset“ tris sekundes. Aktyvinamas naujasis vandens filtras.
- ▶ Pastatykite puodelį po vandens tiekimo įrenginiu, kad patikrintumėte, ar prietaisu teka vanduo.
- ▶ Dar kartą patikrinkite, ar jungiamasis vamzdelis ir jungtys yra sandarūs.



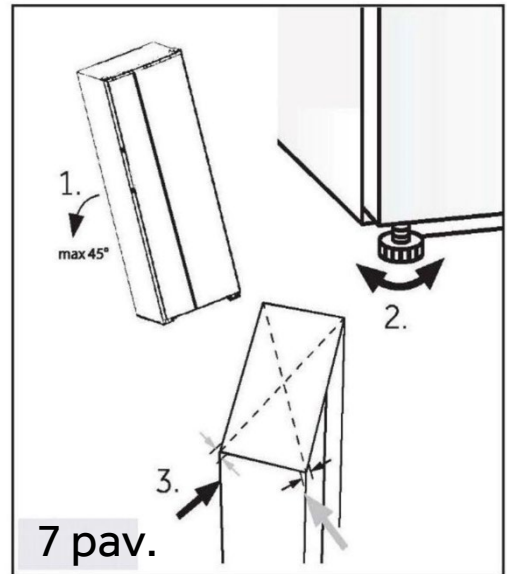
## ĮSPĖJIMAS!

- ▶ Visada užtikrinkite, kad jungtys būtų tvirtos, sausas ir be nuotėkio.
- ▶ Įsitikinkite, kad žarna nėra sutraiškita, sulenkta ar susisukusi.

### Prietaiso sulygiavimas

Prietaisą reikia statyti ant lygaus ir vientiso paviršiaus.

1. Šiek tiek pakreipkite prietaisą atgal (7 pav.).
2. Nustatykite pageidaujimą kojelių lygį. Įsitikinkite, kad atstumas iki sienos vyrių šonuose yra bent 10 cm.
3. Stabilumą galima patikrinti pakaitomis patrankant įstrižaines dalis. Nežymus susvyravimas turi būti vienodas abiejose pusėse. Priešingu atveju rėmas gali deformuotis, dėl to durelių sandarikliai gali tapti nesandarūs. Nedidelis pasvyrimas atgal palengvina durelių uždarymą.

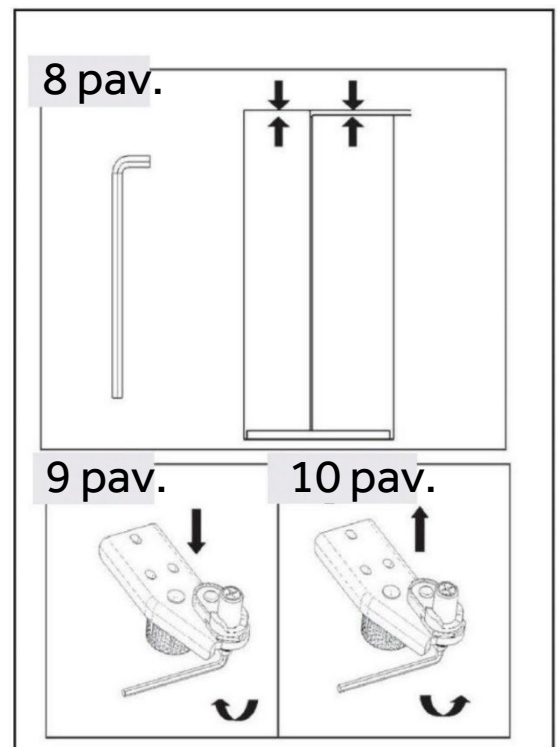


### Tikslus durelių sureguliojimas

Jei išlyginus dureles kojomis duralės vis dar nėra viename lygyje, šį neatitikimą galima pašalinti veržliarakčiu pasukant veleną dešiniame apatiniame šaldymo durelių kampe (8 pav.).

Pagal laikrodžio rodyklę pasukite kėlimo veleną veržliarakčiu, kad sumažintumėte durelių aukštį (9 pav.).

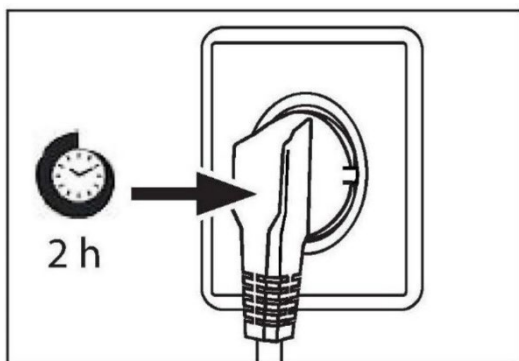
Prieš laikrodžio rodyklę pasukite kėlimo veleną veržliarakčiu, kad padidintumėte durelių aukštį (10 pav.).





## ĮSPĖJIMAS!

Nestatykite vyrių kėlimo veleno per aukštai, nes dėl to velenas gali pasitraukti iš pradinės fiksavimo padėties. (Reguliuojamo aukščio diapazonas: 3 mm)



### Laukimo laikas

Kompresoriaus kapsulėje yra priežiūros nereikalaujančios tepalinės alyvos. Transportuojant prietaisą nuožulniai, ši alyva gali pratekėti per uždara vamzdžių sistemą. Prieš prijungdami prietaisą prie maitinimo šaltinio, palaukite 2 valandas, kol alyva sutekės atgal į kapsulę.

### Elektros jungtis

#### Prieš kiekvieną prijungimą patikrinkite, ar:

- ▶ maitinimo šaltinis, lizdas ir saugiklis yra tinkami pagal techninių duomenų lentelę;
- ▶ maitinimo lizdas yra įžemintas ir nenaudojami kelių kištukų įtaisai ar ilgintuvai;
- ▶ maitinimo kištukas ir lizdas tiksliai sutampa.

Prijunkite kištuką prie tinkamai įrengto buitinio lizdo.



## ĮSPĖJIMAS!

Siekiant išvengti rizikos, pažeistą maitinimo laidą turi pakeisti klientų aptarnavimo skyrius (žr. garantinę kortelę).

### Durelių nuėmimas ir uždėjimas

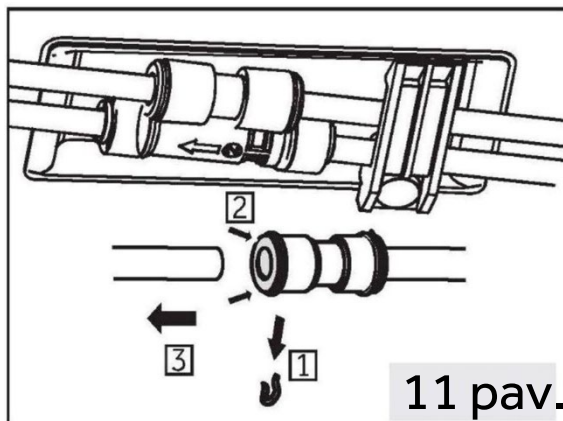
Jei reikia nuimti prietaiso dureles, vadovaukitės toliau pateiktomis durelių nuėmimo ir uždėjimo instrukcijomis.



## ĮSPĖJIMAS!

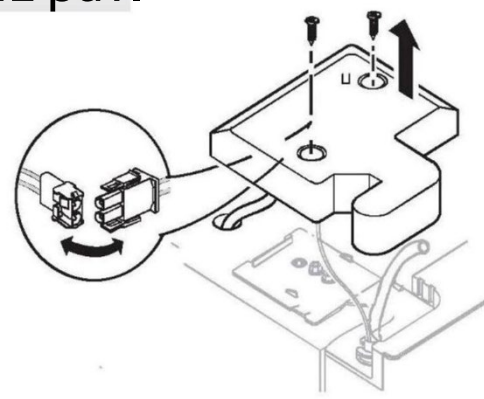
- ▶ Prieš atlikdami bet kokią operaciją, išjunkite prietaisą ir ištraukite maitinimo kištuką iš elektros lizdo.
- ▶ Užblokuokite vandens tiekimą.
- ▶ Prietaisas yra sunkus. Jam perkelti visada reikės dviejų asmenų.
- ▶ Nepakreipkite prietaiso daugiau nei 45 kampu ir nedėkite jo horizontaliai ant žemės.
- ▶ Durelės gali nuvirsti ir sužaloti žmones arba būti sugadintos atliekant šiuos veiksmus, atkreipkite daugiau dėmesio nuimdami ir uždėdami dureles.

1. Atleiskite kairiąją dviejų vandens jungčių pusę priekiniame kairiajame kampe prietaiso apačioje: paspauskite ir laikykite spaustuką, kaip parodyta, ir nuimkite vandens vamzdį (11 pav.).



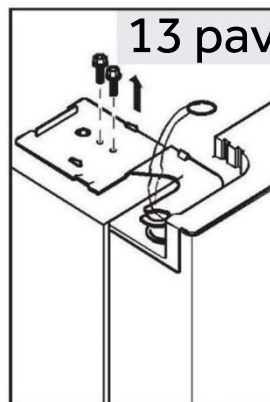
2. Atsukite vyro dangtelio varžtą ir nuimkite dangtelį (12 pav.). Nuimdami šaldiklio dureles, atjunkite visus laidus, išskyrus įžeminimo laidą.

12 pav.

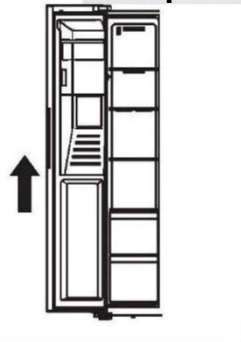


3. Atsukite varžtus, laikančius viršutinį vyrį, tada nuimkite vyrį (13 pav.).
4. Pakelkite dureles, norėdami jas nuimti (14 pav.). Nuimdami šaldiklio dureles, pakelkite jas pakankamai aukštai, kad ištrauktumėte vandens jungtį iš prietaiso apačios.
5. Uždėkite dureles atgal, atlikdami tuos pačius žingsnius atvirkštine tvarka. Įsitinkite, kad įžeminimo laidas pritvirtintas varžtu.
6. Vėl pritvirtinkite vandens jungtį.

13 pav.



14 pav.




## PASTABA. Šaldytuvo durelės

Šaldiklio skyriaus durelių nuėmimas parodytas iliustracijose. Šaldytuvo durelėms naudokite atitinkamas kitos pusės dalis.



Gaminio aprašas pagal ES reglamentą Nr. 2019/2016

Prekės ženklas	„Haier“
Modelio pavadinimas / identifikatorius	HSW59F18DIMM HSW79F18DIPT
Modelio kategorija	Šaldytuvas-šaldiklis
Energijos efektyvumo klasė	D
Metinis energijos suvartojimas (kWh per metus) <sup>(1)</sup>	267
Bendras tūris (l)	601
Šaldytuvo tūris (l)	391
Šaldiklio tūris (l)	206
Ledo laikymo talpos tūris (2*) (l)	4
Įvertinimas žvaigždutėmis	
Kitų skyrių temperatūra >14 °C	Netaikoma
Bešerkšnė sistema	Taip
Šaldymo pajėgumas (kg/24 val.)	10
Klimato klasė <sup>(2)</sup>	SN-N-ST
Skleidžiamo triukšmo klasė ir akustinio triukšmo lygis (dB(A) re 1pW)	C(36)
Temperatūros kilimo laikas (val.)	5
Ledukų gaminimo pajėgumas	0,8 kg/24 val.
Prietaiso tipas	Laisvai pastatomas



### Paaiškinimai:

- Taip, ši funkcija yra
- (1) Remiantis atitiktis standartams 24 valandų bandymo rezultatais. Faktinės sąnaudos priklauso nuo prietaiso naudojimo ir vietos.
  - (2) Klimato klasė SN: šis prietaisas skirtas naudoti aplinkos temperatūrai esant nuo +10 °C iki +32 °C.  
Klimato klasė N: šis prietaisas skirtas naudoti aplinkos temperatūrai esant nuo +16 °C iki +32 °C.  
Klimato klasė ST: šis prietaisas skirtas naudoti aplinkos temperatūrai esant nuo +16 °C iki +38 °C.

### Papildomi techniniai duomenys

Įtampa / dažnis	220–240 V~ / 50 Hz
Įvesties srovė (A)	1,8
Atitirpinimo įvesties galia (W)	220
Pagrindinis saugiklis (A)	15
Aušinimo skystis	R600a
Matmenys (A/P/G mm)	1775/905/726



Rekomenduojame naudotis „Haier“ klientų aptarnavimo paslaugomis ir naudoti originalias atsargines dalis.

Jei kilo problemų su prietaisu, pirmiausia peržiūrėkite skyrių TRIKČIŲ ŠALINIMAS.

Jei nerandate sprendimo, kreipkitės į

- ▶ vietos prekybos atstovą arba
- ▶ mūsų Europos skambučių aptarnavimo centre (žr. toliau išvardytus telefono numerius) arba
- ▶ apsilankykite techninės priežiūros ir pagalbos skyriuje adresu [www.haier.com](http://www.haier.com), kur galėsite aktyvuoti techninės priežiūros paraišką
- ▶ ir rasti DUK.

Norėdami susisiekti su mūsų techninės priežiūros skyriumi, įsitikinkite, kad turite toliau nurodytus duomenis.

Informaciją galima rasti techninių duomenų lentelėje.

Modelis \_\_\_\_\_

Serijos nr. \_\_\_\_\_

Garantijos klausimais taip pat peržiūrėkite su gaminiu pateiktą garantijos kortelę.

Europos skambučių aptarnavimo centras		
Šalis*	Telefono numeris	Kainos
Haier Italy (IT)	199 100912	
Haier Spain (ES)	902 509 123	
Haier Germany (DE)	0180539 39 99	<ul style="list-style-type: none"><li>• 14 ct/min. fiksuotojo ryšio numeris</li><li>• Maks. 42 ct/min. mobiliojo ryšio numeris</li></ul>
Haier Austria (AT)	0820 001 205	<ul style="list-style-type: none"><li>• 14,53 ct/min. fiksuotojo ryšio numeris</li><li>• Maks. 20 ct/min. visi kiti</li></ul>
Haier United Kingdom (UK)	0333 003 8122	
Haier France (FR)	0980 406 409	





\* Kitų šalių informacijos pateikta svetainėje adresu [www.haier.com](http://www.haier.com)

Haier Europe Trading S.r.l  
Filialas Jungtinėje Karalystėje  
Westgate House, Westgate, Ealing  
London, W5 1YY

\* Šaldymo įrenginio garantijos galiojimo laikas:

Minimali garantijos trukmė yra: 2 metai ES šalyse, 3 metai Turkijoje, 1 metai JK, 1 metai Rusijoje, 3 metai Švedijoje, 2 metai Serbijoje, 5 metai Norvegijoje, 1 metai Maroke, 6 mėnesiai Alžyre, Tunise teisinės garantijos nereikia.

\* Prietaiso remonto atsarginių dalių laikotarpis:

Termostatus, temperatūros jutiklius, spausdintines plokštes ir šviesos šaltinius galima įsigyti ne trumpiau kaip septynerius metus nuo paskutinio modelio įrenginio pateikimo į rinką. Durelių rankenos, durelių vyriai, padėklai ir krepšiai – ne trumpiau kaip septynerius metus, o durelių tarpikliai – ne trumpiau kaip 10 metų nuo paskutinio modelio įrenginio pateikimo į rinką.

\* Norėdami gauti daugiau informacijos apie gaminį, apsilankykite <https://eprel.ec.europa.eu/> arba nuskaitykite QR, esantį su prietaisu pateiktoje energijos efektyvumo etiketėje.



Drošības informācija .....	534
Paredzētā lietošana .....	539
Produkta apraksts .....	540
Vadības panelis.....	541
Lietošana .....	542
Aprīkojums.....	555
Kopšana un tīrīšana .....	557
Problēmu novēršana .....	562
Uzstādīšana.....	566
Tehniskie dati.....	571
Klientu apkalpošanas dienests .....	573



Paldies!

## Paldies, ka iegādājāties Haier produktu.

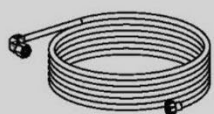
Pirms šīs ierīces lietošanas, lūdzu, uzmanīgi izlasiet šos norādījumus. Norādījumi satur svarīgu informāciju, kas jums palīdzēs ierīci izmantot visefektīvākajā veidā un garantēs drošu un pareizu uzstādīšanu, lietošanu un apkopi.

Glabājiet šo rokasgrāmatu ērti pieejamā vietā, lai jūs vienmēr varētu to izmantot kā atsauci drošai un pareizai ierīces lietošanai.

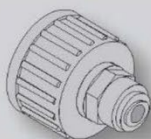
Ja ierīci pārdodat, atdodat vai atstājat iepriekšējā dzīvesvietā, neaizmirstiet jaunajam īpašniekam nodot arī šo rokasgrāmatu, lai viņš varētu iepazīties ar ierīci un izlasīt drošības brīdinājumus.

## Piederumi

Pārbaudiet piederumus un dokumentāciju saskaņā ar šo sarakstu:



\*Ūdensvads



\*Ūdens savienotājs



Energoefektivitātes uzlīme



Garantijas karte



Īsa pamācība



**BRĪDINĀJUMS** — svarīga drošības informācija



**PAZIŅOJUMS** — vispārīga informācija  
un padomi



**Vides informācija**



### Utilizācija

Palīdziet aizsargāt vidi un cilvēku veselību. Ievietojiet iepakojumu atbilstošajos konteineros, lai nodrošinātu tā pārstrādi. Palīdziet pārstrādāt elektrisko un elektronisko ierīču atkritumus. Neizmetiet ar šo simbolu apzīmētās ierīces kopā ar sadzīves atkritumiem. Nododiet produktu atpakaļ vietējā pārstrādes uzņēmumā vai sazinieties ar pašvaldības biroju.



## BRĪDINĀJUMS!

Traumu vai nosmakšanas risks!

Aukstumaģentu un gāzu utilizācija ir jāveic profesionāļiem. Pārlicinieties, vai aukstumaģenta kontūra caurules nav bojātas, pirms tās tiek pareizi utilizētas. Atvienojiet ierīci no elektrotīkla. Atvienojiet elektrotīkla kabeli un atbrīvojieties no tā. Izņemiet paplātes un atvilktnes, kā arī durvju aizbīdņus un blīves, lai nepieļautu bērnu un mājdzīvnieku ieslēgšanu ierīcē.

## Pirms ierīci ieslēdzat pirmoreiz, izlasiet šos drošības norādījumus!



### BRĪDINĀJUMS!

#### Pirms pirmās lietošanas reizes

- ▶ Pārliecinieties, vai nav nekādu bojājumu, kas radušies transportēšanas laikā.
- ▶ Noņemiet visu iepakojumu un nolieciet to bērniem nepieejamā vietā.
- ▶ Pirms ierīces uzstādīšanas nogaidiet vismaz divas stundas, lai aukstumaģenta kontūrs būtu pilnībā efektīvs.
- ▶ Ierīce jānes un jāpārvieta vismaz diviem cilvēkiem, jo tā ir smaga.

#### Uzstādīšana

- ▶ Ierīce jānovieto labi vēdināmā vietā. Virs ierīces un ap to ir jābūt vismaz 10 cm atstarpei.
- ▶ Nekādā gadījumā nenovietojiet ierīci mitrā vietā vai vietā, kur to varētu apšļakstīt ūdens. Ūdens šļakatas noslaukiet un traipus notīriet ar mīkstu, tīru drānu.
- ▶ Neuzstādiet ierīci tiešā saules gaismā vai siltuma avotu (piemēram, krāsns, sildītāja) tuvumā.
- ▶ Uzstādiet un nolīmeņojiet ierīci tās izmēram un lietošanas mērķim piemērotā vietā.
- ▶ Ventilācijas atveres ierīces korpusā vai iebūvētajā konstrukcijā nedrīkst būt nosprostotas.
- ▶ Pārliecinieties, vai informācija par elektrību uz datu plāksnītes atbilst barošanas avotam. Ja tā neatbilst, sazinieties ar elektrotehniķi.
- ▶ Ierīces barošanu nodrošina 220–240 V maiņstrāva ar 50 Hz frekvenci. Anormālu sprieguma svārstību gadījumā ierīce var neieslēgties, var tikt radīti temperatūras regulatora vai kompresora bojājumi vai ierīces darbības laikā var būt dzirdami neparasti trokšņi. Šādā gadījumā ir jāuzstāda automātiskais regulators.
- ▶ Neizmantojiet vairāku kontaktdakšu adapterus un pagarinātājkabeļus.
- ▶ Ierīces aizmugurē nenovietojiet vairākas pārnēsājamās kontaktligzdas vai pārnēsājamās barošanas blokus.
- ▶ Pārliecinieties, ka ledusskapis nav nosprostojis barošanas kabeli. Nekāpiet uz barošanas kabeļa.



## BRĪDINĀJUMS!

- ▶ Barošanai izmantojiet atsevišķu zemētu kontaktligzdu, kas ir viegli pieejama. Ierīcei jābūt sazemētai.  
Tikai Apvienotajai Karalistei: ierīces barošanas kabelis ir aprīkots ar 3 vadu (zemējuma) kontaktdakšu, kas atbilst standarta 3 vadu (zemētai) kontaktligzdai. Nekad neatvienojiet un nenoņemiet trešo tapiņu (zemējumu). Pēc ierīces uzstādīšanas kontaktdakšai ir jābūt pieejamai.
- ▶ Nesabojājiet aukstumaģenta kontūru.

### Ikdienas lietošana

- ▶ Šo ierīci drīkst lietot personas no 8 gadu vecuma un personas ar ierobežotām fiziskām, sensorām vai garīgām spējām vai bez pieredzes un zināšanām, ja vien tās tiek uzraudzītas vai tām ir sniegti norādījumi par ierīces lietošanu drošā veidā un tās saprot ar to saistītos riskus.
- ▶ Bērni vecumā no 3 līdz 8 gadiem drīkst ledusskapī ievietot un no tā izņemt produktus, bet nedrīkst ierīci tīrīt un uzstādīt.
- ▶ Bērni, kas jaunāki par 3 gadiem, ierīci drīkst izmantot tikai pastāvīgā pieaugušo uzraudzībā.
- ▶ Bērni nedrīkst spēlēt ar ierīci.
- ▶ Ja ierīces tuvumā ir notikusi deggāzes vai citas viegli uzliesmojošas gāzes noplūde, izslēdziet izplūstošās gāzes vārstu, atveriet durvis un logus un neatvienojiet no elektrotīkla ledusskapja vai jebkuras citas ierīces barošanas kabeli.
- ▶ Ņemiet vērā, ka ierīce ir iestatīta darbam noteiktā apkārtējās vides temperatūras diapazonā no 10 °C līdz 38 °C. Ierīce var nedarboties pareizi, ja tā tiek ilgstoši atstāta temperatūrā, kas pārsniedz norādīto diapazonu vai ir zemāka par to.
- ▶ Nenovietojiet nestabilus priekšmetus (smagus priekšmetus, ar ūdeni piepildītus traukus) uz ledusskapja virsmas, lai izvairītos no traumām, ko var izraisīt priekšmetu nokrišana, vai elektriskās strāvas trieciena, saskaroties ar ūdeni.
- ▶ Nevelciet aiz durvju plauktiem. Durvis var sašķiebties, pudeļu statīvs var izkrist, vai ierīce var apgāzties.
- ▶ Durvis atveriet un aizveriet tikai aiz rokturiem. Atstarpe starp durvīm, kā arī starp durvīm un plauktu ir ļoti šaura. Nelieciet šajās vietās rokas, lai nesaspiestu pirkstus. Atveriet un aizveriet ledusskapja durvis tikai tad, ja durvju kustības zonā neatrodas bērni.



## BRĪDINĀJUMS!

- ▶ Neuzglabājiet un nelietojiet uzliesmojošus, sprādzienbīstamus vai kodīgus materiālus ierīcē vai tās tuvumā.
- ▶ Ierīcē neglabājiet zāles, baktērijas vai ķīmiskos līdzekļus. Šī ir mājsaimniecības ierīce. Nav ieteicams tajā uzglabāt materiālus, kuriem nepieciešama stingri noteikta temperatūra.
- ▶ Saldētavā nekad neglabājiet pudelēs vai bundžās pildītus šķidrumus (izņemot alkoholiskos dzērienus ar augstu spirta saturu) un jo īpaši gāzētos dzērienus, jo, šķidrumam sasalstot, šie trauki plīsīs.
- ▶ Ja saldētavā ir notikusi temperatūras paaugstināšanās, pārbaudiet pārtikas produktu stāvokli.
- ▶ Neiestatiet nevajadzīgi zemu temperatūru ledusskapja nodalījumā. Augstākajos plauktos temperatūra var būt zem nulles. Uzmanību! Pudeles var plīst.
- ▶ Nepieskarieties saldētiem produktiem ar mitrām rokām (valkājiet cimdus). Jo īpaši neēdiet sulas saldējumu tūlīt pēc tā izņemšanas no saldētavas. Pastāv piesalšanas vai čulgu veidošanās risks. PIRMĀ palīdzība: nekavējoties turiet skarto vietu zem tekoša auksta ūdens. Neraujiet piesalušo priekšmetu nost!
- ▶ Nepieskarieties ieslēgtas saldētavas iekšējai virsmai, jo īpaši ar mitrām rokām, jo rokas var piesalt pie virsmas.
- ▶ Strāvas padeves pārtraukuma gadījumā vai pirms tīrīšanas atvienojiet ierīci no elektrotīkla. Pirms ierīces atkārtotas ieslēgšanas nogaidiet vismaz 7 minūtes, jo bieža iedarbināšana var sabojāt kompresoru.
- ▶ Pārtikas uzglabāšanas nodalījumos neizmantojiet nekādas elektroierīces, izņemot tās, kuras ieteicis ražotājs. Apkope/tīrīšana
- ▶ Ja tīrīšanu un apkopi veic bērni, pārliecinieties, vai viņi tiek uzraudzīti.
- ▶ Pirms kārtējās apkopes veikšanas atvienojiet ierīci no elektrotīkla. Pirms ierīces atkārtotas ieslēgšanas nogaidiet vismaz 5 minūtes, jo bieža iedarbināšana var sabojāt kompresoru.





## BRĪDINĀJUMS!

- ▶ Atvienojot ierīci, velciet aiz kontaktdakšas, nevis kabeļa.
- ▶ Netīriet ierīci ar cietām sukām, stiepļu sukām, mazgāšanas pulveri, benzīnu, amilacetātu, acetonu un līdzīgiem organiskiem šķīdumiem, skābes vai sārma šķīdumiem. Tīriet ar īpašu ledusskapja mazgāšanas līdzekli, lai izvairītos no bojājumiem.
- ▶ Neskrāpējiet sarmu un ledu ar asiem priekšmetiem. Neizmantojiet aerosolus, elektriskās sildierīces, piemēram, sildītāju, matu žāvētāju, tvaika tīrītāju vai citus siltuma avotus, lai izvairītos no plastmasas detaļu sabojāšanas.
- ▶ Neizmantojiet nekādas mehāniskas ierīces vai citus atkausēšanas procesa paātrināšanas līdzekļus, izņemot tos, kurus ieteicis ražotājs.
- ▶ Ja barošanas vads ir bojāts, tas jānomaina ražotājam, tā klientu apkalpošanas dienesta pārstāvim vai līdzīgi kvalificētai personai, lai izvairītos no riska.
- ▶ Nemēģiniet patstāvīgi labot, izjaukt vai pārveidot ierīci. Lai veiktu remontu, sazinieties ar mūsu klientu apkalpošanas dienestu.
- ▶ Vismaz reizi gadā notīriet putekļus no iekārtas aizmugures, lai izvairītos no ugunsbīstamības, kā arī lielāka enerģijas patēriņa.
- ▶ Tīrīšanas laikā ierīci nedrīkst apsmidzināt vai skalot.
- ▶ Ierīces tīrīšanai neizmantojiet ūdens strūklu vai tvaiku.
- ▶ Nemazgājiet aukstus stikla plauktus karstā ūdenī. Krasas temperatūras izmaiņas var izraisīt stikla saplīšanu.

## Informācija par aukstumaģenta gāzi



### BRĪDINĀJUMS!

Ierīce satur uzliesmojošu aukstumaģentu IZOBUTĀNU (R600a). Pārlicinieties, vai aukstumaģenta kontūrs transportēšanas vai uzstādīšanas laikā nav bojāts. Aukstumaģenta noplūde var izraisīt aizdegšanos vai acu ievainojumus. Ja ir radies bojājums, turiet ierīci drošā attālumā no atklātiem uguns avotiem, kārtīgi izvēdiniet telpu, nepievienojiet elektrotīklam vai neatvienojiet no tā ierīces vai jebkuras citas ierīces strāvas vadus. Informējiet klientu apkalpošanas dienestu.

Ja aukstumaģents ir iekļuvis acīs, tās nekavējoties izskalojiet zem tekoša ūdens un sazinieties ar oftalmologu.



## Paredzētā lietošana

Šī ierīce ir paredzēta pārtikas dzesēšanai un sasaldēšanai. Tā ir paredzēta tikai mājstarpniecībām un līdzīgam pielietojumam, piemēram, darbinieku virtuves zonām veikalos, birojos un citās darba vidēs; lauku mājām un klientiem viesnīcās, moteļos un cita veida dzīvojamās vidēs, kā arī naktsmītņu un ēdināšanas biznesā. Tā nav paredzēta komerciālai vai rūpnieciskai lietošanai.

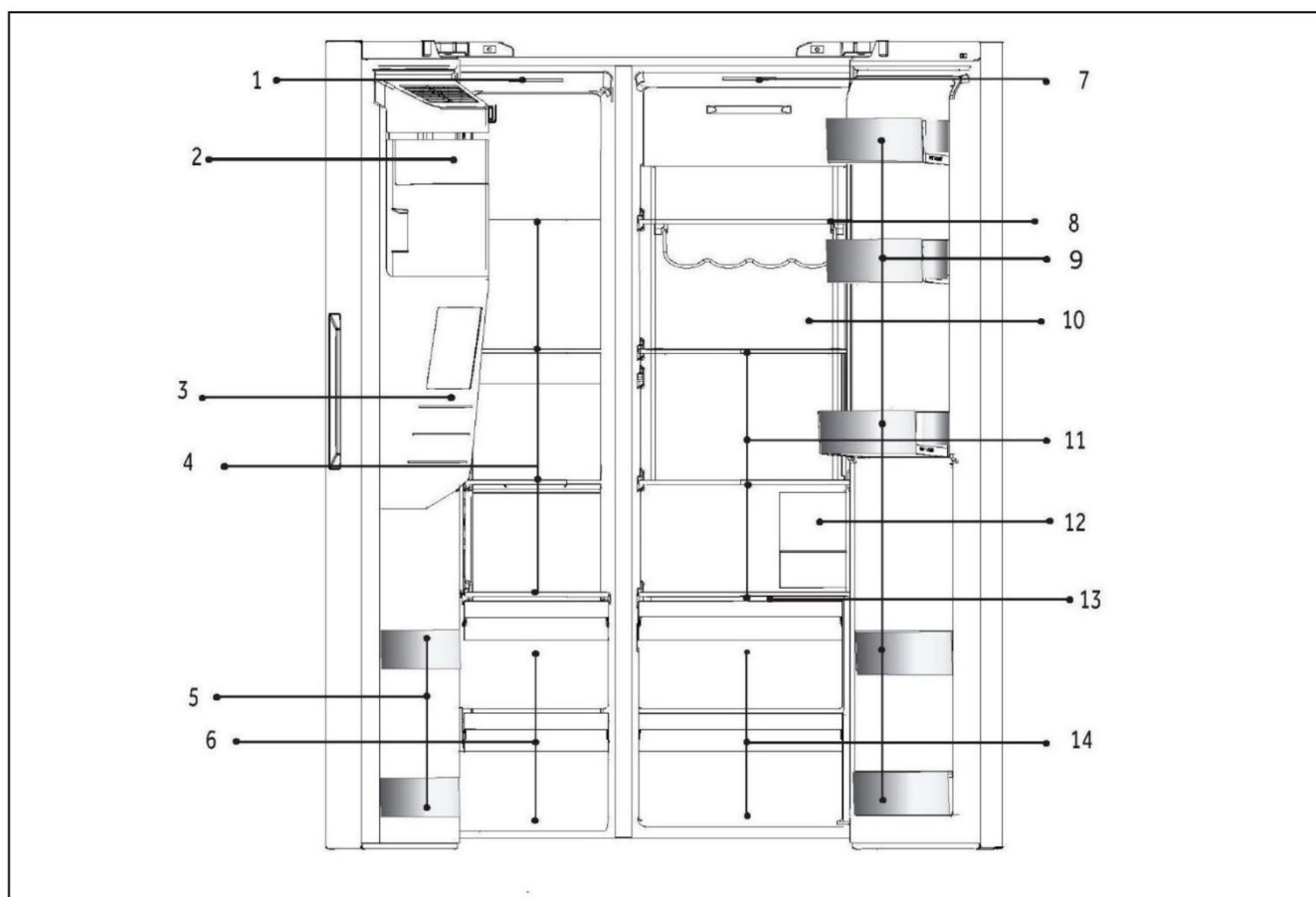
Nav atļauts veikt ierīces izmaiņas vai modifikācijas. Neatbilstoša lietošana var radīt apdraudējumu un anulēt garantiju.

## Standarti un direktīvas un

Šis produkts atbilst visu piemērojamo EK direktīvu prasībām ar atbilstošiem saskaņotajiem standartiem un AK standartiem, kas paredz CE un UKCA marķējumu.

## **i** Piezīme

Tehnisku izmaiņu un dažādu modeļu dēļ daži no šīs rokasgrāmatas attēliem var atšķirties no jūsu modeļa.



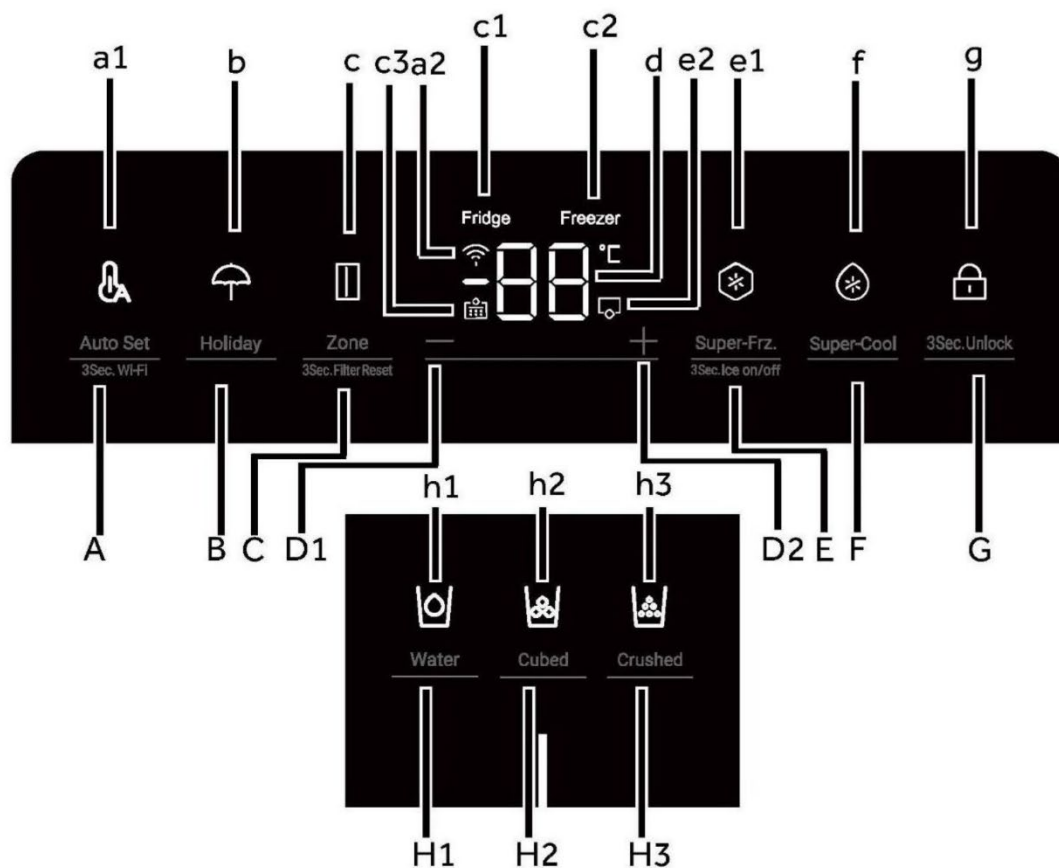
### A: Saldētavas nodalījums

- 1 Griestu apgaismojums
- 2 Ledus pagatavošanas ierīce ar ledus tvertni
- 3 Ūdens un ledus dozators
- 4 Stikla plaukti
- 5 Pudeļu turētājs
- 6 Atvilktnes

### B: Ledusskapja nodalījums

- 7 Griestu apgaismojums
- 8 Vīna plaukts
- 9 Pudeļu turētājs
- 10 Aizmugurējais apgaismojums (HSW79F18DIPT)
- 11 Stikla plaukti
- 12 Ūdens filtrs
- 13 Mitrās zonas vāka plāksne
- 14 Atvilktnes

## Vadības panelis



Taustiņi:

- A Auto Set funkcija /3 s.Wi-Fi
- B Funkcija Holiday
- C Zonas izvēle / 3Sec.Filter Reset
- D1 Temperatūras regulēšanas poga "-"
- D2 Temperatūras regulēšanas poga "+"
- E Funkcijas Super-Freeze/3Sec. Ice ieslēgšana/izslēgšana
- F Funkcija Super-Cool
- G Paneļa bloķēšanas pārslēgs
- H1 Ūdens ieplūdes funkcijas selektors
- H2 Ledus kubiņu funkcijas pārslēgs
- H3 Sasmalcināta ledus funkcijas pārslēgs

Indikatori:

- a1 Auto Set režīms
- a2 Wi-Fi funkcija
- b Holiday režīms
- c Zonas indikators
- c1 Ledusskapja indikators
- c2 Saldētavas indikators
- c3 Filtra atiestatīšanas funkcija
- d Temperatūras displejs
- e1 Super-Freeze režīms
- e2 Ledus automāta režīms
- f Super-Cool režīms
- g Paneļa bloķēšana
- h1 Ūdens uzņemšanas funkcija
- h2 Ledus kubiņu funkcija
- h3 Sasmalcināta ledus funkcija



### Pirms pirmās lietošanas reizes

- ▶ Noņemiet visus iepakojuma materiālus, glabājiet tos bērniem nepieejamā vietā un utilizējiet videi draudzīgā veidā.
- ▶ Pirms ēdiena ievietošanas nomazgājiet ierīces iekšpusi un ārpusi, izmantojot ar ūdeni un maigu mazgāšanas līdzekli.
- ▶ Pēc tam, kad ierīce ir nolīmeņota un izmazgāta, uzgaidiet vismaz 2–5 stundas, pirms to pieslēdzat barošanas avotam. Skatiet sadaļu UZSTĀDĪŠANA.
- ▶ Pirms pārtikas ievietošanas atdzesējiet nodalījumus, izmantojot augstus iestatījumus. Funkcija Power-Freeze palīdz ātri atdzesēt saldētavas nodalījumus.
- ▶ Ledusskapja un saldētavas nodalījumam automātiski tiek iestatīta attiecīgi 5 °C un -18 °C temperatūra. Šie ir ieteicamie iestatījumi. Ja vēlaties, varat manuāli mainīt šīs temperatūras. Lūdzu, skatiet sadaļu TEMPERATŪRAS REGULĒŠANA.

### Sensoru taustiņi

Vadības paneļa pogas ir sensoru taustiņi, kas reaģē, tiklīdz tām viegli pieskaraties ar pirkstu.

### Ierīces ieslēgšana/izslēgšana

Ierīce sāk darboties, tiklīdz tā ir pievienota barošanas avotam.

Parādītās temperatūras rāda iestatīto temperatūru nodalījumā.

Iespējams, ir aktīva paneļa bloķēšana.



### Piezīme

Ja ierīce tiek ieslēgta pēc atvienošanas no strāvas padeves avota, var paiet līdz 12 stundām, līdz tiek sasniegtas pareizās temperatūras.

Pirms izslēgšanas iztukšojiet ierīci. Lai izslēgtu ierīci, atvienojiet strāvas vadu no strāvas kontaktligzdas.

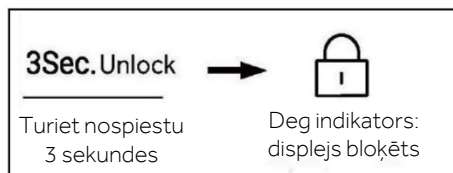


### PAZIŅOJUMS

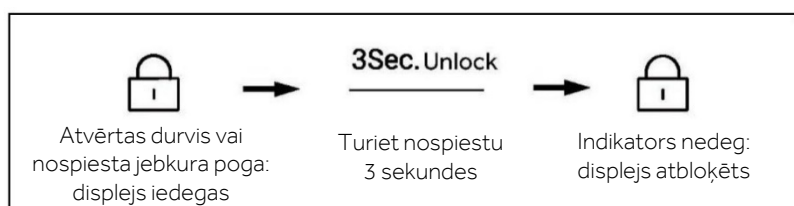
Pirmoreiz ieslēdzot ledusskapi, iedegas indikators. Ledusskapja un saldētavas nodalījumam automātiski tiek iestatīta attiecīgi 5 °C un -18 °C temperatūra.

## Bloķēšanas/atbloķēšanas panelis

1. Automātiskā bloķēšana: Kad ledusskapja durvis un saldētavas durvis ir aizvērtas un 30 sekunžu laikā netiek izmantots neviens taustiņš, displeja ekrāns automātiski nodziest un tiek bloķēts



2. Manuālā bloķēšana: Pēc displeja ekrāna atbloķēšanas nospiediet pogu "G" (paneļa bloķēšanas selektors) uz 3 sekundēm; vienreiz atskan signāls, iedegas indikators "g" (paneļa bloķēšana), un displejs ir bloķēts.



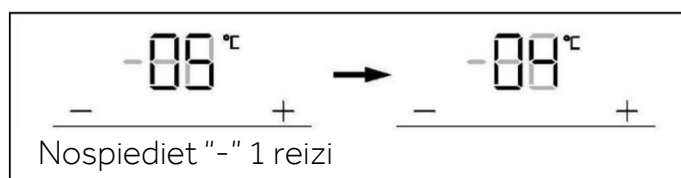
## Temperatūras regulēšana

Iekštelpu temperatūru ietekmē šādi faktori:

- ▶ apkārtējās vides temperatūra;
- ▶ durvju atvēršanas biežums;
- ▶ uzglabāto pārtikas produktu apjoms;
- ▶ ierīces uzstādīšana.

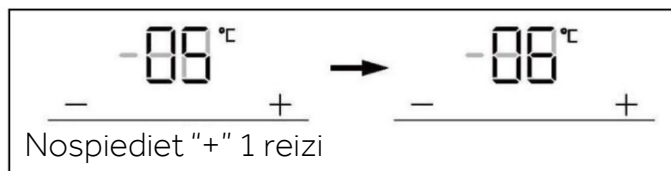
## Ledusskapja temperatūras regulēšana

1. Kad displeja ekrāns ir atbloķēts, nospiediet pogu "C" (zonas selektors). Vienreiz atskan zumbers, mirgo indikators "c1" (Ledusskapja indikators), tad parādās ledusskapja temperatūras iestatīšanas režīms.
2. Ik reizi, nospiežot pogu "D1" (Temperatūras regulēšanas poga "-"), vienreiz skan zumbers un ledusskapja iestatītā temperatūra tiek samazināta par 1. Ledusskapja temperatūra tiks parādīta šādā secībā: "9 °C > 8 °C > 7 °C > 6 °C > 5 °C > 4 °C > 3 °C > 2 °C > 1 °C".



### Ledusskapja temperatūras regulēšana

3. Iek reizi, nospiežot pogu "D2" (Temperatūras regulēšanas poga "+"), vienreiz skan zumburs un ledusskapja iestatītā temperatūra tiek samazināta par 1. Ledusskapja temperatūra tiek parādīta šādā secībā: "1 °C > 2 °C > 3 °C > 4 °C > 5 °C > 6 °C > 7 °C > 8 °C > 9 °C"

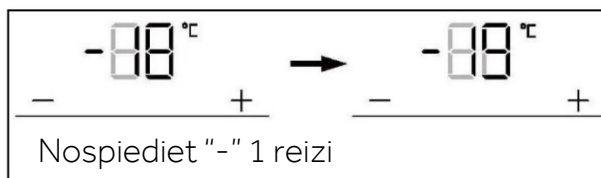


### Piezīme

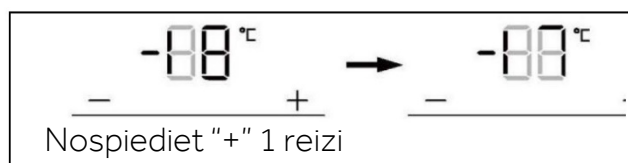
Ja pēc temperatūras iestatīšanas 5 sekunžu laikā nenotiek nekāda darbība, sistēma tiek automātiski noteikta un saglabā iestatīto temperatūru.

### Saldētavas temperatūras regulēšana

- Kad displeja ekrāns ir atbloķēts, nospiediet pogu "C" (zonas selektors). Zumburs atskan vienu reizi, indikators "c2" (Saldētavas indikators) mirgo, un tad parādās ledusskapja temperatūras iestatīšanas režīms.
- Nospiediet pogu "D1" (Temperatūras regulēšanas poga "-") katru reizi, skaņas signāls atskan vienu reizi, ledusskapja iestatītā temperatūra tiks samazināta par 1. Saldētavas temperatūra tiks parādīta šādā secībā: "-14 °C > -15 °C > -16 °C > -17 °C > -18 °C > -19 °C > -20 °C > -21 °C > -22 °C > -23 °C > -24 °C".



- Nospiediet pogu "D2" (Temperatūras regulēšanas poga "+") katru reizi, skaņas signāls atskan vienu reizi, saldētavas iestatītā temperatūra tiks palielināta par 1 vienību. Saldētavas temperatūra tiks parādīta šādā secībā: "-24 °C > -23 °C > -22 °C > -21 °C > -20 °C > -19 °C > -18 °C > -17 °C > -16 °C > -15 °C > -14 °C".

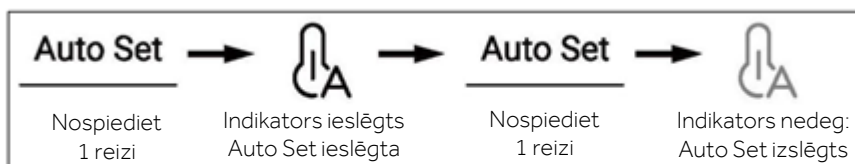


### Piezīme

Ja pēc temperatūras iestatīšanas 5 sekunžu laikā nenotiek nekāda darbība, sistēma tiek automātiski noteikta un saglabā iestatīto temperatūru.

## Auto Set režīms

1. Kad displeja ekrāns ir atbloķēts, nospiediet pogu "A" (Auto Set režīma selektors); vienreiz atskan zummers, iedegas indikators "a1" (Auto Set režīms) un pēc tam tiek ieslēgta Auto Set funkcija.
2. Kad iedegas indikators "a1" (Auto Set režīms), nospiediet pogu "A" (Auto Set režīma selektors), vienreiz atskan zummers, indikators "a1" (Auto Set režīms) nodziest, un pēc tam tiek izslēgta Auto Set funkcija



## Piezīme

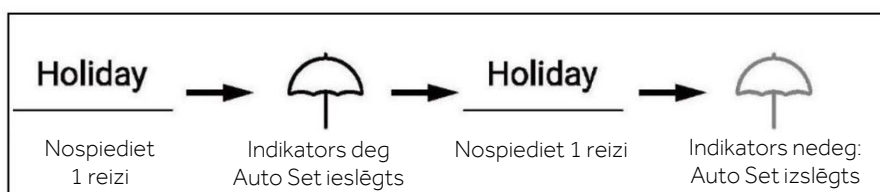
Auto Set režīmā ledusskapja vai sasaldšanas temperatūru nevar regulēt. Ja tiek nospiesta kāda no pogām "D1" (Temperatūras regulēšanas poga "-") vai "D2" (Temperatūras regulēšanas poga "+"), lai noregulētu ledusskapja vai saldētavas temperatūru, indikators "a1" (Auto Set indikators) mirgos ar tūlītēju skaņu, norādot, ka šo darbību nevar veikt.

Auto Set režīmā dažādu vadības metožu dēļ, ja ir iestatīta "Super-Cool", "Super-Freeze" vai funkcija "Holiday", indikators "a1" (Auto Set režīms) nodziest, un pēc tam Auto Set funkcija automātiski izslēdzas.

## Holiday režīms

Holiday režīms ir paredzēts, lai neizmantotu ledusskapi ilgu laiku. Ieslēdzot Holiday režīmu, saldētavai tiek nodrošināta normāla kontrole, un ledusskapja temperatūra tiek automātiski iestatīta uz 17 °C. Faktiskā temperatūra nav augstāka par 17 °C, kas novērš savdabīgu smaržu, ko izraisa pārkaršana, un vienlaikus palīdz samazināt enerģijas patēriņu.

1. Kad displeja ekrāns ir atbloķēts, nospiediet pogu "B" (Holiday režīma selektors), vienreiz atskanēs zummers, iedegsies indikators "b" (Holiday režīms) un pēc tam tiks ieslēgta Holiday funkcija.
2. Kad iedegas indikators "b" (Holiday režīms), nospiediet pogu "B" (Holiday režīma selektors), vienreiz atskanēs zummers, indikators "b" (Holiday režīms) nodzīs, un pēc tam brīvdienu funkcija Holiday tiks izslēgta





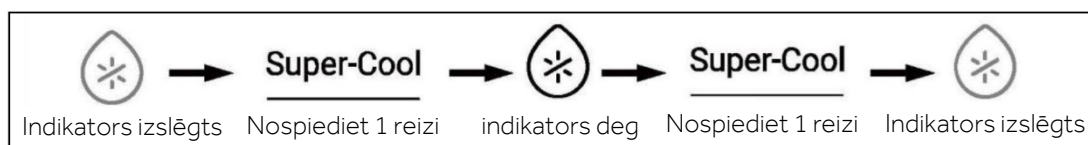
## Piezīme

Holiday stāvoklī ledusskapja temperatūru nevar regulēt. Ja tiek nospiesta poga "D1" (Temperatūras regulēšanas poga "-") vai "D2" (Temperatūras regulēšanas poga "+"), lai noregulētu ledusskapja temperatūru, indikators "b" (Holiday indikators) mirgos ar tūlītēju skaņu, norādot, ka šo darbību nevar veikt.

Pirms Holiday funkcijas izmantošanas, lūdzu, iztukšojiet ledusskapi, lai tajā nesabojātos ēdiens. Ja ir ieslēgta Holiday funkcija, vienlaicīgi nevar ieslēgt "Auto Set" funkciju vai "Super-Cool" funkciju.

### Funkcija Super-Cool

1. Kad displeja ekrāns ir atbloķēts, nospiediet pogu "F" (Super-Cool selektors), vienreiz atskan zummers, iedegas indikators "f" (Super-Cool funkcija) un pēc tam tiek ieslēgta Super-Cool funkcija.
2. Kad iedegas indikators "f" (Super-Cool funkcija), nospiediet pogu "F" (Super-Cool selektors); vienreiz atskan zummers, nodziest indikators "f" (Super-Cool funkcija), un pēc tam Super-Cool funkcija tiek izslēgta.
3. Pēc Super-Cool funkcijas ieslēgšanas ledusskapis automātiski izslēdz šo funkciju, kad sasniedz iestatīto stāvokli. Ja vēlaties manuāli izslēgt šo režīmu, varat nospiegt pogu "F" (Super-Cool selektors), lai to izslēgtu.



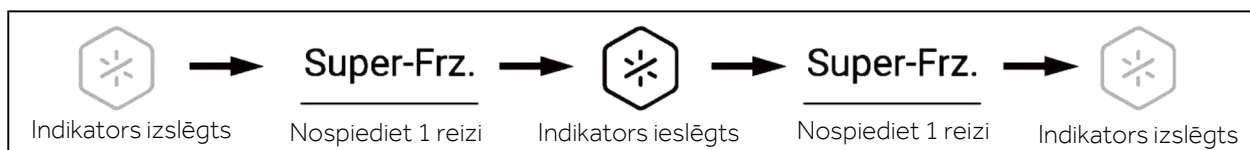
## Piezīme

Super-cool stāvoklī ledusskapja temperatūru nevar regulēt. Ja tiek nospiesta poga "D1" (Temperatūras regulēšanas poga "-") vai "D2" (Temperatūras regulēšanas poga "+"), lai noregulētu ledusskapja temperatūru, indikators "f" (Super-Cool indikators) mirgo ar tūlītēju skaņu, norādot, ka šo darbību nevar veikt.

Super-cool funkcijas stāvoklī nevar vienlaicīgi ieslēgt Auto-set vai Holiday funkciju dažādu vadības režīmu dēļ. Izvēloties vienu funkciju, kas konfliktē ar citu funkciju, sākotnējā funkcija automātiski izslēgsies.

## Super-Freeze funkcija (Super-Frz)

1. Kad displeja ekrāns ir atbloķēts, nospiediet pogu "E" (Super-Frz. selektors); vienreiz atskan zummers, iedegas indikators "e1" (Super-Freeze funkcija), un pēc tam tiek ieslēgta Super-Freeze funkcija.
2. Kad iedegas indikators "e1" (Super-Freeze funkcija), nospiediet pogu "E" (Super-Frz. selektors); vienreiz atskan zummers, nodziest indikators "e1" (Super-Freeze funkcija), un pēc tam Super-Freeze funkcija tiek izslēgta
3. Pēc Super-Freeze funkcijas ieslēgšanas ledusskapis automātiski izslēdz šo funkciju, kad sasniedz iestatīto stāvokli. Ja vēlaties izslēgt manuāli, varat nospiegt pogu "E" (Super-Frz. selektors), lai to izslēgtu.



## Piezīme

Super-Freeze stāvoklī saldētavas temperatūru nevar regulēt. Ja tiek nospiesta poga "D1" (Temperatūras regulēšanas poga "-") vai "D2" (Temperatūras regulēšanas poga "+"), lai noregulētu saldētavas temperatūru, indikators "e1" (Super-Frz. indikators) mirgo ar tūlītēju skaņu, norādot, ka šo darbību nevar veikt.

Super-Freeze funkcijas stāvoklī vienlaicīgi nevar ieslēgt Auto-set funkciju dažādu vadības režīmu dēļ. Izvēloties vienu funkciju, kas konfliktē ar citu funkciju, sākotnējā funkcija automātiski izslēgsies.

## Filtra funkcija

Kad ledusskapis ir darbojies sešus mēnešus, iedegas atgādinājuma indikators "c3" (filtra atiestatīšanas funkcija), lai atgādinātu lietotājiem par jauna filtra nomaiņu. Kad filtrs ir nomainīts, turiet nospiegtu pogu "C" (Filtra atiestatīšanas funkcijas selektors) 3 sekundes, lai atceltu atgādinājumu, laiks tiek atiestatīts ar zummera zvanu.

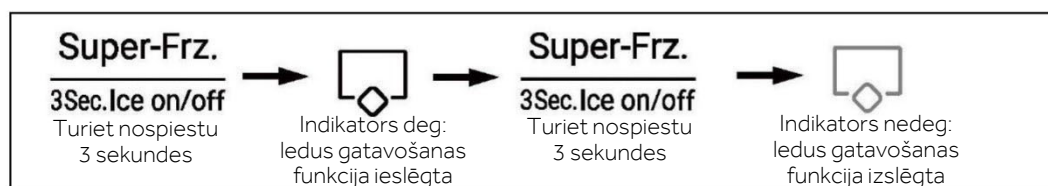


## Piezīme

Parastais filtra darbmužs ir seši mēneši. Ieteicams nomainīt filtru ik pēc sešiem mēnešiem.

## Ledus automāta režīms

1. Atbloķētā stāvoklī nospiediet pogu "E" (Ledus automāta režīma selektors) un turiet nospiešu 3 sekundes; vienreiz atskan zummers, iedegas indikators "e2" (Ledus automāta režīms), un tad tiek ieslēgts ledus veidotāja režīms.
2. Kad iedegas indikators "e2" (Ledus automāta režīms), nospiediet pogu "E" (Ledus automāta režīma selektors) un turiet to nospiešu 3 sekundes; vienreiz atskan zummers, indikators "e2" (Ledus automāta režīms) nodziest, un tad tiek izslēgts ledus automāta režīms



## Piezīme

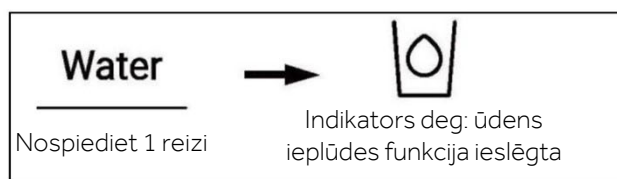
Kad lietojumprogramma ir ieslēgta, ledus pagatavošanas ierīce pēc noklusējuma ir izslēgta.

Ja ledus gabaliņi nav nepieciešami ilgāku laiku, lūdzu, izslēdziet ledus pagatavošanas funkciju, iztukšojiet tvertni un ievietojiet notīrīto tvertni.

Ledus pagatavošanas ierīci var konfigurēt tikai ar ražotāju vai iegādāties no tās servisa aģenta.

## Ūdens uzņemšanas funkcija

Jebkurā stāvoklī (bloķētā vai atbloķētā) nospiediet pogu "H1" (Ūdens ieplūdes funkcijas selektors); vienreiz atskan zummers, iedegas indikators "h1" (Ūdens ieplūdes funkcija), un pēc tam tiek ieslēgta ūdens ieplūdes funkcija.



## Piezīme

1. Kad iedegas indikators "h1" (ūdens ieplūdes funkcija), indikators "h2" (ledus kubiņu funkcija) un indikators "h3" (sasmalcināta ledus funkcija) nodziest. Pēc dozatora sviras nospiešanas ūdens izplūst no ieplūdes atveres.
2. Kad ūdens ieplūdes laiks sasniedz 150 s, ledusskapis pīkstēs un paturēs ūdeni, līdz laiks sasniegs 180 s, ūdens tiks atslēgts un ūdens vārsts pārslēgsies uz 200 s aizsardzības periodu, un pēc tam ūdens ieplūdi var atkārtot.
3. Kad kumulatīvais ūdens ieplūdes laiks sasniedz 5 min 10 minūšu laikā, ūdens vārsts pārslēdzas uz 10 min aizsardzības periodu; pēc tam ūdens ieplūdi var atkārtot.

## Ledus kubiņu funkcija

Jebkurā stāvoklī (bloķētā vai atbloķētā) nospiediet pogu "H2" (Ledus kubiņu funkcijas selektors); vienreiz atskan zummers, iedegas indikators "h2" (Ledus kubiņu funkcija), un tad tiek ieslēgta ledus kubiņu funkcija.

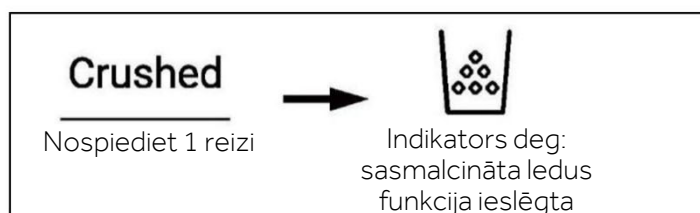


## Piezīme

1. Kad iedegas indikators "h2" (ledus kubiņu funkcija), indikators "h1" (ūdens ieplūdes funkcija) un indikators "h3" (sasmalcināta ledus funkcija) nodziest. Pēc sadalītāja mikroslēdža nospiešanas no ieplūdes atveres izplūst ledus kubiņi.
2. Kad ledus automātu pirmoreiz savieno ar elektrību, lai tas darbotos, ledus kubiņu funkcija pēc noklusējuma ir izslēgta.
3. Nospiediet dozatora mikroslēdži, tā gaisma iedegas ar atvērtu vāku. Tad ledus smalcināšanas motors sāk griezties pretēji pulksteņrādītāja virzienam, lai stumtu ledus kubiņus. Atbrīvojiet dozatora mikroslēdži; ledus smalcināšanas motors apstājas, tā gaisma nodziest, un dozatora pārsegs aizveras pēc 5 sekundēm.
4. Ledus kubiņu režīma stāvoklī, kad ledus kubiņu gatavošanas laiks ir ilgāks par 50 sekundēm, atskanēs zummers, kas sāks brīdināt (klaudzināt), lai lietotāji pamanīti, ka tas jāizslēdz. Kad laiks sasniedz 1 minūti, tam nākas apturēt ledus kubiņu gatavošanu, un tas darbojas efektīvi, kad slēdzis tiek nospiests nākamreiz.
5. Ja ledus kubiņu gatavošanas laikā ir atvērtas ledusskapja durvis, motors, kas piegādā ledu, tiek apturēts ar aizvērtu dozatora vāku un izslēgtu dozatora gaismu, un ledus kubiņu gatavošana tiks apturēta.
6. Aizliegts ņemt ledu, kad ledusskapja durvis ir atvērtas.

## Sasmalcināta ledus funkcija

Jebkurā stāvoklī (bloķētā vai atbloķētā) nospiediet pogu "H3" (sasmalcināta ledus funkcijas selektors); vienreiz atskan zummers, iedegas indikators "h3" (sasmalcināta ledus funkcija), un pēc tam tiek ieslēgta sasmalcināta ledus funkcija.



## Piezīme

Kad iedegas indikators "h3" (sasmalcināta ledus funkcija), indikators "h1" (ūdens ieplūdes funkcija) un indikators "h2" (ledus kubiņu funkcija) nodziest. Pēc sadalītāja mikroslēdža nospiešanas no ieplūdes atveres izplūst sasmalcināts ledus.

Nospiediet dozatora mikroslēdzi, tā gaisma iedegas ar atvērtu vāku. Tad ledus smalcināšanas motors sāk griezties pulksteņrādītāja kustības virzienā, lai stumtu ledus gabaliņus. Atbrīvojiet dozatora mikroslēdzi; ledus smalcināšanas motors apstājas, dozatora pārsegs aizveras, un tā gaisma nodziest pēc 5 sekundēm.

Sasmalcināta ledus stāvoklī, kad sasmalcināta ledus laiks ir ilgāks par 50 sekundēm, ir skaņas signāls, kas sāks brīdināt (klaudzināt) lietotājus par tā nepieciešamo izslēgšanu. Kad laiks sasniedz 1 minūti, tas ir spiests apturēt ledus smalcināšanu, un tas darbojas efektīvi, kad slēdzis tiek nospiests nākamreiz.

Ledus smalcināšanas laikā, ja ledusskapja durvis ir atvērtas, motors, kas piegādā ledu, apstāties, aizverot dozatora vāku, izslēdzot dozatora gaismu un apturot ledus smalcināšanu. Aizliegts sasmalcināt ledu ar atvērtām ledusskapja durvīm.

### Durvju atvēršanas brīdinājuma signāls

Ja kādas durvis tiek turētas atvērtas pārāk ilgi vai tās nav labi aizvērtas, ledusskapis noteiktos intervālos atskaņos skaņas signālu, lai atgādinātu jums savlaicīgi aizvērt durvis.

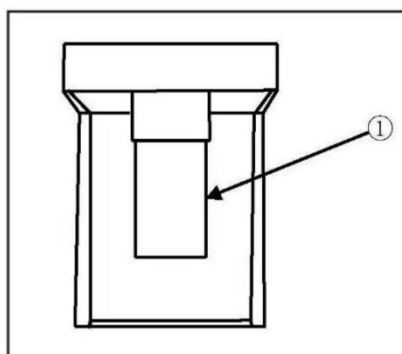
### Atmiņas izslēgšana

Tiek saglabāts atmiņā momentānais izslēgšanas darba stāvoklis. Pēc atkārtotas ieslēgšanas tas joprojām darbojas atbilstoši iestatījumam pirms izslēgšanas.

### Ledus un ūdens dozatora izmantošana

Atkārtoti spiediet dozatora izvēles pogu, līdz iedegas lampiņa virs vajadzīgā indikatora.

Nospiediet dozatora sviru (1) ar glāzi vai citu trauku, lai iepildītu ledus kubiņus, ūdeni vai sasmalcinātu ledu.



# IETEIKUMI SVAIGAS PĀRTIKAS GLABĀŠANAI

## Uzglabāšana ledusskapja nodalījumā

1. Uzturiet ledusskapja temperatūru zem 5 °C.
2. Karsts ēdiens pirms glabāšanas ierīcē ir jāatdzesē līdz istabas temperatūrai.
3. Ledusskapī uzglabātie pārtikas produkti pirms uzglabāšanas ir jānomazgā un jānožāvē.
4. Uzglabājamai pārtikai jābūt pienācīgi noslēgtai, lai izvairītos no smaržas vai garšas izmaiņām.
5. Neuzglabājiet pārmērīgu daudzumu pārtikas produktu. Atstājiet spraugas starp pārtikas produktiem, lai ap tiem varētu plūst auksts gaiss, nodrošinot labāku un vienmērīgāku dzesēšanu.
6. Ik dienu patērētie pārtikas produkti jāuzglabā plaukta priekšpusē.
7. Atstājiet spraugu starp pārtikas produktiem un iekšējām sienām, nodrošinot gaisa plūsmu. Noteikti neglabājiet pārtikas produktus pie aizmugurējās sienas — pārtikas produkti var piesalt pie aizmugurējās sienas. Nepieļaujiet pārtikas produktu (īpaši — taukainu vai skābu produktu) tiešu saskari ar iekšējo apdari, jo eļļa/skābe var to sabojāt. Ja atrodat eļļainus/skābus traipus, notīriet tos.
8. Saldētus pārtikas produktus atkausējiet ledusskapja nodalījumā. Tādā veidā varat izmantot saldēto pārtiku, lai samazinātu temperatūru šajā nodalījumā un taupītu enerģiju.
9. Ledusskapī var paātrināties augļu un dārzeņu, piemēram, kabaču, meloņu, papaijas, banānu, ananāsu, nogatavošanās process. Tāpēc tos nav ieteicams glabāt ledusskapī. Tomēr noteiktu laiku var veicināt izteikti zaļu augļu nogatavināšanu. Sīpoli, ķiploki, ingvers un citi sakņu dārzeņi arī jāuzglabā istabas temperatūrā.
10. Nepatīkami aromāti ledusskapī ir zīme, ka kaut kas ir izlijis un ir jāveic tīrīšana. Skatiet sadaļu KOPŠANA UN TĪRĪŠANA.
11. Dažādi pārtikas produkti jānovieto dažādās vietās atbilstoši to īpašībām.

1-Sviests, siers u. c.

2-Olas, konservi, garšvielas u. c.

3/4/5-Dzērieni un pudelēs pildīti pārtikas produkti.

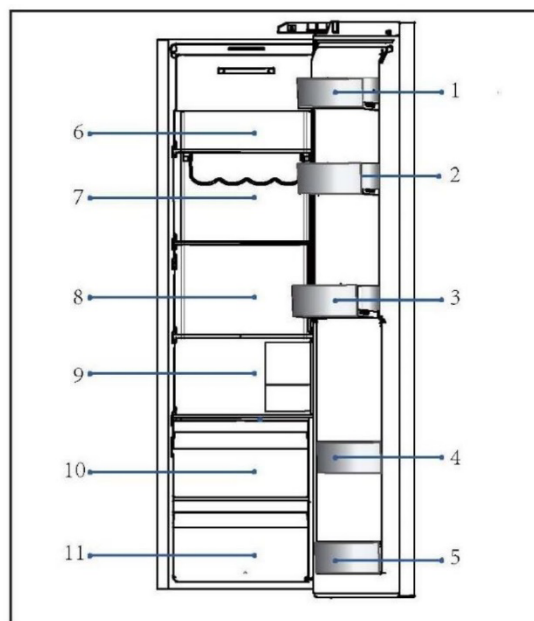
6-Marinēti pārtikas produkti, konservi u. c.

7/8-Gaļas produkti, zivis, neapstrādāta pārtika

9-Bundžas, piena produkti u. c.

10-Augļi, dārzeņi, salāti u. c.

11-Pagatavota gaļa, desas u. c.

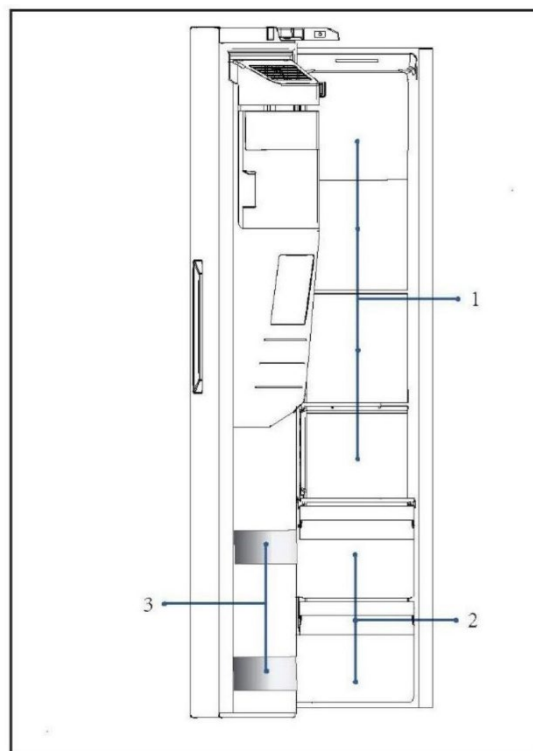


## IETEIKUMI SVAIGAS PĀRTIKAS GLABĀŠANAI

### Uzglabāšana saldētavas nodaļumā

1. Uzturiet saldētavas temperatūru -18 °C.
2. 12 stundas pirms saldēšanas ieslēdziet funkciju "Super-Freeze"; nelielam pārtikas daudzumam pietiek ar 4–6 stundām.
3. Karsts ēdiens pirms uzglabāšanas saldētavā ir jāatdzesē līdz istabas temperatūrai.
4. Pārtikas produkti, kas sadalīti nelielās porcijās, sasals ātrāk un būs vieglāk atkausējami un pagatavojami. Katras porcijas ieteicamais svars ir līdz 2,5 kg.
5. Pirms pārtikas produktu ievietošanas saldētavā tos ieteicams iesaiņot. Iepakojuma ārpusē jābūt sausai, lai nepieļautu maisiņu salipšanu. Iepakojuma materiāliem jābūt bez smaržas, hermētiskiem, nekaitīgiem un netoksiskiem.
6. Lai izvairītos no uzglabāšanas termiņu beigšanās, uz iepakojuma piefiksējiet sasaldēšanas datumu, termiņu un pārtikas produkta nosaukumu atbilstoši dažādu pārtikas produktu uzglabāšanas periodiem.
7. **BRĪDINĀJUMS!** Skābe, sārms, sāls u.c. var sabojāt saldētavas iekšējo virsmu. Nenovietojiet pārtiku, kas satur šīs vielas (piemēram, jūras zivis), tieši uz iekšējās virsmas. Saldētavā nonācis sālsūdens ir nekavējoties jāuzslauka.
8. Nepārsniedziet ražotāju ieteikto pārtikas produktu uzglabāšanas laiku. Izņemiet no saldētavas tikai nepieciešamo pārtikas daudzumu.
9. Dažādi pārtikas produkti jānovieto dažādās vietās atbilstoši to īpašībām.

- 1- Vieglākas preces, piemēram, saldējums, dārzeņi, maize u. c.
- 2- Lielāka/smagāka pārtika, piemēram, gaļas izstrādājumi grilēšanai
- 3- Pica u. c.





## PIEZĪME GLABĀŠANA

1. Lūdzu, ievērojiet vairāk nekā 10 mm attālumu starp pārtiku un sensoru, lai nodrošinātu dzesēšanas efektu.
2. Lūdzu, atstājiet zemāko atvilktni ierīcē, kad tā darbojas, lai nodrošinātu dzesēšanas efektu.
3. Pārtikas preces, kurās ir ledus (piemēram, saldējums), jāglabā saldētavas nodalījumā, nevis pudeļu turētājos. Pudeļu turētāju temperatūras izmaiņas, ko izraisa durvju atvēršana un aizvēršana, var atkausēt ēdienu.
4. Atkausētos pārtikas produktus patērējiet īsā laikā. Atkausētus pārtikas produktus nevar atkārtoti sasaldēt, ja tie nav pagatavoti, jo citādi tie var kļūt neēdami.
5. Neievietojiet saldētavā pārmērīgi daudz svaigu pārtikas produktu. Saldētavas saldēšanas jaudu skatiet sadaļā TEHNISKIE DATI vai skatiet datus uz tehnisko datu plāksnītes.
6. Pārtiku var glabāt saldētavā vismaz -18 °C temperatūrā 2 līdz 12 mēnešus atkarībā no tās īpašībām (piemēram, gaļu 3–12 mēnešus, dārzeņus 6–12 mēnešus)
7. Sasaldējot svaigu pārtiku, izvairieties no tās saskares ar jau sasaldētu pārtiku. Pastāv atkausēšanas risks!
8. Atdzesējiet saldētu pārtiku ledusskapī. Tādā veidā varat izmantot saldēto pārtiku, lai samazinātu temperatūru šajā nodalījumā un taupītu enerģiju.

### **Uzglabājot komerciāli sasaldētus pārtikas produktus, lūdzu, ievērojiet šos norādījumus:**

1. Vienmēr ievērojiet ražotāja norādījumus par to, cik ilgi pārtikas produktus var uzglabāt. Nepārsniedziet šos norādījumus!
2. Lai saglabātu pārtikas kvalitāti, centieties nodrošināt pēc iespējas īsāku laiku starp iegādi un uzglabāšanu.
3. Iegādājieties saldētu pārtiku, kas uzglabāta -18 °C vai zemākā temperatūrā.
4. Izvairieties pirkt pārtiku, uz kuras iepakojuma ir ledus vai sarma — tas norāda, ka produkti kādā brīdī varētu būt bijuši daļēji atkausēti un atkārtoti sasaldēti — temperatūras paaugstināšanās ietekmē produktu kvalitāti.



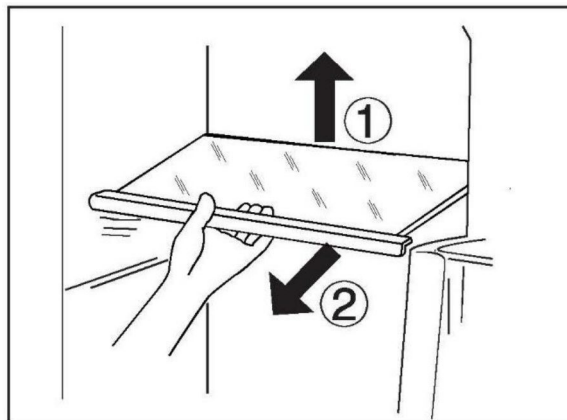


## Enerģijas taupīšanas padomi

- ▶ Pārliedzieties, vai ierīcē tiek veikta pienācīga ventilēšana (skatiet sadaļu UZSTĀDĪŠANA).
- ▶ Neuzstādiet ierīci tiešā saules gaismā vai siltuma avotu (piemēram, krāsns, sildītāja) tuvumā.
- ▶ Neiestatiet ierīcē nevajadzīgi zemu temperatūru. Jo zemāka temperatūra ierīcē ir iestatīta, jo augstāks ir enerģijas patēriņš.
- ▶ Tādas funkcijas kā POWER-FREEZE patērē vairāk enerģijas.
- ▶ Ļaujiet siltam ēdienam atdzist, pirms to ievietojat ierīcē.
- ▶ Atveriet ierīces durvis pēc iespējas mazāk un uz īsāku brīdi.
- ▶ Nepārpildiet ierīci, lai netraucētu gaisa plūsmu.
- ▶ Izvairieties no gaisa iekļūšanas pārtikas iepakojumā.
- ▶ Uzturiet durvju blīves tīras, lai durvis vienmēr pareizi aizvērtos.
- ▶ Saldētus pārtikas produktus atkausējiet ledusskapja nodalījumā.
- ▶ Visvairāk enerģiju taupošajai konfigurācijai ir nepieciešams, lai ierīce saglabātu atvilktnes un plauktus rūpnīcas svaigā stāvoklī, un pārtika jānovieto pēc iespējas tālāk, nebloķējot gaisa kanāla izvadu.

## Regulējami plaukti

1. Plauktu augstumu var pielāgot, lai tie atbilstu jūsu uzglabāšanas vajadzībām.
2. Lai pārvietotu plauktu, vispirms izņemiet to, paceļot tā aizmugurējo malu ① un izvelkot to uz āru ②.
3. Lai to ievietotu atpakaļ, uzlieciet to uz izciļņiem abās pusēs un bīdiet to uz priekšu, līdz plaukta aizmugure ir fiksēta sānos esošajās atverēs

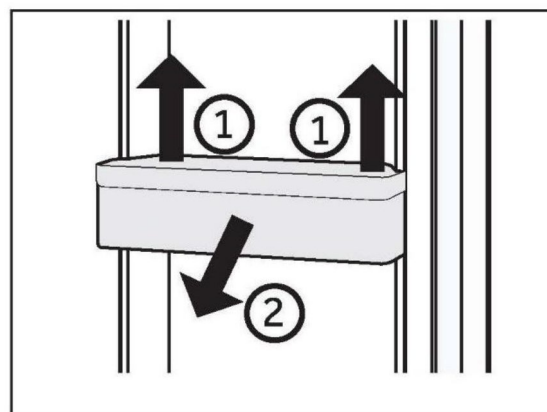


## PAZIŅOJUMS

Pārliecinieties, vai visas plaukta malas atrodas horizontāli.

## Noņemami durvju plaukti/pudeļu turētājs

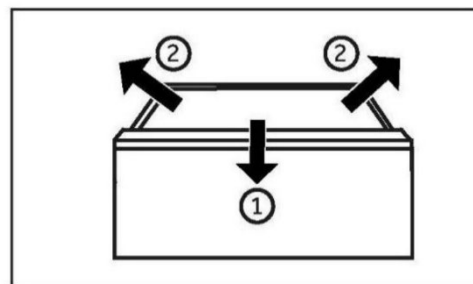
1. Durvju plauktus/pudeļu turētāju var noņemt tīrīšanai:
2. Uzlieciet rokas abās plaukta / pudeļu turētāja pusēs, paceliet to uz augšu ① un izvelciet ②.
3. Lai ievietotu durvju plauktus / pudeļu turētāju, iepriekš minētās darbības jāveic pretējā secībā



## Noņemama atvilktnē

Lai izņemtu atvilktni, izvelciet to maksimāli ①, paceliet un izņemiet ②.

Lai ievietotu atvilktni, iepriekš minētās darbības jāveic pretējā secībā.



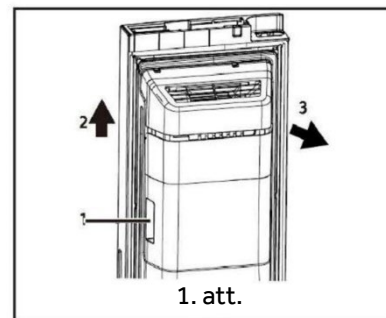
## Ledus tvertne

### Ledus ražošanas apturēšana

Ja ilgstoši nav nepieciešams ledus vai ūdens, vārstu starp ūdens padevi un ierīci var izslēgt. Ledus kaste ir jānotīra, jāizžāvē un jāievieto atpakaļ ierīcē, lai novērstu smaku rašanos.

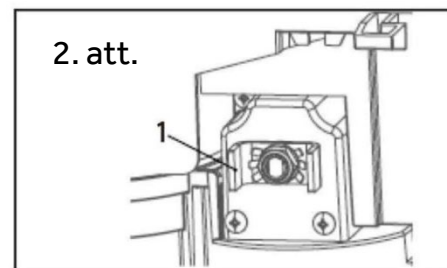
### Ledus tvertnes noņemšana

1. Satveriet abus sānu āķus.
2. Paceliet tvertni uz augšu.
3. Izvelciet tvertni.



### Ledus tvertnes atkārtota uzstādīšana

Lai atkārtoti uzstādītu ledus tvertni, U veida kronšteins aiz ledus tvertnes (1. 2. attēlā) ir jāaskaņo ar atbilstīgo metāla konstrukciju. Veiciet 1. attēlā norādītās darbības pretējā secībā.



## PAZIŅOJUMS

Mitrums var kondensēties un sasaldēt ledus kasti.



## BRĪDINĀJUMS!

Pirms tīršanas atvienojiet ierīci no barošanas avota.

### Tīršana

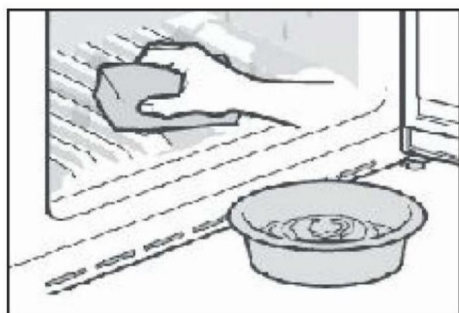
Iztīriet ierīci, kad tajā tiek uzglabāts maz vai necik pārtikas.

Lai ierīci uzturētu labā stāvoklī un novērstu glabāto pārtikas produktu aromātus, ierīce jātīra reizi četrās nedēļās.



## BRĪDINĀJUMS!

- ▶ Netīriet ierīci ar cietām sukām, stieplu sukām, mazgāšanas pulveri, benzīnu, amilacetātu, acetonu un līdzīgiem organiskiem šķīdumiem, skābes vai sārma šķīdumiem. Tīriet ar īpašu ledusskapja mazgāšanas līdzekli, lai izvairītos no bojājumiem.
- ▶ Tīršanas laikā ierīci nedrīkst apsmidzināt vai skalot.
- ▶ Ierīces tīršanai neizmantojiet ūdens strūklu vai tvaiku.
- ▶ Nemazgājiet aukstus stikla plauktus karstā ūdenī. Krasas temperatūras izmaiņas var izraisīt stikla saplīšanu.
- ▶ Nepieskarieties saldētavas iekšējai virsmai, jo īpaši ar mitrām rokām, jo rokas var piesalt pie virsmas.
- ▶ Sasilšanas gadījumā pārbaudiet saldēto produktu stāvokli.



- ▶ Durvju blīvi vienmēr turiet tīru.
  - ▶ Notīriet ierīces iekšpusi un korpusu ar sūkli, kas samitrināts siltā ūdenī un neitrālā mazgāšanas līdzeklī.
1. Nomazgājiet ledusskapja iekšpusi un ārpusi, tostarp durvju blīvi, durvju plauktu, stikla plauktus, kastes un pārējos priekšmetus, izmantojot mīkstu dvieli vai sūkli, kas samitrināts siltā ūdenī (kuram var pievienot neitrālu mazgāšanas līdzekli).
  2. Ja ir izlijis šķidrums, noņemiet visas piesārņotās daļas, tiešā veidā noskalojiet zem tekoša ūdens, nožāvējiet un ievietojiet atpakaļ ledusskapī.
  3. Ja ir izlijis biezs šķidrums (piemēram, krējums, kūstošs saldējums), noņemiet visas netīrās daļas, ielieciet tās aptuveni 40 °C siltā ūdenī, pēc tam noskalojiet tekošā ūdenī, noslaukiet un ievietojiet atpakaļ ledusskapī.
  4. Ja ledusskapī (starp plauktiem vai atvilktnēm) ir iesprūduši kāda maza detaļa vai komponents, izmantojiet nelielu mīkstu suku, lai to atbrīvotu. Ja detaļu nevarat aizsniegt, sazinieties ar Haier klientu apkalpošanas dienestu
- ▶ Noskalojiet un nosusiniet ar mīkstu drānu.
  - ▶ Nevienu ierīces daļu nemazgājiet trauku mazgājamā mašīnā.
  - ▶ Pirms ierīces atkārtotas ieslēgšanas nogaidiet vismaz 5 minūtes, jo bieža iedarbināšana var sabojāt kompresoru.

### Atkausēšana

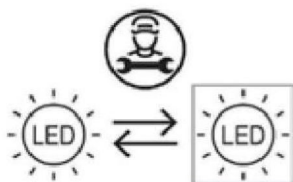
Ledusskapja un saldētavas nodalījumu atkausēšana tiek veikta automātiski; manuāla darbība nav jāveic.

LED spuldžu nomaiņa

**BRĪDINĀJUMS!**

LED lampu nomaiņu neveiciet paši, to drīkst nomainīt tikai ražotājs vai pilnvarots servisa pārstāvis.

Lampa izmanto LED kā gaismas avotu, nodrošinot zemu enerģijas patēriņu un ilgu kalpošanas laiku. Ja novērojat neparastu darbību, lūdzu, sazinieties ar klientu apkalpošanas dienestu. Skatiet sadaļu KLIENTU APKALPOŠANAS DIENESTS.



Gaismas avotu (tikai LED) drīkst nomainīt tikai profesionālis.

Šis produkts satur gaismas avotu ar energoefektivitātes klasi G.

Nodalījums	Spriegums	Energoefektivitātes klase	Modelis
Ledusskapis	12 V	G	HSW59F18DIMM
Saldētava	12 V	G	HSW79F18DIPT
Aizmugurējais apgaismojums	12 V	G	HSW79F18DIPT

**Ledus tvertnes tīrīšana**

Periodiski tīriet ledus tvertni ar siltu ūdeni, it īpaši, ja ledus gabaliņi ir ilgi stāvējuši. Pirms tvertnes ievietošanas atpakaļ ierīcē labi nožāvējiet to, lai novērstu ledus gabaliņu pielipšanu pie sienām.

**Nelietošana ilgāku laiku**

Ja ierīce netiks lietota ilgāku laiku un ledusskapim neplānojat izmantot funkciju Holiday, rīkojieties, kā aprakstīts tālāk.

- ▶ Izņemiet ēdienu.
- ▶ Atvienojiet strāvas vadu no elektrotīkla.
- ▶ Tīriet ierīci, kā aprakstīts iepriekš.
- ▶ Turiet durvis atvērtas, lai novērstu nepatīkamu smaku veidošanos iekšpusē.

**PAZIŅOJUMS**

Izslēdziet ierīci tikai tad, ja tas ir absolūti nepieciešams.



## Ierīces pārvietošana

1. Izņemiet visu pārtiku un atvienojiet ierīci no kontaktligzdas.
2. Nostipriniet plauktus un citas kustīgās ledusskapja un saldētavas daļas ar līmlenti.
3. Nesasveriet ledusskapi vairāk par 45°, lai nesabojātu dzesēšanas sistēmu.



## BRĪDINĀJUMS!

- ▶ Neceliet ierīci aiz rokturiem.
- ▶ Nekad nenovietojiet ierīci horizontāli uz zemes.

## Filtra nomaiņa

Ūdens filtrs ir jāmaina aptuveni ik pēc 6 mēnešiem, kad iedegas indikatora lampiņa "c3" (Filtra atiestatīšanas funkcija).

Lai iegādātos rezerves ūdens filtru:

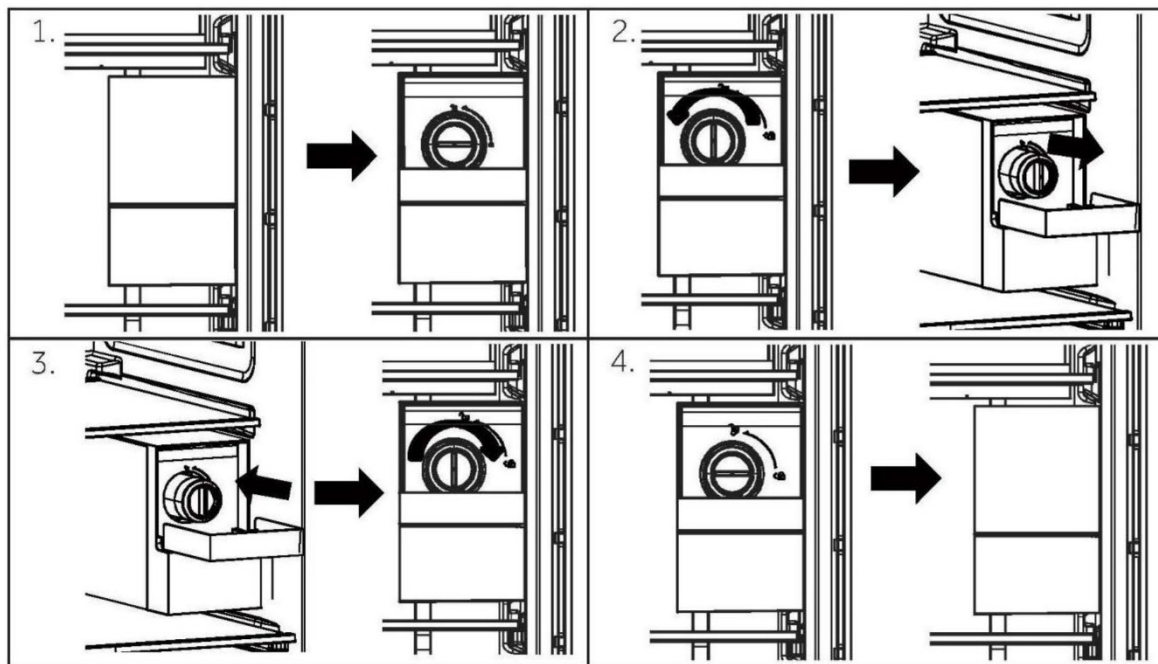
- Izmantojiet rezerves patronu: HRXWF,
- Sazinieties ar vietējo izplatītāju vai pārstāvi. Lai saņemtu turpmāku palīdzību, apmeklējiet mūsu vietni [www.haierspares.eu](http://www.haierspares.eu)



## Piezīme

- ▶ Ūdens filtra nomaiņa izraisa nelielu ūdens daudzuma (aptuveni 1 unces vai 25 cm<sup>3</sup>) noplūdi.
- ▶ Aptiniet audumu ap ūdens filtra pārsega priekšējo galu, lai savāktu noplūstošo ūdeni. Kad ūdens filtrs ir noņemts, turiet to vertikāli, lai novērstu atlikušā ūdens izlīšanu no ūdens filtra.

1. Nospiediet augšējā vāka vidusdaļu un pagrieziet to uz leju.
2. Noņemiet vienreizējās lietošanas ūdens filtru.
3. Nomainiet ar jaunu ūdens filtru. Ievietojiet jauno filtru filtra galvā un pagrieziet to pulksteņrādītāju kustības virzienā, līdz bultiņa uz jaunā filtra sakrīt ar bultiņu uz filtra galviņas. Pagrieziet filtru atpakaļ nodaļījumā.
4. Aizveriet ūdens filtra pārsegu.



5. Nospiediet un turiet nospiestu 3Sec. Filter Reset poga 3 sekundes.
6. Nolejiet ūdeni apmēram 5 minūtes, lai izvadītu aizturēto gaisu un piesārņotājus.



## UZMANĪBU!

- ▶ Filtru nomainīšana, kad tas ir nepieciešams, vai ūdens filtru, kas nav Haier autorizēti, izmantošana var izraisīt filtra patronas noplūdi un īpašuma bojājumus.

### Ūdens filtrs

#### Modelis: Haier HRXWF

- ▶ IAPMO R&T sertificēta sistēma saskaņā ar NSF/ANSI standartiem 42, 53, 401 un P473, lai samazinātu prasījumus, kas norādīti veiktspējas datu lapā un vietnē [iapmort.org](http://iapmort.org).
- ▶ Faktiskā veiktspēja var atšķirties atkarībā no vietējiem ūdens apstākļiem.

#### Lietošanas vadlīnijas/ūdens padeves parametri

Servisa plūsma: 0,5 Gpm (1,89 ipm)  
 Ūdens padeve: Dzeramais ūdens  
 Ūdens spiediens: 25–120 psi (172–827 kPa)  
 Ūdens temperatūra: 0,6–38 °C  
 Ietilpība: 170 galoni (643,5 litri)



Ir svarīgi izpildīt ražotāja ieteiktās uzstādīšanas, apkopes un filtra nomaiņas prasības, lai produkts darbotos, kā norādīts. Informāciju par garantiju skatiet uzstādīšanas rokasgrāmatā.



### Piezīme

Lai gan testēšana tika veikta standarta laboratorijas apstākļos, faktiskā veikspēja var atšķirties. Rezerves patrona: HRXWF Lai uzzinātu aptuvenās nomaiņas elementu izmaksas, lūdzu, apmeklējiet mūsu tīmekļa vietni [www.haierespares.eu](http://www.haierespares.eu).



### BRĪDINĀJUMS!

- ▶ Lai samazinātu risku, kas saistīts ar piesārņotāju norīšanu:
- ▶ Nelietot ar mikrobioloģiski nedrošu vai nezināmas kvalitātes ūdeni bez atbilstošas dezinfekcijas pirms un pēc lietošanas sistēmā. Sistēmas, kas sertificētas cistu samazināšanai, var izmantot dezinficētam ūdenim, kas var saturēt filtrējamas cistas.



### Piezīme

**Lai samazinātu ūdens noplūdes vai plūdu risku un nodrošinātu optimālu filtra veikspēju:**

- ▶ pirms šīs sistēmas uzstādīšanas un lietošanas izlasiet un ievērojiet lietošanas norādījumus;
- ▶ uzstādīšanai un lietošanai JĀATBILST visiem valsts un vietējiem santehnikas noteikumiem;
- ▶ neuzstādiet, ja ūdens spiediens pārsniedz 827 kPa (120 psi). Ja jūsu ūdens spiediens pārsniedz 80 psi (552 kPa), jums jāuzstāda spiediena ierobežošanas vārsts. Ja neesat pārliecināts, kā pārbaudīt ūdens spiedienu, sazinieties ar santehnikas speciālistu.
- ▶ Neuzstādiet vietās, kur var rasties hidrauliskā trieciena apstākļi. Ja pastāv hidrauliskā trieciena apstākļi, jums jāuzstāda hidrauliskā trieciena aizturētājs. Ja neesat pārliecināts, kā pārbaudīt šo stāvokli, sazinieties ar santehnikas speciālistu.
- ▶ Neuzstādiet pie karstā ūdens padeves līnijām. Filtra sistēmas maksimālā darba ūdens temperatūra ir 38 °C.
- ▶ Sargājiet filtru no sasalšanas. Iztukšojiet filtru, kad temperatūra nokrītas zem 0,6 °C.
- ▶ Mainiet vienreizlietojamo filtra patronu ik pēc sešiem mēnešiem vai ātrāk, ja novērojat ievērojamu ūdens plūsmas ātruma samazināšanos.
- ▶ Ja vienreizējās lietošanas filtra patrona netiek nomainīta ieteiktajos intervālos, filtra veikspēja var samazināties un filtra korpusā var rasties plaisas, izraisot ūdens noplūdi vai applūšanu.
- ▶ Šī sistēma ir pārbaudīta saskaņā ar NSF/ANSI 42, 53, 401 un P473, lai samazinātu tālāk uzskaitīto vielu daudzumu. Norādīto vielu koncentrācija ūdenī, kas nonāk sistēmā, tika samazināta līdz koncentrācijai, kas ir mazāka vai vienāda ar pieļaujamo ūdens daudzumu, kas izplūst no sistēmas, kā norādīts NSF/ANSI 42, 53, 401 un P473.



Daudzas radušās problēmas var novērst pašrocīgi, jo nav nepieciešamas speciālas prasmes. Ja rodas problēma, pirms sazināšanās ar klientu apkalpošanas dienestu, lūdzu, pārskatiet visus tālāk minētos iemeslus un izpildiet tālāk sniegtos norādījumus. Skatiet sadaļu **KLIENTU APKALPOŠANAS DIENESTS**.



### BRĪDINĀJUMS!

- ▶ Pirms apkopes izslēdziet ierīci un atvienojiet strāvas kontaktdakšu no kontaktligzdas.
- ▶ Elektroiekārtu apkopi drīkst veikt tikai kvalificēti elektrotehnikas speciālisti, jo nepareizi veikts remonts var radīt ievērojamus izrietošus bojājumus.
- ▶ Bojāts barošanas vads ir jānomaina tikai ražotājam, tā klientu apkalpošanas dienesta pārstāvim vai līdzīgi kvalificētai personai, lai izvairītos no riska.

Problēma	Iespējamais cēlonis	Iespējamais risinājums
Kompresors nedarbojas.	<ul style="list-style-type: none"> <li>• Elektrotīkla kontaktdakša nav pievienota strāvas kontaktligzdai.</li> <li>• Ierīce ir atkausēšanas ciklā</li> </ul>	<ul style="list-style-type: none"> <li>• Pievienojiet strāvas kontaktdakšu.</li> <li>• Tas ir normāls statuss automātiskās atkausēšanas laikā</li> </ul>
Ierīce darbojas bieži vai pārāk ilgu laika periodu.	<ul style="list-style-type: none"> <li>• Iekšējai vai ārējai temperatūra ir pārāk augsta.</li> <li>• Ierīce kādu laiku ir bijusi izslēgta.</li> <li>• Ierīces durvis nav cieši aizvērtas.</li> <li>• Durvis ir tikušas atvērtas pārāk bieži vai uz pārāk ilgu laiku.</li> <li>• Saldētavas nodalījuma temperatūras iestatījums ir pārāk zems.</li> <li>• Durvju blīve ir netīra, nodilusi, ieplaisājusi vai neatbilstoša.</li> <li>• Netiek garantēta nepieciešamā gaisa cirkulācija.</li> </ul>	<ul style="list-style-type: none"> <li>• Šajā gadījumā ir normāli, ka ierīce darbojas ilgāk.</li> <li>• Parasti pāriet 8 līdz 12 stundas, līdz ierīce pilnībā atdziest.</li> <li>• Aizveriet durvis/atvilktni un pārlicinieties, vai ierīce atrodas uz līdzenas virsmas un vai kāds produkts vai trauks netraucē durvju aizvēršanu.</li> <li>• Neatveriet durvis/atvilktni pārāk bieži.</li> <li>• Iestatiet augstāku temperatūru, līdz tiek iegūta apmierinoša ledusskapja temperatūra. Lai ledusskapja temperatūra nostabilizētos, ir nepieciešamas 24 stundas.</li> <li>• Notīriet durvju/atvilktnes blīvi vai lūdziet klientu apkalpošanas dienestam to nomainīt.</li> <li>• Nodrošiniet atbilstošu ventilāciju.</li> </ul>
Ledusskapja iekšpuse ir netīra un/vai ož.	<ul style="list-style-type: none"> <li>• Ledusskapja iekšpuse ir jāiztīra.</li> <li>• Ledusskapī tiek uzglabāta pārtika ar spēcīgu aromātu.</li> </ul>	<ul style="list-style-type: none"> <li>• Iztīriet ledusskapja iekšpusi.</li> <li>• Rūpīgi iesaiņojiet ēdienu.</li> </ul>



Problēma	Iespējamais cēlonis	Iespējamais risinājums
Ierīce rada neparastas skaņas.	<ul style="list-style-type: none"><li>Ierīce nav uzstādīta uz līdzenas virsmas.</li><li>Ierīce pieskaras kādam priekšmetam pie tās.</li></ul>	<ul style="list-style-type: none"><li>Noregulējiet kājiņas tā, lai ierīce būtu vienā līmenī.</li><li>Noņemiet ap ierīci esošos priekšmetus.</li></ul>
Ierīces iekšpusē nav pietiekami auksts.	<ul style="list-style-type: none"><li>Ir iestatīta pārāk augsta temperatūra. Tiek uzglabāti pārāk silti produkti.</li><li>Vienlaikus tiek uzglabāts pārāk daudz produktu.</li><li>Produkti atrodas pārāk tuvu viens otram.</li><li>Ierīces durvis/atvilktnē nav cieši aizvērti.</li><li>Durvis/atvilktnē ir tikusi atvērta pārāk bieži vai uz pārāk ilgu laiku.</li></ul>	<ul style="list-style-type: none"><li>Atiestatiet temperatūru.</li><li>Pirms uzglabāšanas produktus vienmēr atdzesējiet.</li><li>Vienmēr uzglabājiet nelielus daudzumus pārtikas.</li><li>Atstājiet spraugu starp produktiem, lai nodrošinātu gaisa plūsmu.</li><li>Aizveriet durvis/atvilktni.</li><li>Neatveriet durvis/atvilktni pārāk bieži.</li></ul>
Ierīces iekšpusē ir pārāk auksts.	<ul style="list-style-type: none"><li>Ir iestatīta pārāk zema temperatūra. Super-Frz / Super-Cool funkcija ir aktivizēta vai darbojas pārāk ilgi.</li></ul>	<ul style="list-style-type: none"><li>Atiestatiet temperatūru.</li><li>Izslēdziet Super-Frz / Super-Cool funkciju</li></ul>
Ledusskapja nodalījuma iekšpusē veidojas mitrums.	<ul style="list-style-type: none"><li>Klimats ir pārāk silts un pārāk mitrs.</li><li>Ierīces durvis/atvilktnē nav cieši aizvērti.</li><li>Durvis/atvilktnē ir tikusi atvērta pārāk bieži vai uz pārāk ilgu laiku.</li><li>Pārtikas trauki vai šķidrumi ir atstāti atvērti.</li></ul>	<ul style="list-style-type: none"><li>Palieliniet temperatūru.</li><li>Aizveriet durvis/atvilktni.</li><li>Neatveriet durvis/atvilktni pārāk bieži.</li><li>Ļaujiet karstiem ēdieniem atdzist līdz istabas temperatūrai un pārklājiet ēdiena traukus un šķidrumus.</li></ul>
Mitrums uzkrājas uz ledusskapja ārējās virsmas vai starp durvīm vai durvīm un atvilktni.	<ul style="list-style-type: none"><li>Klimats ir pārāk silts un pārāk mitrs.</li><li>Durvis nav cieši aizvērti. Aukstais gaiss ierīcē un siltais gaiss ārpus tās kondensējas.</li></ul>	<ul style="list-style-type: none"><li>Tas ir normāli mitrā klimatā un mainīsies, kad mitrums samazināsies.</li><li>Pārlicinieties, vai durvis/atvilktnē ir cieši aizvērti.</li></ul>
Daudz ledus un sarmas saldētavas nodalījumā.	<ul style="list-style-type: none"><li>Produkti nebija pienācīgi iepakoti.</li><li>Ierīces durvis/atvilktnē nav cieši aizvērti.</li></ul>	<ul style="list-style-type: none"><li>Vienmēr kārtīgi iepakojiet produktus.</li><li>Aizveriet durvis/atvilktni.</li></ul>



Problēma	Iespējamais cēlonis	Iespējamais risinājums
	<ul style="list-style-type: none"> <li>Durvis/atvilktne ir tikusi atvērta pārāk bieži vai uz pārāk ilgu laiku.</li> <li>Durvju/atvilktnes blīve ir netīra, nodilusi, ieplaisājusi vai neatbilstoša.</li> <li>Kaut kas iekšpusē neļauj durvīm/atvilktnei kārtīgi aizvērties.</li> </ul>	<ul style="list-style-type: none"> <li>Neatveriet durvis/atvilktni pārāk bieži.</li> <li>Notīriet durvju/atvilktnes blīvi vai nomainiet to pret jaunu.</li> <li>Pārkārtojiet plauktus, durvju plauktus vai ievietotos traukus, lai ļautu durvīm/atvilktnei aizvērties.</li> </ul>
Skapja un durvju sloksnes malas kļūst siltas.	<ul style="list-style-type: none"> <li>-</li> </ul>	<ul style="list-style-type: none"> <li>Tas ir normāli.</li> </ul>
Ierīce rada neparastas skaņas.	<ul style="list-style-type: none"> <li>Ierīce nav uzstādīta uz līdzenas virsmas.</li> <li>Ierīce pieskaras kādam priekšmetam pie tās.</li> </ul>	<ul style="list-style-type: none"> <li>Noregulējiet kājiņas tā, lai ierīce būtu vienā līmenī.</li> <li>Noņemiet ap ierīci esošos priekšmetus.</li> </ul>
Ir dzirdama neliela skaņa, kas līdzīga tekoša ūdens skaņai.	<ul style="list-style-type: none"> <li>-</li> </ul>	<ul style="list-style-type: none"> <li>Tas ir normāli.</li> </ul>
Skan brīdinājuma signāls.	<ul style="list-style-type: none"> <li>Ledusskapja uzglabāšanas nodalījuma durvis ir atvērtas.</li> </ul>	<ul style="list-style-type: none"> <li>Aizveriet durvis.</li> </ul>
Dzirdama vāja dūkoņa.	<ul style="list-style-type: none"> <li>Darbojas pretkondensācijas sistēma</li> </ul>	<ul style="list-style-type: none"> <li>Tā novērš kondensāta veidošanos, un tās darbība ir normāla</li> </ul>
Iekšējais apgaismojums vai dzesēšanas sistēma nedarbojas.	<ul style="list-style-type: none"> <li>Elektrotīkla kontaktdakša nav pievienota strāvas kontaktligzdai.</li> <li>Barošanas avots ir bojāts.</li> <li>LED lampa nedarbojas.</li> </ul>	<ul style="list-style-type: none"> <li>Pievienojiet strāvas kontaktdakšu.</li> <li>Pārbaudiet telpas elektroapgādi. Sazinieties ar vietējo elektroapgādes uzņēmumu!</li> <li>Lūdzu, sazinieties ar servisu, lai nomainītu lampu.</li> </ul>
Ūdens noplūde vai pilēšana no ūdens padeves uzgaļa.	<ul style="list-style-type: none"> <li>Ūdens tvertne nav pareizi uzstādīta</li> <li>Ūdens padeves uzgalis nav cieši pieskrūvēts tvertnei.</li> <li>Ūdens tek nē trūkst baltās silikona gredzenblīves.</li> </ul>	<ul style="list-style-type: none"> <li>Ielieciet ūdens tvertni atpakaļ ledusskapja durvīs, pārliedzinieties, ka tā ir pilnībā iebīdīta durvīs.</li> <li>Ūdens uzgalis ir stingri pieskrūvēts ūdens tvertnei.</li> <li>Pirms ūdens uzgaļa uzstādīšanas ūdens tvertnei pārbaudiet, vai tvertnes galā ir balta silikona gredzenblīve.</li> </ul>



Lai sazinātos ar tehnisko palīdzību, apmeklējiet mūsu vietni:

<https://corporate.haier-europe.com/en/>

Sadaļā "Website" (Vietne) izvēlieties sava produkta zīmolu un savu valsti. Jūs tiksiet novirzīts uz konkrēto vietni, kur varēsiet atrast tālruņa numuru un veidlapu, lai sazinātos ar tehnisko palīdzību.

### Strāvas padeves pārtraukums

Strāvas padeves pārtraukuma gadījumā pārtikai būtu droši jāuzglabājas aukstai apmēram 5 stundas. Ilgstoša strāvas padeves pārtraukuma laikā, īpaši vasarā, ņemiet vērā šos ieteikumus:

- ▶ Atveriet durvis/atvilktni pēc iespējas mazāk reižu.
- ▶ Strāvas padeves pārtraukuma laikā nelieciet ierīcē papildu pārtikas produktus.
- ▶ Ja par strāvas padeves pārtraukumu tiek paziņots iepriekš un pārtraukums ir ilgāks par 5 stundām, pagatavojiet ledu un ievietojiet to traukā ledusskapja nodalījuma augšpusē.
- ▶ Uzreiz pēc strāvas padeves pārtraukuma beigām pārbaudiet produktus.
- ▶ Tā kā strāvas padeves pārtraukuma vai citas kļūmes laikā temperatūra ledusskapī paaugstināsies, samazināsies produktu uzglabāšanas laiks un kvalitāte. Visi produkti, kas ir atkusuši, pēc iespējas drīzāk ir jāpatērē vai jāpagatavo un atkārtoti jāsasaldē (ja nepieciešams), lai novērstu veselības apdraudējumu.



### **PIEZĪME** Atmiņas funkcija strāvas padeves pārtraukuma laikā

Pēc strāvas padeves atjaunošanas ierīce turpina darbu ar iestatījumiem, kas tika iestatīti pirms strāvas padeves pārtraukuma.

## Izsaiņošana



### BRĪDINĀJUMS!

- ▶ Šī ierīce ir smaga. Tās pārvietošana jāveic vismaz diviem cilvēkiem.
- ▶ Visus iepakojuma materiālus uzglabājiet bērniem nepieejamā vietā un utilizējiet tos videi draudzīgā veidā.
- ▶ Izņemiet ierīci no iepakojuma.
- ▶ Noņemiet visus iepakojuma materiālus.

## Vides apstākļi

Telpas temperatūrai vienmēr jābūt no 10 °C līdz 43 °C, jo tā var ietekmēt temperatūru ierīces iekšpusē un tās enerģijas patēriņu. Neuzstādiet ierīci citu siltumu izstarojošu ierīču (cepeškrāšņu, ledusskapju) tuvumā bez izolācijas.

- Paplašināta mērena (SN): šo aukstumiekārtu ir paredzēts izmantot apkārtējās vides temperatūrā no 10 °C līdz 32 °C.
- Mērena (N): šo aukstumiekārtu ir paredzēts izmantot apkārtējās vides temperatūrā no 16 °C līdz 32 °C.
- Subtropu (ST): šo aukstumiekārtu ir paredzēts izmantot apkārtējās vides temperatūrā no 16 °C līdz 38 °C.

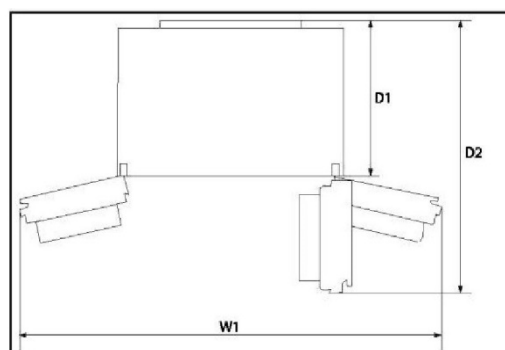
## Nepieciešamā vieta

Nepieciešamā vieta, kad durvis ir atvērtas:

W1 = 157,8 cm

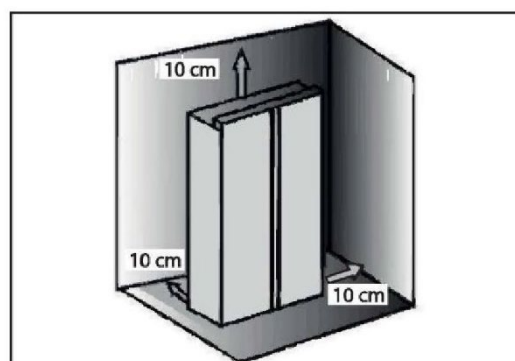
D1 = 62,9 cm

D2 = 117,5 cm



## Ventilācijas šķēsgriezums

Lai nodrošinātu pietiekamu ierīces ventilāciju drošības apsvērumu dēļ, jāievēro informācija par nepieciešamajiem ventilācijas šķēsgriezumiem.

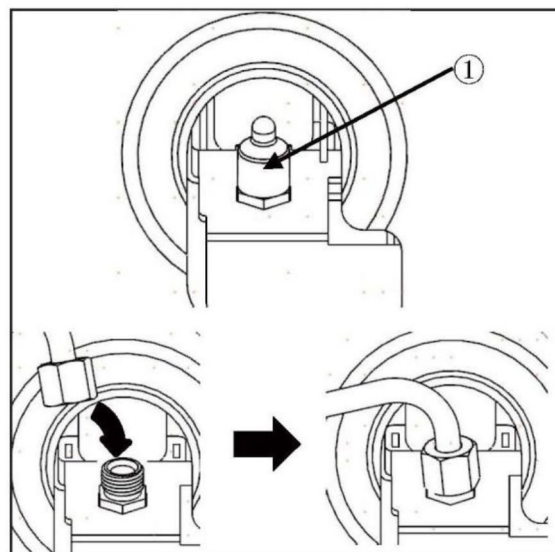


### PAZIŅOJUMS

Brīvtāvošai ierīcei: šo aukstumiekārtu nav paredzēts izmantot kā iebūvētu ierīci.

## Ūdens pievienošana ierīcei

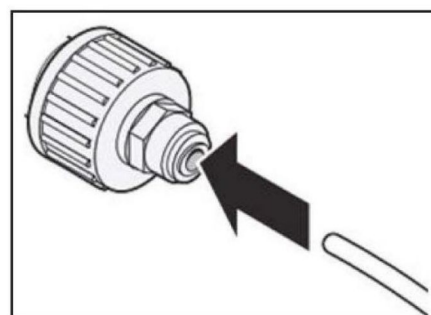
1. Noņemiet gumijas aizbāzni (1) no ūdens ieplūdes vārsta.
2. Stingri uzspiediet ūdens cauruli uz ūdens ieplūdes vārsta un pievelciet atlokuzgriezni. Šī ūdens caurule ir jāizmanto, nogriezta no vidus, un otra sekcija tiek izmantota kā rezerves daļa.



## Savienojuma izveide ar ūdens krānu

Šī funkcija ir pieejama tikai dažiem modeļiem.

1. Iebīdiet ūdens cauruli piederumos iekļautā krāna savienotāja atverē. Caurule stingri jātur, kamēr savienotājs tiek uzspiests uz caurules.
  2. Pirms krāna pieskrūvēšanas pārliecinieties, ka gumijas paplāksne ir uzstādīta krāna savienotāja iekšpusē.
- ▶ Ja krāna stiprinājums neatbilst komplektācijā iekļautā savienotāja vītnes izmēram, var būt jāiegādājas atsevišķs savienotājs vai adapters.



## Ūdens savienojuma pārbaude

Šī funkcija ir pieejama tikai dažiem modeļiem.

- ▶ Ieslēdziet ūdens padevi un ieslēdziet ierīci. Rūpīgi pārbaudiet visus savienotājelementus, vai nav iespējamas noplūdes nepareizi uzstādītu šļūteņu dēļ.
- ▶ Nospiediet un turiet nospiestu 3Sec. Filter Reset poga 3 sekundes. Ir aktivizēts jaunais ūdens filtrs.
- ▶ Novietojiet krūzi zem ūdens padeves ierīces, lai pārliecinātos, ka caur ierīci plūst ūdens.
- ▶ Vēlreiz pārbaudiet, vai savienojuma caurulei un savienojumiem nav noplūžu.



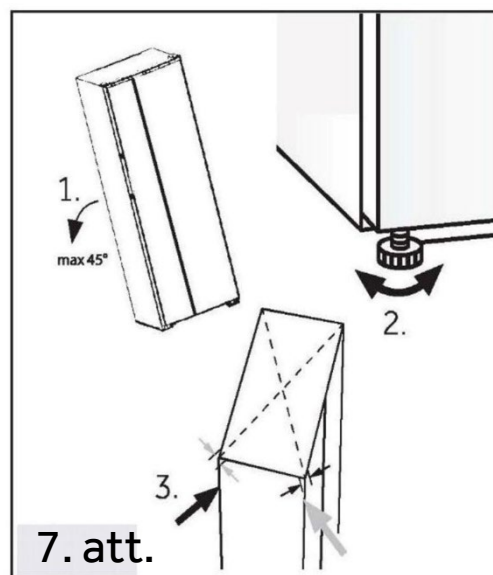
## BRĪDINĀJUMS!

- ▶ Vienmēr pārliedzieties, vai savienojumi ir stingri, sausi un hermētiski.
- ▶ Pārliedzieties, ka šļūtene nav saspiesta, savijusies vai savērpta.

### Ierīces centrēšana

Ierīce jānovieto uz līdzenas un cietas virsmas.

1. Sagāziet ierīci nedaudz uz aizmuguri (7. att.).
2. Noregulējiet kājiņas vēlamajā līmenī. Pārliedzieties, ka attālums līdz sienai eņģu malās ir vismaz 10 cm.
3. Stabilitāti var pārbaudīt, pamīšus uzsitot pa diagonālēm. Abos virzienos jābūt novērojama vieglai šūpošanās kustībai. Pretējā gadījumā rāmis var deformēties, un rezultātā var rasties noplūde pie durvju blīvēm. Neliels slīpums uz aizmuguri atvieglo durvju aizvēršanu.

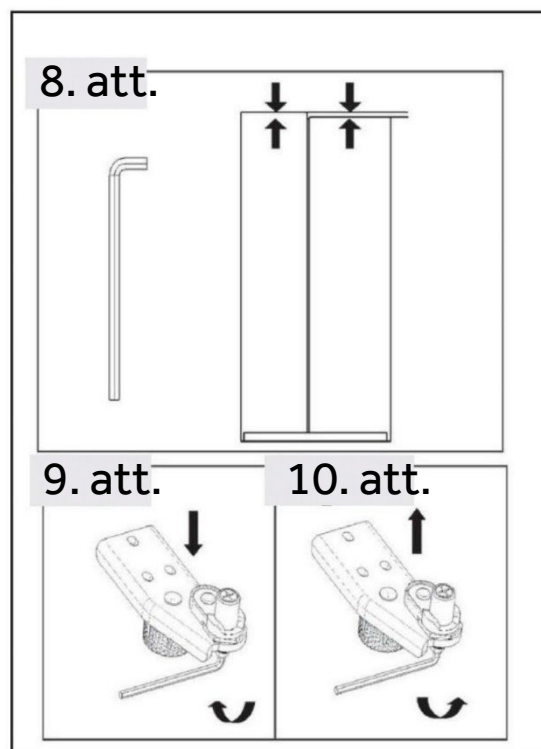


### Durvju precīza noregulēšana

Ja durvis joprojām nav vienā līmenī pēc durvju izlīdzināšanas ar kājiņām, šo neatbilstību var novērst, pagriežot viras pacelšanas vārpstu saldēšanas durvju labajā apakšējā stūrī ar uzgriežņu atslēgu (8. att.)

Pagrieziet pacelšanas vārpstu pulksteņrādītāja kustības virzienā ar uzgriežņu atslēgu līdz zemākajam durvju augstumam (9. att.).

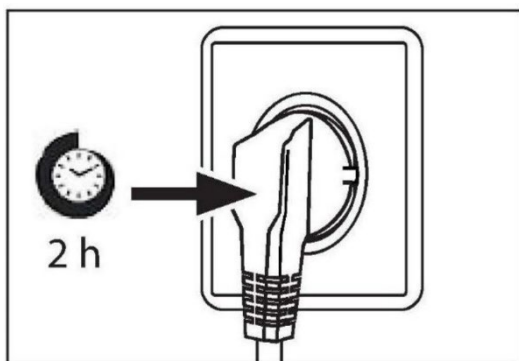
Pagrieziet pacelšanas vārpstu pretēji pulksteņrādītāja kustības virzienam ar uzgriežņu atslēgu, lai paceltu durvis (10. att.).





## BRĪDINĀJUMS!

Nenoregulējiet eņģu pacelšanas vārpstu pārmērīgi tādā augstumā, kas var izraisīt vārpstas iziešanu no sākotnējās bloķētās pozīcijas. (Regulējamais augstuma diapazons: 3 mm)



### Gaidīšanas laiks

Kompresora kapsulā ir bezapkopes smēreļļa. Ja ierīce tiek transportēta slīpā stāvoklī, šī eļļa transportēšanas laikā var izkļūt caur slēgto cauruļu sistēmu. Pirms ierīces pievienošanas barošanas avotam nogaidiet 2 stundas, lai eļļa saplūstu atpakaļ kapsulā.

### Elektriskais savienojums

#### Pirms katras savienošanas reizes pārbaudiet, vai:

- ▶ barošanas avots, kontaktligzda un drošinātājs atbilst tehnisko datu plāksnītei;
- ▶ strāvas kontaktligzda ir zemēta un tai nav vairāku kontaktligzdu vai pagarinātāju;
- ▶ strāvas kontaktdakša un kontaktligzda atbilst tehniskajām prasībām.

Pievienojiet kontaktdakšu pareizi uzstādītai mājsaimniecības kontaktligzdai.



## BRĪDINĀJUMS!

Lai izvairītos no riskiem, bojāts strāvas vads ir jānomaina klientu apkalpošanas dienestam (skatiet garantijas karti).

### Durvju noņemšana un uzstādīšana

Ja jānoņem ierīces durvis, lūdzu, ievērojiet tālāk sniegtās durvju noņemšanas un uzstādīšanas norādes.

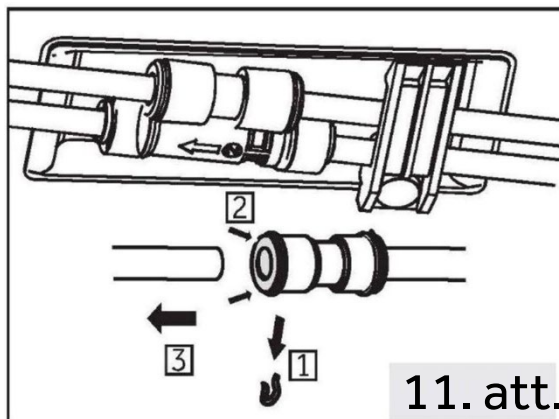


## BRĪDINĀJUMS!

- ▶ Pirms jebkādas darbības izslēdziet ierīci un atvienojiet strāvas kontaktdakšu no kontaktligzdas.
- ▶ Noslēdziet ūdens padevi.
- ▶ Ierīce ir smaga. Tās pārvietošana jāveic vismaz diviem cilvēkiem.
- ▶ Nesasveriet ierīci vairāk par 45° un nenovietojiet to horizontāli uz pamatnes.
- ▶ Durvis var apgāzties un izraisīt traumas vai šo darbību laikā tikt sabojātas. Lūdzu, rīkojieties uzmanīgāk, pārvietojot un uzstādot durvis.

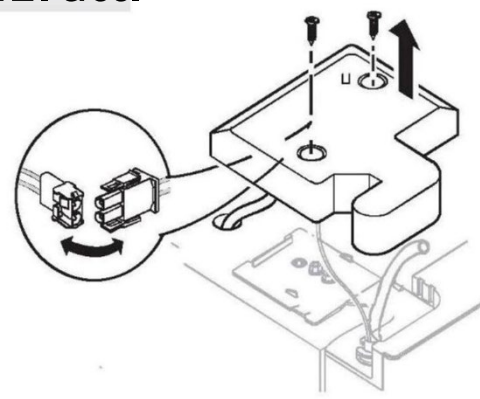


1. Atbrīvojiet divu ūdens savienotāju kreiso pusi ierīces apakšas priekšējā kreisajā stūrī: nospiediet un turiet atloku kā parādīts un noņemiet ūdens cauruli. (11. att.).



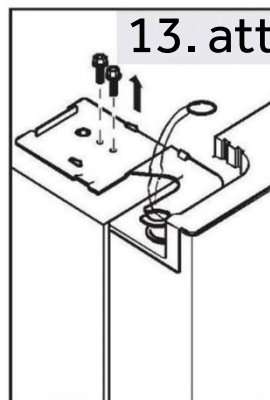
2. Atskrūvējiet eņģu vāka skrūvi un noņemiet vāku (12. att.). Noņemot saldētavas durvis, atvienojiet visus vadus, izņemot zemējuma vadu.

12. att.

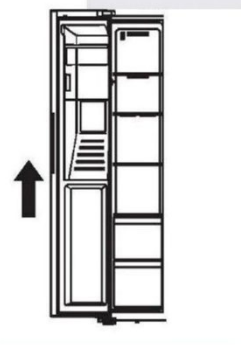


3. Atskrūvējiet skrūves, kas notur augšējo eņģi pozīcijā, un pēc tam noņemiet eņģi (13. att.).
4. Paceliet durvis, lai tās noņemtu (14. att.). Noņemot saldētavas durvis, paceliet tās pietiekami augstu, lai izspiestu ūdens savienojumu no ierīces apakšas.
5. Uzstādiet durvis vietā, veicot izņemšanas soļus pretējā secībā. Nodrošiniet zemējuma kabeļa nostiprināšanu ar skrūvi.
6. Uzstādiet ūdens savienojumu.

13. att.



14. att.



## PIEZĪME Ledusskapja durvis

Attēlos ir redzama saldētavas nodalījuma durvju noņemšana. Ledusskapja durvīm izmantojiet atbilstošās daļas no otras puses.



Produkta datu lapa saskaņā ar Regulu (ES) Nr. 2019/2016

Zīmols	Haier
Modeļa nosaukums / identifikators	HSW59F18DIMM HSW79F18DIPT
Modeļa kategorija	Ledusskapis/saldētava
Energoefektivitātes klase	D
Enerģijas patēriņš gadā (kWh/gadā) <sup>(1)</sup>	267
Kopējais tilpums (l)	601
Ledusskapja tilpums (l)	391
Saldētavas tilpums (l)	206
Ledus glabāšanas tvertnes tilpums (2 zvaigznes) (L)	4
Vērtējums zvaigznēs	
Citu nodalījumu temperatūra >14 °C	Nav piemērojams
Bezsarmas sistēma	Jā
Saldēšanas jauda (kg/24 h)	10
Klimata novērtējums <sup>(2)</sup>	SN-N-ST
Trokšņa emisijas klase un gaisa vadītā akustiskā trokšņa emisija (dB(A) re 1 pW)	C(36)
Temperatūras paaugstināšanās laiks (h)	5
Ledus gatavošanas jauda	0,8 kg/24 h
Ierīces veids	Brīvi stāvoša



Paskaidrojumi:

- Jā, piedāvātie
- (1) Pamatojoties uz standartu atbilstības testa rezultātiem 24 stundu laikā.  
Faktiskais patēriņš ir atkarīgs no ierīces lietošanas veida un atrašanās vietas.
- (2) Klimata novērtējums SN: Šī ierīce ir paredzēta lietošanai apkārtējās vides temperatūrā no +10°C līdz +32°C  
Klimata novērtējums N: Šī ierīce ir paredzēta lietošanai apkārtējās vides temperatūrā no +16°C līdz +32°C  
Klimata novērtējums ST: Šī ierīce ir paredzēta lietošanai apkārtējās vides temperatūrā no +16°C līdz +38°C

### Papildu tehniskie dati

Spriegums/frekvence	220–240 V ~/50 Hz
leejas strāva (A)	1,8
Atkausēšanas ieejas jauda (W)	220
Galvenais drošinātājs (A)	15
Dzesēšanas šķidrums	R600a
Izmēri (A/P/D milimetros)	1775/905/726



Ieteicams izmantot mūsu Haier klientu apkalpošanas dienesta pakalpojumus un oriģinālās rezerves daļas.

Ja rodas problēmas ar ierīci, lūdzu, vispirms skatiet sadaļu PROBLĒMU NOVĒRŠANA.

Ja tajā neatrodāt risinājumu, lūdzu, sazinieties ar

- ▶ vietējo izplatītāju vai
- ▶ mūsu Eiropas zvanu apkalpošanas centru (skatiet tālāk norādītos tālruņa numurus), vai
- ▶ skatiet pakalpojumu un atbalsta sadaļu (Service & Support) vietnē [www.haier.com](http://www.haier.com), kur varat aktivizēt apkopes
- ▶ pieprasījumu, kā arī atrast bieži uzdotos jautājumus.

Lai sazinātos ar mūsu apkalpošanas dienestu, pārliecinieties, vai jums ir pieejami tālāk minētie dati.

Informācija ir atrodama uz tehnisko datu plāksnītes.

Modelis \_\_\_\_\_

Sērijas Nr. \_\_\_\_\_

Garantijas pakalpojuma gadījumā pārbaudiet arī ierīcei pievienoto garantijas karti.

Eiropas zvanu apkalpošanas centrs		
Valsts*	Tālruņa numurs	Maksa
Haier Italy (IT)	199 100912	
Haier Spain (ES)	902 509 123	
Haier Germany (DE)	0180539 39 99	<ul style="list-style-type: none"><li>• 14 centi/min. (fiksētais tālrunis)</li><li>• maks. 42 centi/min. (mobilais tālrunis)</li></ul>
Haier Austrija (AT)	0820 001 205	<ul style="list-style-type: none"><li>• 14,53 centi/min. (fiksētais tālrunis)</li><li>• maks. 20 centi/min. (visi pārējie)</li></ul>
Haier United Kingdom (UK)	0333 003 8122	
Haier France (FR)	0980 406 409	



\* Citām valstīm, lūdzu, skatiet [www.haier.com](http://www.haier.com)

Haier Europe Trading S.r.l  
Filiāle Apvienotajā Karalistē  
Westgate House, Westgate, Ealing  
London, W5 1YY

\* Saldēšanas iekārtas garantijas termiņa periods:

Minimālais garantijas periods ir šāds: 2 gadi ES valstīs, 3 gadi Turcijā, 1 gads Apvienotajā Karalistē, 1 gads Krievijā, 3 gadi Zviedrijā, 2 gadi Serbijā, 5 gadi Norvēģijā, 1 gads Marokā, 6 mēneši Alžīrijā, Tunisijā nav nepieciešama juridiska garantija.

\* Ierīces remonta rezerves daļu termiņš:

Termostati, temperatūras sensori, iespiedshēmas plates un gaismas avoti ir pieejami vismaz septiņus gadus pēc modeļa pēdējās ierīces laišanas tirgū.

Durvju rokturi, durvju eņģes, paplātes un grozi — vismaz septiņus gadus, un durvju blīves — vismaz 10 gadus pēc modeļa pēdējās vienības laišanas tirgū.

\* Lai iegūtu plašāku informāciju par produktu, lūdzu, apmeklējiet vietni

<https://eprel.ec.europa.eu/> vai noskenējiet uz ierīces redzamo energoefektivitātes uzlīmes QR kodu.





Sikkerhetsinformasjon .....	578
Tiltenkt bruk .....	583
Produktbeskrivelse .....	584
Kontrollpanel.....	585
Bruk.....	586
Utstyr .....	599
Stell og rengjøring.....	601
Feilsøking .....	606
Installasjon.....	610
Tekniske data.....	615
Kundeservice .....	617



## Takk for at du kjøpte et Haier-produkt.

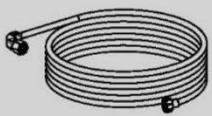
Les disse instruksjonene nøye før du bruker dette apparatet. Instruksjonene inneholder viktig informasjon som vil hjelpe deg å få det beste ut av apparatet og sikre sikker og riktig installasjon, bruk og vedlikehold.

Oppbevar denne håndboken på et praktisk sted slik at du alltid kan se den for sikker og riktig bruk av apparatet.

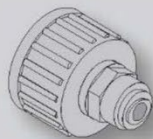
Hvis du selger apparatet, gir det bort eller lar det ligge igjen når du flytter, sørg for at du også passerer denne håndboken slik at den nye eieren kan bli kjent med apparatet og sikkerhetsadvarslene.

## Tilbehør

Sjekk tilbehøret og litteraturen i henhold til denne listen:



\*Vannrør



\*Vannkobling



Energimerke



Garantikort



Hurtigveiledning





## ADVARSEL - Viktig sikkerhetsinformasjon



## MERKNAD-Generell informasjon og tips



## Miljøinformasjon



### Kassering

Bidra til å beskytte miljøet og menneskers helse. Legg emballasjen i aktuelle beholdere for å resirkulere den. Bidra til å resirkulere avfall fra elektriske og elektroniske apparater. Ikke kast apparater merket med dette symbolet sammen med husholdningsavfallet. Returner produktet til ditt lokale resirkuleringsanlegg eller kontakt kommunekontoret.



## ADVARSEL!

Fare for skade eller kvelning!

Kjølemedier og gasser må kasseres på en profesjonell måte. Forsikre deg om at slangen til kjølemiddelkretsen ikke er skadet før den kastes på riktig måte. Koble apparatet fra strømnettet. Kutt av nettkabelen og kast den. Fjern skuffene og skuffene samt dørlåsen og pakningene, for å forhindre at barn og kjæledyr blir lukket i apparatet.

## Les følgende sikkerhetstips før du slår på apparatet for første gang!:



### ADVARSEL!

#### Før første gangs bruk

- ▶ Kontroller at det ikke er noen transportskade.
- ▶ Fjern all emballasje og oppbevar utilgjengelig for barn.
- ▶ Vent minst to timer før du installerer apparatet for å sikre at kjølemiddelkretsen er fullt effektiv.
- ▶ Håndter alltid apparatet med minst to personer fordi det er tungt.

#### Installasjon

- ▶ Apparatet bør plasseres på et godt ventilert sted. Sørg for en plass på minst 10 cm over og rundt apparatet.
- ▶ Plasser aldri apparatet på et fuktig sted eller et sted hvor det kan sprutes med vann. Rengjør og tørk vannsprut og flekker med en myk ren klut.
- ▶ Ikke installer apparatet i direkte sollys eller i nærheten av varmekilder (f.eks. komfyrer, varmeovner).
- ▶ Installer og juster apparatet i et område som passer for størrelse og bruk.
- ▶ Hold ventilasjonsåpningene i apparatet eller i den innebygde strukturen fri for hindringer.
- ▶ Forsikre deg om at den elektriske informasjonen på typeskiltet stemmer overens med strømforsyningen. Hvis ikke, kontakt en elektriker.
- ▶ Apparatet drives av en 220-240 VAC / 50 Hz strømforsyning. Unormal spenningssvingning kan føre til at apparatet ikke starter, eller at temperaturreguleringen eller kompressoren blir skadet, eller det kan være unormal støy under bruk. I slike tilfeller skal det monteres en automatisk regulator.
- ▶ Ikke bruk multipluggadaptore og skjøteledninger.
- ▶ Ikke plasser flere bærbare stikkontakter eller bærbare strømforsyninger på baksiden av apparatet.
- ▶ Pass på at strømkabelen ikke kommer i klem i kjøleskapet. Ikke tråkk på strømkabelen.



## ADVARSEL!

- ▶ Bruk en separat jordet stikkontakt for strømforsyningen som er lett tilgjengelig. Dette apparatet må jordes.

Bare for Storbritannia: Apparatets strømkabel er utstyrt med 3-ledningskontakt (jording) som passer til en standard 3-ledningskontakt (jordet). Aldri kutt av eller demonter den tredje pinnen (jording). Etter at apparatet er installert, skal støpselet være tilgjengelig.

- ▶ Ikke skad kjølevæskekretsen.

### Daglig bruk

- ▶ Dette apparatet kan brukes av barn i alderen fra åtte år og eldre og personer med nedsatt fysisk, sensorisk eller mental evne eller med mangel på erfaring og kunnskap, forutsatt at de blir veiledet eller gitt instruksjoner om bruk av apparatet på en trygg måte, og de forstår de involverte farene.
- ▶ Barn i alderen 3 til 8 år har lov til å laste og losse, men ikke til å rengjøre eller installere kjøleapparatene.
- ▶ Hold barn under 3 år unna apparatet med mindre de er under konstant tilsyn.
- ▶ Barn skal ikke leke med apparatet.
- ▶ Hvis kjølig gass eller annen brennbar gass lekker i nærheten av apparatet, må du slå av ventilen til den lekkende gassen, åpne dørene og vinduene og ikke trekke ut støpselet i strømkabelen til kjøleskapet eller andre apparater.
- ▶ Legg merke til at apparatet er innstilt for bruk ved et spesifikt omgivelsesområde mellom 10 og 38 °C. Apparatet fungerer kanskje ikke som det skal hvis det blir stående i en lengre periode ved en temperatur over eller under det angitte området.
- ▶ Ikke plasser ustabile gjenstander (tunge gjenstander, beholdere fylt med vann) oppå kjøleskapet for å unngå personskader forårsaket av fall eller elektrisk støt forårsaket av kontakt med vann.
- ▶ Ikke trekk i dørhyllene. Døren kan trekkes skrått, flaskestativet kan trekkes bort, eller apparatet kan velte.
- ▶ Åpne og lukk dørene kun med håndtakene. Avstanden mellom dørene og mellom dørene og skapet er veldig smal. Ikke strekk ut hendene i disse områdene for å unngå å klemme fingrene. Åpne eller lukk kjøleskapsdørene kun når det ikke er barn som står innenfor dørens bevegelsesområde.



### ADVARSEL!

- ▶ Ikke oppbevar eller bruk brennbare, eksplosive eller etsende materialer i apparatet eller i nærheten.
- ▶ Oppbevar ikke medisiner, bakterier eller kjemiske midler i apparatet. Dette apparatet er et husholdningsapparat. Det anbefales ikke å lagre materialer som krever strenge temperaturer.
- ▶ Oppbevar aldri væsker i flasker eller bokser (foruten høyprosent brennevin), spesielt kullsyreholdige drikker i fryseren, da disse vil sprekke under frysing.
- ▶ Sjekk tilstanden til maten hvis en oppvarming i fryseren har funnet sted.
- ▶ Ikke still inn unødvendig lav temperatur i kjøleseksjonen. Minustemperaturer kan forekomme ved høye innstillinger. Obs: Flasker kan sprekke
- ▶ Ikke berør frosne varer med våte hender (bruk hansker). Spesielt ikke spis ispinner umiddelbart etter at de er tatt ut av fryseren. Det er fare for frysing eller dannelse av frostblemmer. FØRSTEHJELP: oppbevares umiddelbart under rennende kaldt vann. Ikke trekk unna!
- ▶ Ikke berør innsiden av fryseboksen når den er i bruk, spesielt med våte hender, da hendene dine kan fryse fast på overflaten.
- ▶ Koble fra apparatet i tilfelle strømbrytning eller før rengjøring. Vent minst 7 minutter før du starter apparatet på nytt, siden hyppig start kan skade kompressoren.
- ▶ Ikke bruk elektriske enheter inne i matoppbevaringsrommene på apparatet, med mindre de er av typen anbefalt av produsenten. Vedlikehold/rengjøring
- ▶ Sørg for at barn er under oppsyn hvis de utfører rengjøring og vedlikehold.
- ▶ Koble apparatet fra strømforsyningen før du utfører rutinemessig vedlikehold. Vent minst 5 minutter før du starter apparatet på nytt, siden hyppig start kan skade kompressoren.



## ADVARSEL!

- ▶ Hold støpselet, ikke kabelen, når du kobler fra apparatet.
- ▶ Ikke rengjør apparatet med harde børster, stålbørster, vaskemiddelpulver, bensin, amylacetat, aceton og lignende organiske løsninger, sure eller alkaliske løsninger. Rengjør med spesielt kjøleskapsvaskemiddel for å unngå skade.
- ▶ Ikke skrap av frost og is med skarpe gjenstander. Ikke bruk spray, elektriske varmeovner som varmeovn, hårføner, damprensere eller andre varmekilder for å unngå skade på plastdelene.
- ▶ Ikke bruk mekaniske enheter eller andre metoder for å akselerere avrimingsprosessen, bortsett fra de som anbefales av produsenten.
- ▶ Hvis strømledningen er skadet, må den byttes ut av produsenten, serviceagenten eller tilsvarende kvalifiserte personer for å unngå fare.
- ▶ Ikke prøv å reparere, demontere eller modifisere apparatet selv. Kontakt vår kundeservice.
- ▶ Fjern støvet på baksiden av enheten minst én gang i året for å unngå fare ved brann, samt økt energiforbruk.
- ▶ Ikke spray eller skyl apparatet under rengjøring.
- ▶ Ikke bruk vannspray eller damp for å rengjøre apparatet.
- ▶ Ikke rengjør de kalde glasshyllene med varmt vann. Plutselige temperaturendringer kan føre til at glasset knuses.

## Informasjon om kjølemiddelgass



## ADVARSEL!

Apparatet inneholder det brennbare kjølemediet ISOBUTANE (R600a). Sørg for at kjølemiddelkretsen ikke er skadet under transport eller installasjon. Kjølemiddel som lekker kan forårsake øyeskader eller antennes. Hvis det har oppstått en skade, hold åpne ildkilder unna, ventiler rommet grundig, ikke plugg eller koble fra strømledningene til apparatet eller andre apparater. Informer kundeservice.

Hvis øynene kommer i kontakt med kjølemediet, skyl det umiddelbart under rennende vann og kontakt øyespesialisten umiddelbart.



## Tiltenkt bruk

Dette apparatet er beregnet for kjøling og frysing av mat. Det er designet eksklusivt for bruk i husholdninger og lignende applikasjoner som personalkjøkkenområder i butikker, kontorer og andre arbeidsmiljøer; gårdshus og av kunder i hoteller, moteller og andre boligmiljøer, samt i bed-and-breakfast og cateringvirksomhet. Den er ikke beregnet for kommersiell eller industriell bruk.

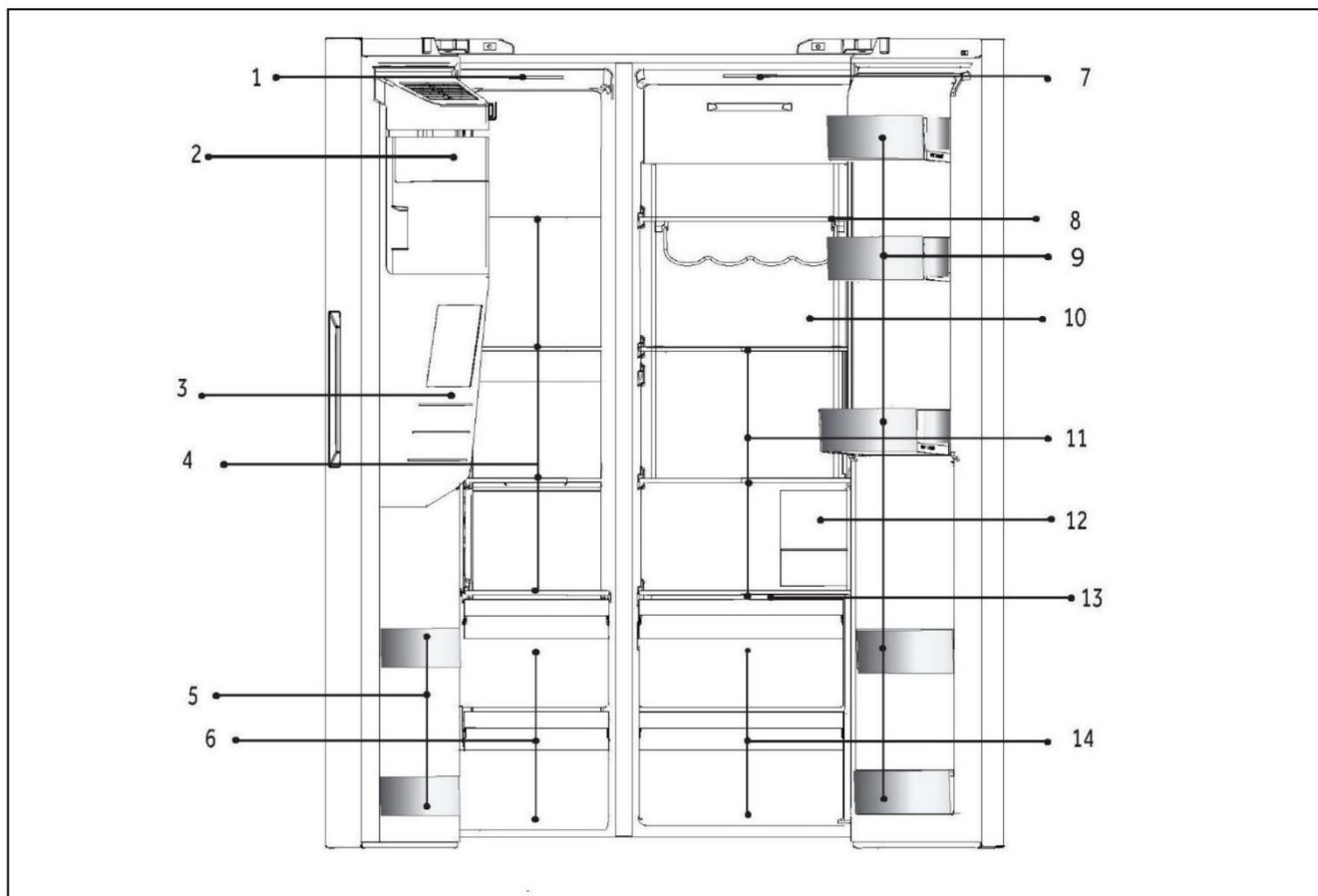
Endringer eller modifikasjoner på enheten er ikke tillatt. Utsiktet bruk kan forårsake farer og tap av garantikrav.

## Standarder og direktiver og

Dette produktet oppfyller kravene i alle gjeldende EC-direktiver med tilsvarende harmoniserte standarder og britiske standarder, som sørger for CE- og UKCA-merking.

**i** Obs

På grunn av tekniske endringer og forskjellige modeller kan noen av illustrasjonene i denne håndboken avvike fra din modell.



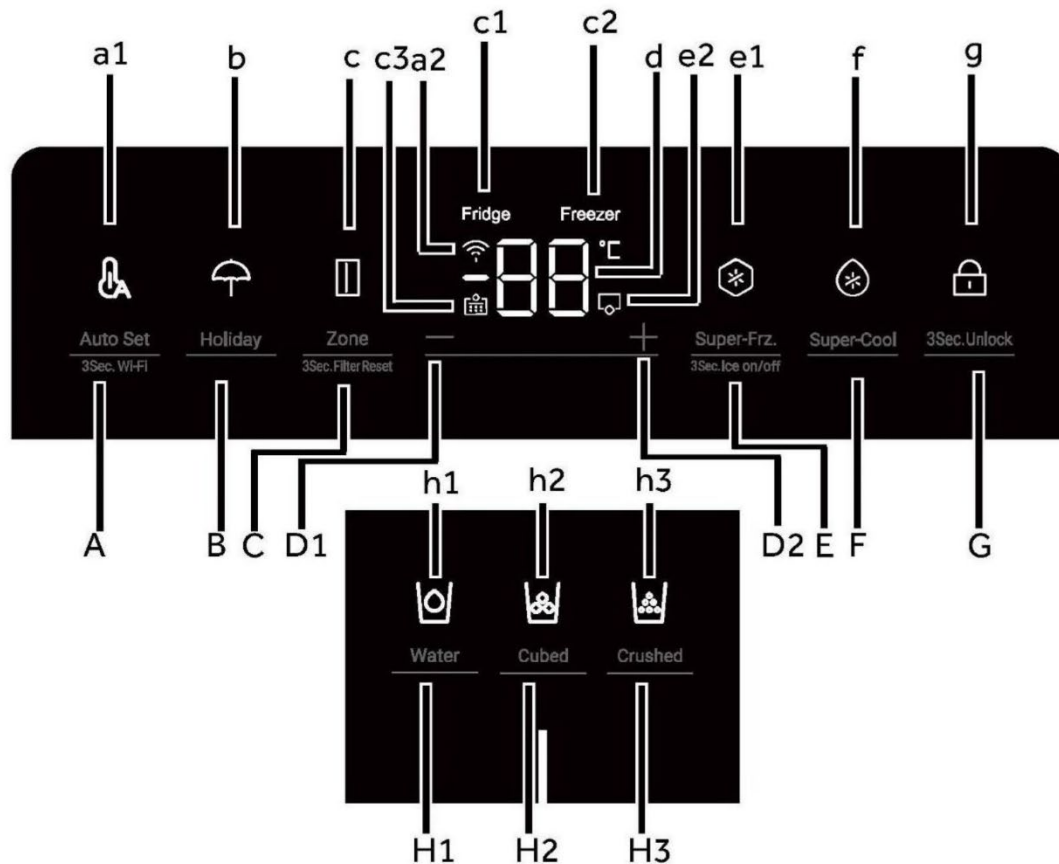
A: Fryserom

- 1 Taklampe
- 2 Ismaskin med isbeholder
- 3 Vann- og isdispenser
- 4 Glasshyller
- 5 Flaskeholder
- 6 Skuffer

B: Kjøleskaprom

- 7 Taklampe
- 8 Vinstativ
- 9 Flaskeholder
- 10 Lampe bak (HSW79F18DIPT)
- 11 Glasshyller
- 12 Vannfilter
- 13 Våtzone-dekkplate
- 14 Skuffer

## Kontrollpanel



Taster:

- A Auto Set-funksjon / 3Sec.Wi-Fi
- B Holiday-funksjon
- C Sonevalg/3Sec.Filter Reset
- D1 Temperaturjusteringsknapp "-"
- D2 Temperaturjusteringsknapp "+"
- E Super-Freeze-funksjon/3Sec. Ice on/ off
- F Super-Cool-funksjon
- G Panellåsvelger
- H1 Funksjonsvelger for vanninntak
- H2 Isbit-funksjonsvelger
- H3 Knust is-funksjonsvelger

Indikatorer:

- a1 Auto Set-modus
- a2 Wi-Fi-funksjon
- b Holiday-modus
- c Zone-indikator
- c1 Kjøleskapsindikator
- c2 Fryser-indikator
- c3 Filtertilbakestillingsfunksjon
- d Temperaturvisning
- e1 Super-Freeze-modus
- e2 Ismaskinmodus
- f Super-Cool-modus
- g Panellås
- h1 Vanninntaksfunksjon
- h2 Isbit-funksjon
- h3 Knust is-funksjon





## Før første gangs bruk

- ▶ Fjern all emballasje, oppbevar den utenfor barns rekkevidde og kast den på en miljøvennlig måte.
- ▶ Rengjør innsiden og utsiden av apparatet med vann og et mildt rengjøringsmiddel før du legger mat i det.
- ▶ Etter at apparatet er nivellert og rengjort, vent i minst 2-5 timer før du kobler det til strømforsyningen. Se avsnitt INSTALLASJON.
- ▶ Forkjøøl rommene ved høye innstillinger før du fyller med mat. Funksjonen Power-Freeze bidrar til å kjøle ned rommene raskt.
- ▶ Kjøleskapstemperaturen og frysertemperaturen stilles automatisk inn til henholdsvis 5 °C og -18 °C. Dette er de anbefalte innstillingene. Hvis du ønsker det, kan du endre temperaturen manuelt. Se JUSTERE TEMPERATUREN.

## Sensortaster

Knappene på kontrollpanelet er sensortaster, som allerede reagerer ved lett berøring med fingeren.

## Slå på/av apparatet

Apparatet er i drift så snart det er koblet til strømforsyningen.

Temperaturene som vises vil vise de innstilte temperaturene i rommet.

Kanskje panellåsen er aktiv.



## Legg merke til

Når apparatet slås på etter at det er koblet fra hovedstrømforsyningen, kan det ta opptil 12 timer før riktig temperatur oppnås.

Tøm apparatet før du slår det av. For å slå av apparatet, trekk strømledningen ut av stikkontakten.

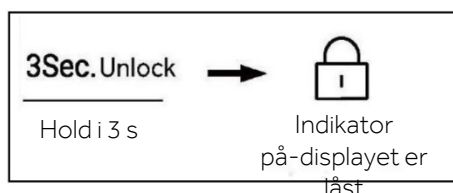


## OBS

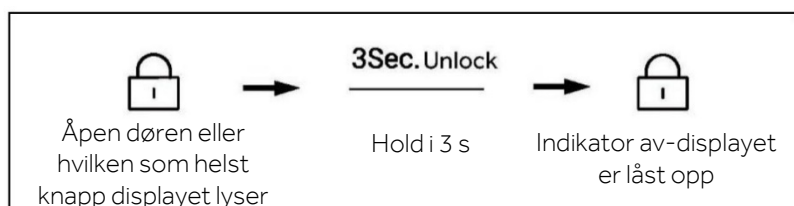
Når kjøleskapet slås på for første gang, lyser indikatoren. Kjøleskapstemperaturen og frysertemperaturen stilles automatisk inn til henholdsvis 5 °C og -18 °C.

## Lås / lås opp panel

1. Automatisk lås: Når kjøleskapsdøren, fryserdøren er lukket og det ikke er noen nøkkelbetjening innen 30 sekunder, vil skjermen automatisk slukkes og låses.



2. Manuell lås: Når skjermen er låst opp, trykker du på knappen "G" (velger for panellås) og holder den inne i 3 sekunder, summeren ringer én gang, indikatoren "g" (panellås) tennes, og skjermen er låst.



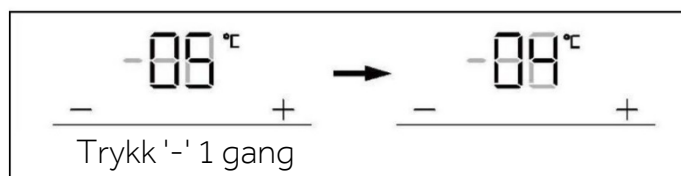
## Juster temperaturen

Innendørstemperaturene påvirkes av følgende faktorer:

- ▶ Omgivelsestemperatur
- ▶ Hyppighet av døråpning
- ▶ Mengde lagret mat
- ▶ Installasjon av apparatet

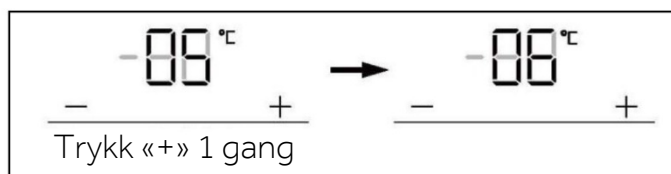
## Juster temperaturen for kjøleskapet

1. Når skjermbildet er låst opp, trykk på knappen «C» (sonevelger). Summeren ringer én gang, indikatoren «c1» (kjøleskapsindikator) blinker, og så kommer temperaturinnstillingsmodusen til kjøleskapet.
2. Trykk på knappen «D1» (temperaturjusteringsknapp «-») hver gang, summeren ringer én gang, innstilt temperatur på kjøleskapet reduseres med 1. Kjøleskapstemperaturen vises i sekvensen «9 °C > 8 °C > 7 °C > 6 °C > 5 °C > 4 °C > 3 °C > 2 °C > 1 °C».



### Juster temperaturen for kjøleskapet

- Trykk på knappen «D2» (temperaturjusteringsknapp «+») hver gang, summeren ringer én gang, innstilt temperatur på kjøleskapet økes med 1. Kjøleskapstemperaturen vises i sekvensen «1 °C > 2 °C > 3 °C > 4 °C > 5 °C > 6 °C > 7 °C > 8 °C > 9 °C»

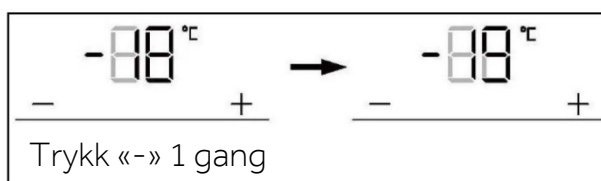


### Legg merke til

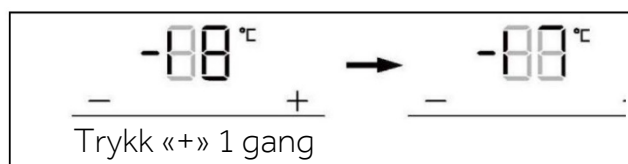
Etter innstilling av temperaturen, hvis det ikke er noen operasjon innen 5 sekunder, vil systemet automatisk bestemmes og lagre den innstilte temperaturen.

### Juster temperaturen for fryseren

- Når skjermbildet er låst opp, trykk på knappen «C» (sonevelger). Sommeren ringer én gang, indikatoren "c2" (Freezer-indikator) blinker, og så kommer temperaturinnstillingsmodusen til fryseren.
- Trykk på knappen «D1» (temperaturjusteringsknapp «-») hver gang, summeren ringer én gang, innstilt temperatur på fryseren reduseres med 1. Frysetemperaturen vises i sekvensen «-14 °C > -15 °C > -16 °C > -17 °C > -18 °C > -19 °C > -20 °C > -21 °C > -22 °C > -23 °C > -24 °C».



- Trykk på knappen «D2» (temperaturjusteringsknapp «+») hver gang, summeren ringer én gang, innstilt temperatur på fryseren økes med 1. Frysetemperaturen vises i sekvensen «-24 °C > -23 °C > -22 °C > -21 °C > -20 °C > -19 °C > -18 °C > -17 °C > -16 °C > -15 °C > -14 °C».

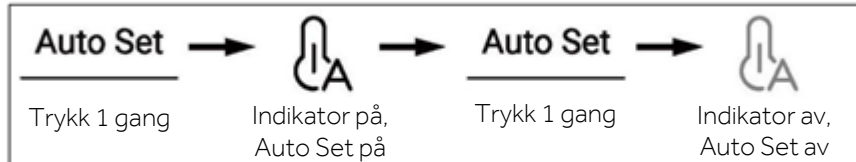


### Legg merke til

Etter innstilling av temperaturen, hvis det ikke er noen operasjon innen 5 sekunder, vil systemet automatisk bestemmes og lagre den innstilte temperaturen.

## Auto Set-modus

1. Når skjermen er låst opp, trykk på knappen «A» (velger for Auto Set-modus), summeren ringer én gang, indikatoren «a1» (Auto Set-modus) tennes, og deretter slås Auto Set-funksjonen på.
2. Når indikatoren «a1» (Auto Set-modus) tennes, trykk på knappen «A» (Auto Set-modusvelger), summeren ringer én gang, indikatoren «a1» (Auto Set-modus) slukkes, og deretter Auto Set-funksjonen vil bli slått av.



## Legg merke til

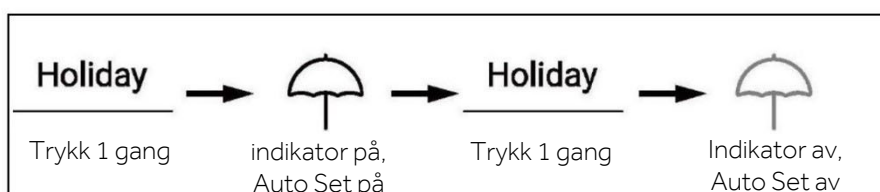
I Auto Set-modus kan ikke kjøleskaps- eller frysetemperaturen justeres. Hvis enten knappen «D1» (temperaturjusteringsknapp «-») eller knappen «D2» (temperaturjusteringsknappen «+») trykkes inn for å justere temperaturen på kjøleskapet eller fryseren, vil indikatoren «a1» (Auto Set-indikator) blinke med en melding lyd for å indikere at denne operasjonen ikke kan utføres.

I Auto Set-modus, på grunn av forskjellige kontrollmetoder, hvis funksjonen «Super-Cool» eller «Super-Freeze» eller «Holiday» er innstilt, slukkes indikatoren «a1» (Auto Set-modus), og deretter vil Auto Set-funksjonen automatisk avsluttes.

## Holiday-modus

Holiday-modus er laget for å ikke bruke kjøleskapet på lenge. Når Holiday-modus er slått på, er fryseren under normal kontroll, og temperaturen på kjøleskapet settes automatisk til 17 °C. Den faktiske temperaturen er ikke høyere enn 17 °C, noe som forhindrer særegen lukt forårsaket av overtemperatur, og bidrar til å redusere energiforbruket samtidig.

1. Når skjermbildet er låst opp, trykk på knappen "B" (Velger for Holiday-modus), summeren ringer én gang, indikatoren "b" (Holiday-modus) tennes, og deretter slås Holiday-funksjonen på.
2. Når indikatoren «b» (Holiday-modus) tennes, trykker du på knappen «B» (Holiday-modusvelger), summeren ringer én gang, indikatoren «b» (Holiday-modus) slukkes, og deretter slås Holiday-funksjonen av.



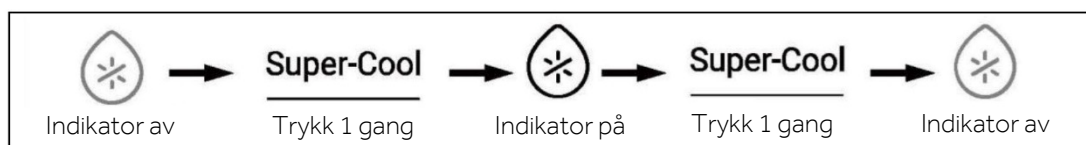
## Legg merke til

Under Holiday-tilstand kan ikke kjøleskapstemperaturen justeres. Hvis enten knapp «D1» (temperaturjusteringsknapp «-») eller knapp «D2» (temperaturjusteringsknapp «+») trykkes inn for å justere temperaturen på kjøleskapet, vil indikatoren «b» (Holiday-indikator) blinke med en melding lyd for å indikere at denne operasjonen ikke kan utføres.

Før du bruker Holiday-funksjonen, må du tømme kjøleskapet for å unngå at maten blir dårlig i det. Når Holiday-funksjonen er slått på, kan ikke funksjonen "Auto Set" eller "Super-Cool"-funksjonen slås på samtidig.

### Super-Cool-funksjon

1. Når skjermen er låst opp, trykk på knappen "F" (Super-Cool-velger), summeren ringer én gang, indikatoren "f" (Super-Cool-funksjon) tennes, og deretter vil Super-Cool-funksjonen slås på.
2. Når indikatoren «f» (Super-Cool-funksjon) tennes, trykker du på knappen «F» (Super-Cool-velger), summeren ringer én gang, indikatoren «f» (Super-Cool-funksjon) slukker, og deretter Super-Cool-funksjonen vil bli slått av.
3. Etter at Super-Cool-funksjonen er slått på, vil kjøleskapet automatisk slå av funksjonen når det når den innstilte tilstanden. Hvis du vil avslutte manuelt, kan du trykke på knappen "F" (Super-Cool-velger) for å slå den av.



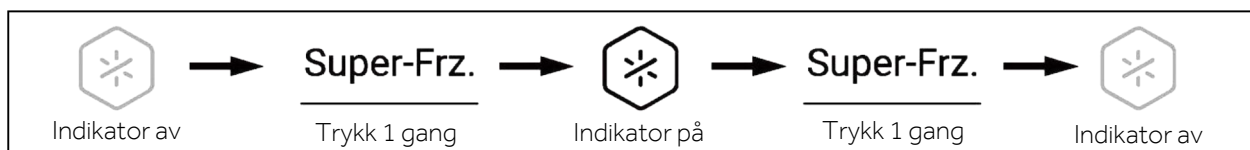
## Legg merke til

Under Super-Cool tilstand kan ikke kjøleskapstemperaturen justeres. Hvis enten knapp "D1" (temperaturjusteringsknapp "-") eller knapp "D2" (temperaturjusteringsknapp "+") trykkes inn for å justere temperaturen på kjøleskapet, vil indikatoren "f" (Super-Cool-indikator) blinke med en melding lyd for å indikere at denne operasjonen ikke kan utføres.

I tilstanden Super-Cool-funksjonen kan ikke Auto-Set- eller Holiday-funksjonen slås på samtidig på grunn av forskjellige kontrollmoduser. Når du velger en funksjon som er i konflikt med en annen funksjon, avsluttes den opprinnelige funksjonen automatisk.

## Super-Freeze-funksjon (Super-Frz)

1. Når skjermen er låst opp, trykk på knappen «E» (Super-Frz.-velger), summeren ringer én gang, indikatoren «e1» (Super-Freeze-funksjon) tennes, og deretter vil Super-Freeze-funksjonen slås på.
2. Når indikatoren «e1» (Super-Freeze-funksjon) tennes, trykker du på knappen «E» (Super-Frz.-velger), summeren ringer én gang, indikatoren «e1» (Super-Freeze-funksjon) slukker, og deretter Super-Freeze-funksjonen vil bli slått av.
3. Etter at Super-Freeze-funksjonen er slått på, vil kjøleskapet automatisk slå av funksjonen når den når den innstilte tilstanden. Hvis du vil avslutte manuelt, kan du trykke på knappen "E" (Super-Frz.-velger) for å slå den av.



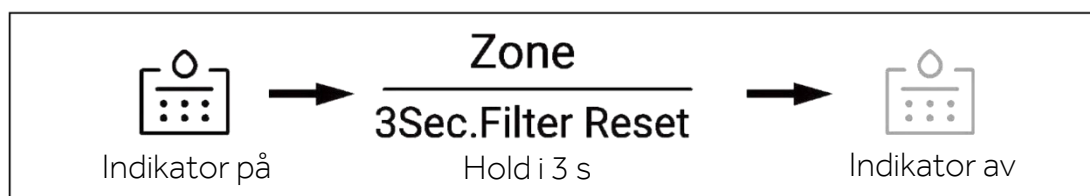
### Legg merke til

Under Super-Freeze-tilstand kan ikke frysertemperaturen justeres. Hvis enten knappen "D1" (temperaturjusteringsknapp "-") eller knappen "D2" (temperaturjusteringsknappen "+") trykkes inn for å justere temperaturen på fryseren, vil indikatoren "e1" (Super-Frz.-indikator) blinke med en melding lyd for å indikere at denne operasjonen ikke kan utføres.

I tilstanden Super-Freeze-funksjonen kan ikke Auto-set-funksjonen slås på samtidig på grunn av forskjellige kontrollmoduser. Når du velger en funksjon som er i konflikt med en annen funksjon, avsluttes den opprinnelige funksjonen automatisk.

## Filterfunksjon

Når kjøleskapet er i drift i seks måneder, vil påminnesindikatoren "c3" (Filtertilbakestillingsfunksjon) lyse for å minne brukerne på å bytte ut med et nytt filter. Når filteret er skiftet, holder du knappen "C" (velger for filtertilbakestilling) i 3 sekunder for å avbryte påminnelsen, tidspunktet vil nullstilles med summering.

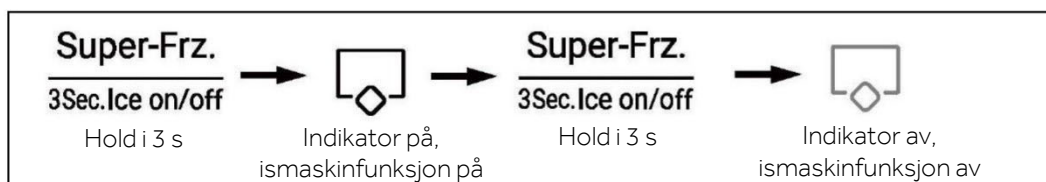


### Legg merke til

Normal levetid for filteret er seks måneder. Det anbefales å skifte filteret hver sjetten måned.

## Ismaskinmodus

1. I ulåst tilstand, trykk på knappen «E» (velger for ismaskinmodus) og hold den i 3 sekunder, summeren ringer én gang, indikatoren «e2» (ismaskinmodus) tennes, og deretter slås ismaskinmodus på.
2. Når indikatoren «e2» (ismaskinmodus) lyser, trykk på knappen «E» (velger for ismaskinmodus) og hold i 3 sekunder, summeren ringer én gang, indikatoren «e2» (ismaskinmodus) slukker, og deretter ismaskinmodus vil bli slått av.



### Obs

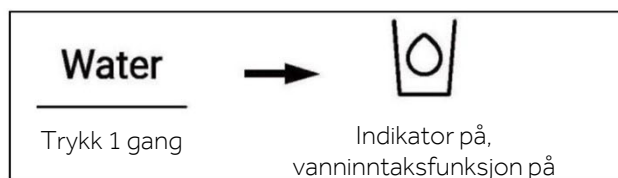
Når applikasjonen er slått på, er ismaskinen av som standard.

Når du ikke trenger isbiter over en lengre periode, vennligst slå av Ismaskinfunksjonen, tøm beholderen og sett inn den rengjorte beholderen.

Ismaskinen kan kun konfigureres hos produsenten eller kjøpes fra dennes serviceagent.

## Vanninntaksfunksjon

Under en hvilken som helst tilstand (låst eller ulåst), trykk på knappen "H1" (Velger for vanninntaksfunksjon), summeren ringer én gang, indikatoren "h1" (vanninntaksfunksjon) tennes, og deretter vil vanninntaksfunksjonen slås på.

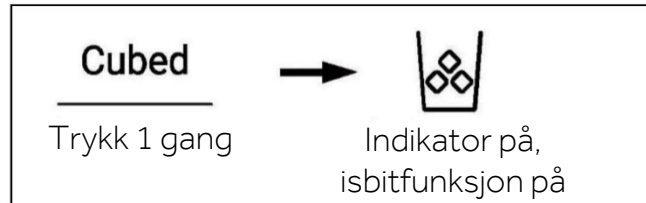


### Obs

1. Når indikatoren «h1» (vanninntaksfunksjon) lyser, slukker indikatoren «h2» (isbitfunksjon) og indikatoren «h3» (knust is-funksjon). Når du har trykket på dispenserspaken, strømmer vann ut av inntaksporten.
2. Når vanninntakstiden når 150s vil kjøleskapet pipe og holde på vann til tiden når 180s, vannet vil stenges av og vannventilen går inn i 200s beskyttelsestiden, og deretter kan vanninntaket gjennomføres igjen.
3. Når den akkumulerte vanninntakstiden når 5 min innen 10 min, går vannventilen inn i 10 min beskyttelsestiden, og deretter kan vanninntaket utføres på nytt.

## Isbit-funksjon

Under en hvilken som helst tilstand (låst eller ulåst), trykk på knappen "H2" (isbit-funksjonsvelger), summeren ringer én gang, indikatoren "h2" (isbit-funksjon) tennes, og deretter vil isbit-funksjonen slås på.

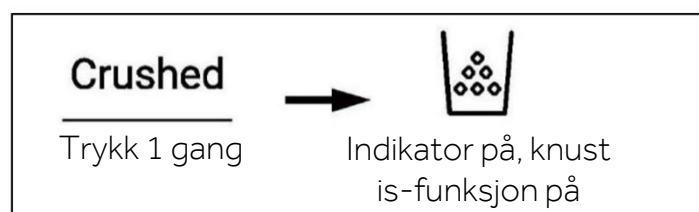


### Obs

1. Når indikatoren «h2» (isbitfunksjon) tennes, slukkes indikatoren «h1» (vanninntaksfunksjon) og indikatoren «h3» (knust is-funksjon). Etter at mikrobryteren til fordeleren er trykket inn, vil isbiter strømme ut av inntaksporten.
2. Når ismaskinen først kobles til strøm for å fungere, er isbit-funksjonen slått av som standard.
3. Trykk på mikrobryteren på dispenseren, lyset på den tennes med dekselet åpent. Deretter begynner motoren for å knuse is å rotere mot klokken for å presse isbiter. Løsne mikrobryteren på dispenseren, lyset på den slukker med motoren til å knuse isen stopper, dekselet på dispenseren lukkes etter 5 sekunder.
4. Under tilstanden isbit, når isbit-tiden er lengre enn 50 sekunder, vil det være en summer som begynner å varsle (banke) for å legge merke til at brukere må slå den av. Når tiden når 1 minutt, tvinges den til å stoppe isbit, og den er effektiv når bryteren trykkes inn neste gang.
5. Under isbit, hvis kjøleskapsdøren åpnes, vil motoren som leverer is stoppe, med dekselet på dispenseren lukket, lyset på dispenseren av, og isbit stoppes.
6. Det er ikke mulig å få is med kjøleskapsdøren åpen.

## Knust is-funksjon

I en hvilken som helst tilstand (låst eller ulåst) trykker du på knappen «H3» (velger knust is-funksjon), summeren ringer én gang, indikatoren «h3» (knust is-funksjon) tennes, og deretter slås knust is-funksjonen på.





## Obs

Når indikatoren "h3" (knust is-funksjon) tennes, slukkes indikatoren "h1" (vanninntaksfunksjon) og indikatoren "h2" (isbitfunksjon). Etter at mikrobryteren til fordeleren er trykket inn, vil knust is strømme ut av inntaksporten.

Trykk på mikrobryteren på dispenseren, lyset på den tennes med dekselet åpent. Deretter begynner motoren for å knuse is å rotere med klokken for å presse isbiter. Løsne mikrobryteren på dispenseren, lyset på den slukker med motoren til å knuse isen stopper, dekselet på dispenseren lukkes etter 5 sekunder.

Under tilstanden for knust is, når tiden for knust is er lengre enn 50 sekunder, vil det være en summer som begynner å varsle (banke) for å legge merke til at brukere må slå den av. Når tiden når 1 minutt tvinges den til å stoppe knust is, og den er effektiv når bryteren trykkes inn neste gang.

Under knust is, hvis kjøleskapsdøren åpnes, vil motoren som leverer is stoppe, med dekselet på dispenseren lukket, lyset på dispenseren av og knust is vil bli stoppet. Det er forbudt å knuse is med åpen kjøleskapsdør.

## Døråpningsalarm

Hvis en dør holdes åpen for lenge eller døren ikke er godt lukket, vil kjøleskapet utløse en pipealarm med angitte intervaller for å minne deg på å lukke døren i tide.

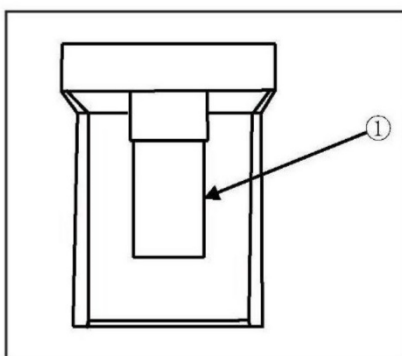
## Slå av minnet

Den umiddelbare arbeidstilstanden for strømavbrudd huskes. Etter at den er slått på igjen, fungerer den fortsatt i henhold til innstillingen før den slås av.

## Bruke is- og vanddispenseren

Trykk på dispenservalgknappen gjentatte ganger til lyset over indikatoren du ønsker tennes.

Trykk på dispenserpadlen (1) med et glass eller annen beholder for å dispensere isbiter, vann eller knust is.

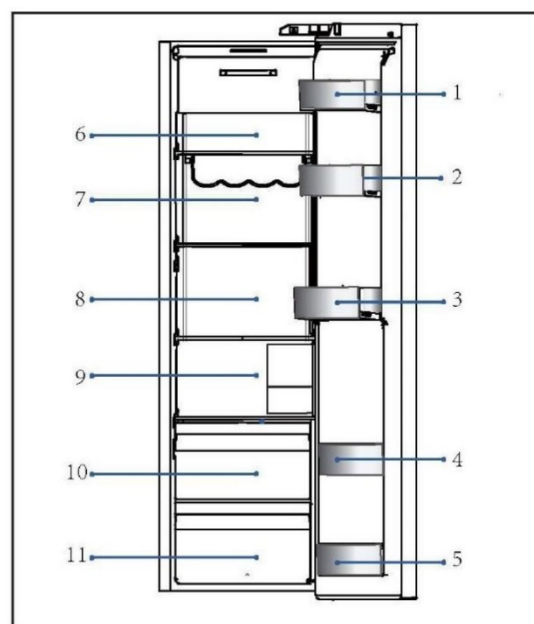


## TIPS OM OPPBEVARING AV FERSK MAT

### Oppbevaring i kjøleskapet

1. Hold kjøleskapstemperaturen under 5 °C.
2. Varm mat må avkjøles til romtemperatur før den lagres i apparatet.
3. Matvarer som oppbevares i kjøleskapet bør vaskes og tørkes før oppbevaring.
4. Mat som skal lagres bør forsegles ordentlig for å unngå lukt eller smakendringer.
5. Ikke oppbevar for store mengder mat. La det være mellomrom mellom matvarene slik at kald luft kan strømme rundt dem, for en bedre og mer homogen avkjøling.
6. Mat som spises daglig bør oppbevares foran på hyllen.
7. La det være et gap mellom maten og de indre veggene, slik at luften kan strømme. Ikke oppbevar matvarer mot bakveggen: mat kan fryse mot bakveggen. Unngå direkte kontakt av mat (spesielt fet eller sur mat) med innerliner, da olje/syre kan erodere innerliner. Rens bort oljeaktig/surt smuss når det blir funnet.
8. Frys ned frossen mat i oppbevaringsrommet i kjøleskapet. På denne måten kan du bruke den frosne maten til å senke temperaturen i rommet og spare energi.
9. Aldringsprosessen til frukt og grønnsaker som squash, meloner, papaya, banan, ananas osv. kan fremskyndes i kjøleskapet. Derfor er det ikke tilrådelig å oppbevare dem i kjøleskapet. Imidlertid kan modningen av sterkt grønne frukter fremmes i en viss periode. Løk, hvitløk, ingefær og andre rotgrønnsaker bør også oppbevares ved romtemperatur.
10. Ubehagelig lukt inne i kjøleskapet er et tegn på at noe har sølt og rengjøring er nødvendig. Se PLEIE OG RENGJØRING.
11. Ulike typer mat bør plasseres i forskjellige områder i henhold til deres egenskaper:

- 1-Smør, ost, osv.
- 2-Egg, hermetikk, krydder, osv.
- 3/4/5-Drikke og flaskemat
- 6-Syltet mat, hermetikk osv
- 7/8-Kjøttprodukter, fisk, råkost
- 9-Bokser, meieriprodukter, osv.
- 10-Frukt, grønnsaker, salat, osv.
- 11-Kokt kjøtt, pølser, osv.

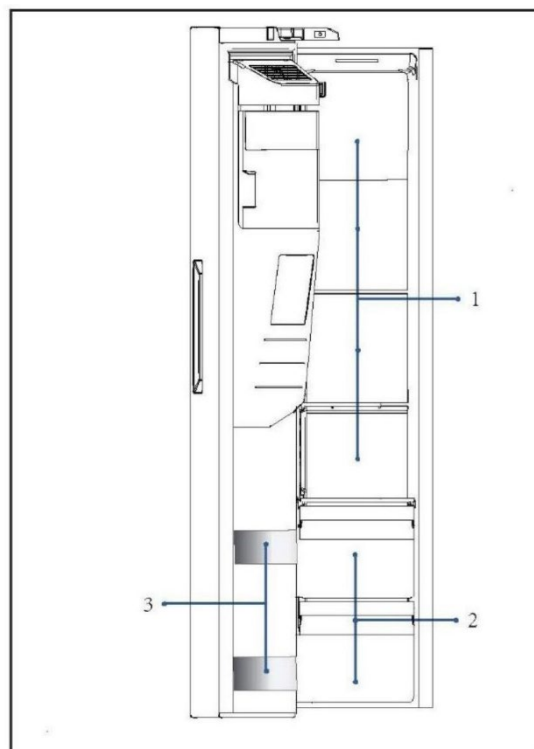


## TIPS OM OPPBEVARING AV FERSK MAT

### Oppbevaring i fryseren

1. Hold fryseren ved -18 °C.
2. Slå på Super-Freeze-funksjonen 12 timer før frysing. For små mengder mat er 4-6 timer tilstrekkelig.
3. Varm mat må avkjøles til romtemperatur før oppbevaring i fryseseksjonen.
4. Mat kuttet i små porsjoner vil fryse raskere og er lettere å tine og tilberede. Den anbefalte vekten for hver porsjon er mindre enn 2,5 kg.
5. Det er bedre å pakke maten før du legger den i fryseren. Utsiden av emballasjen må være tørr for å unngå at poser klistrer seg sammen. Emballasjematerialer skal være luktfritt, lufttett, ikke-giftig og ikke-giftig.
6. For å unngå utløp av lagringsperioder, vær oppmerksom på frysedato, tidsbegrensning og navn på maten på emballasjen i henhold til oppbevaringsperioder for ulike matvarer.
7. **ADVARSEL!** Syre, alkali og salt etc. kan erodere den indre overflaten av fryseren. Ikke plasser maten som inneholder disse stoffene (f.eks. sjøfisk) direkte på den indre overflaten. Saltvann i fryseren bør ryddes opp umiddelbart.
8. Ikke overskrid lagringstidene som er anbefalt av produsentene. Ta bare den nødvendige mengden mat ut av fryseren.
9. Ulike typer mat bør plasseres i forskjellige områder i henhold til deres egenskaper:

- 1- Mindre tunge ting, som is, grønnsaker, brød osv.
- 2- Store/tyngre porsjoner mat, som f.eks kjøttstykker for steking
- 3- Pizza osv.





## OBS: OPPBEVARING

1. Hold en avstand på mer enn 10 mm mellom maten og sensoren for å sikre kjøleeffekten.
2. La den nederste skuffen stå i apparatet når det er i drift for å sikre kjøleeffekten.
3. Matvarer som inkluderer is (som iskrem osv.) bør oppbevares inne i fryseren i stedet for i flaskeholderne. Temperaturendringene flaskeholderne utsettes for, forårsaket av åpning og lukking av døren, kan tine opp maten.
4. Spis tint mat raskt. Tint mat kan ikke fryses på nytt med mindre den er tilberedt først, ellers kan den bli uspiselig.
5. Ikke legg for store mengder fersk mat i fryseseksjonen. Se fryserens frysekapasitet – Se TEKNISKE DATA eller data på typeskiltet.
6. Mat kan oppbevares i fryseren ved en temperatur på minst  $-18^{\circ}\text{C}$  i 2 til 12 måneder, avhengig av egenskapene (f.eks. kjøtt: 3-12 måneder, grønnsaker: 6-12 måneder)
7. Når du fryser fersk mat, unngå å bringe den i kontakt med allerede frossen mat. Fare for tining!
8. Frys ned frossen mat i kjøleskapet. På denne måten kan du bruke den frosne maten til å senke temperaturen i rommet og spare energi.

### Når du oppbevarer kommersielt frossen mat, følg disse retningslinjene:

1. Følg alltid produsentens retningslinjer for hvor lenge du bør oppbevare mat. Ikke overskrid disse retningslinjene!
2. Prøv å holde tiden mellom kjøp og lagring så kort som mulig for å bevare matkvaliteten.
3. Kjøp frossen mat som har blitt lagret ved en temperatur på  $-18^{\circ}\text{C}$  eller lavere.
4. Unngå å kjøpe mat som har is eller frost på emballasjen - Dette indikerer at produktene kan ha blitt delvis tint og frosset på nytt ved noen punkttemperaturstigninger som påvirker kvaliteten på maten.

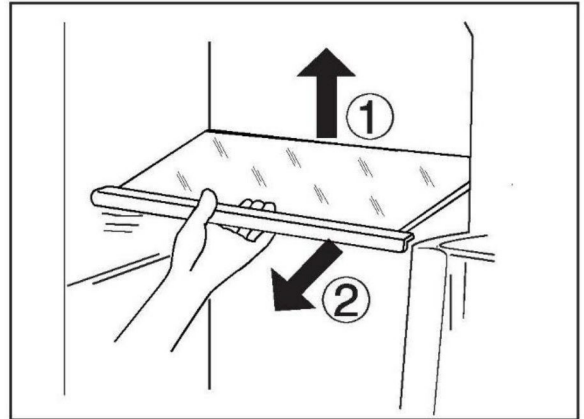


## Energisparetips

- ▶ Sørg for at apparatet er skikkelig ventilert (se INSTALLASJON).
- ▶ Ikke installer apparatet i direkte sollys eller i nærheten av varmekilder (f.eks. komfyrer, varmeovner).
- ▶ Unngå unødvendig lav temperatur i apparatet. Energiforbruket øker jo lavere temperaturen i apparatet stilles inn.
- ▶ Funksjoner som POWER-FREEZE bruker mer energi.
- ▶ La varm mat avkjøles før du plasserer den i apparatet.
- ▶ Åpne apparatdøren så lite og så kort som mulig.
- ▶ Ikke overfyll apparatet for å unngå å hindre luftstrømmen.
- ▶ Unngå luft i matemballasjen.
- ▶ Hold dørpakninger rene slik at døren alltid lukkes riktig.
- ▶ Frys ned frossen mat i oppbevaringsrommet i kjøleskapet.
- ▶ Den mest energibesparende konfigurasjonen krever at apparatet holder skuffer, matboks og hyller i fabrikkfri tilstand, og maten bør plasseres så langt som mulig uten å blokkere luftutløpet til kanalen.

### Justerbare hyller

1. Høyden på hyllene kan justeres for å passe dine oppbevaringsbehov.
2. For å flytte en hylle, fjern den først ved å løfte bakkanten ① og trekke den ut ②.
3. For å installere den igjen, sett den på tappene på begge sider og skyv den til bakerste posisjon til baksiden av hyllen er festet inne i sporene i sidene.

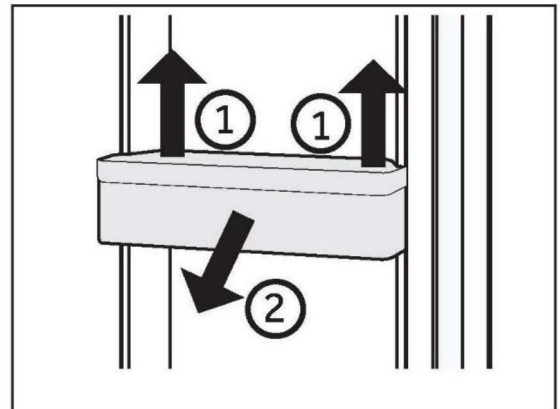


### **i** OBS

Sørg for at alle ender av en hylle er i vater.

### Avtakbare dørhyller / flaskeholder

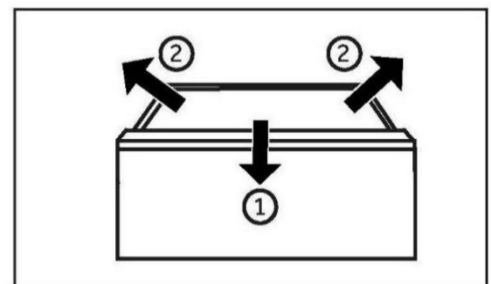
1. Dørhyllene/flaskeholderen kan tas ut for rengjøring:
2. Plasser hendene på hver side av stativet/ flaskeholderen, løft det oppover ① og dra det ut ②.
3. For å sette inn dørstativet/flaskeholderen, utføres trinnene ovenfor i omvendt rekkefølge.



### Avtakbar skuff

For å ta ut skuffen, trekk ut maksimalt ①, løft og fjern ②.

For å sette inn skuffen, utføres trinnene ovenfor i omvendt rekkefølge.



### Isbeholder

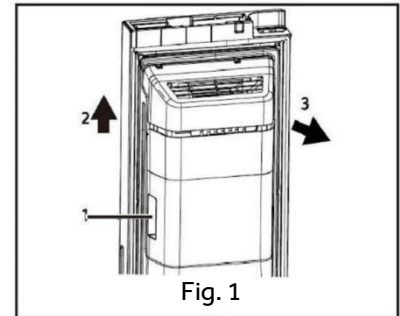
#### Stoppe produksjonen av is

Hvis det ikke er behov for is eller vann over lengre tid, kan ventilen mellom vanntilførselen og apparatet slås av.

Isboksen bør rengjøres, tørkes og settes tilbake i apparatet for å forhindre at det oppstår lukt.

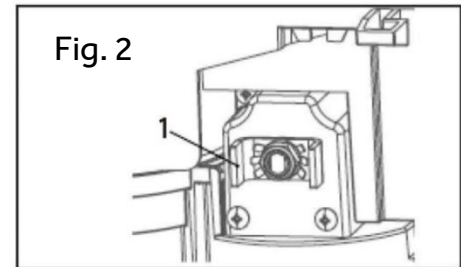
### Fjerning av isbeholderen

1. Ta tak i begge sidehengerne.
2. Løft beholderen opp.
3. Trekk beholderen ut.



### Montering av isbeholderen

For å installere isbeholderen på nytt, må den U-formede braketten bak isbeholderen (1 i fig. 2) være på linje med den tilsvarende metallstrukturen. Følg trinnene fra fig. 1 i motsatt rekkefølge.



### OBS

Fuktighet kan kondensere og fryse isboksen på plass.



### ADVARSEL!

Koble apparatet fra strømforsyningen før rengjøring.

#### Rengjøring

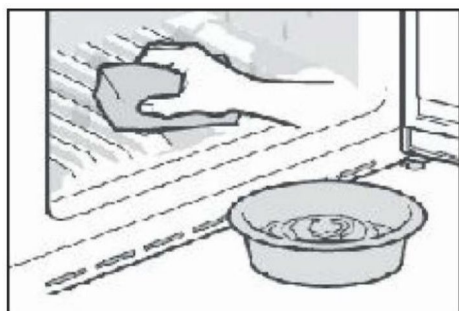
Rengjør apparatet når bare lite eller ingen mat er lagret.

Apparatet bør rengjøres hver fjerde uke for godt vedlikehold og for å forhindre dårlig matlagring.



### ADVARSEL!

- ▶ Ikke rengjør apparatet med harde børster, stålbørster, vaskemiddelpulver, bensin, amylacetat, aceton og lignende organiske løsninger, sure eller alkaliske løsninger. Rengjør med spesielt kjøleskapsvaskemiddel for å unngå skade.
- ▶ Ikke spray eller skyl apparatet under rengjøring.
- ▶ Ikke bruk vannspray eller damp for å rengjøre apparatet.
- ▶ Ikke rengjør de kalde glasshyllene med varmt vann. Plutselige temperaturendringer kan føre til at glasset knuses.
- ▶ Ikke berør innsiden av fryserommet, spesielt med våte hender, siden hendene dine kan fryse fast på overflaten.
- ▶ Ved oppvarming kontroller tilstanden til frosne varer.



- ▶ Hold alltid dørpakningen ren.
- ▶ Rengjør innsiden og huset til apparatet med en svamp fuktet i varmt vann og nøytralt rengjøringsmiddel.
  1. Skrub innsiden og utsiden av kjøleskapet, inkludert dørforsegling, dørhulle, glasshyller, bokser og så videre, med et mykt håndkle eller svamp dyppet i varmt vann (du kan tilsette nøytralt vaskemiddel i det varme vannet).
  2. Hvis det er sølt væske, fjern alle de forurensede delene, skyll direkte med strømningsvannet, tørk og sett den tilbake i kjøleskapet.
  3. Hvis det er sølt krem (som krem, smeltende is krem), fjern alle de forurensede delene, legg i varmt vann med ca. 40 °C i en stund, skyll deretter med flytevannet, tørk og legg det tilbake i kjøleskapet.
  4. I tilfelle en liten del eller komponent setter seg fast inne i kjøleskapet (mellom hyller eller skuffer), bruk en liten myk børste for å frigjøre den. Hvis du ikke kunne nå delen, kontakt Haier-service
- ▶ Skyll og tørk med en myk klut.
- ▶ Ikke rengjør deler av apparatet i oppvaskmaskin.
- ▶ La det gå minst fem minutter før du starter apparatet på nytt, ettersom hyppig start kan skade kompressoren.

#### Avriming

Avrimingen av kjøleskapet og fryseseksjonen gjøres automatisk; ingen manuell betjening er nødvendig.



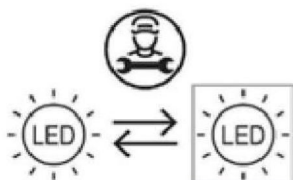
Skifte ut LED-lampene



### ADVARSEL!

Ikke skift ut LED-lampen selv, den må kun skiftes av enten produsenten eller en autorisert serviceagent.

Lampene bruker LED som lyskilde, med lavt energiforbruk og lang levetid. Hvis det er noe unormalt, vennligst kontakt kundeservice. Se KUNDESERVICE.



Utskiftbar (kun LED) lyskilde av en profesjonell.

Dette produktet inneholder en lyskilde med energieffektivitetsklasse G.

Rom	Spenning	Energieffektivitetsklasse	Modell
Kjøleskap	12 V	G	HSW59F18DIMM
Fryser	12 V	G	HSW79F18DIPT
Baklampe	12 V	G	HSW79F18DIPT

### Rengjøring av isbeholderen

Rengjør isbeholderen med jevne mellomrom med varmt vann, spesielt hvis isbiter blir eldre og bedervede. Tørk beholderen godt før du setter den tilbake i apparatet for å forhindre at isbiter fester seg til veggene.

### Ikke brukt over lengre tid

Hvis apparatet ikke skal brukes over en lengre periode, og du ikke vil bruke Holiday-funksjonen til kjøleskapet:

- ▶ Ta ut maten.
- ▶ Trekk ut strømledningen.
- ▶ Rengjør apparatet som beskrevet ovenfor.
- ▶ Hold dørene åpne for å forhindre dannelse av vond lukt inne.



### OBS

Slå av apparatet kun hvis det er strengt nødvendig.



### Flytte apparatet

1. Fjern all mat og trekk ut stikkontakten.
2. Fest hyller og andre bevegelige deler i kjøleskapet og fryseren med teip.
3. Ikke vipp kjøleskapet mer enn 45° for å unngå å skade kjølesystemet.



### ADVARSEL!

- ▶ Ikke løft apparatet i håndtakene.
- ▶ Plasser aldri apparatet horisontalt på bakken.

### Skifte filter

Vannfilteret må skiftes omtrent hver 6. måned, når indikatoren "c3" (Filtertilbakestillingsfunksjon) lyser.

Slik kjøper du et nytt vannfilter:

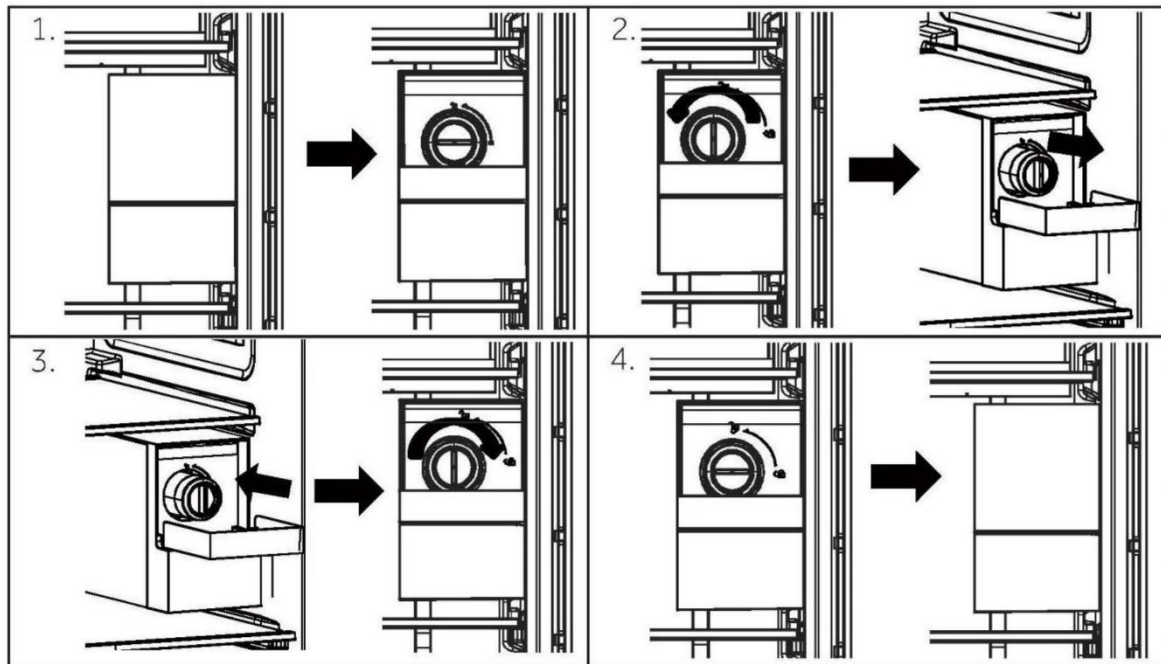
- Bruk en ny patron: HRXWF,
- Besøk din lokale forhandler eller distributør. For ytterligere hjelp, besøk vår nettside på [www.haierspares.eu](http://www.haierspares.eu)



### Obs

- ▶ Utskifting av vannfilteret fører til at en liten mengde vann (rundt 1 oz. eller 25 cc) renner ut.
- ▶ Pakk en klut rundt den fremre enden av vannfilterdekselet for å samle opp vann som lekker. Hold vannfilteret oppreist når det er fjernet, for å forhindre at gjenværende vann renner ut av vannfilteret.

1. Trykk ned midten av det øvre dekselet og vri ned.
2. Fjern engangsvannfilteret.
3. Bytt ut med et nytt vannfilter. Sett det nye filteret inn i filterhodet og roter det med klokken til pilen på det nye filteret er på linje med pilen på filterhodet. Sving filteret tilbake i rommet.
4. Lukk vannfilterdekselet.



5. Trykk og hold inne i 3Sec. Filter Reset-knapp i 3 sekunder.
6. Dispenser vann i ca. 5 minutter for å fjerne innestengt luft og forurensninger.



### FORSIKTIGHET!

- ▶ Unnlatelse av å skifte filtre når det er nødvendig eller bruk av vannfiltre som ikke er godkjent av Haier, kan føre til at filterpatronen lekker og føre til skade på eiendom.

### Vannfilter

#### Modell: Haier HRXWF

- ▶ System sertifisert av IAPMO R&T mot NSF/ANSI-standardene 42, 53, 401 og P473 for reduksjon av krav spesifisert på ytelsesdataarket og hos iapmort. org.
- ▶ Faktisk ytelse kan variere med lokale vannforhold.

#### Retningslinjer for bruk/vannforsyningsparametre

Tjenesteflyt: 0,5 gpm (1,89 lpm)

Vannforsyning: Drikkevann

Vanntrykk: 25–120 psi (172–827 kPa)

Vanntemperatur: 0,6 °C–38 °C

Kapasitet: 170 galloner (643,5 liter)



Det er viktig at produsentens anbefalte installasjons-, vedlikeholds- og filterbyttekrav utføres for at produktet skal fungere som annonsert. Se installasjonshåndboken for garantiinformasjon.



### Obs

Mens testingen ble utført under standard laboratorieforhold, kan faktisk ytelse variere. Erstatningskassett: HRXWF For estimerte kostnader for utskifting av elementer, besøk vår nettside på [www.haerspares.eu](http://www.haerspares.eu).



### ADVARSEL!

- ▶ For å redusere risikoen forbundet med inntak av forurensninger:
- ▶ Ikke bruk med vann som er mikrobiologisk usikkert eller av ukjent kvalitet uten tilstrekkelig desinfeksjon før og etter systemet. Systemer sertifisert for cystereduksjon kan brukes på desinfisert vann som kan inneholde filtrerbare cyster.



### Obs

#### **For å redusere risikoen for vannlekkasje eller flom, og for å sikre optimal filterytelse:**

- ▶ Les og følg bruksanvisningen før installasjon og bruk av dette systemet.
- ▶ Installasjon og bruk MÅ overholde alle statlige og lokale rørleggerlover.
- ▶ Ikke installer hvis vanntrykket overstiger 120 psi (827 kPa). Hvis vanntrykket ditt overstiger 80 psi (552 kPa), må du installere en trykkbegrensningsventil. Kontakt en rørleggerspesialist hvis du er usikker på hvordan du skal kontrollere vanntrykket.
- ▶ Ikke installer der vannhammerforhold kan oppstå. Hvis vannhammerforhold eksisterer, må du installere en vannhammeravleder. Kontakt en rørleggerspesialist hvis du er usikker på hvordan du skal sjekke denne tilstanden.
- ▶ Ikke installer på varmtvannsledninger. Maksimal driftsvanntemperatur for dette filtersystemet er 38 °C.
- ▶ Beskytt filteret mot frysing. Tøm filteret når temperaturen faller under 0,6 °C.
- ▶ Bytt engangsfilterpatronen hver sjette måned eller tidligere hvis du observerer en merkbar reduksjon i vannstrømningshastigheten.
- ▶ Unnlattelse av å skifte ut engangsfilterpatronen med anbefalte intervaller kan føre til redusert filterytelse og sprekker i filterhuset, noe som kan føre til vannlekkasje eller oversvømmelse.
- ▶ Dette systemet er testet i henhold til NSF/ANSI 42, 53, 401 og P473 for reduksjon av stoffene oppført nedenfor. Konsentrasjonen av de angitte stoffene i vann som kom inn i systemet ble redusert til en konsentrasjon mindre enn eller lik den tillatte grensen for vann som forlater systemet, som spesifisert i NSF/ANSI 42, 53, 401 og P473.

Mange oppståtte problemer kan løses av deg selv uten spesifikk ekspertise. I tilfelle et problem, sjekk alle viste muligheter og følg instruksjonene nedenfor før du kontakter en ettersalgsservice. Se KUNDESERVICE.



### ADVARSEL!

- ▶ Før vedlikehold, deaktiver apparatet og trekk støpselet ut av stikkontakten.
- ▶ Elektrisk utstyr skal kun vedlikeholdes av kvalifiserte elektroeksperter, fordi feilaktige reparasjoner kan forårsake betydelige følgeskader.
- ▶ En skadet forsyning bør kun erstattes av produsenten, dennes serviceagent eller lignende kvalifiserte personer for å unngå fare.

Problem	Mulig årsak	Mulig løsning
Kompressoren fungerer ikke.	<ul style="list-style-type: none"> <li>• Støpselet er ikke koblet til stikkontakten.</li> <li>• Apparatet er i avrimingssyklusen</li> </ul>	<ul style="list-style-type: none"> <li>• Koble til støpselet.</li> <li>• Dette er normalt for en automatisk tining</li> </ul>
Apparatet går ofte eller går i for lang tid.	<ul style="list-style-type: none"> <li>• Inne- eller utendørs-temperaturen er for høy.</li> <li>• Apparatet har vært avslått i en periode.</li> <li>• En dør på apparatet er ikke tett lukket.</li> <li>• Døren har vært åpnet for ofte eller for lenge.</li> <li>• Temperaturinnstillingen for fryseseksjonen er for lav.</li> <li>• Dørpakningen er skitten, slitt, sprukket eller feilaktig.</li> <li>• Den nødvendige luftsirkulasjonen er ikke garantert.</li> </ul>	<ul style="list-style-type: none"> <li>• I dette tilfellet er det normalt at apparatet går lenger.</li> <li>• Normalt tar det 8 til 12 timer før apparatet har kjølt seg helt ned.</li> <li>• Lukk døren/skuffen og sørg for at apparatet er plassert på et jevnt underlag og at det ikke er mat eller beholdere som skurrer i døren.</li> <li>• Ikke åpne døren/skuffen for ofte.</li> <li>• Still inn temperaturen høyere til en tilfredsstillende kjøleskapstemperatur oppnås. Det tar 24 timer før kjøleskapstemperaturen blir stabil.</li> <li>• Rengjør dør-/skuffepakningen eller skift dem ut av kundeservice.</li> <li>• Sørg for tilstrekkelig ventilasjon.</li> </ul>



Problem	Mulig årsak	Mulig løsning
Innsiden av kjøleskapet er skittent og/eller lukter.	<ul style="list-style-type: none"><li>• Innsiden av kjøleskapet trenger rengjøring.</li><li>• Mat med sterk lukt oppbevares i kjøleskapet.</li></ul>	<ul style="list-style-type: none"><li>• Rengjør innsiden av kjøleskapet.</li><li>• Pakk inn maten grundig.</li></ul>
Apparatet lager unormale lyder.	<ul style="list-style-type: none"><li>• Apparatet er ikke plassert på jevnt underlag.</li><li>• Apparatet berører en gjenstand rundt seg.</li></ul>	<ul style="list-style-type: none"><li>• Juster føttene for å nivellere apparatet.</li><li>• Fjern gjenstander rundt apparatet.</li></ul>
Det er ikke kaldt nok inne i apparatet.	<ul style="list-style-type: none"><li>• Temperaturen er satt for høyt. For varme varer er lagret.</li><li>• For mye mat har blitt lagret på en gang.</li><li>• Varene er for nær hverandre.</li><li>• En dør/skuff til apparatet er ikke tett lukket.</li><li>• Døren/skuffen har vært åpnet for ofte eller for lenge.</li></ul>	<ul style="list-style-type: none"><li>• Tilbakestill temperaturen.</li><li>• Avkjøl alltid varer før du lagrer dem.</li><li>• Oppbevar alltid små mengder mat.</li><li>• La det være et mellomrom mellom flere matvarer slik at luften kan strømme.</li><li>• Lukk døren/skuffen.</li><li>• Ikke åpne døren/skuffen for ofte.</li></ul>
Det er for kaldt inne i apparatet.	<ul style="list-style-type: none"><li>• Temperaturen er satt for lavt. Super-Frz/ Super-Cool-funksjonen er aktivert eller kjører for lenge.</li></ul>	<ul style="list-style-type: none"><li>• Tilbakestill temperaturen.</li><li>• Slå av Super-Frz/ Super-Cool-funksjonen</li></ul>
Fuktighetsdannelse på innsiden av kjøleseksjonen.	<ul style="list-style-type: none"><li>• Klimaet er for varmt og for fuktig.</li><li>• En dør/skuff til apparatet er ikke tett lukket.</li><li>• Døren/skuffen har vært åpnet for ofte eller for lenge.</li><li>• Matbeholdere eller væsker står åpne.</li></ul>	<ul style="list-style-type: none"><li>• Øk temperaturen.</li><li>• Lukk døren/skuffen.</li><li>• Ikke åpne døren/skuffen for ofte.</li><li>• La varm mat avkjøles til romtemperatur og dekk til mat og væske.</li></ul>



Problem	Mulig årsak	Mulig løsning
Fuktighet samler seg på kjøleskapets utside eller mellom dører/dør og skuff.	<ul style="list-style-type: none"> <li>Klimaet er for varmt og for fuktig.</li> <li>Døren er ikke tett lukket. Den kalde luften i apparatet og den varme luften utenfor kondenserer.</li> </ul>	<ul style="list-style-type: none"> <li>Dette er normalt i fuktig klima og vil endre seg når luftfuktigheten synker.</li> <li>Sørg for at døren/skuffen er tett lukket.</li> </ul>
Sterk is og frost i frysedelen.	<ul style="list-style-type: none"> <li>Varene var ikke tilstrekkelig pakket.</li> <li>En dør/skuff til apparatet er ikke tett lukket.</li> <li>Døren/skuffen har vært åpnet for ofte eller for lenge.</li> <li>Dør-/skuffepakningen er skitten, slitt, sprukket eller feilaktig.</li> <li>Noe på innsiden hindrer at døren/skuffen lukkes ordentlig.</li> </ul>	<ul style="list-style-type: none"> <li>Pakk alltid varene godt.</li> <li>Lukk døren/skuffen.</li> <li>Ikke åpne døren/skuffen for ofte.</li> <li>Rengjør dør-/skuffepakningen eller bytt dem ut med nye.</li> <li>Flytt hyllene, dørhyllene eller innvendige beholdere for å la døren/skuffen lukkes.</li> </ul>
Sidene på skapet og dørlisten blir varme.	<ul style="list-style-type: none"> <li>-</li> </ul>	<ul style="list-style-type: none"> <li>Dette er normalt.</li> </ul>
Apparatet lager unormale lyder.	<ul style="list-style-type: none"> <li>Apparatet er ikke plassert på jevnt underlag.</li> <li>Apparatet berører en gjenstand rundt seg.</li> </ul>	<ul style="list-style-type: none"> <li>Juster føttene for å nivellere apparatet.</li> <li>Fjern gjenstander rundt apparatet.</li> </ul>
En svak lyd kan høres som ligner på rennende vann.	<ul style="list-style-type: none"> <li>-</li> </ul>	<ul style="list-style-type: none"> <li>Dette er normalt.</li> </ul>
Du vil høre en alarm pipe.	<ul style="list-style-type: none"> <li>Døren til kjøleskapet er åpen.</li> </ul>	<ul style="list-style-type: none"> <li>Lukk døren.</li> </ul>
Du vil høre en svak summing.	<ul style="list-style-type: none"> <li>Antikondenssystemet fungerer</li> </ul>	<ul style="list-style-type: none"> <li>Dette forhindrer kondens og er normalt</li> </ul>
Innvendig belysning eller kjølesystem fungerer ikke.	<ul style="list-style-type: none"> <li>Støpselet er ikke koblet til stikkontakten.</li> <li>Strømforsyningen er ikke intakt.</li> <li>LED-lampen er ute av drift.</li> </ul>	<ul style="list-style-type: none"> <li>Koble til støpselet.</li> <li>Kontroller strømforsyningen til rommet. Ring det lokale strømselskapet!</li> <li>Ring service for bytte av lampe.</li> </ul>



Problem	Mulig årsak	Mulig løsning
Vann lekker eller drypper fra vandispenserutløpet.	<ul style="list-style-type: none"><li>• Vanntanken er ikke riktig installert</li><li>• Vanddispensertuten er ikke skrudd fast til tanken.</li><li>• Den hvite O-ringen av silisium mangler fra vanntuten.</li></ul>	<ul style="list-style-type: none"><li>• Sett vanntanken inn i kjøleskapsdøren igjen, sørg for at den er skjøvet helt inn i døren.</li><li>• Vanntuten skrues godt fast i vanntanken.</li><li>• Sjekk at vannetuten har en hvit silisium O-ring i tankenden før du monterer vanntuten på vanntanken.</li></ul>

For å kontakte teknisk assistanse, besøk nettstedet vårt: <https://corporate.haier-europe.com/en/> Under avsnittet "nettsted" velger du merket til produktet og landet ditt. Du vil bli omdirigert til det spesifikke nettstedet der du finner telefonnummeret og skjemaet for å kontakte teknisk assistanse.

## Strømbrudd

I tilfelle strømbrudd skal maten holde seg kald i ca. 5 timer. Følg disse tipsene under et langvarig strømbrudd, spesielt om sommeren:

- ▶ Åpne døren/skuffen så få ganger som mulig.
- ▶ Ikke legg ekstra mat i apparatet under strømbrudd.
- ▶ Hvis det gis forhåndsvarsel om strømbrudd og avbruddsvarigheten er lengre enn 5 timer, lag litt is og legg den i en beholder øverst i kjøleseksjonen.
- ▶ En inspeksjon av varene kreves umiddelbart etter avbruddet.
- ▶ Ettersom temperaturen i kjøleskapet vil stige under et strømbrudd eller annen feil, vil lagringsperioden og spiselig kvalitet på maten reduseres. All mat som tines bør enten konsumeres eller kokes og fryses ned (der det er egnet) like etterpå for å forhindre helseisiko.



### OBS: Minnefunksjon under strømbrudd

Etter gjenoppretting av strømmen fortsetter apparatet med innstillingene som ble angitt før strømbruddet.



## Pakke ut



### ADVARSEL!

- ▶ Apparatet er tungt. Håndter alltid med minst to personer.
- ▶ Oppbevar alt emballasjemateriale utenfor barns rekkevidde og kast dem på en miljøvennlig måte.
- ▶ Ta apparatet ut av emballasjen.
- ▶ Fjern alt emballasjemateriale.

## Miljøforhold

Romtemperaturen bør alltid være mellom 10 °C og 43 °C, siden det kan påvirke temperaturen inne i apparatet og energiforbruket. Ikke installer apparatet i nærheten av andre varmeavgivende apparater (ovner, kjøleskap) uten isolasjon.

- Utvidet temperert (SN): dette kjøleapparatet er beregnet på å brukes ved omgivelsestemperaturer fra 10 °C til 32 °C;
- Temperert (N): dette kjøleapparatet er beregnet for bruk ved omgivelsestemperaturer fra 16°C til 32°C;
- Subtropisk (ST): dette kjøleapparatet er beregnet for bruk ved omgivelsestemperaturer fra 16°C til 38°C;

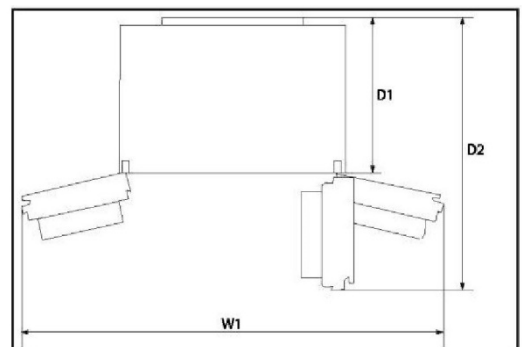
## Plassbehov

Nødvendig plass når døren åpnes:

B1 = 157,8 cm

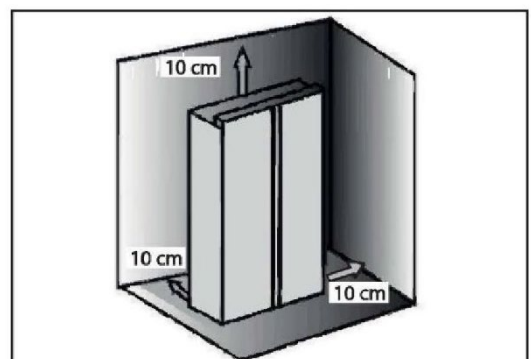
D1 = 62,9 cm

D2 = 117,5 cm



## Ventilasjonsverrsnitt

For å oppnå tilstrekkelig ventilasjon av apparatet av sikkerhetsgrunner, må informasjonen om de nødvendige ventilasjonsverrsnittene følges.

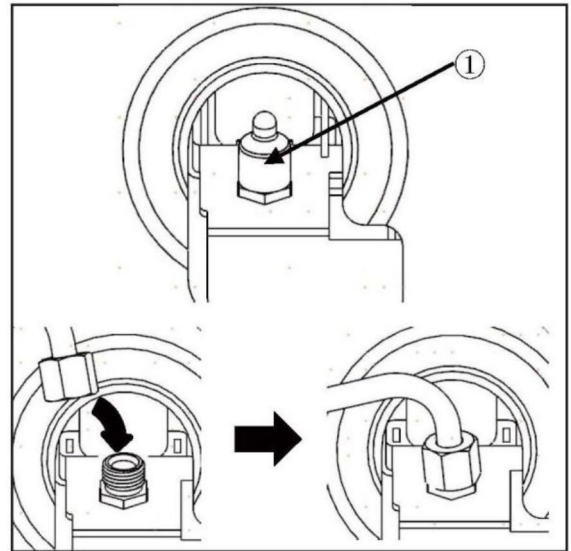


### OBS

For et frittstående apparat: dette kjøleapparatet er ikke ment å brukes som et innebygd apparat.

## Koble vann til apparatet

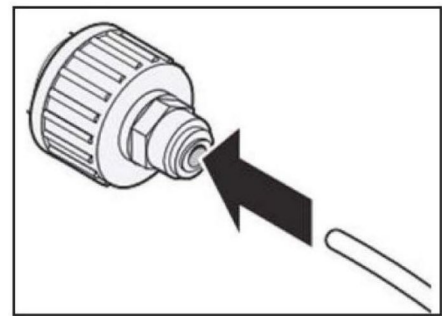
1. Fjern gummipluggen (1) fra vanninntaksventilen.
2. Skyv vannrøret fast på vanninntaksventilen og stram til mutteren. Dette vannrør må kuttes fra midten og brukes, og den andre delen brukes som reservedel.



## Tilkobling til vannkranen

Denne funksjonen er kun tilgjengelig på enkelte modeller.

1. Skyv vannslangen inn i hullet på krankoblingen som følger med tilbehøret. Røret skal holdes fast mens koblingen skyves på røret.
  2. Sørg for at gummiskiven er montert på innsiden av kranen før du skru den på kranen.
- En separat kobling eller adapter må kanskje kjøpes hvis kranen din ikke samsvarer med gjengestørrelsen på koblingen som følger med.



## Kontrollerer vanntilkoblingen

Denne funksjonen er kun tilgjengelig på enkelte modeller.

- Slå på vanntilførselen og slå på apparatet. Sjekk alle koblinger nøye for mulige lekkasjer på grunn av dårlig monterte slanger.
- Trykk og hold inne i 3Sec. Filter Reset-knapp i tre sekunder. Det nye vannfilteret er aktivert.
- Plasser en kopp under vandispenseren for å kontrollere at det renner vann gjennom apparatet.
- Kontroller koblingsrøret og skjøtene for lekkasjer igjen.



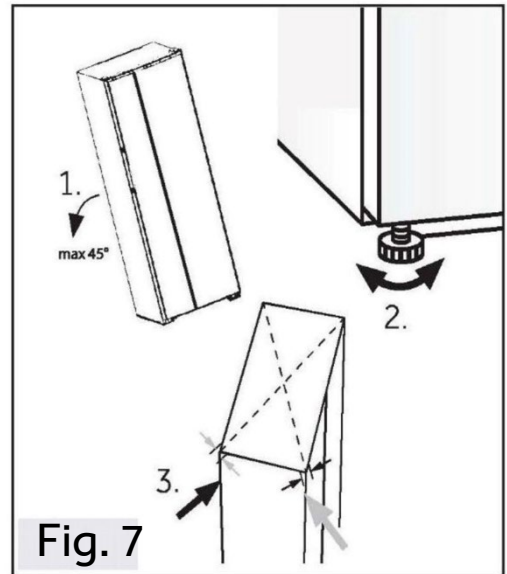
## ADVARSEL!

- ▶ Sørg for at koblingene alltid er faste, tørre og lekkasjefrie.
- ▶ Pass på at slangen aldri blir knust, bøyd eller vridd.

### Justering av apparatet

Apparatet skal plasseres på en flat og solid overflate.

1. Vipp apparatet litt bakover (fig. 7).
2. Still føttene til ønsket nivå. Pass på at avstanden til veggen på hengselsidene er minst 10 cm.
3. Stabiliteten kan kontrolleres ved vekselvis å støte på diagonalene. Den litt svaiende skal være den samme i begge retninger. Ellers kan rammen deformere mulige lekkende dørpakninger bli resultatet. En lav tendens bakover letter lukkingen av dørene.

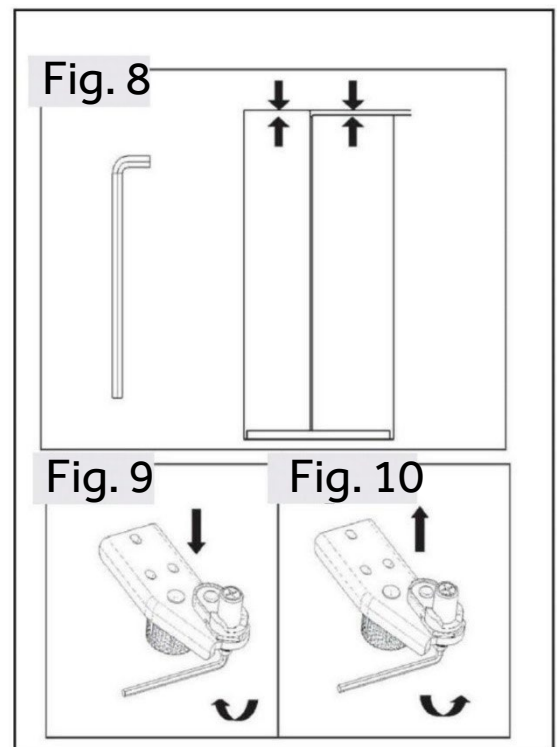


### Finjustering av dørene

Hvis dørene fortsatt ikke er i ett nivå etter at dørene er jevnet med føttene, kan dette misforholdet rettes ved å dreie hengseløfteakselen i nedre høyre hjørne av kjøledøren med en skiftenøkkel (fig. 8)

Drei løfteakselen med urviseren med skrunøkkel til lavere dørhøyde (fig. 9).

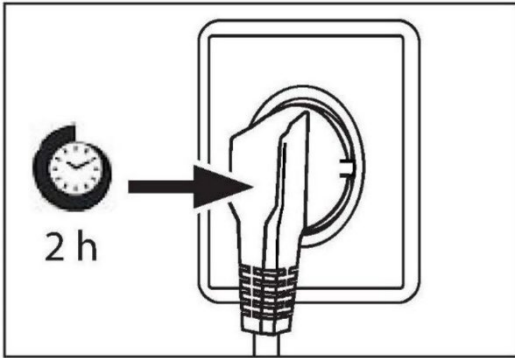
Antilåsevis drei løfteakselen med skiftenøkkel for å løfte dørens høyde (fig. 10).





## ADVARSEL!

Ikke juster hengseløfteakselen for mye til en høyde som kan føre til at akselen forlater sin opprinnelige låste posisjon. (Justerbart høydeområde: 3 mm)



### Ventetid

Til den vedlikeholdsfrie smøreoljen er det plassert i kapselen til kompressoren. Denne oljen kan komme gjennom det lukkede rørsystemet under skråtransport. Før du kobler apparatet til strømforsyningen, må du vente i minst 2 timer slik at oljen renner tilbake i kapselen.

### Elektrisk tilkobling

#### Kontroller før hver tilkobling om:

- ▶ strømforsyning, stikkontakt og sikring passer til typeskiltet.
- ▶ strømuttaket er jordet og ingen multiplugg eller forlenger.
- ▶ støpselet og stikkontakten er strengt i samsvar.

Koble støpselet til en riktig installert stikkontakt.



## ADVARSEL!

For å unngå risiko må en skadet strømledning skiftes ut av kundeservice (se garantikortet).

### Fjerning og montering av dører

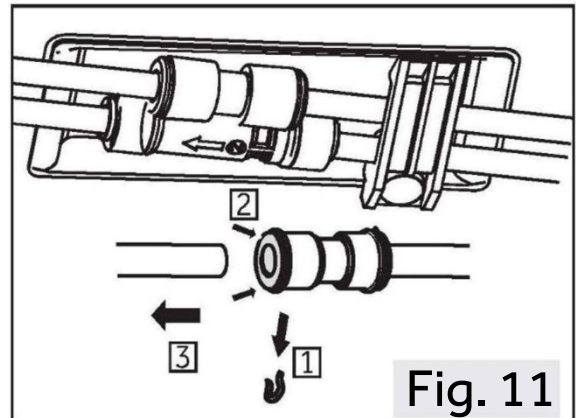
I tilfelle du trenger å fjerne apparatdørene, følg instruksjonene for fjerning og montering av døren nedenfor.



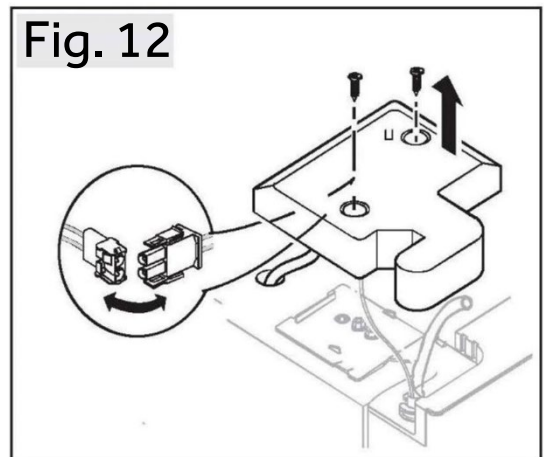
## ADVARSEL!

- ▶ Før enhver operasjon, deaktivert apparatet og trekk støpselet ut av stikkontakten.
- ▶ Blokker vanntilførselen.
- ▶ Apparatet er tungt. Håndter alltid med minst to personer.
- ▶ Ikke vipp apparatet mer enn 45 eller plasser det horisontalt på bakken.
- ▶ Døren kan velte og skade folk, eller bli skadet under disse trinnene. Vær mer oppmerksom når du fjerner og monterer dører.

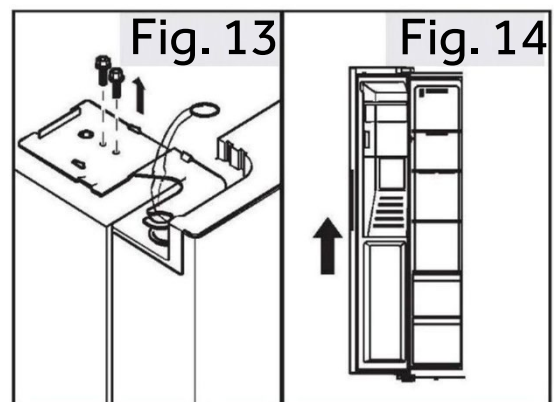
1. Slipp venstre side av to vannkoblinger i fremre venstre hjørne nederst på apparatet: trykk og hold inn kragen som vist og fjern vannrøret. (fig.11).



2. Løsne skruen på hengseldekselet og fjern dekselet (fig.12). Når du fjerner fryserdøren, koble fra alle ledninger bortsett fra jordingsledningen.



3. Løsne skruene som holder det øvre hengslet på plass og fjern deretter hengslet (fig. 13).
4. Løft døren for å fjerne den (fig. 14). Når du fjerner frysedøren, løft den høyt nok til å trekke ut vanntilkoblingen fra bunnen av apparatet.
5. Sett døren på plass igjen ved å snu trinnene for fjerning. Sørg for at jordingskabelen festes med skruen.
6. Sett på igjen vanntilkoblingen.




## OBS: Kjøleskapsdør

Bildene viser fjerning av fryseromsdøren. For kjøleskapsdøren, bruk de tilsvarende delene på den andre siden.



Produktblad i henhold til forordning EU nr. 2019/2016

Merke	Haier
Modellnavn/-identifikator	HSW59F18DIMM HSW79F18DIPT
Kategori av modellen	Kjøleskap-fryser
Energieffektivitetsklasse	D
Årlig energiforbruk (kWh/år) <sup>(1)</sup>	267
Totalt volum (L)	601
Volum kjøleskap (L)	391
Volum fryser (L)	206
Volum islagringsbeholder (2-stjerners (L)	4
Stjernerangering	
Temperatur i andre rom > 14 °C	Ikke anvendelig
Frostfritt system	Ja
Frysekapasitet (kg/24t)	10
Klimavurdering <sup>(2)</sup>	SN-N-ST
Støyemisjonsklasse og luftbåren akustisk støyutslipp (db(A) re 1pW)	C(36)
Temperaturøkningstid (t)	5
Isproduksjonskapasitet	0,8 kg / 24 timer
Type apparat	frittstående



Forklaringer:

- Ja, omtalt
- (1) Basert på resultatene av standardsamsvarstesten over 24 timer. Det faktiske forbruket avhenger av bruken og plasseringen av apparatet.
  - (2) Klimavurdering SN: Dette apparatet er beregnet for bruk i en omgivelsestemperatur på mellom +10 °C og +32 °C  
 Klimavurdering N: Dette apparatet er beregnet for bruk i en omgivelsestemperatur på mellom +16 °C og +32 °C  
 Klimavurdering ST: Dette apparatet er beregnet for bruk i en omgivelsestemperatur på mellom +16 °C og +38 °C

### Ytterligere tekniske data

Spenning/frekvens	220-240 V ~ / 50 Hz
Inngangsstrøm (A)	1.8
Inngangseffekt for tining (W)	220
Hovedsikring (A)	15
Kjølevæske	R600a
Dimensjoner (H/B/D i mm)	1775/905/726



Vi anbefaler vår Haier-kundeservice og bruk av originale reservedeler.  
Hvis du har et problem med apparatet, sjekk først avsnittet FEILSØKING.

Hvis du ikke finner en løsning der, ta kontakt

- ▶ din lokale forhandler eller
- ▶ vårt European Call Service-Center (se oppførte telefonnumre nedenfor) eller
- ▶ Service og Support-området på [www.haier.com](http://www.haier.com) hvor du kan aktivere tjenesten
- ▶ hevder og finn også vanlige spørsmål.

For å kontakte vår tjeneste, sørg for at du har følgende data tilgjengelig.  
Informasjonen finner du på typeskiltet.

Modell \_\_\_\_\_

Serienr. \_\_\_\_\_

Sjekk også garantikortet som følger med produktet i tilfelle garanti.

Europeisk Call Service-Center		
Land*	Telefonnummer	Kostnader
Haier Italy (IT)	199 100912	
Haier Spain (ES)	902 509 123	
Haier Germany (DE)	0180539 39 99	<ul style="list-style-type: none"><li>• 14 Ct/Min fasttelefon</li><li>• maks 42 Ct/Min Mobil</li></ul>
Haier Austria (AT)	0820 001 205	<ul style="list-style-type: none"><li>• 14,53 Ct/Min fasttelefon</li><li>• max 20 Ct/Min alle andre</li></ul>
Haier United Kingdom (UK)	0333 003 8122	
Haier France (FR)	0980 406 409	





\*For andre land, se [www.haier.com](http://www.haier.com)  
Haier Europe Trading Srl  
Filial Storbritannia  
Westgate House, Westgate, Ealing  
London, W5 1YY

\*Varighet av garantien for kjøleapparatet:  
Minimumsgarantien er: 2 år for EU-land, 3 år for Tyrkia, 1 år for Storbritannia, 1 år for Russland, 3 år for Sverige, 2 år for Serbia, 5 år for Norge, 1 år for Marokko, 6 måneder for Algeria, Tunisia ingen juridisk garanti.

\*Perioden for reservedeler for reparasjon av apparatet:  
Termostater, temperatursensorer, kretskort og lyskilder er tilgjengelige i minst sju år etter at den siste enheten av modellen er markedsført.  
Dørhåndtak, dørhengsler, skuffer og kurver i minst sju år og dørpakninger i minimum ti år, etter å ha brakt den siste enheten av modellen på markedet.

\*For mer informasjon om produktet, se <https://eprel.ec.europa.eu/> eller skann QR-en på energietiketten som følger med apparatet.





## Innehåll

---

Säkerhetsinformation .....	622
Avsedd användning .....	627
Produktbeskrivning .....	628
Kontrollpanel .....	629
Användning .....	630
Utrustning .....	643
Skötsel och rengöring .....	645
Felsökning .....	650
Installation .....	654
Tekniska data .....	659
Kundtjänst .....	661



Tack!

## Tack för att du har köpt en Haier-produkt.

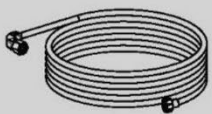
Läs igenom dessa anvisningar noggrant innan du använder apparaten. Instruktionerna innehåller viktig information som hjälper dig att få ut det bästa av apparaten och garanterar en säker och korrekt installation, användning och underhåll.

Förvara den här bruksanvisningen på en lämplig plats så att du alltid kan läsa den för att använda apparaten på ett säkert och korrekt sätt.

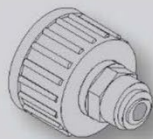
Om du säljer apparaten, ger bort den eller lämnar den kvar när du flyttar, se till att du också lämnar över den här bruksanvisningen så att den nya ägaren kan bekanta sig med apparaten och säkerhetsföreskrifterna.

## Tillbehör

Kontrollera tillbehören och litteraturen i enlighet med denna lista:



\*Vattenledning



\*Vattenanslutning



Energimärkning



Garantikort



Snabbguide



## VARNING - Viktig säkerhetsinformation



## OBSERVERA - Allmän information och tips



## Miljöinformation



### Bortskaffande

Bidra till att skydda miljön och människors hälsa. Lagg förpackningen i lämpliga behållare för att återvinna den. Hjälpt till att återvinna avfall från elektriska och elektroniska apparater. Släng inte apparater märkta med denna symbol med hushållsavfallet. Lämna in produkten till den lokala återvinningsanläggningen eller kontakta ditt kommunala kontor.



## VARNING!

Risk för skada eller kvävning!

Köldmedier och gaser måste bortskaffas professionellt. Se till att kylmediekretsens slangar inte är skadade innan de kasseras. Koppla bort apparaten från elnätet. Klipp av nätkabeln och kassera den. Ta bort brickor och lådor samt dörrspärrar och tätningar för att förhindra att barn och husdjur stängs in i apparaten.



## Innan du slår på apparaten för första gången, läs följande säkerhetsråd!:



### VARNING!

#### Innan apparaten används första gången

- ▶ Se till att det inte finns några transportskador.
- ▶ Ta bort all förpackning och förvara utom räckhåll för barn.
- ▶ Vänta minst två timmar innan du installerar apparaten för att säkerställa att köldmediekretsen är fullt effektiv.
- ▶ Apparaten är tung och ska hanteras av minst två personer.

#### Installation

- ▶ Apparaten ska placeras på en väl ventilerad plats. Se till att det finns ett utrymme på minst 10 cm över och runt apparaten.
- ▶ Placera aldrig apparaten i ett fuktigt utrymme eller på en plats där vatten kan stänka på apparaten. Rengör och torka vattenstänk och fläckar med en mjuk, ren trasa.
- ▶ Installera inte apparaten i direkt solljus eller i närheten av värmekällor (t.ex. spisar, värmare).
- ▶ Installera och nivellera apparaten på en lämplig plats med hänsyn till användning och storlek.
- ▶ Håll ventilationsöppningarna i apparaten eller i den inbyggda konstruktionen fria från hinder.
- ▶ Kontrollera att den elektriska informationen på typskylten överensstämmer med strömförsörjningen. Om den inte gör det, kontakta en elektriker.
- ▶ Apparaten drivs av en strömförsörjning på 220-240 VAC/50 Hz. Onormala spänningsvariationer kan göra att apparaten inte startar, skada temperaturkontrollen eller kompressorn eller låta konstigt under drift. Om det är så, ska en automatisk regulator installeras.
- ▶ Använd inte adaptrar och förlängningskablar med flera kontakter.
- ▶ Lägg inte flera bärbara uttag eller bärbara strömförsörjningsaggregat bakom produkten.
- ▶ Se till att strömkabeln inte fastnar i kylskåpet. Trampa inte på strömkabeln.



## VARNING!

- ▶ Använd ett separat jordat uttag för strömförsörjningen som är lätt att komma åt. Apparaten måste jordas.  
Endast för UK: Apparatsens strömkabel är försedd med en 3-polig jordad kontakt som passar ett standarduttag med 3 poler (jordad). Klipp aldrig av eller demontera den tredje polen (jordad). Kontakten ska vara tillgänglig när apparaten är installerad.
- ▶ Skada inte köldmediekretsen.

## Daglig användning

- ▶ Den här apparaten kan användas av barn från åtta års ålder och av personer med nedsatt fysisk, sensorisk eller mental förmåga om de har fått handledning eller instruktioner för säker användning och förstår de faror som är inblandade.
- ▶ Barn i åldern 3–8 år får använda kylskåpet för att ta ut och sätta i mat. De får inte rengöra eller installera kylskåpet.
- ▶ Håll barn under tre år borta från apparaten om de inte är under ständig uppsikt.
- ▶ Barn ska inte leka med apparaten.
- ▶ Om kolgas av annan brandfarlig gas läcker ut i närheten av apparaten, stäng av ventilen för den läckande gasen, öppna dörrar och fönster och dra inte ur strömkabeln till kylskåpet eller någon annan apparat.
- ▶ Observera att apparaten är inställd för drift vid ett specifikt temperaturintervall mellan 10 och 38 °C. Det kan hända att apparaten inte fungerar som den ska om den lämnas under en längre tid vid en temperatur över eller under det angivna intervallet.
- ▶ För att förhindra personskada orsakad av fall eller elchock orsakad av kontakt med vatten, ska instabila föremål (tunga objekt, behållare med vatten) inte placeras ovanpå apparaten.
- ▶ Dra inte i dörrhyllorna. Dörren kan dras snett, flaskstället kan dras bort eller så kan apparaten välta.
- ▶ Öppna och stäng dörrarna endast med handtagen. Mellanrummet mellan dörrarna och skåpet är mycket smalt. Lägg inte händerna i dessa områden för att undvika att fingrarna kläms. Öppna eller stäng kylskåpets dörrar endast när inga barn befinner sig inom dörrrens rörelseområde.



### **VARNING!**

- ▶ Förvara eller använd inte brännbara, explosiva eller frätande material i apparaten eller i dess närhet.
- ▶ Förvara inte mediciner, medel med bakterier eller kemikalier i apparaten. Den här apparaten är en hushållsapparat. Det rekommenderas inte att förvara material som kräver strikta temperaturer.
- ▶ Förvara aldrig vätskor i flaskor eller burkar (förutom högprocentiga spritdrycker), särskilt kolsyrade drycker i frysen, eftersom de spricker under frysning.
- ▶ Kontrollera livsmedlens skick om det har skett en uppvärmning i frysen.
- ▶ Ställ inte in onödigt låg temperatur i kyldelen. Minustemperaturer kan förekomma vid höga inställningar. Varning: Flaskor kan spricka
- ▶ Rör inte frysta varor med våta händer (bär handskar). Ät framför allt inte isglass omedelbart efter att den har tagits ut ur frysdelen. Det finns risk att blåsor bildas på grund av köldskador. FÖRSTA hjälpen: håll den skadade kroppsdelen under rinnande kallt vatten. Dra inte undan!
- ▶ Rör inte insidan av frysens förvaringsutrymme när den är i drift, särskilt inte med våta händer, eftersom dina händer kan frysa fast på ytan.
- ▶ Koppla ur apparaten i händelse av strömavbrott eller före rengöring. Vänta i minst 7 minuter innan du startar apparaten igen. Frekventa startar kan skada kompressorn.
- ▶ Använd inte elektriska apparater inuti förvaringsutrymmet för matvaror, om de inte är av en typ som rekommenderas av tillverkaren. Underhåll/rengöring
- ▶ Barn som utför rengöring och underhåll ska hållas under uppsikt.
- ▶ Koppla bort apparaten från elnätet innan du utför rutinunderhåll. Vänta i minst 5 minuter innan du startar apparaten igen. Frekventa startar kan skada kompressorn.



**VARNING!**

- ▶ Håll i kontakten, inte kabeln, när du kopplar ur apparaten.
- ▶ Rengör inte apparaten med hårda borstar, stålborstar, rengöringsmedelspulver, bensin, amylacetat, aceton och liknande organiska lösningar, sura eller alkaliska lösningar. Rengör med ett speciellt rengöringsmedel för kylskåp för att undvika skador.
- ▶ Skrapa inte bort frost och is med vassa föremål. Använd inte sprayer, elektriska värmare som värmeelement, hårtork, ångtvättar eller andra värmekällor för att undvika skador på plastdelarna.
- ▶ Använd inte mekaniska hjälpmedel för att skynda på avfrostningen, annat än de som rekommenderas av tillverkaren.
- ▶ Om elsladden skadas måste den bytas av tillverkaren, dennes serviceombud eller liknande kvalificerad person för att undvika faror.
- ▶ Försök inte att reparera, demontera eller ändra apparaten på egen hand. Vid reparation, kontakta vår kundtjänst.
- ▶ Ta bort dammet på baksidan av enheten minst en gång om året för att undvika brandrisk och ökad energiförbrukning.
- ▶ Spruta eller spola inte i eller på apparaten under rengöringen.
- ▶ Använd inte vattenspray eller ånga för att rengöra apparaten.
- ▶ Rengör inte de kalla glashyllorna med hett vatten. Plötsliga temperaturförändringar kan göra att glaset spricker.

**Information om köldmediegas****VARNING!**

Apparaten innehåller det brandfarliga köldmediet ISOBUTANE (R600a). Se till att köldmediekretsen inte skadas under transport eller installation. Läckande köldmedium kan orsaka ögonskador eller antändas. Om en skada har uppstått: håll borta från öppna eldkällor, ventiler rummet ordentligt, koppla inte in eller dra ut nätsladdarna till apparaten eller någon annan apparat. Informera kundtjänsten.

Om ögonen kommer i kontakt med köldmediet, skölj dem omedelbart under rinnande vatten och kontakta omedelbart en ögonspecialist.



### Avsedd användning

Den här apparaten är avsedd för att kyla och frysa mat. Den har designats uteslutande för användning i hushåll och liknande tillämpningar som personalkök i butiker, kontor och andra arbetsmiljöer; bondgårdar och av kunder på hotell, motell och andra bostadsmiljöer samt inom bed-and-breakfast och cateringverksamhet. Den är inte avsedd för kommersiell eller industriell användning.

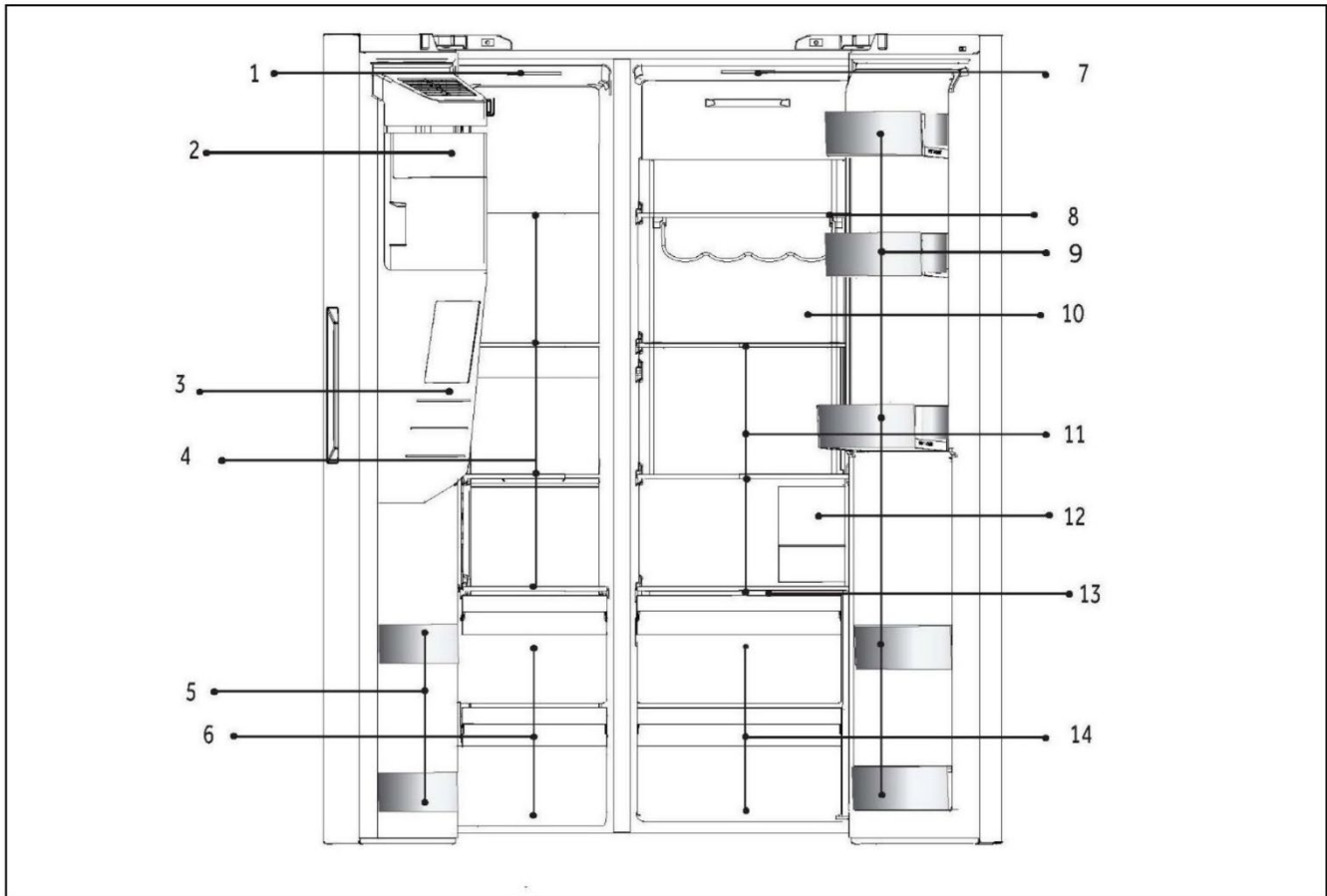
Det är inte tillåtet att ändra eller modifiera anordningen. Oavsiktlig användning kan orsaka faror och förlust av garantin.

### Standarder och direktiv och

Denna produkt uppfyller kraven i alla tillämpliga EG-direktiv med motsvarande harmoniserade standarder och brittiska standarder, som tillhandahåller CE- och UKCA-märkning.

## **i** Uppmärksamma

På grund av tekniska förändringar och olika modeller kan vissa illustrationer i den här bruksanvisningen skilja sig från din modell.



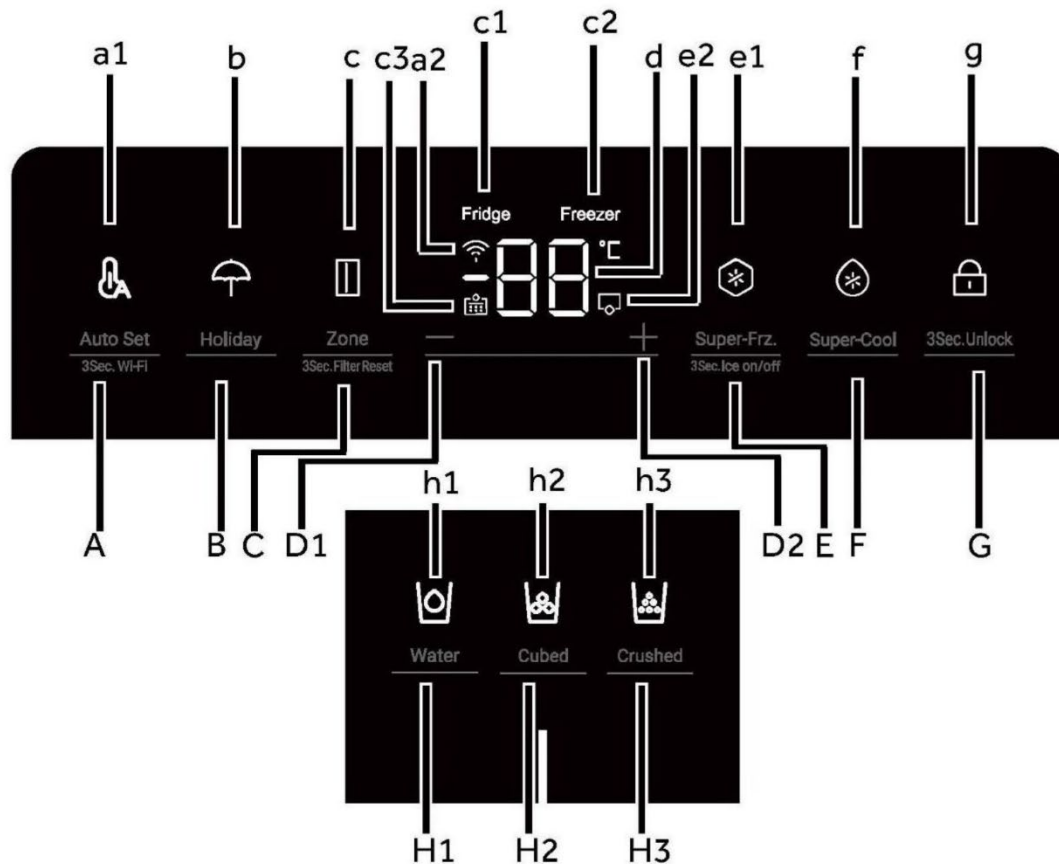
### A: Frysdel

- 1 Taklampa
- 2 Ismaskin med isbehållare
- 3 Vatten- och isdispenser
- 4 Glashyllor
- 5 Flaskhållare/ställ
- 6 Lådor

### B: Kylldel

- 7 Taklampa
- 8 Vinställ
- 9 Flaskhållare/ställ
- 10 Bakre lampa (HSW79F18DIPT)
- 11 Glashyllor
- 12 Vattenfilter
- 13 Skyddsplåt våtzon
- 14 Lådor

## Kontrollpanel



### Knappar:

- A Auto Set-funktion/3Sec.Wi-Fi
- B Holiday-funktion
- C Väljare zon/3Sec.Filter Reset
- D1 Temperaturjusteringsknapp "-"
- D2 Temperaturjusteringsknapp "+"
- E Super-Freeze-funktion/3Sec.Ice on/ off
- F Super-Cool-funktion
- G Väljare panellås
- H1 Väljare Vattenutmatning-funktion
- H2 Väljare Isbitar-funktion
- H3 Väljare Krossad is-funktion

### Indikatorer:

- a1 Auto Set-läge
- a2 Wi-Fi-funktion
- b Holiday-läge
- c Zone-indikator
- c1 Kylskåpsindikator
- c2 Frysindikator
- c3 Filteråterställning-funktion
- d Temperaturdisplay
- e1 Super-Freeze-läge
- e2 Ismaskinsläge
- f Super-Cool-läge
- g Panellås
- h1 Vattenutmatning-funktion
- h2 Isbitar-funktion
- h3 Krossad is-funktion



### Innan apparaten används första gången

- ▶ Ta bort allt förpackningsmaterial, förvara det utom räckhåll för barn och kassera det på ett miljövänligt sätt.
- ▶ Rengör apparatens in- och utsida med vatten och ett mildt rengöringsmedel innan du lägger in mat i den.
- ▶ Vänta minst 2-5 timmar innan du ansluter apparaten till strömförsörjningen efter att den har installerats och rengjorts. Se avsnitt INSTALLATION.
- ▶ Föryl facken ordentligt genom att ställa in de högre kylinställningarna innan du fyller dem med mat. Funktionen Power-Freeze hjälper till att kyla ned facken snabbt.
- ▶ Kylskåpets och frysens temperatur ställs och ställs automatiskt in på 5 °C respektive -18 °C. Det är de rekommenderade inställningarna. Om man önskar går det att manuellt ändra de inställda temperaturerna. Se avsnittet JUSTERA TEMPERATUREN.

### Sensorknappar

Knapparna på kontrollpanelen är sensorknappar som reagerar redan vid lätt beröring med fingret.

### Slå på/av apparaten

Apparaten är i drift så snart den ansluts till strömförsörjningen.

De visade temperaturerna visar de temperaturinställningarna i utrymmet.

Kanske är panellåset aktiverat.



### Uppmärksamma

När apparaten sätts på efter att ha kopplats bort från elnätet kan det ta upp till 12 timmar innan den uppnår rätt temperatur.

Töm apparaten innan du stänger av den. För att stänga av apparaten drar du ut sladden ur eluttaget.

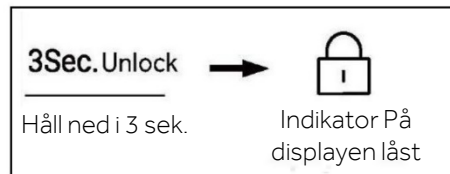


### OBS!

När kylskåpet sätts på första gången lyser indikatorn. Kylskåpets och frysens temperatur ställs och ställs automatiskt in på 5 °C respektive -18 °C.

## Lås/lås upp panel

1. Automatiskt lås: När dörren för kylskåpet och frysskåpet är stängda och ingen knapp rörs inom 30 sekunder, släcks och låses displayen automatiskt.



2. Manuellt lås: När displayen är olåst trycker du på knappen "G" (panellås) och håller den intryckt i 3 sekunder, summern ringer en gång, indikatorn "g" (panellås) lyser och displayen är låst.



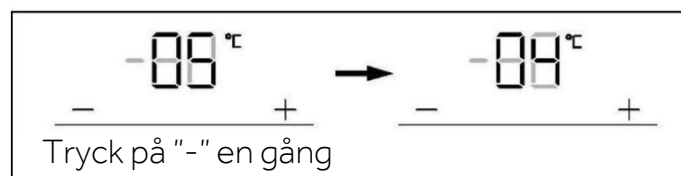
## Justera temperaturen

Inomhustemperaturer påverkas av följande faktorer:

- ▶ Omgivningstemperatur
- ▶ Frekvens av dörröppning
- ▶ Mängden förvarade livsmedel
- ▶ Installation av apparaten

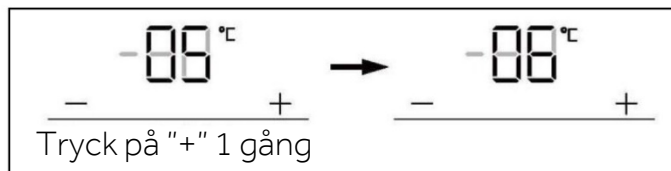
## Justera temperaturen för kylan

1. När displayen är upplåst trycker du på knappen "C" (zonväljare). Summern ringer en gång, indikatorn "c1" (kylskåpsindikator) blinkar och sedan kommer kylens temperaturinställningsläge.
2. Tryck på knappen "D1" (knappen för temperaturjustering "-") varje gång, summern ringer en gång, kylens inställda temperatur sänks med 1. Kylskåpets temperatur visas i sekvensen "9 °C > 8 °C > 7 °C > 6 °C > 5 °C > 4 °C > 3 °C > 2 °C > 1 °C".



### Justera temperaturen för kylan

3. Tryck på knappen "D2" (knappen för temperaturjustering "+") varje gång, summern ringer en gång, kylskåpet inställda temperatur ökar med 1. Kylskåpets temperatur visas i sekvensen "1 °C > 2 °C > 3 °C > 4 °C > 5 °C > 6 °C > 7 °C > 8 °C > 9 °C"

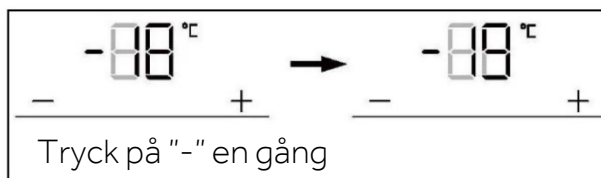


### Uppmärksamma

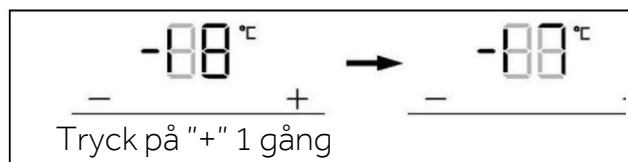
Om ingen åtgärd vidtas inom 5 sekunder efter det att temperaturen har ställts in kommer systemet automatiskt att fastställa och spara den inställda temperaturen.

### Justera temperaturen för frysen

1. När displayen är upplåst trycker du på knappen "C" (zonväljare). Summern ringer en gång, indikatorn "c2" (frysindikator) blinkar och sedan kommer frysens temperaturinställningsläge.
2. Tryck på knappen "D1" (knappen för temperaturjustering "-") varje gång, summern ringer en gång, frysens inställda temperatur sänks med 1. Frysskåpets temperatur visas i sekvensen "-14 °C > -15 °C > -16 °C > -17 °C > -18 °C > -19 °C > -20 °C > -21 °C > -22 °C > -23 °C > -24 °C".



3. Tryck på knappen "D2" (knappen för temperaturjustering "+") varje gång, summern ringer en gång, frysens inställda temperatur kommer att ökas med 1. Frysskåpets temperatur visas i sekvensen "-24 °C > -23 °C > -22 °C > -21 °C > -20 °C > -19 °C > -18 °C > -17 °C > -16 °C > -15 °C > -14 °C".

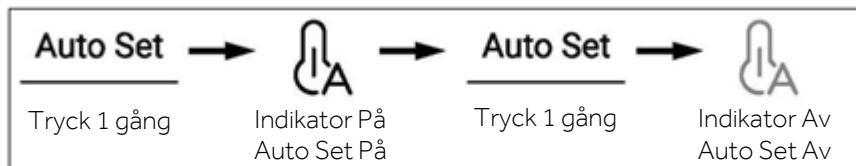


### Uppmärksamma

Om ingen åtgärd vidtas inom 5 sekunder efter det att temperaturen har ställts in kommer systemet automatiskt att fastställa och spara den inställda temperaturen.

## Auto Set-läge

1. När displayen är upplåst trycker du på knappen "A" (väljare för Auto Set-läget), summern ringer en gång, indikatorn "a1" (Auto Set-läge) lyser och Auto Set-funktionen slås på.
2. När indikatorn "a1" (Auto Set-läge) lyser trycker du på knappen "A" (väljare för Auto Set-läget), summern ringer en gång, indikatorn "a1" (Auto Set-läge) slocknar och Auto Set-funktionen stängs av



## Uppmärksamma

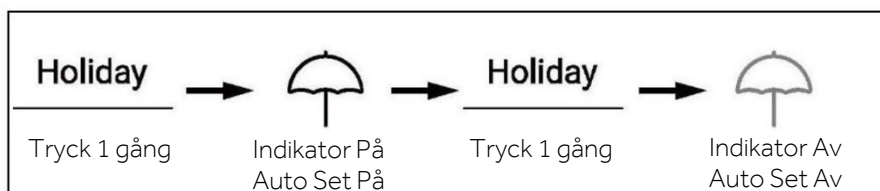
I Auto Set-läget kan kylens eller frysens temperatur inte justeras. Om du trycker på knappen "D1" (knappen för temperaturjustering "-") eller knappen "D2" (knappen för temperaturjustering "+") för att justera temperaturen i kyl- eller frysskåpet, blinkar indikatorn "a1" (Auto Set-indikatorn) och en signal ljuder för att indikera att åtgärden inte kan utföras.

Om funktionen "Super-Cool", "Super-Freeze" eller "Holiday" är inställd i Auto Set-läget, på grund av olika kontrollmetoder, släcks indikatorn "a1" (Auto Set-läge) och Auto Set-funktionen avslutas automatiskt.

## Holiday-läge

Holiday-läget är utformat för att inte använda kylskåpet under en längre tid. När Holiday-läget är aktiverat är frysen under normal kontroll och kylens temperatur är automatiskt inställd på 17 °C. Den faktiska temperaturen är inte högre än 17 °C, vilket förhindrar konstig lukt som orsakas av för hög temperatur och bidrar samtidigt till att minska energiförbrukningen.

1. När displayen är upplåst trycker du på knappen "B" (väljare Holiday-läge), summern ringer en gång, indikatorn "b" (Holiday-läge) lyser och Holiday-funktionen slås på.
2. När indikatorn "b" (Holiday-läge) lyser trycker du knappen "B" (väljare för Holiday-läget), summern ringer en gång, indikatorn "b" (Holiday-läge) slocknar och Holiday-funktionen stängs av.





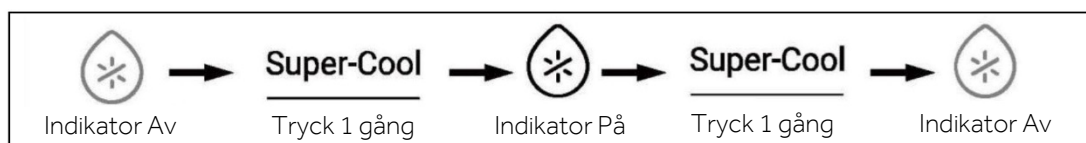
## Uppmärksamma

I Holiday-läget kan kylens temperatur inte justeras. Om du trycker på knappen "D1" (knappen för temperaturjustering "-") eller knappen "D2" (knappen för temperaturjustering "+") för att justera temperaturen i kylskåpet, blinkar indikatorn "b" (Holiday-indikator) och en signal ljuder för att indikera att åtgärden inte kan utföras.

Innan du använder Holiday-funktionen, töm kylan för att förhindra att maten blir dålig i den. När Holiday-funktionen är påslagen kan "Auto Set"-funktionen eller "Super-Cool"-funktionen inte aktiveras samtidigt.

### Super-Cool-funktion

1. När displayen är upplåst trycker du på knappen "F" (Super-Cool-väljare), summern ringer en gång, indikatorn "f" (Super-Cool-funktion) lyser och Super-Cool-funktionen slås på.
2. När indikatorn "f" (Super-Cool-funktion) lyser trycker du på knappen "F" (Super-Cool-väljare), summern ringer en gång, indikatorn "f" (Super-Cool-funktion) slocknar och Super-Cool-funktionen stängs av.
3. När Super-Cool-funktionen har aktiverats stänger kylskåpet automatiskt av funktionen när den når det inställda tillståndet. Om du vill avsluta manuellt kan du trycka på knappen "F" (Super-Cool-väljare) för att stänga av den.



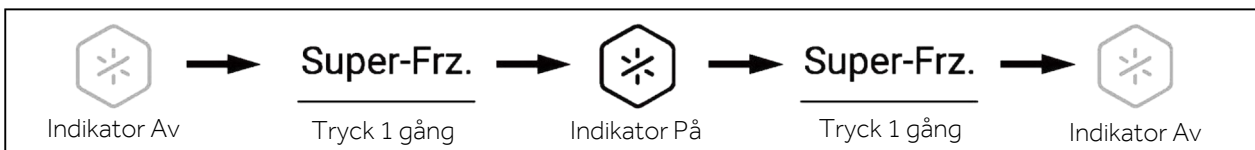
## Uppmärksamma

I Super-cool-läget kan kylens temperatur inte justeras. Om du trycker på knappen "D1" (knappen för temperaturjustering "-") eller knappen "D2" (knappen för temperaturjustering "+") för att justera temperaturen i kylskåpet, blinkar indikatorn "f" (Super-Cool-indikator) och en signal ljuder för att indikera att åtgärden inte kan utföras.

När funktionen Super-cool eller Holiday är aktiverad kan Auto-set-funktionen inte slås på samtidigt på grund av de olika kontrollägena. När du väljer en funktion som står i konflikt med en annan funktion avslutas den ursprungliga funktionen automatiskt.

## Super-Freeze-funktion (Super-Frz)

1. När displayen är uppläst trycker du på knappen "E" (väljare för Super-Frz.), summern ringer en gång, indikatorn "e1" (Super-Freeze-funktion) lyser och Super-Freeze-funktionen slås på.
2. När indikatorn "e1" (Super-Freeze-funktion) lyser trycker du på knappen "E" (väljare för Super-Frz.), summern ringer en gång, indikatorn "e1" (Super-Freeze-funktion) slocknar och Super-Freeze-funktionen stängs av
3. När Super-Freeze-funktionen har aktiverats stänger kylskåpet automatiskt av funktionen när den når det inställda tillståndet. Om du vill avsluta manuellt kan du trycka på knappen "E" (väljare för Super-Frz.) för att stänga av den.



## Uppmärksamma

Under Super Freeze-läget kan frysens temperatur inte justeras. Om du trycker på knappen "D1" (knappen för temperaturjustering "-") eller knappen "D2" (knappen för temperaturjustering "+") för att justera temperaturen i frysskåpet, blinkar indikatorn "e1" (Super-Frz.-indikator) och en signal ljuder för att indikera att åtgärden inte kan utföras.

När Super-Freeze-funktionen är aktiverad kan Auto-set-funktionen inte slås på samtidigt på grund av de olika kontrollägena. När du väljer en funktion som står i konflikt med en annan funktion avslutas den ursprungliga funktionen automatiskt.

## Filterfunktion

När kylskåpet har varit i drift i sex månader tänds påminnelseindikatorn "c3" (Filteråterställning-funktion) för att påminna användaren om att byta ut filtret mot ett nytt. När filtret byts ut, håll in knappen "C" (väljare Filteråterställning-funktion) intryckt i 3 sekunder för att avbryta påminnelsen, tidtagningen kommer att återställs med en summer som ringer.

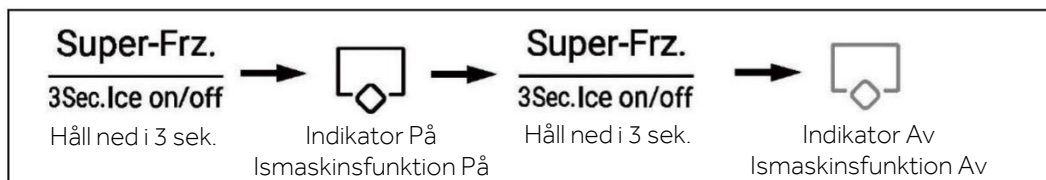


## Uppmärksamma

Filtrets normala livslängd är sex månader. Det rekommenderas att filtret byts ut var sjätte månad.

## Ismaskinsläge

1. I låst läge trycker du på knappen "E" (väljare för Ismaskinsläget) och håller ned i 3 sekunder, summern ringer en gång, indikatorn "e2" (Ismaskinsläge) lyser och Ismaskinsläget slås på.
2. När indikatorn "e2" (Ismaskinsläge) lyser trycker du på knappen "E" (väljare Ismaskinsläge) och håller ned i 3 sekunder, summern ringer en gång, indikatorn "e2" (Ismaskinsläge) slocknar och Ismaskinsläget stängs av.



## Uppmärksamma

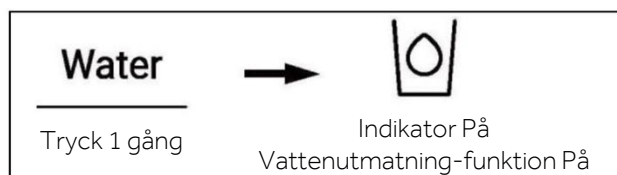
När programmet slås på är ismaskinen som standard avstängd.

När du inte behöver isbitar under en längre tid kan du stänga av Ismaskinsfunktionen, tömma behållaren och sätta in den rengjorda behållaren.

Ismaskinen kan endast konfigureras av tillverkaren eller köpas från hans serviceagent.

## Funktion Vattenutmatning

I vilket läge som helst (låst eller olåst) trycker du på knappen "H1" (väljare för Vattenutmatning-funktion), summern ringer en gång, indikatorn "h1" (Vattenutmatning-funktion) tänds och sedan slås Vattenutmatning-funktionen på.

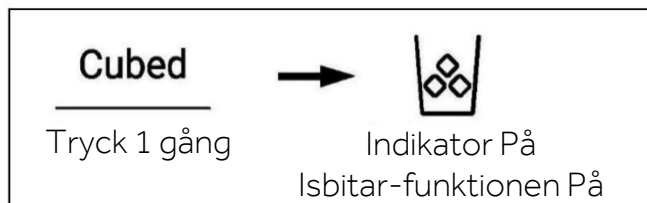


## Uppmärksamma

1. När indikatorn "h1" (Vattenutmatning-funktion) tänds släcks indikatorn "h2" (Isbitar-funktion) och indikatorn "h3" (Krossad is-funktion). När du trycker på dispenserspaken kommer vatten att rinna ut ur vattenutmatningsporten.
2. När tiden för vattenutmatning når 150 s kommer kylskåpet att pipa och hålla vatten tills tiden når 180 s, vattnet kommer att stängas av och vattenventilen går in i 200 s skyddstid, och sedan kan vattenutmatning utföras igen.
3. När den kumulativa vattenutmatningstiden når 5 min inom 10 min går vattenventilen in i 10 min skyddstid, och vattenutmatningen kan då utföras igen.

## Isbitar-funktion

I vilket läge som helst (låst eller olåst) trycker du på knappen "H2" (väljare för Isbitar-funktion), summern ringer en gång, indikatorn "h2" (Isbitar-funktion) tänds och sedan slås Isbitar-funktionen på.

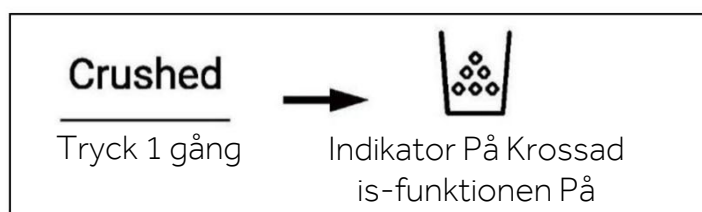


## Uppmärksamma

1. När indikatorn "h2" (Isbitar-funktion) lyser, slocknar indikatorn "h1" (Vattenutmatning-funktion) och indikatorn "h3" (Krossad is-funktion) slocknar. När mikrobrytaren på fördelaren har tryckts ned flödar krossad isbitar ut ur öppningen.
2. När ismaskinen först ansluts till el för att fungera, är Isbitar-funktionen avstängd som standard.
3. Tryck på dispenserns mikrobrytare, lampan tänds när locket är öppet. Därefter börjar motorn som krossar isen att rotera moturs för att trycka isbitar. Lossa mikrobrytaren på dispensern, motorn som krossar isen stannar, dispenserns lock stängs och lampan släcks efter 5 sekunder.
4. Om läget för Isbitar varar längre än 50 sekunder, kommer en summer att börja varna (knacka) för att meddela användarna att de ska stänga av den. När tiden når 1 minut tvingas den att stoppa läget Isbitar. Läget aktiveras igen nästa gång knappen trycks in.
5. Om kylskåpsdörren öppnas under läget Isbitar stannar motorn som levererar isen. Locket på dispensern är stängt och dispenserns lampa är släckt och läget Isbitar är stoppat.
6. Det är inte tillåtet att försöka mata ut is när kylskåpsdörren är öppen.

## Krossad is-funktion

I vilket läge som helst (låst eller olåst) trycker du på knappen "H3" (väljare för Krossad is-funktion), summern ringer en gång, indikatorn "h3" (Krossad is-funktion) tänds och Krossad is-funktionen slås på.



## Uppmärksamma

När indikatorn "h3" (Krossad is-funktion) lyser, slocknar indikatorn "h1" (Vattenutmatning-funktion) och indikatorn "h2" (Isbitar-funktion) slocknar. När mikrobrytaren på fördelaren har tryckts ned flödar krossad is ut ur öppningen.

Tryck på dispenserns mikrobrytare, lampan tänds när locket är öppet. Därefter börjar motorn som krossar isen att rotera medurs för att trycka isbitar. Lossa mikrobrytaren på dispensern, motorn som krossar isen stannar, dispenserns lock stängs och lampan släcks efter 5 sekunder.

Om läget för Krossad is varar längre än 50 sekunder, kommer en summer att börja varna (knacka) för att meddela användarna att de ska stänga av den. När tiden når 1 minut tvingas den att stoppa läget Krossad is. Läget aktiveras igen nästa gång knappen trycks in.

Om kylskåpsdörren under läget Krossad is stanna motorn som levererar isen om dispenserns lock är stängt och dispenserns lampa är släckt och läget Krossad is stoppas. Det är förbjudet att krossa is när kylskåpsdörren är öppen.

### Larm för öppen dörr

Om någon dörr hålls öppen för länge eller om dörren inte stängs ordentligt ger kylskåpet ifrån sig ett larm med bestämda intervaller för att påminna dig om att stänga dörren i tid.

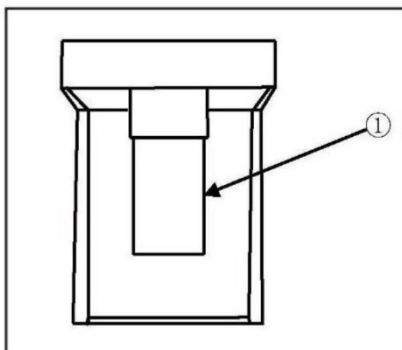
### Spara inställningar

Det momentana arbetsläget vid avstängning sparas. När du slår på strömmen igen fungerar apparaten som den gjorde innan strömmen stängdes av

### Använda is- och vattendispensern

Tryck på knappen för val av dispenser upprepade gånger tills lampan ovanför den indikator som du vill ha tänds.

Tryck på dispenserspaken (1) med ett glas eller annan behållare för att mata ut isbitar, vatten eller krossad is.

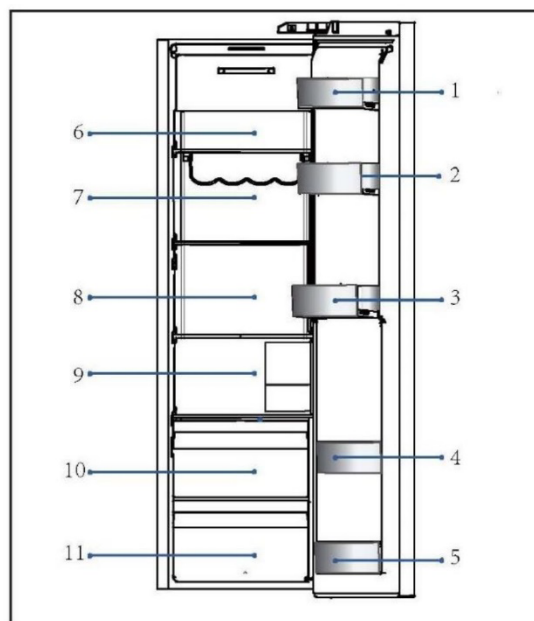


## TIPS OM FÖRVARING AV FÄRSK MAT

### Förvaring i kylskåpet

1. Håll ditt kylskåps temperatur under 5 °C.
2. Varm mat måste kylas ned till rumstemperatur innan den placeras i kylskåpet.
3. Matvaror som förvaras i kylskåp ska tvättas och torkas innan de förvaras.
4. Matvaror som ska förvaras bör förslutas ordentligt för att undvika att det börjar lukta eller ändrar smak.
5. Förvara inte alltför stora mängder livsmedel. För en mer homogen kylning ska utrymme lämnas mellan matvarorna så att kall luft kan cirkulera fritt
6. Mat som äts dagligen bör förvaras längst fram på hyllan.
7. Lämna ett mellanrum mellan matvarorna och de inre väggarna, så att luften kan cirkulera. Var noga med att inte förvara livsmedel mot den bakre väggen. De kan då frysa fast mot den. Undvik direktkontakt mellan mat (särskilt fet/oljig eller sur mat) och kylskåpets interiör, eftersom olja/syra kan fräta sönder materialet. Om du upptäcker spill från oljig/sur mat ska det tas bort snarast.
8. Frys fryst mat i kylförvaringsfacket. På så sätt kan du använda den frysta maten för att sänka temperaturen i facket och spara energi.
9. Åldringsprocessen för frukt och grönsaker, t.ex. zucchini, meloner, papaya, bananer, ananas osv. kan påskyndas i kylskåpet. Därför är det inte lämpligt att förvara dem i kylskåpet. Mogningsprocessen av starkt gröna frukter kan dock främjas under en viss tid. Lök, vitlök, ingefära och andra rotfrukter bör också förvaras vid rumstemperatur.
10. Obehagliga lukter inne i kylskåpet är ett tecken på att något har spillts ut och att man måste göra rent skåpet. Se avsnittet SKÖTSEL OCH RENGÖRING.
11. Olika livsmedel bör placeras i olika områden beroende på deras egenskaper:

- 1-Smör, ost osv.
- 2-Ägg, konserver, kryddor osv.
- 3/4/5-Dryck/livsmedel på flaska
- 6-Inlagd mat, konserver osv.
- 7/8-Köttprodukter, fisk, råa livsmedel
- 9-Burkar, mejeriprodukter osv.
- 10-Frukt, grönsaker, sallad osv.
- 11-Kokt kött, korv osv.

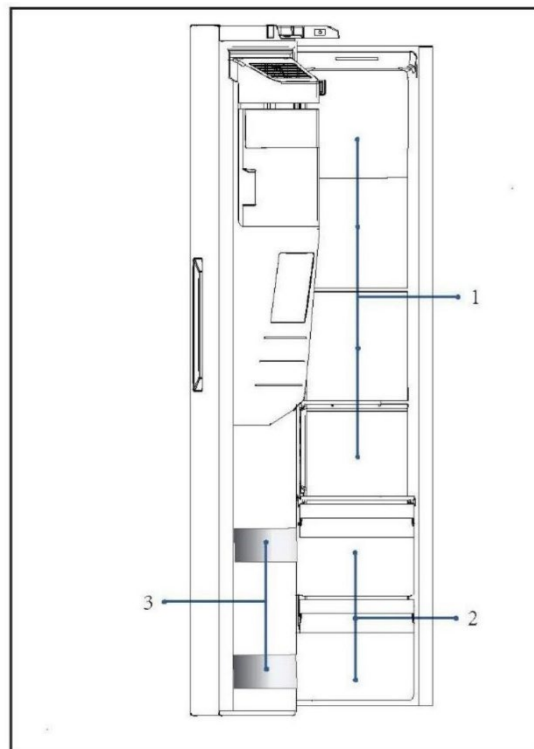


## TIPS OM FÖRVARING AV FÄRSK MAT

### Förvaring i frysdelen

1. Håll frystemperaturen på  $-18^{\circ}\text{C}$ .
2. 12 timmar innan du fryser in ytterligare livsmedel, aktivera Super-Freeze-funktionen; för små mängder mat räcker det med 4-6 timmar.
3. Het mat måste kylas ned till rumstemperatur innan den placeras i frysdelen.
4. Mat som delas upp i mindre portioner/bitar fryser snabbare och blir lättare att tina upp och tillaga. Den rekommenderade vikten per portion är mindre än 2,5 kg.
5. Det är bättre att förpacka maten innan den placeras i frysen. Förpackningens utsida måste vara torr för att undvika att påsarna klibbar ihop. Förpackningsmaterial ska vara luktfritt, lufttätt och giftfritt.
6. För att undvika att förvaringsperioderna löper ut bör du notera frysdatum, tidsgräns och namn på livsmedlet på förpackningen i enlighet med förvaringsperioderna för olika livsmedel.
7. **VARNING!** Syra, alkali och salt etc. kan fräta sönder frysens innerbeläggning. Placera inte livsmedel med dessa ämnen (t.ex. havsfisk) direkt på den inre ytan. Saltvatten i frysen ska tas bort omedelbart.
8. Överskrid inte de förvaringstider som rekommenderas av tillverkarna. Ta bara ut den nödvändiga mängden mat ur frysen.
9. Olika livsmedel bör placeras i olika områden beroende på deras egenskaper:

- 1- Mindre tunga livsmedel, t.ex. glass, grönsaker, bröd osv.
- 2- Stora/tyngre portioner mat, t.ex. köttbitar för stekning
- 3- Pizza osv.





## OBS! FÖRVARING

1. Håll ett avstånd på mer än 10 mm mellan maten och sensorn för att säkerställa kylningseffekten.
2. Lämna den nedersta lådan i apparaten under drift för att säkerställa kyleffekten.
3. Livsmedel som innehåller is (t.ex. glass) ska förvaras i frysdelen i stället för i flaskhållarna. De temperaturförändringar som flaskhållarna utsätts för när dörren öppnas och stängs kan tina maten.
4. Konsumera den tinade maten snabbt. Upptinade livsmedel kan inte frysas in igen om de inte först tillagas. De kan annars vara mindre ätbara.
5. Förvara inte mycket stora mängder färska matvaror i frysdelen. Se frysens fryskapacitet – Se avsnittet TEKNISKA DATA eller data på typskylten.
6. Mat kan förvaras i frysen vid en temperatur på minst  $-18^{\circ}\text{C}$  i 2 till 12 månader, beroende på typ av livsmedel (t.ex. kött: 3–12 månader, grönsaker: 6–12 månader)
7. När du fryser in färska livsmedel ska du undvika att de kommer i kontakt med redan frysta livsmedel. Risk för upptining!
8. Tina upp fryst mat i kylskåpet. På så sätt kan du använda den frysta maten för att sänka temperaturen i facket och spara energi.

### **När du förvarar kommersiellt frysta livsmedel bör du följa dessa riktlinjer:**

1. Följ alltid tillverkarnas riktlinjer för hur länge du ska förvara maten. Överskrid inte dessa riktlinjer!
2. Försök att hålla tiden mellan inköp och förvaring så kort som möjligt för att bevara livsmedlens kvalitet.
3. Köp fryst mat som har förvarats vid en temperatur på  $-18^{\circ}\text{C}$  eller lägre.
4. Undvik att köpa livsmedel som har is eller frost på förpackningen – det tyder på att produkterna delvis har tinats upp och sedan frysts igen. Detta påverkar kvaliteten på maten.



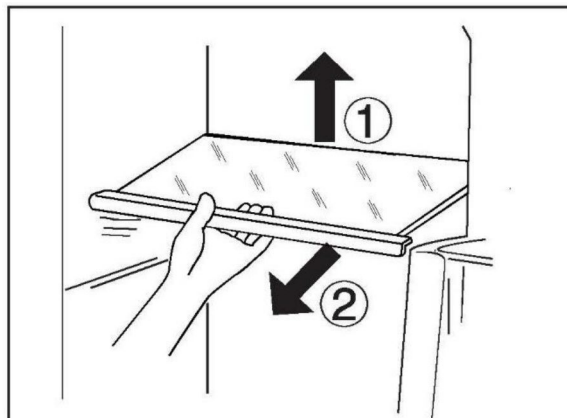


## Tips för att spara energi

- ▶ Se till att apparaten är ordentligt ventilerad (se avsnittet INSTALLATION).
- ▶ Installera inte apparaten i direkt solljus eller i närheten av värmekällor (t.ex. spisar, värmare).
- ▶ Undvik onödigt låga temperaturer i apparaten. Energiförbrukningen ökar ju lägre temperaturen i apparaten är inställd.
- ▶ Funktioner som POWER-FREEZE förbrukar mer energi.
- ▶ Låt varm mat svalna innan du placerar den i apparaten.
- ▶ Öppna apparatens dörr så lite och så kort som möjligt.
- ▶ Fyll inte på med för mycket för att inte hindra luftflödet.
- ▶ Undvik luft i livsmedelsförpackningen.
- ▶ Håll dörretätningarna rena så att dörren alltid stängs korrekt
- ▶ Frys fryst mat i kylförvaringsfacket.
- ▶ Den mest energibesparande konfigurationen kräver att apparaten håller lådor, matlådor och hyllor i fabriksfriskt skick, och att maten placeras så långt in som möjligt utan att blockera kanalens luftutsläpp.

### Justerbara hyllor

1. Hyllornas höjd kan justeras för att passa dina förvaringsbehov.
2. Om du vill flytta en hylla tar du först bort den genom att lyfta upp dess bakre kant ① och dra ut den ②.
3. För att återmontera den, sätt den på klackarna på båda sidorna och skjut den till det bakersta läget tills baksidan av hyllan är fast i skårorna på sidorna

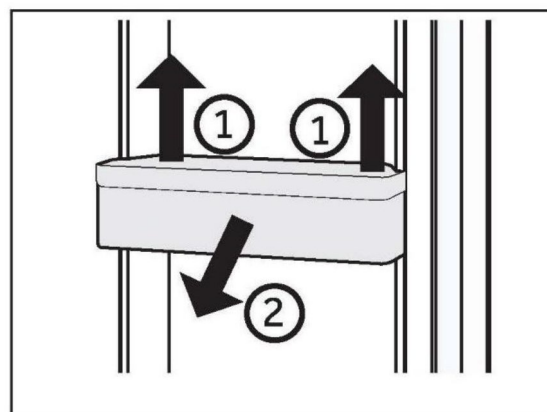


### **i** OBS!

Se till att hyllan ligger plant.

### Löstagbara dörrhyllor/flaskhållare

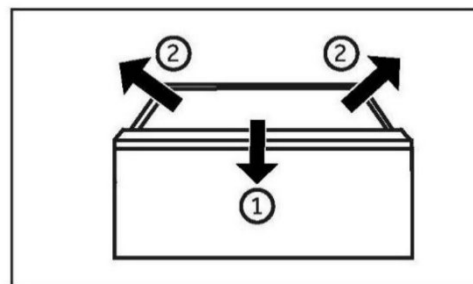
1. Dörrställen/flaskhållaren kan tas bort för rengöring:
2. Placera händerna på varje sida av hållaren/flaskhållaren, lyft den uppåt ① och dra ut den ②.
3. Sätt tillbaka dörrhyllan/flaskhållaren genom att göra på omvänt sätt



### Avtagbar låda

För att ta ut lådan, dra ut den maximalt ①, lyft och ta bort den ②.

Sätt tillbaka lådan genom att göra på omvänt sätt.



### Isbehållare

#### Stoppa produktionen av is

Om man inte ska använda is- och vattenfunktionen under en längre tid går att stänga av ventilen mellan vattentillförseln och apparaten.

Islådan ska rengöras, torkas och sättas tillbaka i apparaten för att förhindra att det börjar lukta illa.

## Ta bort isbehållaren

1. Ta tag i båda sidohandtagen.
2. Lyft upp behållaren.
3. Dra ut behållaren.

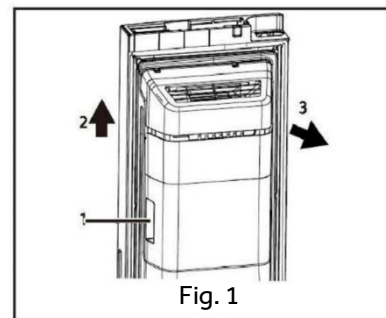


Fig. 1

## Sätt tillbaka isbehållaren

För att återmontera isbehållaren måste det U-formade fästet bakom isbehållaren (1 i fig .2) riktas in på motsvarande metallkonstruktion. Följ stegen i fig. 1 i omvänd ordning.

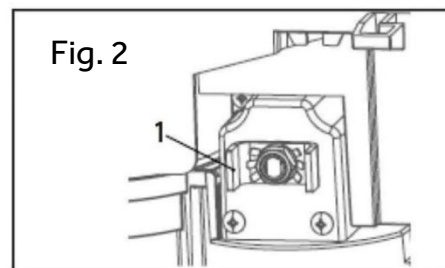


Fig. 2



### OBS!

Fukt kan kondensera och frysa islådan på plats.



### VARNING!

Innan rengöring ska apparaten kopplas bort från strömförsörjningen.

#### Rengöring

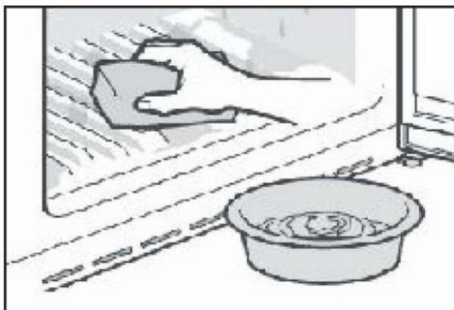
Rengör apparaten när det inte förvaras någon mat eller bara lite mat.

För god skötsel och för att undvika dålig lukt från förstörd mat bör apparaten rengöras var fjärde vecka.



### VARNING!

- ▶ Rengör inte apparaten med hårda borstar, stålborstar, rengöringsmedelspulver, bensin, amylacetat, aceton och liknande organiska lösningar, sura eller alkaliska lösningar. Rengör med ett speciellt rengöringsmedel för kylskåp för att undvika skador.
- ▶ Spruta eller spola inte i eller på apparaten under rengöringen.
- ▶ Använd inte vattenspray eller ånga för att rengöra apparaten.
- ▶ Rengör inte de kalla glashyllorna med hett vatten. Plötsliga temperaturförändringar kan göra att glaset spricker.
- ▶ Rör inte insidan av frysens förvaringsutrymme, särskilt inte med våta händer, eftersom dina händer kan frysa fast på ytan.
- ▶ Vid uppvärmning ska du kontrollera frysta varors tillstånd.



- ▶ Håll alltid dörrpackningen ren.
  - ▶ Rengör apparatens insida och hölje med en svamp fuktad med varmt vatten och neutralt rengöringsmedel.
1. Skrubba kylskåpets insida och utsida, inklusive dörrtätning, dörrhyllor, glashyllor, lådor och så vidare, med en mjuk handduk eller svamp doppad i varmt vatten (du kan tillsätta neutralt rengöringsmedel i det varma vattnet).
  2. Om det har spillts vätska, ta bort alla förorenade delar, skölj direkt med rinnande vatten, torka och ställ tillbaka den/dem i kylan.
  3. Om det finns spilld grädde (t.ex. grädde, smältande glass), ta bort alla förorenade delar, lägg dem i varmt vattnet (cirka 40 °C) under en tid, skölj sedan med rinnande vatten, torka och lägg tillbaka dem i kylskåpet.
  4. Om någon liten del eller komponent fastnar inuti kylan (mellan hyllor eller lådor), använd en liten mjuk borste för att lossa den. Om du inte kan nå delen, kontakta Haier service
- ▶ Skölj av och torka med en mjuk trasa.
  - ▶ Inga delar av apparaten får köras i diskmaskin.
  - ▶ Vänta i minst 5 minuter innan du startar apparaten igen. Frekventa startar kan skada kompressorn.

#### Avfrostning

Avfrostning av kyl- och frysutrymmet sker automatiskt: det krävs ingen manuell åtgärd.

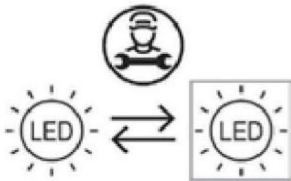
Byte av LED-lampor



### **VARNING!**

Byt inte LED-lampan själv. Den får endast bytas ut av tillverkaren eller en auktoriserad serviceverkstad.

Lamporna använder LED som ljuskälla, vilket ger låg energiförbrukning och lång livslängd. Om det finns något avvikelser, kontakta kundtjänsten. Se avsnittet KUNDTJÄNST.



Endast LED:en är utbytbar, ljuskällan måste bytas ut av elektriker.

Produkten innehåller en ljuskälla i energieffektivitetsklass G.

Fack	Spänning	Energieffektivitetsklass	Modell
Kylskåp	12V	G	HSW59F18DIMM
Frys	12V	G	HSW79F18DIPT
Bakre lampa	12V	G	HSW79F18DIPT

### **Rengöring av isbehållaren**

Rengör isbehållaren med jämna mellanrum med varmt vatten, särskilt om isbitarna blir gamla. Torka behållaren väl innan du sätter tillbaka den i apparaten så att isbitarna inte fastnar på väggarna.

### **Icke i bruk under längre tid**

Om apparaten inte används under en längre tid och du inte kommer att använda Holiday-funktionen för kylskåpet:

- ▶ Ta ut maten.
- ▶ Dra ut kontakten.
- ▶ Rengör apparaten enligt beskrivningen ovan.
- ▶ Håll dörrarna öppna för att förhindra att dåligt lukt bildas i skåpet.



### **OBS!**

Stäng endast av apparaten om det är absolut nödvändigt.



### Flytta apparaten

1. Ta ut alla matvaror och koppla ifrån apparaten.
2. Fäst hyllor och andra rörliga delar i kylan och i frysen med tejp.
3. För att undvika att kylsystemet skadas ska apparaten inte lutas mer än 45°.



### **VARNING!**

- ▶ Lyft inte apparaten i handtagen.
- ▶ Placera aldrig apparaten horisontellt på marken.

### Byte av filter

Vattenfiltret måste bytas ungefär var sjätte månad, när indikatorn "c3" (Filteråterställning-funktion) lyser.

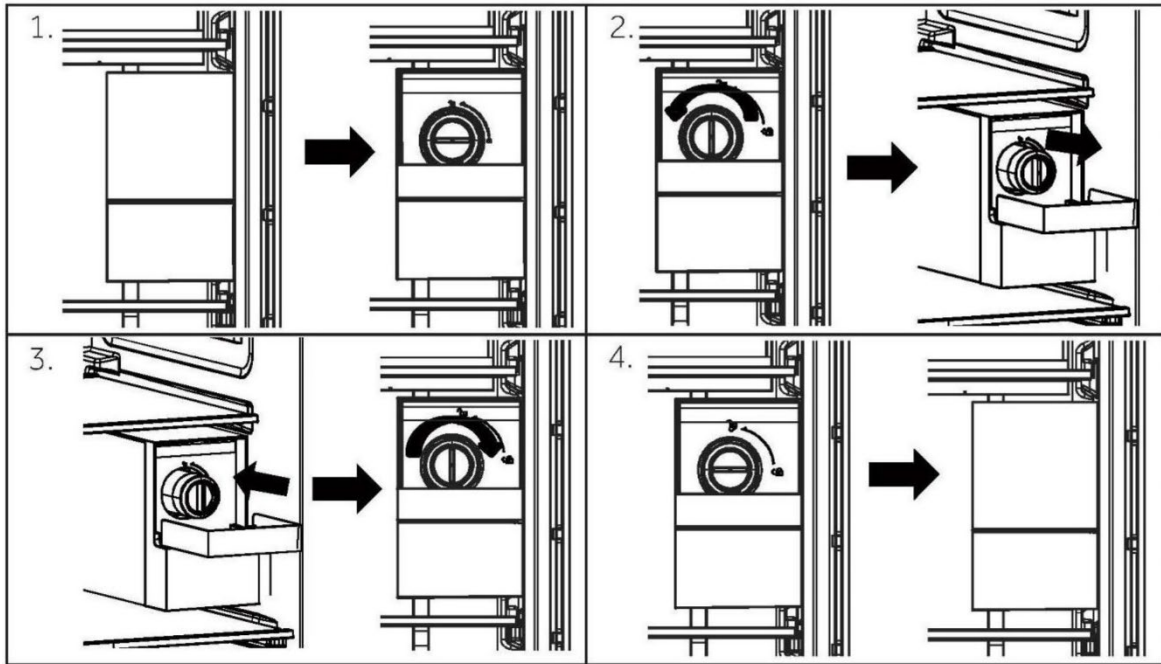
För att köpa ett ersättningsfilter:

- Använd ersättningspatron: HRXWF,
- Besök din lokala återförsäljare eller distributör. För ytterligare hjälp, besök vår webbplats på [www.haierespares.eu](http://www.haierespares.eu)



### **Uppmärksamma**

- ▶ När vattenfiltret byts ut rinner en liten mängd vatten (cirka 1 oz. eller 25 cc) ut.
  - ▶ Linda en trasa runt vattenfiltrets främre del för att samla upp eventuellt läckande vatten. Håll vattenfiltret upprätt när du tagit bort det för att förhindra att vatten som återstår rinner ut ur vattenfiltret.
1. Tryck ner i mitten på det övre locket och vänd nedåt.
  2. Ta bort engångsvattenfiltret.
  3. Byt ut mot ett nytt vattenfilter. Sätt i det nya filtret i filterhuvudet och vrid det medurs tills pilen på det nya filtret ligger i linje med pilen på filterhuvudet. Sväng tillbaka filtret i facket.
  4. Stäng locket till vattenfiltret.



5. Tryck och håll in knappen 3Sec. Filter Reset i 3 sekunder.
6. Häll ut vatten i cirka 5 minuter för att avlägsna instängd luft och föroreningar.



## FÖRSIKTIGHET!

- ▶ Om filtren inte byts ut vid behov eller om du använder vattenfilter som inte är auktoriserade av Haier kan filterpatronen läcka och leda till egendomsskador.

### Vattenfilter

#### Modell: Haier HRXWF

- ▶ Systemet är certifierat av IAPMO R&T enligt NSF/ANSI standarderna 42, 53, 401 och P473 för den minskning av kraven som anges i databladet för prestanda och iapmort.org.
- ▶ Den faktiska prestandan kan variera beroende på lokala vattenförhållanden.

#### Riktlinjer för tillämpning/parametrar för vattenförsörjning

Serviceflöde: 0,5 gpm (1,89 lpm)

Vattenförsörjning: Dricksvatten

Vattentryck: 25-120 psi (172-827 kPa)

Vattentemperatur: 0,6 °C-38 °C

Kapacitet: 643,5 liter (170 gallons)



Det är viktigt att tillverkarens rekommenderade krav på installation, underhåll och filterbyte uppfylls för att produkten ska fungera som den ska. Se installationshandboken för information om garantin.



### Uppmärksamma

Testerna har utförts under normala laboratorieförhållanden, men den faktiska prestandan kan variera. Byte av patron: HRXWF För uppskattade kostnader för utbyte av element besök vår webbplats på [www.haierspares.eu](http://www.haierspares.eu).



### VARNING!

- ▶ För att minska risken i samband med intag av föroreningar:
- ▶ Använd inte vatten som är mikrobiologiskt osäkert eller av okänd kvalitet utan tillräckligt desinfektion före och efter systemet. System certifierade för cystreduktion får användas för desinficerat vatten som kan innehålla filtrerbara cystor.



### Uppmärksamma

**För att minska risken för vattenläckage eller översvämning och för att säkerställa optimal filterprestanda:**

- ▶ Läs och följ bruksanvisningen före installation och användning av detta system.
- ▶ Installation och användning MÅSTE följa alla statliga och lokala VVS-bestämmelser.
- ▶ Installera inte om vattentrycket överstiger 120 psi (827 kPa). Om vattentrycket överstiger 80 kPa (552 kPa) måste du installera en tryckbegränsningsventil. Kontakta en VVS-montör om du är osäker på hur du ska kontrollera vattentrycket.
- ▶ Installera inte där vattenslag kan uppstå. Om det förekommer vattenslag måste du installera en tryckreducerare. Kontakta en VVS-montör om du är osäker på hur du ska kontrollera detta tillstånd.
- ▶ Installera inte på varmvattenledningar. Den högsta vattentemperaturen för detta filtersystem är 38 °C.
- ▶ Skydda filtret från frysning. Töm filtret när temperaturen sjunker under 0,6 °C.
- ▶ Byt engångsfilterpatronen var sjätte månad eller tidigare om du ser en märkbar minskning av vattenflödet.
- ▶ Om engångsfilterpatronen inte byts ut med rekommenderade intervall kan leda till minskad filterprestanda och sprickor i filterhuset, vilket kan orsaka vattenläckage eller översvämning.
- ▶ Detta system har testats enligt NSF/ANSI 42, 53, 401 och P473 för minskning av de ämnen som anges nedan. Koncentrationen av de angivna ämnena i vatten som kommer in i systemet reducerades till en koncentration som är mindre än eller lika med den tillåtna gränsen för vatten som lämnar systemet, enligt NSF/ANSI 42, 53, 401 och P473.



Många problem som uppstår kan du lösa själv utan särskild expertis. Vid problem, kontrollera listade möjligheter och följ instruktionerna nedan innan du kontaktar en kundtjänst. Se KUNDTJÄNST.



## VARNING!

- ▶ Före underhåll ska du stänga av apparaten och dra ut nätkontakten ur eluttaget.
- ▶ Elektrisk utrustning bör endast underhållas av kvalificerade eltekniker, eftersom felaktiga reparationer kan orsaka betydande följdskador.
- ▶ En skadad nätkontakt får endast bytas ut av tillverkaren dess serviceagent eller liknande kvalificerade personer för att undvika fara.

Problem	Möjlig orsak	Möjlig lösning
Kompressorn fungerar inte.	<ul style="list-style-type: none"> <li>• Nätkontakten är inte ansluten till eluttaget.</li> <li>• Apparaten är i avfrostningscykeln</li> </ul>	<ul style="list-style-type: none"> <li>• Anslut nätkontakten.</li> <li>• Detta är normalt för en automatisk avfrostning</li> </ul>
Apparatens körs ofta eller kör för länge.	<ul style="list-style-type: none"> <li>• Den invändiga eller utvändiga temperaturen är för hög.</li> <li>• Apparaten har varit utan ström under en tid.</li> <li>• En dörr i apparaten är inte helt stängd.</li> <li>• Dörren har öppnats för ofta eller för länge.</li> <li>• Temperaturinställningen för frysdelen är för låg.</li> <li>• Dörrpackningen är smutsig, sliten, sprucken eller felanpassad.</li> <li>• Den nödvändiga luftcirkulationen är inte garanterad.</li> </ul>	<ul style="list-style-type: none"> <li>• I detta fall är det normalt att apparaten kör längre.</li> <li>• Det tar vanligtvis 8 till 12 timmar för apparaten att helt kylas ned.</li> <li>• Stäng dörren/lådan och säkerställ att apparaten är placerad på en plan mark och att det inte finns någon mat eller behållare som förhindrar att dörren stängs.</li> <li>• Öppna inte dörren/lådan för ofta.</li> <li>• Ställ in temperaturen högre tills en tillfredsställande kyltemperatur uppnås. Det tar 24 timmar för kylens temperatur att bli stabil.</li> <li>• Rengör dörr/lådpackningen eller byt ut dem av kundtjänsten.</li> <li>• Säkerställ tillräcklig ventilation.</li> </ul>
Det är smutsigt/luktar illa inuti kylskåpet.	<ul style="list-style-type: none"> <li>• Kylskåpet behöver rengöras.</li> <li>• Mat som luktar starkt förvaras i kylskåpet.</li> </ul>	<ul style="list-style-type: none"> <li>• Rengör kylskåpets insida.</li> <li>• Förpacka maten ordentligt.</li> </ul>



Problem	Möjlig orsak	Möjlig lösning
Apparaten låter konstigt.	<ul style="list-style-type: none"><li>• Apparaten är inte placerad på en plan yta.</li><li>• Apparaten rör vid något föremål runt omkring den.</li></ul>	<ul style="list-style-type: none"><li>• Justera fötterna för att nivellera apparaten.</li><li>• Ta bort föremål runt apparaten.</li></ul>
Det är inte tillräckligt kallt inuti apparaten.	<ul style="list-style-type: none"><li>• Temperaturen är inställd för högt. För varma varor har förvarats.</li><li>• För mycket mat har lagrats på en gång.</li><li>• Varorna ligger för nära varandra.</li><li>• En dörr/låda i apparaten är inte helt stängd.</li><li>• Dörren/lådan har öppnats för ofta eller för länge.</li></ul>	<ul style="list-style-type: none"><li>• Återställ temperaturen.</li><li>• Kyl alltid ner varor innan du förvarar dem.</li><li>• Förvara alltid små mängder mat.</li><li>• Lämna ett mellanrum mellan varorna så att luften kan flöda.</li><li>• Stäng dörren/lådan.</li><li>• Öppna inte dörren/lådan för ofta.</li></ul>
Det är för kallt inuti apparaten.	<ul style="list-style-type: none"><li>• Temperaturen är inställd för lågt. Funktionen Super-Frz/ Super-Cool är aktiverad eller körs för länge.</li></ul>	<ul style="list-style-type: none"><li>• Återställ temperaturen.</li><li>• Stäng av funktionen Super-Frz/ Super-Cool</li></ul>
Det finns fuktbildningar i kyldelen.	<ul style="list-style-type: none"><li>• Klimatet är för varmt och för fuktigt.</li><li>• En dörr/låda i apparaten är inte helt stängd.</li><li>• Dörren/lådan har öppnats för ofta eller för länge.</li><li>• Behållare med mat eller vätskor är öppna.</li></ul>	<ul style="list-style-type: none"><li>• Öka temperaturen.</li><li>• Stäng dörren/lådan.</li><li>• Öppna inte dörren/lådan för ofta.</li><li>• Låt heta matvaror svalna till rumstemperatur och förpacka mat och vätska.</li></ul>
Det ansamlas fukt på kylskåpets utsida eller mellan dörrar/dörr och låda.	<ul style="list-style-type: none"><li>• Klimatet är för varmt och för fuktigt.</li><li>• Dörren är inte ordentligt stängd. Den kalla luften i apparaten och den varma luften utanför kondenserar.</li></ul>	<ul style="list-style-type: none"><li>• Detta är normalt i fuktigt klimat och kommer att ändras när luftfuktigheten minskar.</li><li>• Säkerställ att dörren/lådan är helt stängd.</li></ul>



Problem	Möjlig orsak	Möjlig lösning
Is- och frostbildning i frysdelen.	<ul style="list-style-type: none"> <li>• Matvarorna var inte ordentligt förpackade.</li> <li>• En dörr/låda i apparaten är inte helt stängd.</li> <li>• Dörren/lådan har öppnats för ofta eller för länge.</li> <li>• Dörrens/lådans packning(ar) är smutsig(a), sliten(na), sprucken(na) eller felanpassad(e).</li> <li>• Något på insidan hindrar dörren/lådan från att stänga ordentligt.</li> </ul>	<ul style="list-style-type: none"> <li>• Förpacka alltid matvarorna väl.</li> <li>• Stäng dörren/lådan.</li> <li>• Öppna inte dörren/lådan för ofta.</li> <li>• Rengör dörrens/lådans packning(ar) eller byt ut den/dem mot nya.</li> <li>• Flytta om hyllorna, dörrhyllorna eller de inre behållarna så att dörren/lådan kan stängas.</li> </ul>
Sidorna på skåpet och dörrlisten blir varma.	<ul style="list-style-type: none"> <li>• -</li> </ul>	<ul style="list-style-type: none"> <li>• Det är normalt.</li> </ul>
Apparaten låter konstigt.	<ul style="list-style-type: none"> <li>• Apparaten är inte placerad på en plan yta.</li> <li>• Apparaten rör vid något föremål runt omkring den.</li> </ul>	<ul style="list-style-type: none"> <li>• Justera fötterna för att nivellera apparaten.</li> <li>• Ta bort föremål runt apparaten.</li> </ul>
Ett svagt ljud hörs som liknar det från rinnande vatten.	<ul style="list-style-type: none"> <li>• -</li> </ul>	<ul style="list-style-type: none"> <li>• Det är normalt.</li> </ul>
Du hör ett larm.	<ul style="list-style-type: none"> <li>• Kylskåpsdörren är öppen.</li> </ul>	<ul style="list-style-type: none"> <li>• Stäng dörren.</li> </ul>
Du hör ett svagt brummande.	<ul style="list-style-type: none"> <li>• Systemet mot kondensering fungerar</li> </ul>	<ul style="list-style-type: none"> <li>• Detta förhindrar kondensering och är normalt</li> </ul>
Invändig belysning eller kylsystem fungerar inte.	<ul style="list-style-type: none"> <li>• Nätkontakten är inte ansluten till eluttaget.</li> <li>• Strömförsörjningen är inte intakt.</li> <li>• LED-lampan är sönder.</li> </ul>	<ul style="list-style-type: none"> <li>• Anslut nätkontakten.</li> <li>• Kontrollera elförsörjningen i rummet. Ring det lokala elbolaget!</li> <li>• Kontakta kundservice för byte av lampa.</li> </ul>
Vatten läcker eller droppar från vattendispenserns pip.	<ul style="list-style-type: none"> <li>• Vattentanken är inte korrekt installerad</li> <li>• Vattendispenserns pip är inte fastskruvad i tanken.</li> <li>• Den vita O-ringen av silikon saknas i vattenpipen.</li> </ul>	<ul style="list-style-type: none"> <li>• Skjut in vattentanken i kylskåpsdörren och se till att den korrekt placerad.</li> <li>• Vattenpipen skruvas fast i vattentanken.</li> <li>• Kontrollera att vattenpipen har en vit O-ring av kisel vid tankänden innan du monterar vattenpipen på vattentanken.</li> </ul>



För att kontakta teknisk assistans, besök vår webbplats: <https://corporate.haier-europe.com/en/> Under stycket "Webbplats", välj märket på din produkt och ditt land. Du kommer att omdirigeras till den specifika webbplatsen där du hittar telefonnummer och formulär för att kontakta teknisk assistans.

## Strömavbrott

I händelse av ett strömavbrott bör maten förbli säkert kall i cirka 5 timmar. Följ dessa tips under längre strömavbrott, speciellt under sommaren:

- ▶ Öppna dörren/lådan så få gånger som möjligt.
- ▶ Sätt inte in mer mat i apparaten under strömavbrottet.
- ▶ Om ett strömavbrott meddelas i förväg och avbrottet är längre än 5 timmar, gör lite is och lägg den i en behållare högst upp i kyldelen.
- ▶ En inspektion av varorna krävs omedelbart efter avbrottet.
- ▶ Eftersom temperaturen i kylskåpet stiger under ett strömavbrott, eller annat fel, minskar förvaringstiden och matens kvalitet. För att förhindra hälsorisker bör all mat som tinats upp antingen konsumeras eller tillagas och frysas igen omedelbart (om så är lämpligt).



### **OBS! Minnesfunktion vid strömavbrott**

När strömmen återställs fortsätter apparaten med de inställningar som gjordes innan strömavbrottet.

## Uppackning



### VARNING!

- ▶ Apparaten är tung. Var alltid minst två personer vid hantering av apparaten.
- ▶ Förvara allt förpackningsmaterial utom räckhåll för barn och kassera det på ett miljövänligt sätt.
- ▶ Ta ut apparaten ur förpackningen.
- ▶ Avlägsna allt förpackningsmaterial.

## Miljöförhållanden

Rumstemperaturen bör alltid ligga mellan 10 °C och 43 °C, eftersom den kan påverka temperaturen i apparaten och dess energiförbrukning. Apparaten ska inte installeras nära andra värmeavgivande apparater (ugnar, kylskåp) utan isolering.

- Utökad tempererad (SN): denna kylapparat är avsedd att användas vid omgivningstemperaturer från 10 °C till 32 °C.
- Tempererad (N): denna kylapparat är avsedd att användas vid omgivningstemperaturer från 16 °C till 32 °C.
- Subtropisk (ST): denna kylapparat är avsedd att användas vid omgivningstemperaturer från 16 °C till 38 °C.

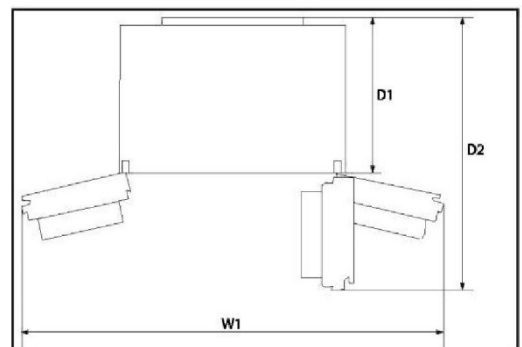
## Utrymme som krävs

Nödvändigt utrymme när dörren öppnas:

B1 = 157,8 cm

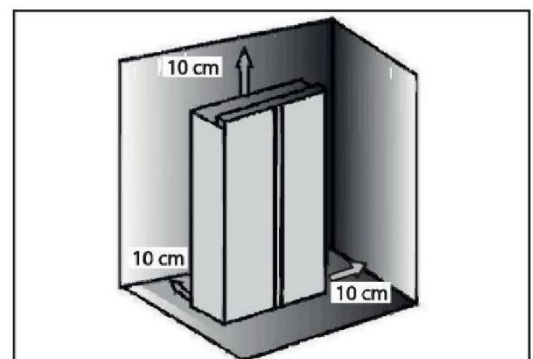
D1 = 62,9 cm

D2 = 117,5 cm



## Ventilationstvärsnitt

För att uppnå tillräcklig ventilation av apparaten av säkerhetsskäl måste informationen om nödvändiga ventilationstvärsnitt följas.

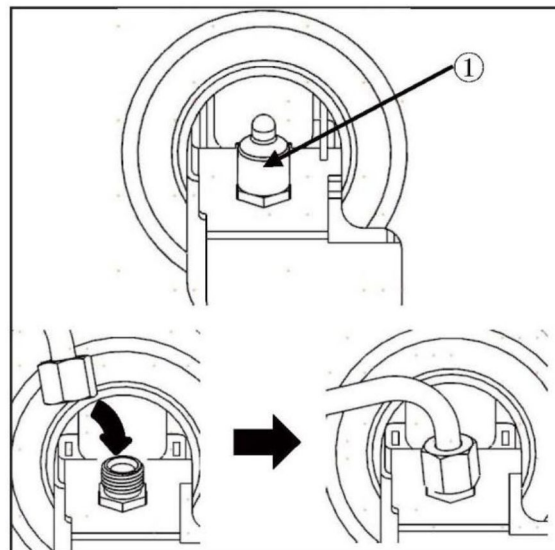


### OBS!

För fristående apparater: denna kylanordning är inte avsedd att användas som en inbyggd apparat.

## Ansluta vatten till apparaten

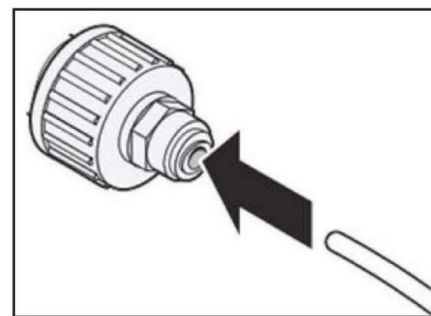
1. Ta bort gummipluggen (1) från vatteninloppsventilen.
2. Tryck fast vattenslangen på vatteninloppsventilen och dra åt flänsmuttern. Vattenledningen måste kapas på mitten för användning. Den andra delen används som reservdel.



## Anslutning till vattenkranen

Denna funktion är endast tillgänglig på vissa modeller.

1. Skjut in vattenslangen i hålet på krananslutningen som medföljer tillbehören. Röret ska hållas stadigt medan kopplingen trycks på röret.
  2. Se till att gummibrickan är monterad på insidan av krananslutningen innan du skruvar fast den på kranen.
- En separat koppling eller adapter kan behöva köpas om din kranarmatur inte matchar gängstorleken på den medföljande kopplingen.



## Kontrollera vattenanslutningen

Denna funktion är endast tillgänglig på vissa modeller.

- Slå på vattentillförseln och slå på apparaten. Kontrollera noggrant alla kopplingar för att se om det kan läcka på grund av dåligt monterade slangar.
- Tryck och håll in knappen 3Sec. Filter Reset i tre sekunder. Det nya vattenfiltret har aktiverats.
- Placera en kopp under vattendispensern för att kontrollera att vatten rinner genom apparaten.
- Kontrollera ännu en gång att det inte finns några läckor i anslutningsröret.



## VARNING!

- ▶ Se till att anslutningarna alltid är fasta, torra och läckagefria.
- ▶ Se till att slangen aldrig är krossad, böjd eller vriden.

### Nivellering av apparaten

Apparaten ska placeras på en plan och fast yta.

1. Luta apparaten lätt bakåt (fig. 7).
2. Ställ in fötterna på önskad nivå. Se till att avståndet till väggen på gångjärnssidorna är minst 10 cm.
3. Stabiliteten kan kontrolleras genom att växelvis stöta på diagonalerna. Den svaga svängningen ska vara lika stor i båda riktningarna. Annars kan ramen skeva, vilket kan leda till läckande dörrtätningar. En låg tendens bakåt underlättar stängningen av dörrarna.

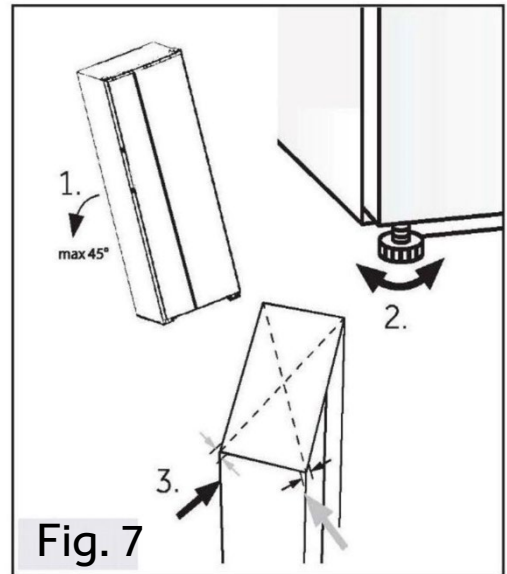


Fig. 7

### Finjustering av dörrarna

Om dörrarna fortfarande inte är i korrekt nivå efter att dörrarna har jämnats ut med fötterna, kan man vrida gångjärnslyftets axel i kyldörrens högra nedre hörn med en skiftnyckel (fig. 8)

Vrid lyftaxeln med en skiftnyckel medurs för att sänka dörrhöjden (fig. 9).

Vrid lyftaxeln med en skiftnyckel moturs för att höja dörren (fig. 10).

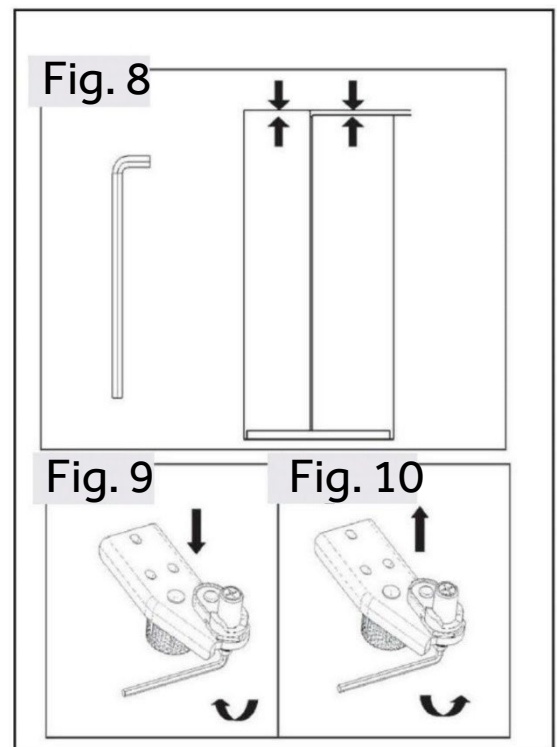


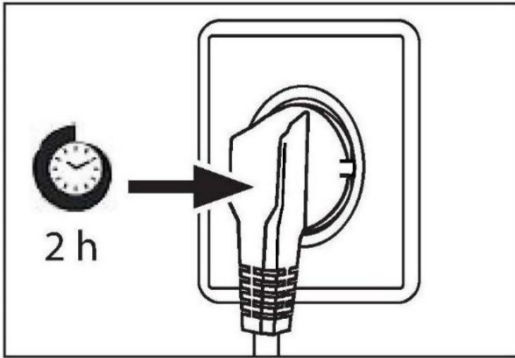
Fig. 8

Fig. 9

Fig. 10

**VARNING!**

Justera inte gångjärnets axel för mycket till en höjd som kan leda till att axeln lämnar sitt ursprungliga låsta läge. (Justerbart höjdområde: 3 mm)

**Väntetid**

Till den underhållsfria smörjoljan finns i kompressorns kapsel. Denna olja kan tränga igenom det slutna rörsystemet under den lutande transporten. Innan du ansluter apparaten till elnätet måste du vänta i minst 2 timmar så att oljan kan rinna tillbaka till kapseln.

**Elanslutning****Kontrollera före varje anslutning att:**

- ▶ Strömförsörjning, uttag och säkringar överensstämmer med typskylten.
- ▶ Eluttaget är jordat och att det inte finns någon flervägskontakt eller förlängningar.
- ▶ Nätkontakten och uttaget är i enlighet med gällande bestämmelser.

Anslut kontakten till ett korrekt installerat hushållsuttag.

**VARNING!**

För att undvika risker måste en skadad nätsladd bytas ut av kundtjänst (se garantikortet).

**Borttagning och montering av dörrar**

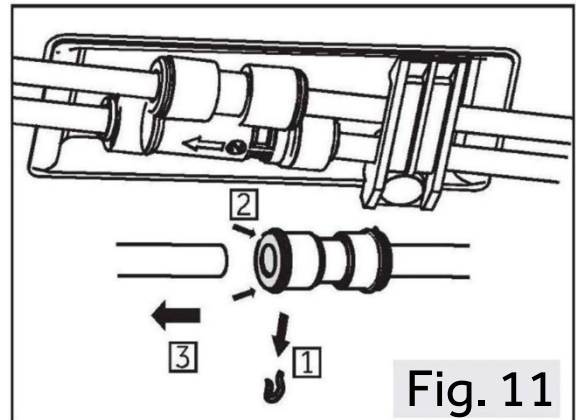
Om du behöver ta bort apparatens dörrar, följ instruktionerna för borttagning och montering av dörrar här nedan.

**VARNING!**

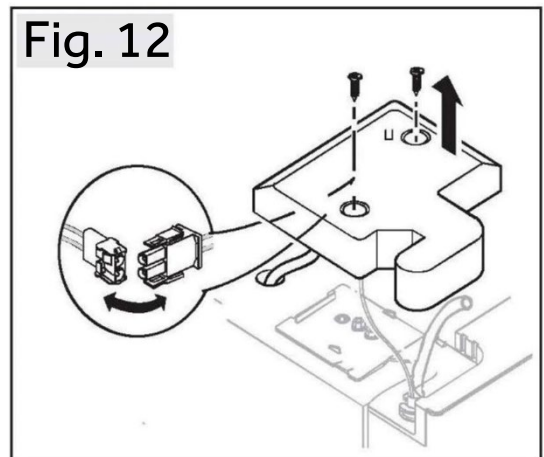
- ▶ För varje åtgärd ska du stänga av apparaten och dra ut stickkontakten ur vägguttaget.
- ▶ Blockera vattentillförseln.
- ▶ Apparaten är tung. Var alltid minst två personer vid hantering av apparaten.
- ▶ Luta inte apparaten mer än 45 grader eller placera den horisontellt på marken.
- ▶ Dörren kan välta och orsaka skada. Var mycket uppmärksam vid borttagning och montering av dörrar.



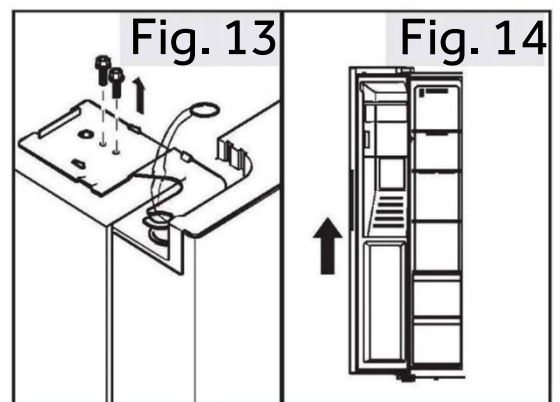
1. Lossa den vänstra sidan på de två vattenkopplingarna i det främre vänstra hörnet längst ner på apparaten: tryck och håll in kragen enligt bilden och ta bort vattenröret. (Fig. 11).



2. Lossa skruven på gångjärnsåpan och ta bort locket (fig. 12). När du tar bort frysdörren ska du koppla bort alla ledningar utom jordledningen.



3. Lossa skruvarna som håller det övre gångjärnet på plats och ta sedan bort gångjärnet (fig. 13).
4. Lyft upp dörren för att ta bort den (fig. 14). När du tar bort frysdörren ska du lyfta den tillräckligt högt för att kunna dra ut vattenanslutningen från apparatens botten.
5. Montera tillbaka dörren genom att utföra stegen i omvänd ordning. Se till att jordkabeln fästs med skruven.
6. Sätt tillbaka vattenanslutningen.




## OBS! Kylskåpsdörr

Bilderna visar hur du tar bort dörren till frysfacket. För kylskåpsdörren använder du motsvarande delar på den andra sidan.



Produktblad enligt förordning EU nr 2019/2016

Varumärke	Haier
Modellnamn/identifierare	HSW59F18DIMM HSW79F18DIPT
Kategori	Kyl- och frysskåp
Energieffektivitetsklass	D
Årlig energiförbrukning (kWh/år) <sup>(1)</sup>	267
Total volym (l)	601
Volym för kylskåp (l)	391
Volym för frysskåp (l)	206
Volym förvaringsfack för is (2-stjärnig) (l)	4
Stjärnklassificering	
Temperatur i övriga fack > 14 °C	Ej tillämpbar
Frostfritt system	Ja
Fryskapacitet (kg/24h)	10
Klimatklassificering <sup>(2)</sup>	SN-N-ST
Bulleremissionsklass och luftburet akustiskt buller (db(A) re 1pW)	C(36)
Temperaturstegringstid (h)	5
Istillverkningskapacitet	0,8 kg/24h
Typ av apparat	fristående



Förklaringar:

- Egenskaper

- (1) Baserat på resultaten av testet av standardöverensstämmelse under 24 timmar.  
Den faktiska förbrukningen beror på hur apparaten används och var den är placerad.
- (2) Klimatklassificering SN: Den här apparaten är avsedd att användas i en omgivningstemperatur på mellan +10 °C och +32 °C  
Klimatklassificering N: Den här apparaten är avsedd att användas i en omgivningstemperatur på mellan +16 °C och +32 °C  
Klimatklassificering ST: Den här apparaten är avsedd att användas i en omgivningstemperatur på mellan +16 °C och +38 °C

Ytterligare tekniska uppgifter

Spänning / frekvens	220-240V~/50Hz
Ingångsström (A)	1.8
Ineffekt för avfrostning (W)	220
Huvudsäkring (A)	15
Kylvätska	R600a
Mått (H/B/D i mm)	1775/905/726



Vi rekommenderar vår Haier-kundtjänst och användning av originalreservdelar.  
Om du har problem med din apparat, kontrollera först avsnittet FELSÖKNING.

Om du inte hittar en lösning där kontakta

- ▶ din lokala återförsäljare eller
- ▶ vårt European Call Service-Center (se angivna telefonnummer nedan) eller
- ▶ Service & Support-området på [www.haier.com](http://www.haier.com) där du kan aktivera
- ▶ serviceanspråket och hitta vanliga frågor och svar.

Om du vill kontakta vår tjänst ska du se till att du har följande uppgifter tillgängliga.  
Informationen finns på typskylten.

Modell \_\_\_\_\_

Serienummer. \_\_\_\_\_

Kontrollera även det garantikort som medföljer produkten i händelse av garanti.

European Call Service-Center		
Land*	Telefonnummer	Pris
Haier Italy (IT)	199 100912	
Haier Spain (ES)	902 509 123	
Haier Germany (DE)	0180539 39 99	<ul style="list-style-type: none"><li>• 14 Ct/min på fast linje</li><li>• max 42 Ct/min på mobil linje</li></ul>
Haier Austria (AT)	0820 001 205	<ul style="list-style-type: none"><li>• 14,53 Ct/min på fast linje</li><li>• max 20 Ct/min på alla andra</li></ul>
Haier United Kingdom (UK)	0333 003 8122	
Haier France (FR)	0980 406 409	



\*För andra länder, se [www.haier.com](http://www.haier.com)

Haier Europe Trading S.r.l

Filial i Storbritannien

Westgate House, Westgate, Ealing

London, W5 1YY

\*Garantins giltighetstid för apparaten:

Minsta garantiperiod är: 2 år för EU-länder, 3 år för Turkiet, 1 år för Storbritannien, 1 år för Ryssland, 3 år för Sverige, 2 år för Serbien, 5 år för Norge, 1 år för Marocko, 6 månader för Algeriet, ingen juridisk garanti krävs i Tunisien.

\*Perioden för reparation av apparatens reservdelar:

Termostater, temperaturgivare, kretskort och ljuskällor finns tillgängliga under minst sju år efter det att den sista enheten av samma modell har släppts på marknaden.

Dörrhandtag, dörrgångjärn, brickor och korgar under minst sju år och dörrpackningar under minst tio år efter att den sista enheten av samma modell har släppts på marknaden.

\*För mer information om produkten, se <https://eprel.ec.europa.eu/> eller skanna QR-koden på energimärkningen bifogad med apparaten.



# Haier

2023 Version A



0060535837